

US00D505410S

(12) **United States Design Patent**
Sugiyama

(10) **Patent No.:** **US D505,410 S**
(45) **Date of Patent:** **** May 24, 2005**

(54) **COMBINED DISC PLAYER, RADIO RECEIVER, AND TAPE RECORDER**

D455,415 S 4/2002 Suzuki
D467,569 S 12/2002 Kobayashi
D488,797 S 4/2004 Hioki

(75) Inventor: **Naoki Sugiyama, Tokyo (JP)**

OTHER PUBLICATIONS

(73) Assignee: **Sony Corporation, Tokyo (JP)**

Web page "LBT-XGV50" <http://www.sony.com.mx/corporate?page=productosDetalles&top=714&model=LBT-XGV50> 1 sheet, Sony (Mar. 2004).

(**) Term: **14 Years**

* cited by examiner

(21) Appl. No.: **29/201,176**

Primary Examiner—Nanda Bondade

(22) Filed: **Mar. 12, 2004**

(74) *Attorney, Agent, or Firm*—Rader, Fishman & Grauer PLLC

(51) **LOC (7) Cl.** **14-01**

(52) **U.S. Cl.** **D14/168**

(58) **Field of Search** D14/135-136,
D14/160-168, 188, 197-198, 156-157;
455/100, 344, 346-351, 157.1; 369/75.1,
75.2, 77.2

(57) **CLAIM**

The ornamental design for a combined disc player, radio receiver, and tape recorder, as shown.

DESCRIPTION

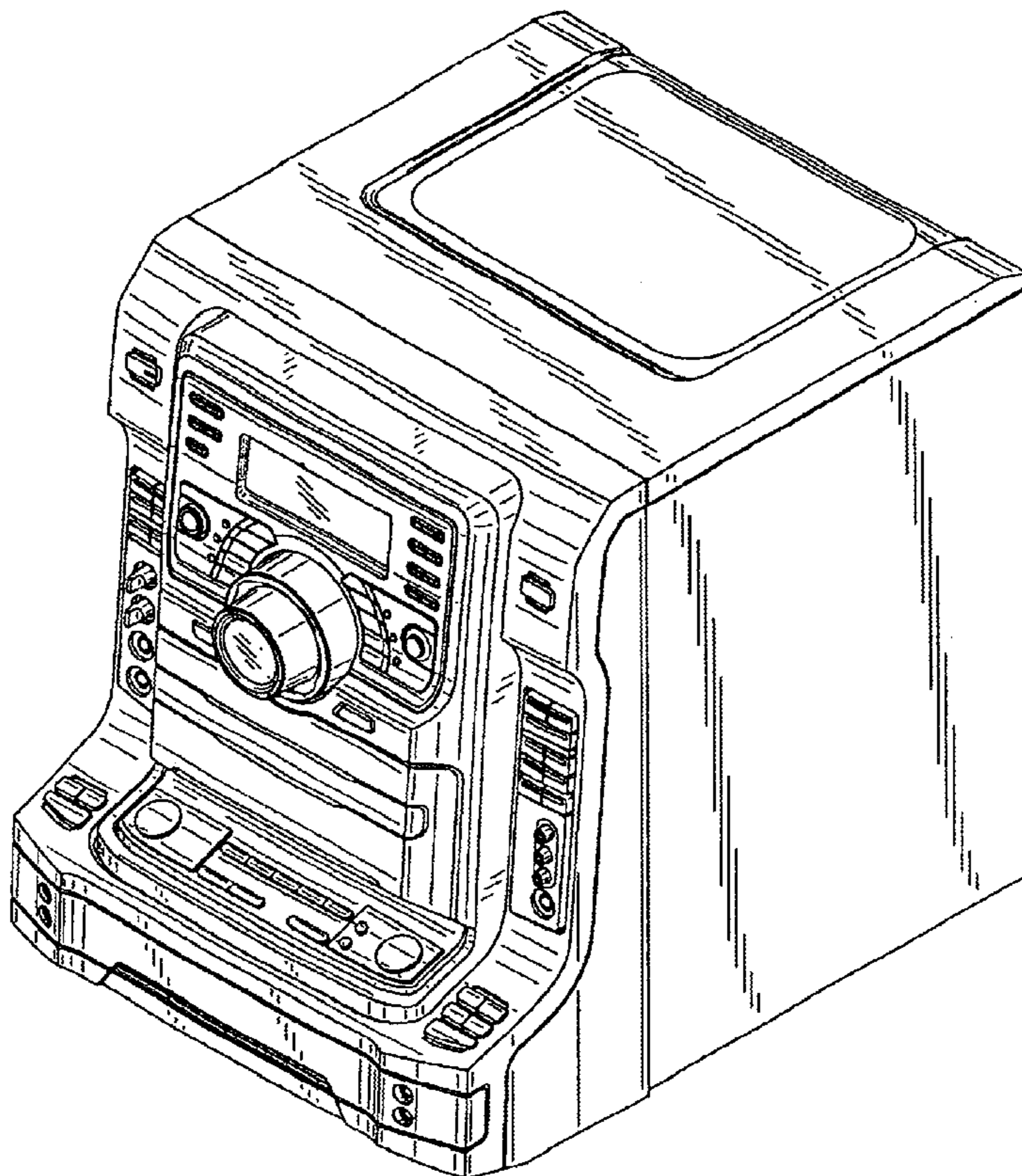
(56) **References Cited**

U.S. PATENT DOCUMENTS

D384,068 S	*	9/1997	Yoneda	D14/168
D423,007 S		4/2000	Shintani		
D424,058 S		5/2000	Shudo		
D425,891 S	*	5/2000	Matsuoka	D14/168
D435,535 S		12/2000	Shudo et al.		
D436,944 S		1/2001	Narita		
D452,685 S		1/2002	Masui		
D452,852 S		1/2002	Hyogo et al.		

FIG. 1 is a perspective view of a combined disc player, radio receiver, and tape recorder showing my new design; FIG. 2 is a front elevational view thereof; FIG. 3 is a rear elevational view thereof; FIG. 4 is a left side elevational view thereof; FIG. 5 is a right side elevational view thereof; FIG. 6 is a top plan view thereof; and, FIG. 7 is a bottom plan view thereof.

1 Claim, 4 Drawing Sheets



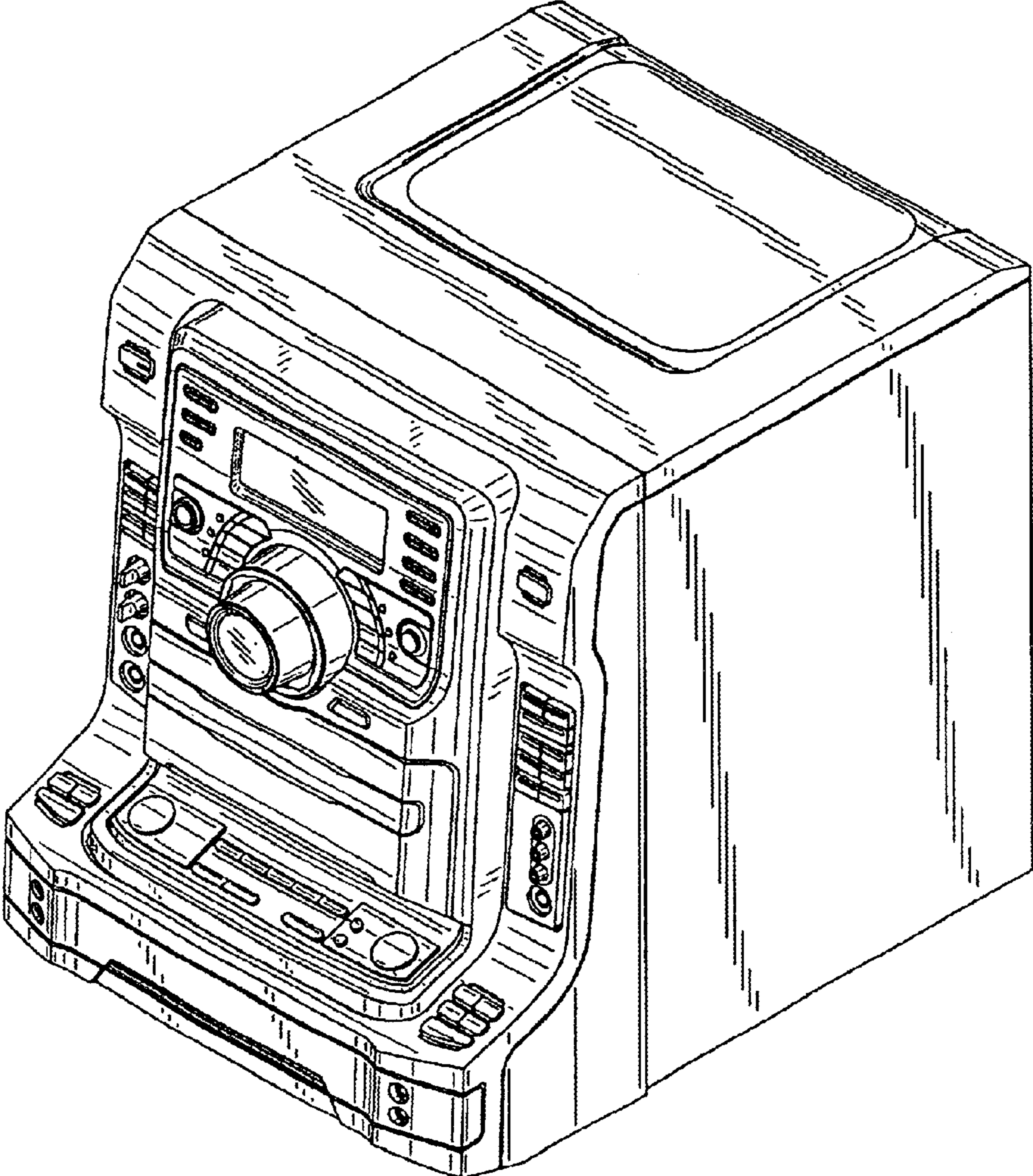


FIG. 1

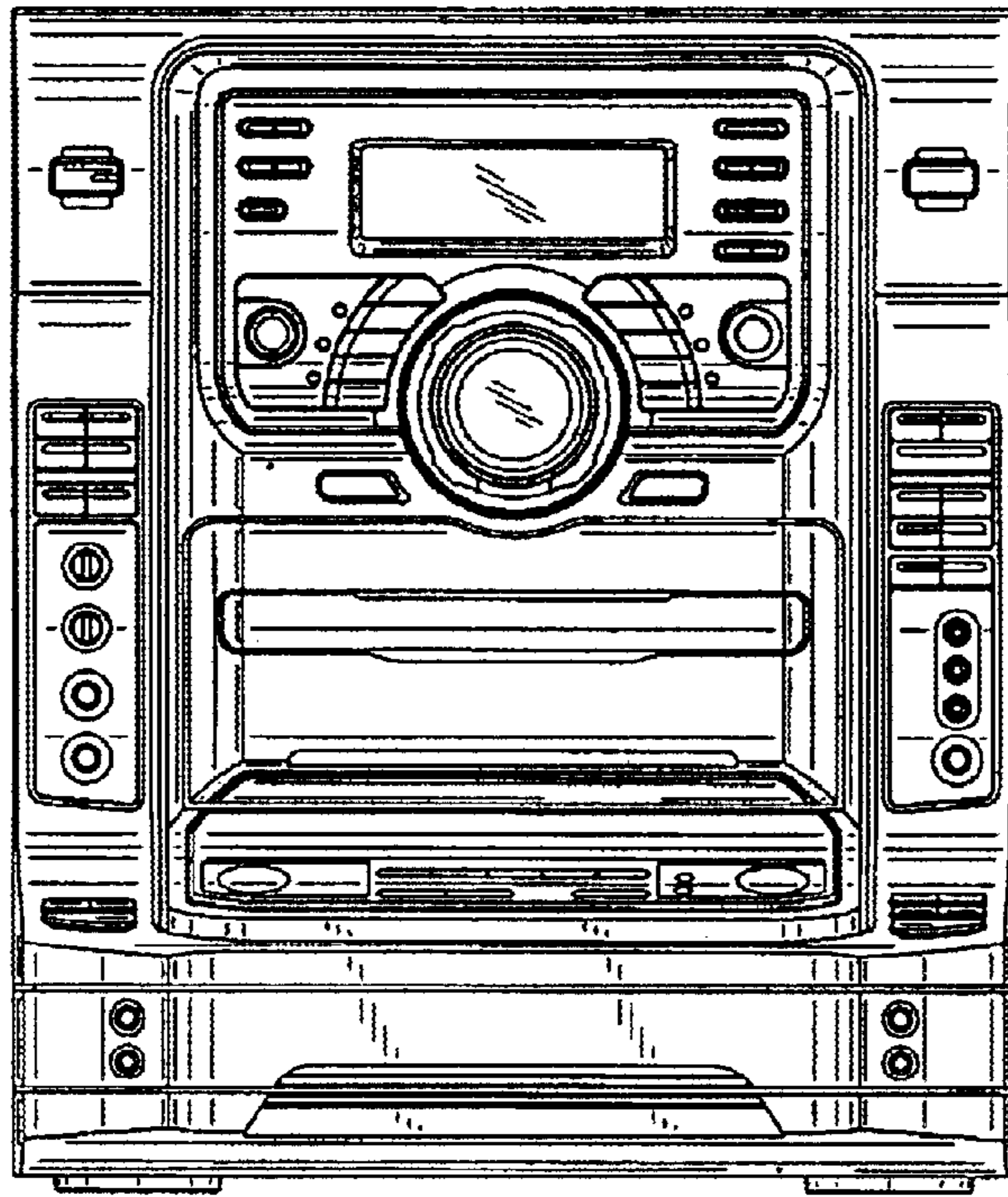


FIG. 2

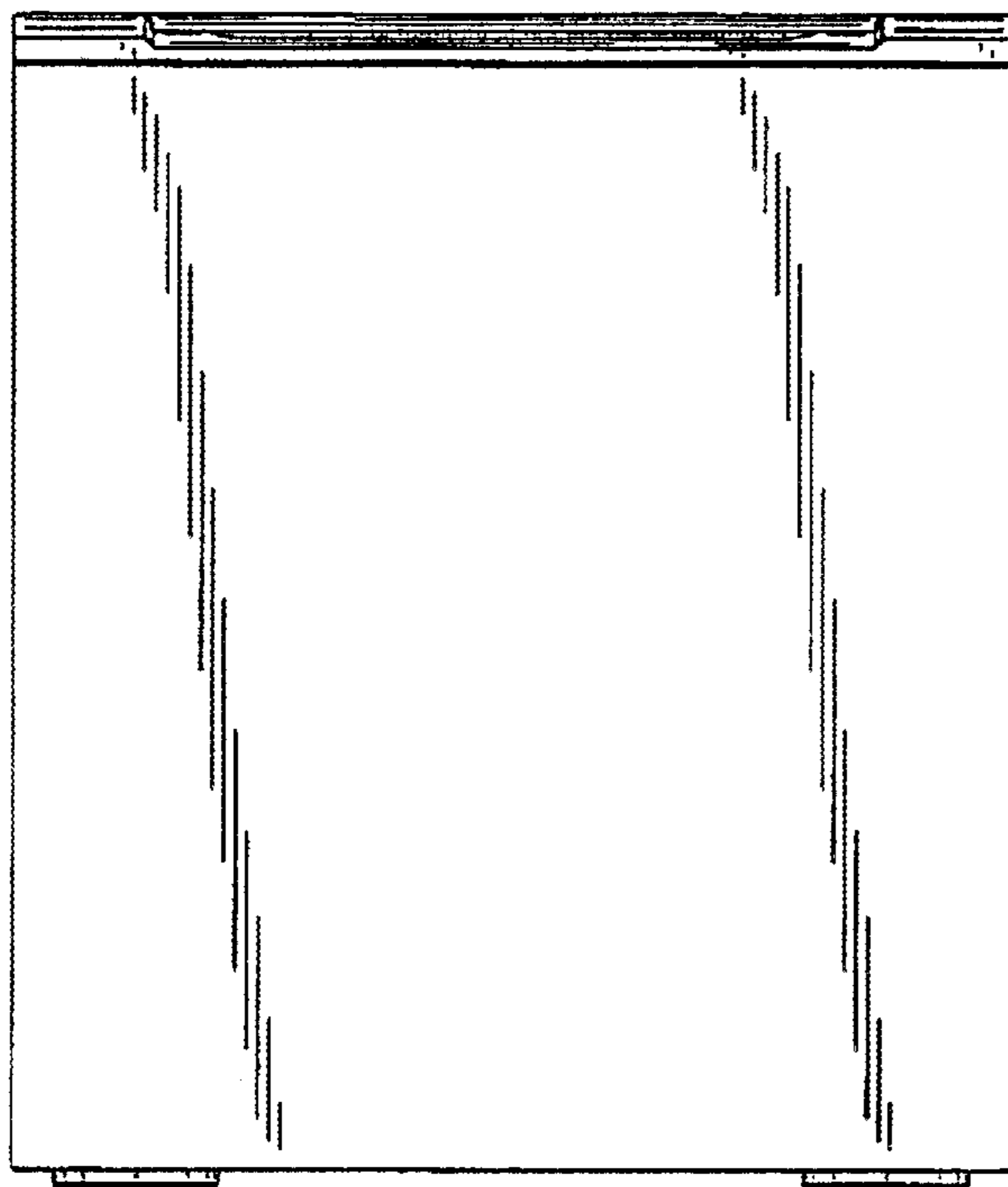


FIG. 3

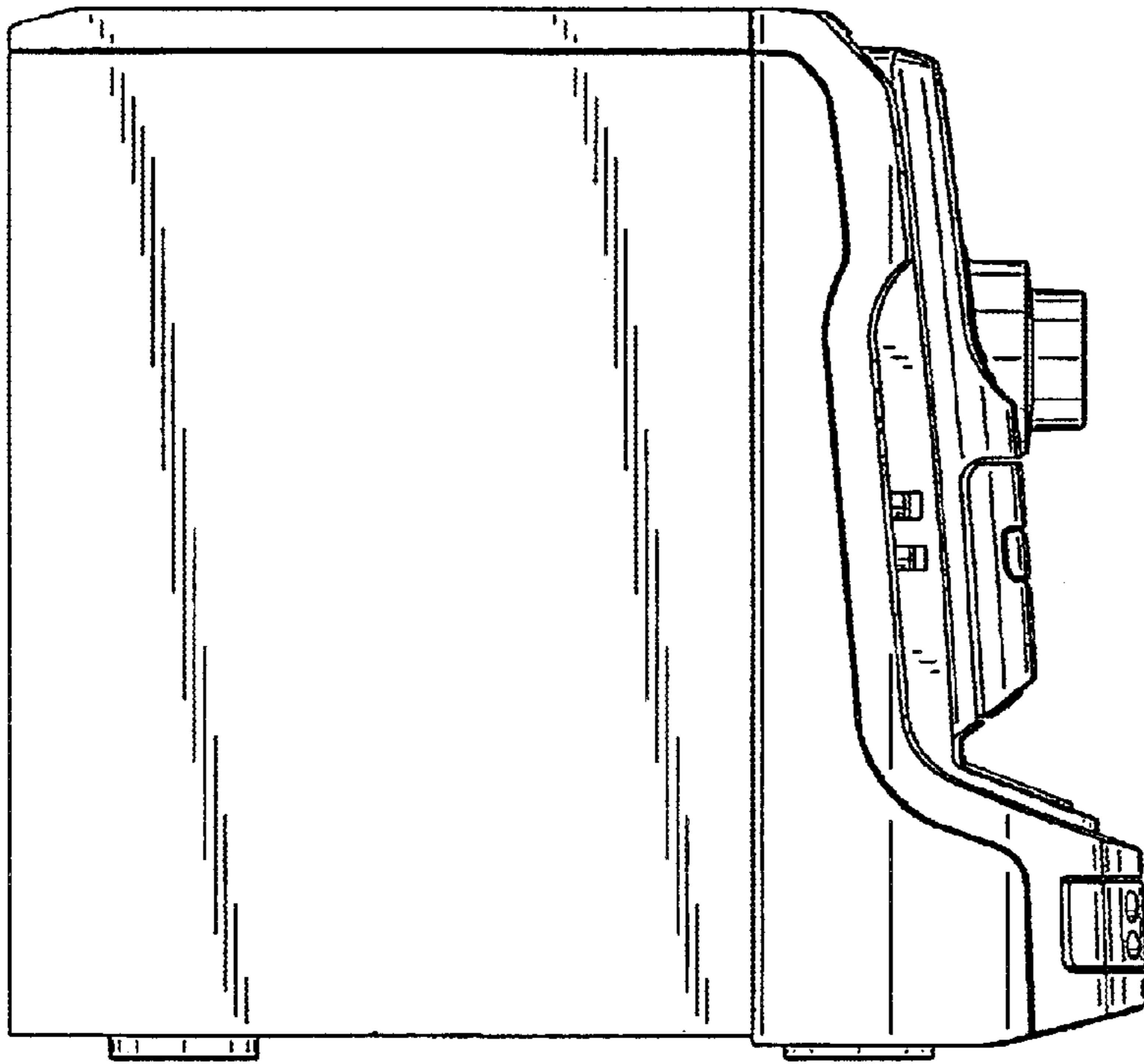


FIG. 4

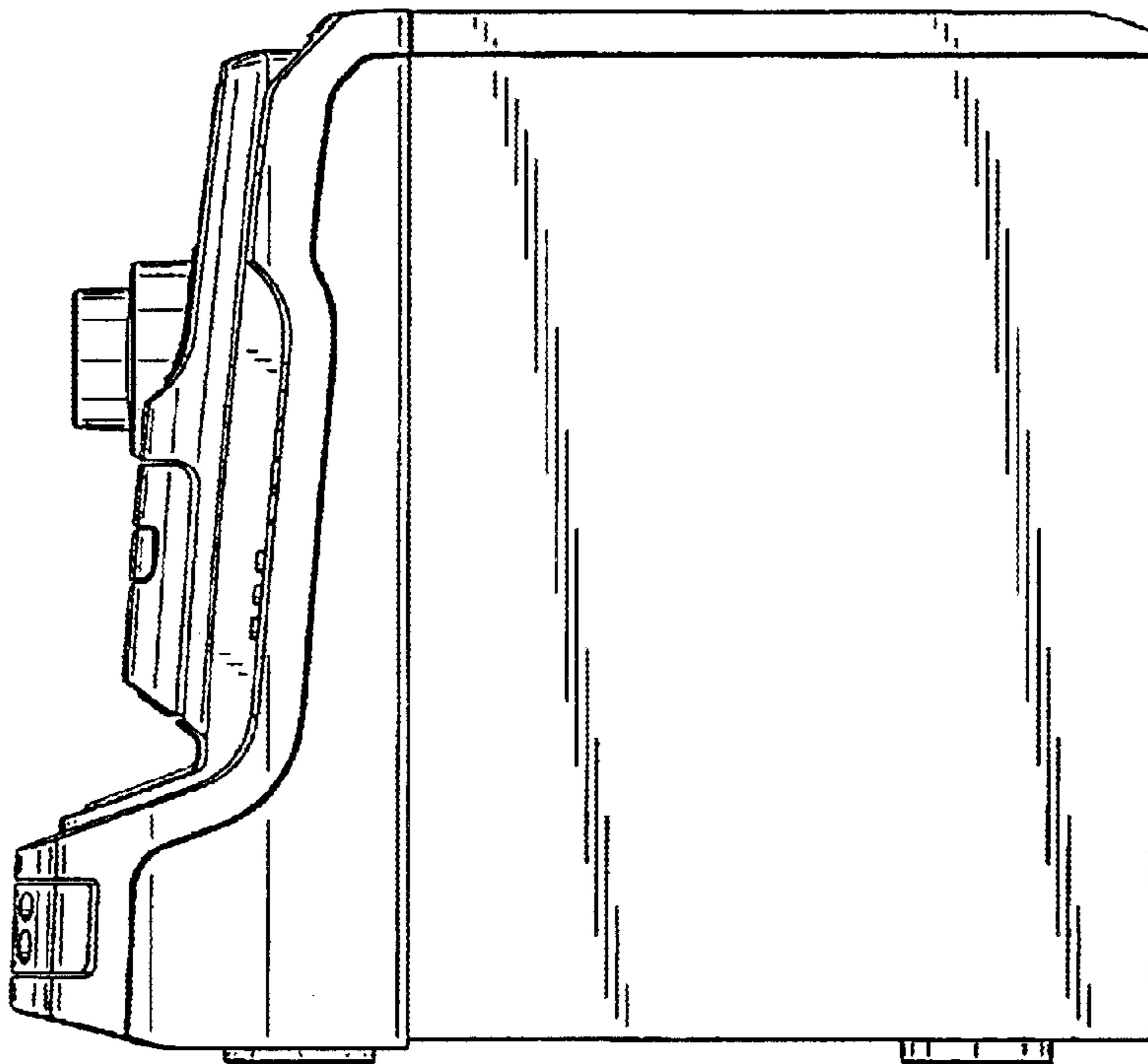


FIG. 5

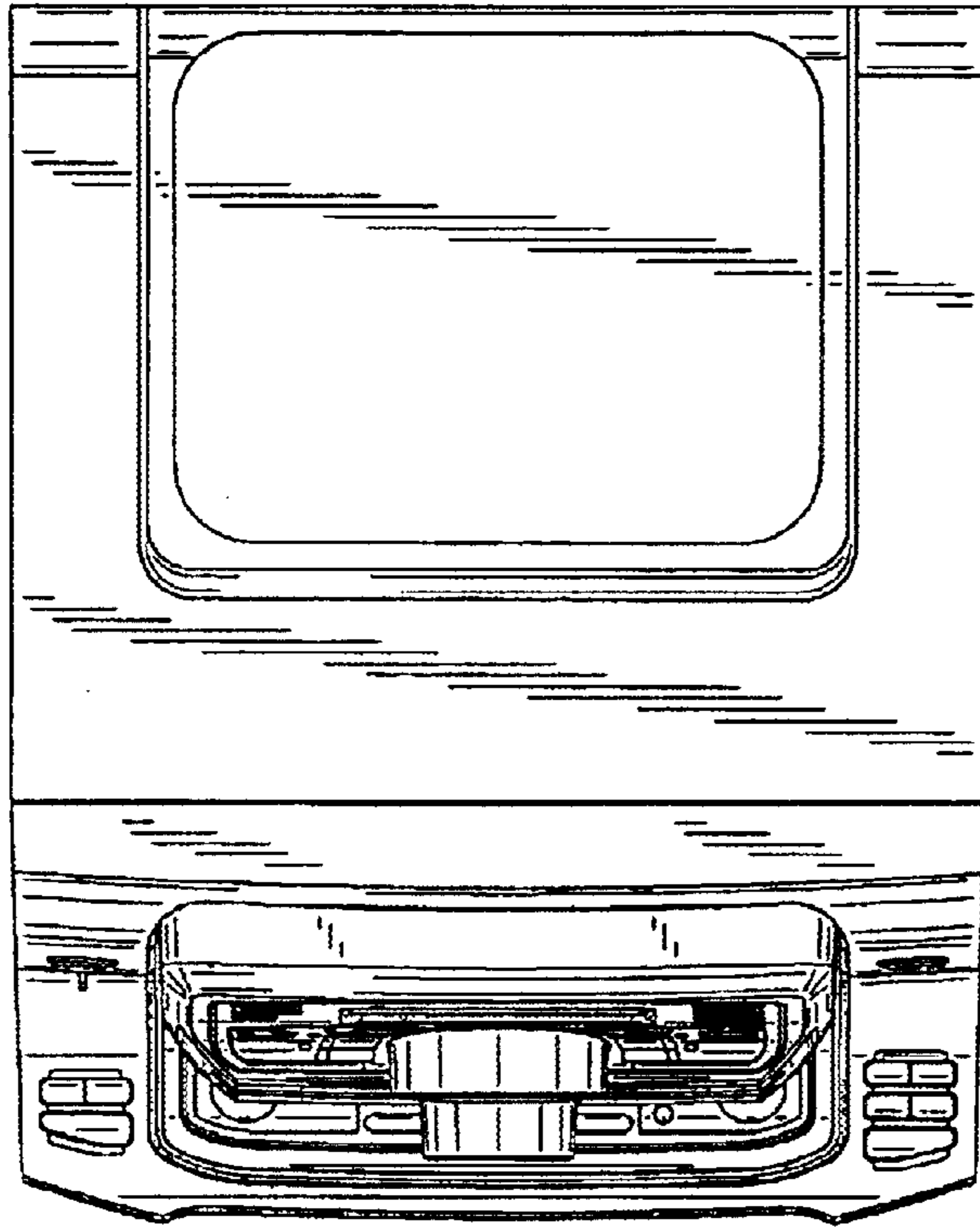


FIG. 6

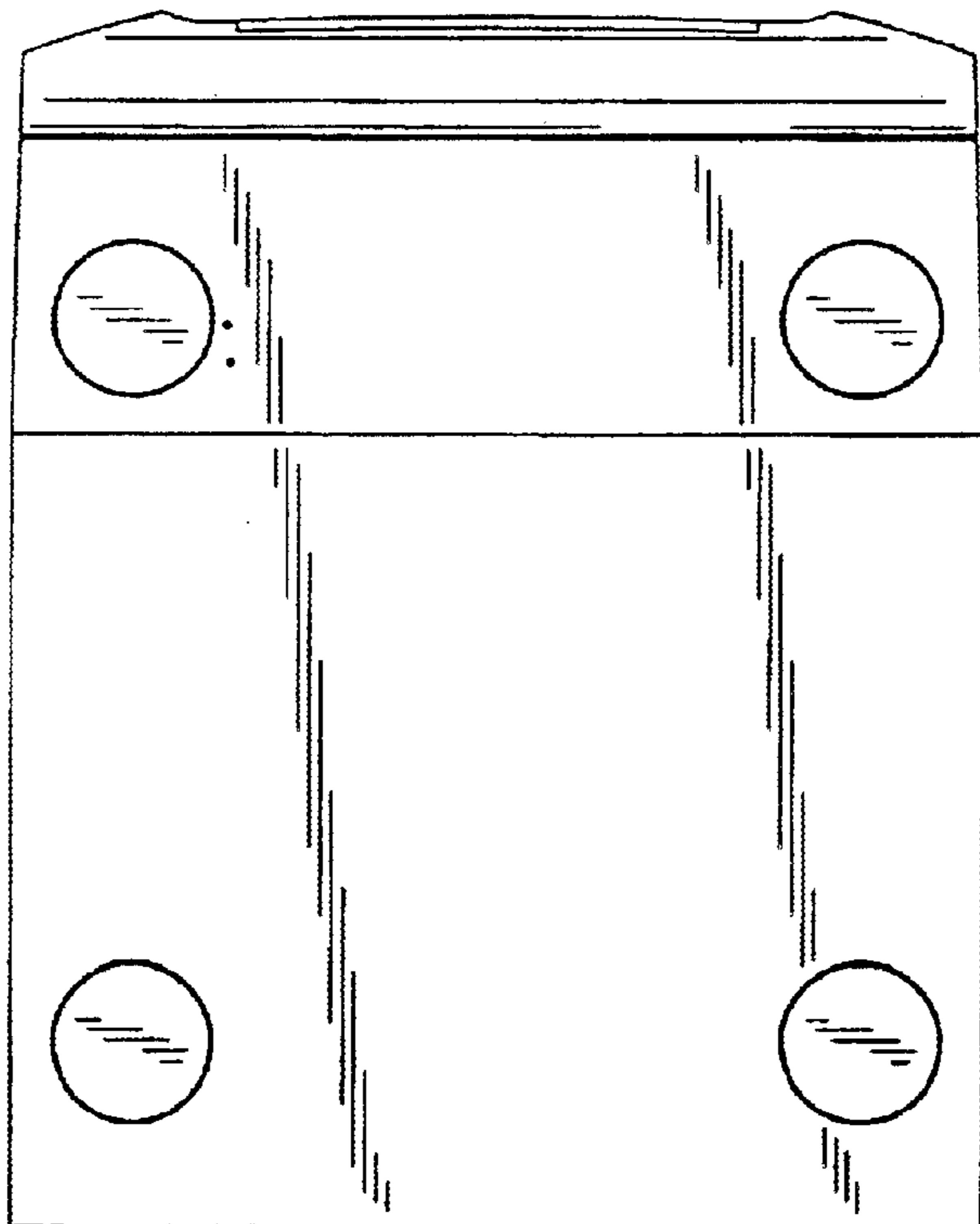


FIG. 7