

US00D505403S

(12) **United States Design Patent**
Kita

(10) **Patent No.:** **US D505,403 S**

(45) **Date of Patent:** **** May 24, 2005**

(54) **TELEVISION SET**

(76) **Inventor:** **Toshiyuki Kita**, c/o IDK Design
Kenkyusho Ltd., 1-2, Kitatenma-3,
Osaka-shi Osaka-fu (JP)

(**) **Term:** **14 Years**

(21) **Appl. No.:** **29/194,701**

(22) **Filed:** **Dec. 1, 2003**

(30) **Foreign Application Priority Data**

May 29, 2003 (JP) 2003-015039

(51) **LOC (7) Cl.** **14-03**

(52) **U.S. Cl.** **D14/126; D14/134**

(58) **Field of Search** D14/125-134,
D14/371, 374-375, 239; 312/7.2; 348/836,
838, 180, 184; 248/917-924; 341/12; 349/1,
2, 11, 62

(56) **References Cited**

U.S. PATENT DOCUMENTS

- D336,645 S 6/1993 Saito et al.
- D337,113 S 7/1993 Saito et al.
- D342,497 S 12/1993 Saito et al.
- D342,501 S 12/1993 Saeki et al.
- D342,509 S 12/1993 Saito et al.
- D351,155 S 10/1994 Usami et al.
- D351,156 S 10/1994 Usami et al.
- D357,244 S 4/1995 Usami et al.
- D357,245 S 4/1995 Usami et al.
- D357,472 S 4/1995 Usami et al.
- D369,596 S 5/1996 Akiyama et al.
- D372,026 S 7/1996 Akiyama et al.
- D373,583 S 9/1996 Akiyama et al.

- D408,416 S * 4/1999 Fenner et al. D14/239
- D427,169 S 6/2000 Saeki et al.
- D429,227 S * 8/2000 Shimizu D14/375
- D431,537 S 10/2000 Saeki et al.
- D438,848 S 3/2001 Kita
- D439,224 S 3/2001 Kita
- D439,225 S 3/2001 Kita
- D453,747 S 2/2002 Kita
- D453,748 S * 2/2002 Kita D14/134
- D456,370 S * 4/2002 Kita D14/126
- D457,864 S * 5/2002 Bong et al. D14/126
- D458,910 S 6/2002 Kita
- D481,022 S * 10/2003 Inoue et al. D14/126

OTHER PUBLICATIONS

U.S. Appl. No. 29/193,998, filed Nov. 2003, Kita.

* cited by examiner

Primary Examiner—Raphael Barkai
(74) *Attorney, Agent, or Firm*—Nixon & Vanderhye

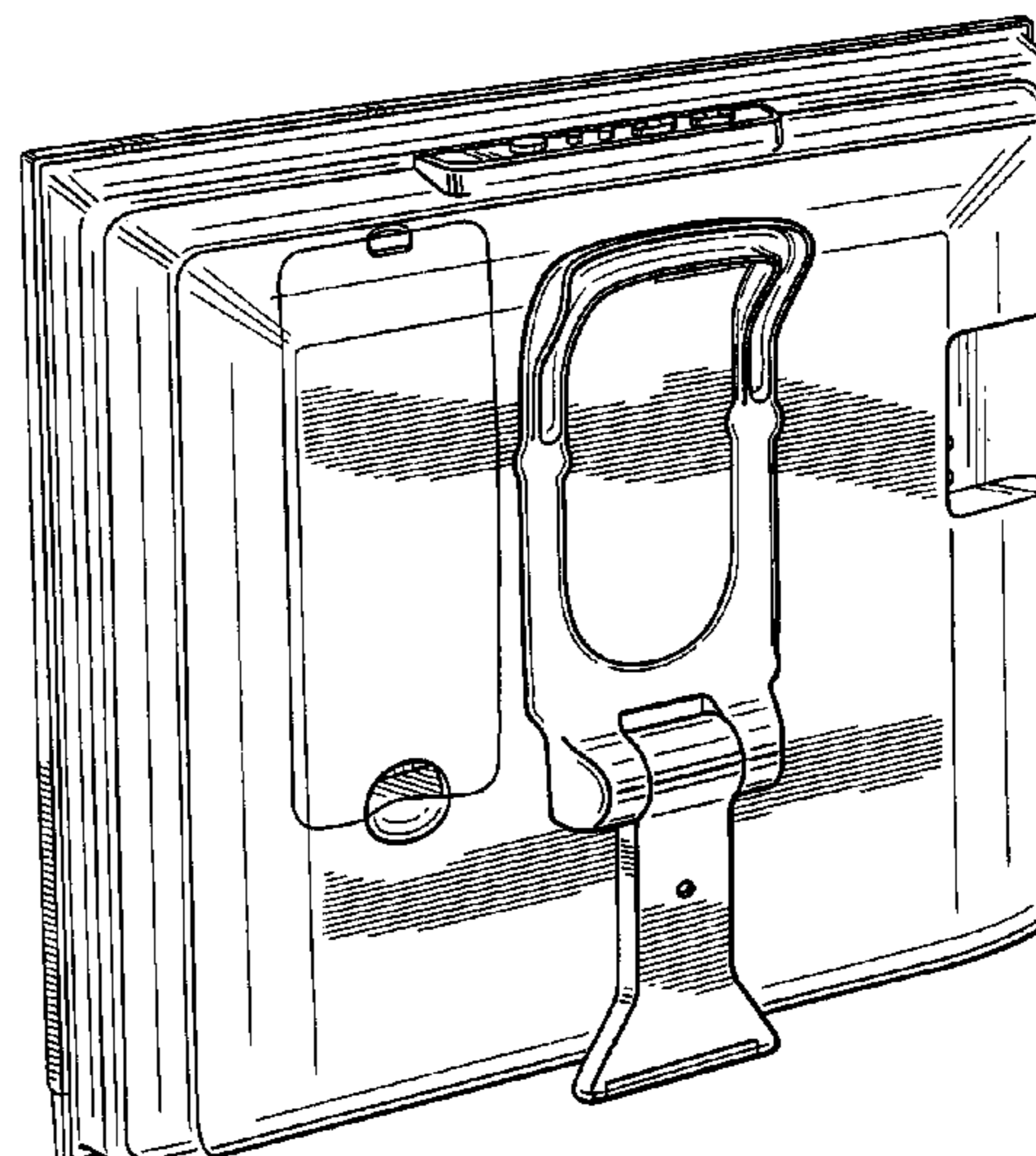
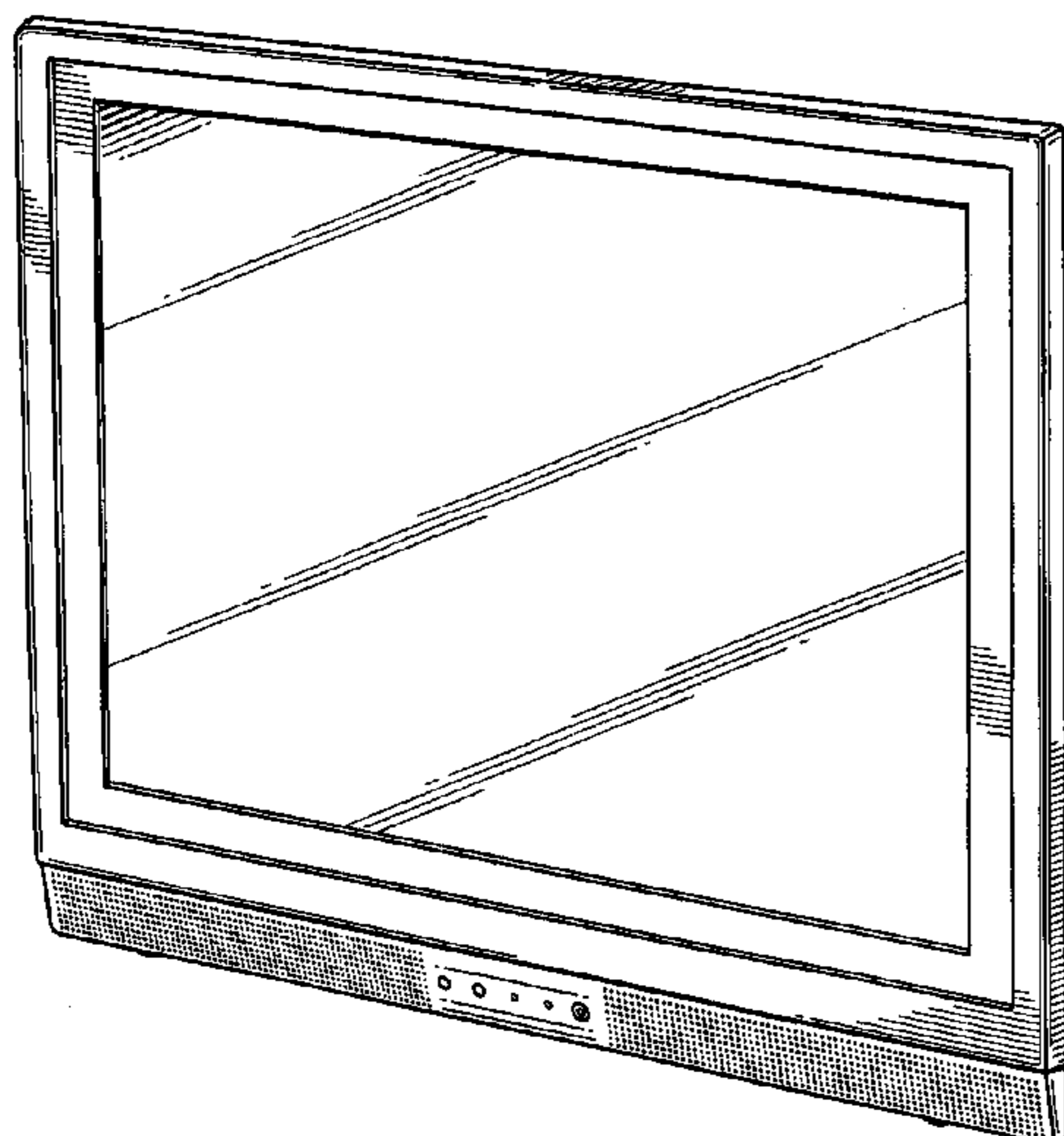
(57) **CLAIM**

The ornamental design for a “television set,” as shown and described.

DESCRIPTION

FIG. 1 is a top, front and right side perspective view of a television set according to my design;
FIG. 2 is a front elevational view thereof;
FIG. 3 is a rear elevational view thereof;
FIG. 4 is a top plan view thereof;
FIG. 5 is a bottom plan view thereof;
FIG. 6 is a right side elevational view thereof;
FIG. 7 is a left side elevational view thereof; and,
FIG. 8 is a top, rear and right side perspective view thereof.

1 Claim, 6 Drawing Sheets



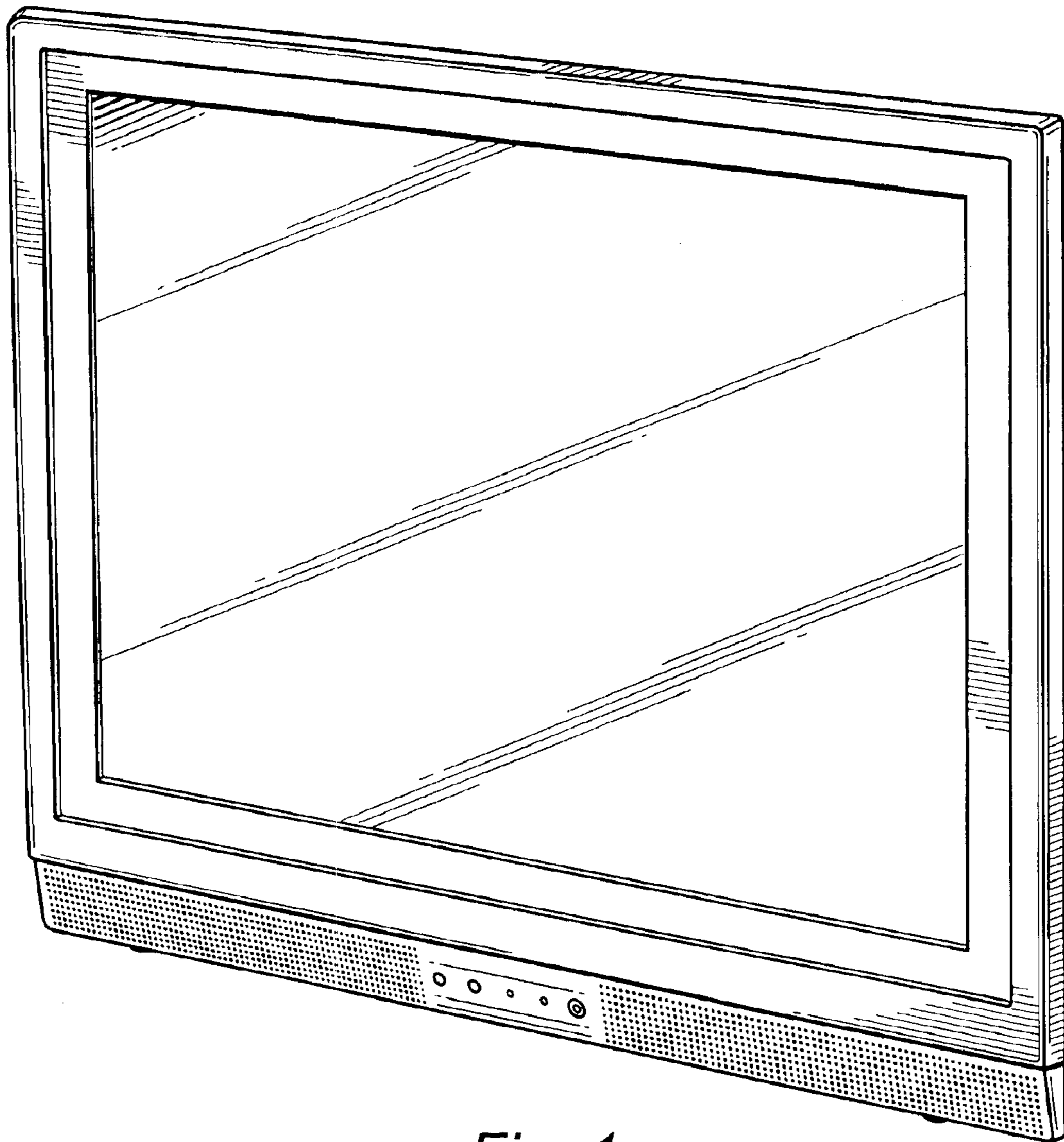


Fig. 1

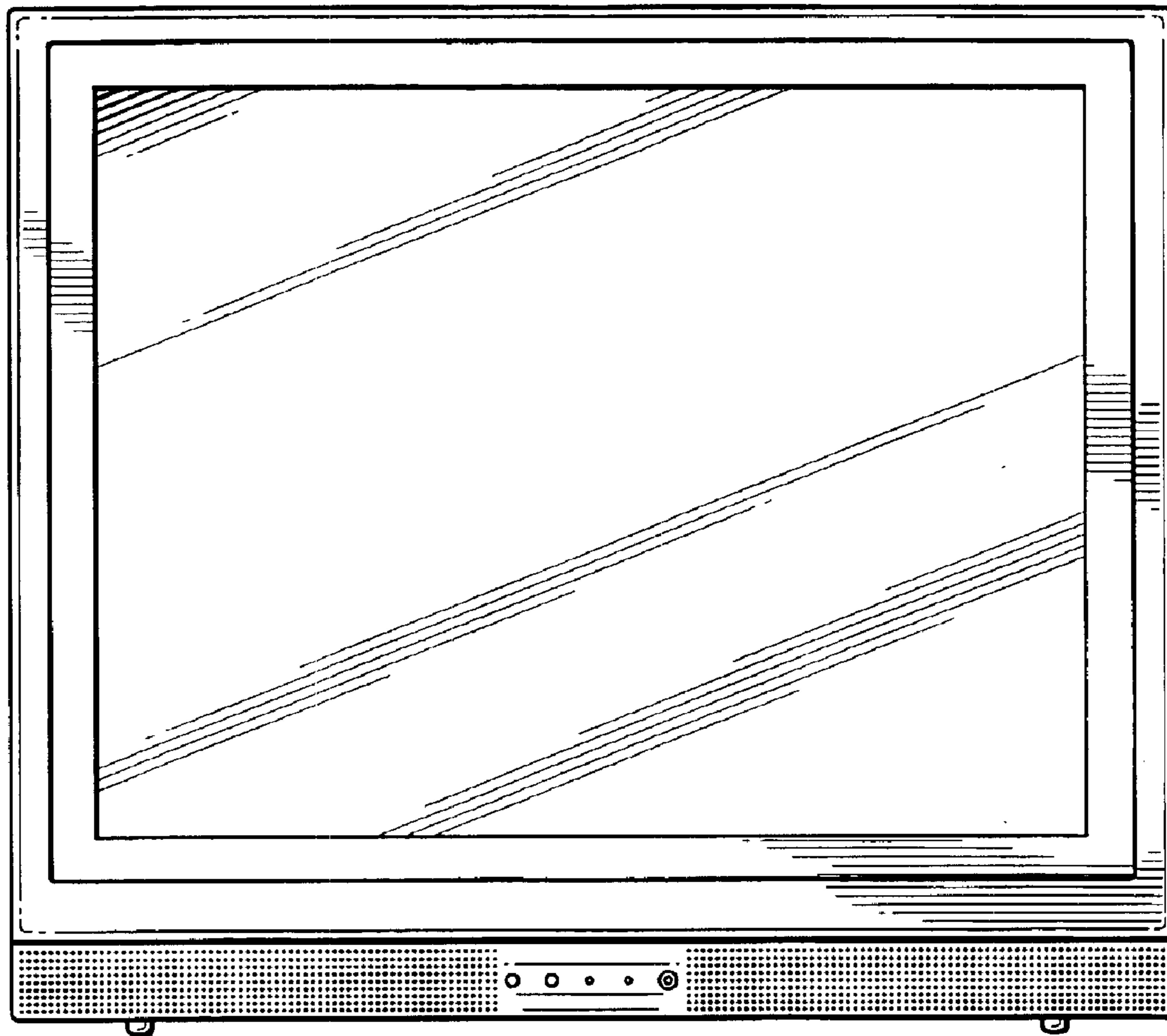


Fig. 2

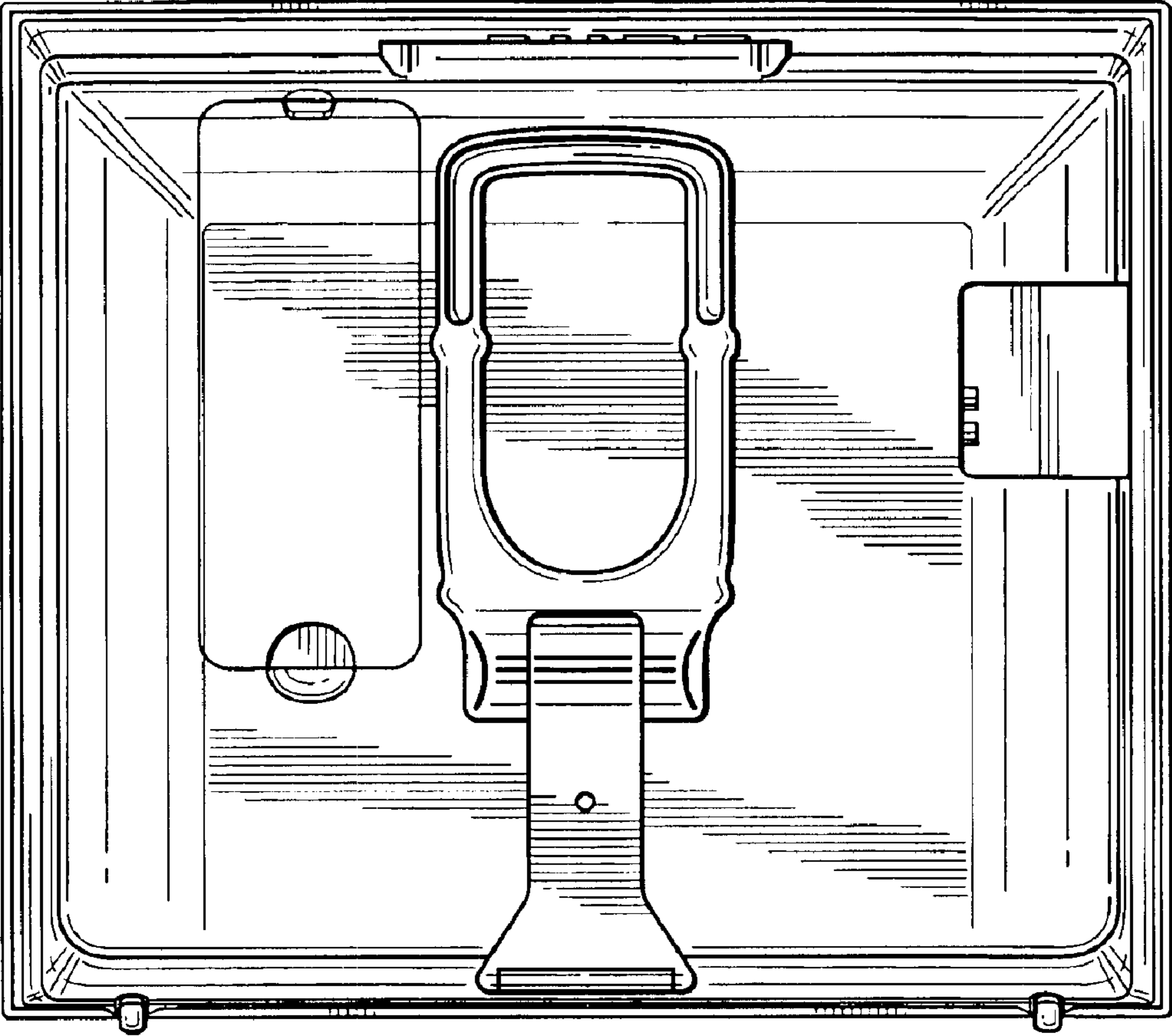


Fig. 3

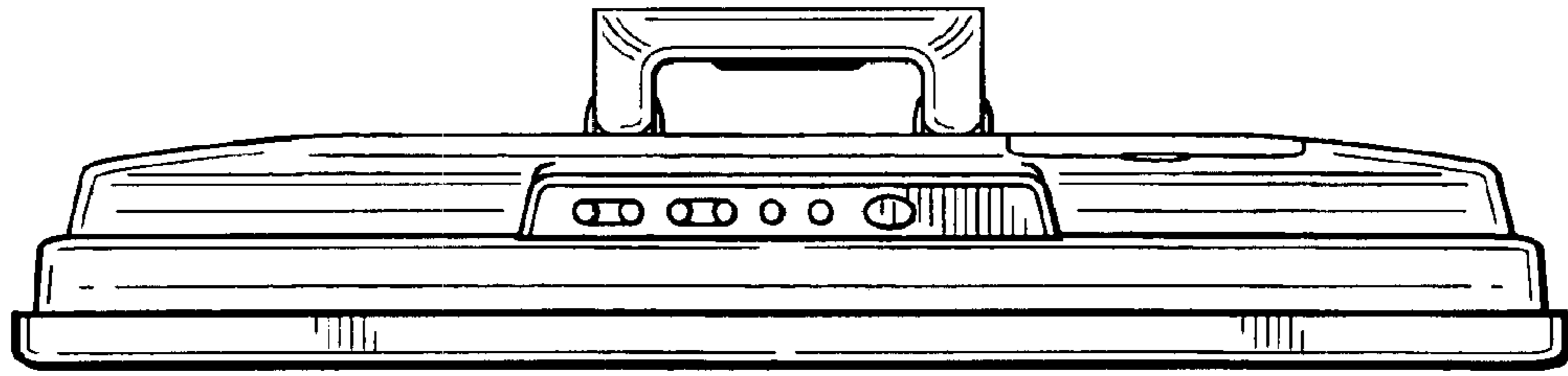


Fig. 4

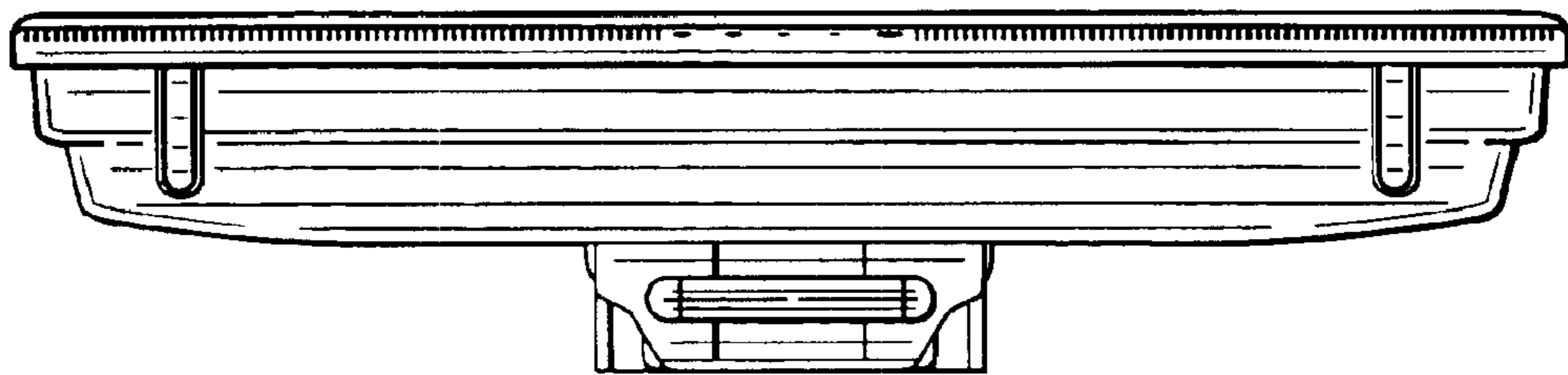


Fig. 5

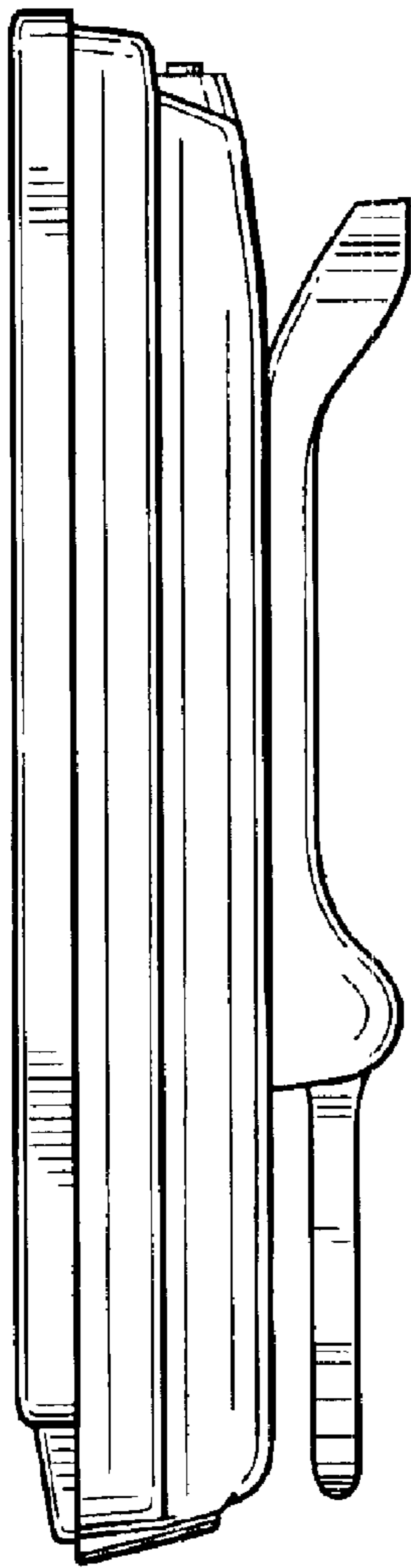


Fig. 6

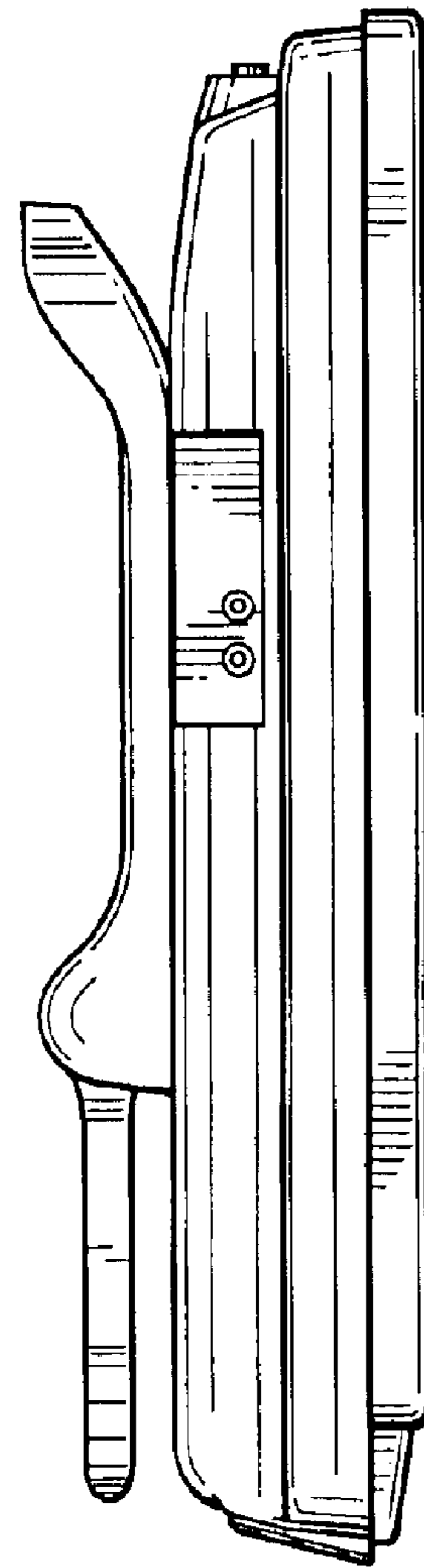


Fig. 7

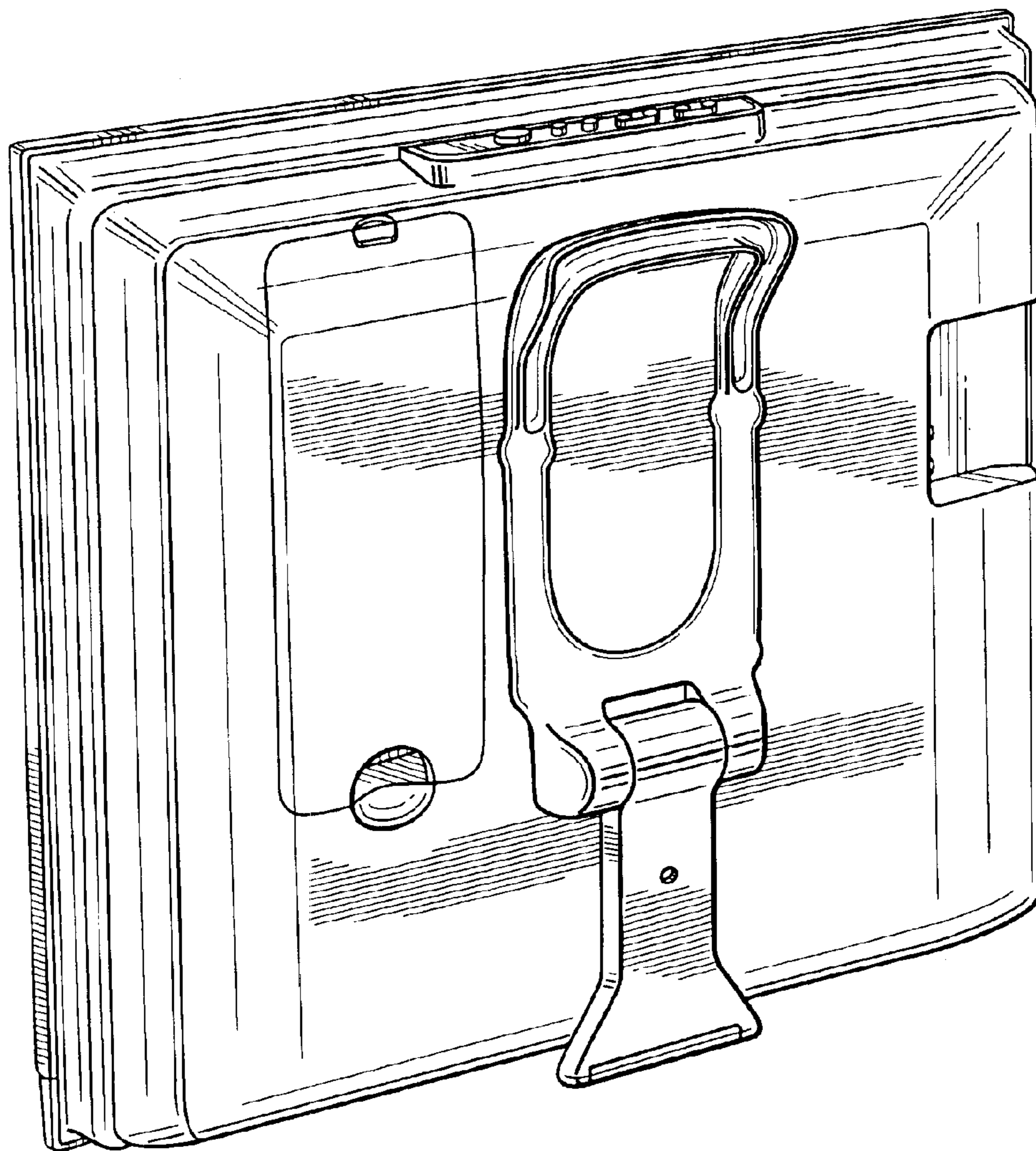


Fig. 8