

US00D505402S

(12) **United States Design Patent**
Wong

(10) **Patent No.:** **US D505,402 S**

(45) **Date of Patent:** **** May 24, 2005**

(54) **MOBILE VIDEO SYSTEM**

(76) **Inventor:** **Keith K. Wong**, 6348 E. Doubletree Ranch Rd., Paradise Valley, AZ (US) 85253

(**) **Term:** **14 Years**

(21) **Appl. No.:** **29/191,243**

(22) **Filed:** **Oct. 3, 2003**

(51) **LOC (7) Cl.** **14-03**

(52) **U.S. Cl.** **D14/125; D14/126**

(58) **Field of Search** D14/125-136, D14/239, 371, 374-375, 168, 172, 217, 299, 315, 327; D12/418, 345, 415, 423; D6/513-514, 611, 553, 556, 559; 312/7.2; 348/836, 838, 180, 184, 325, 837, 776; 224/275, 331, 539; 296/37.1, 37.8, 37.7, 70; 248/917-924; 345/905, 104, 133, 168, 87, 173

(56) **References Cited**

U.S. PATENT DOCUMENTS

4,383,626	A	*	5/1983	Weinblatt	224/275
4,516,777	A	*	5/1985	Nikora	312/7.2
4,630,821	A	*	12/1986	Greenwald	348/776
4,647,980	A	*	3/1987	Steventon et al.	348/837
5,587,577	A	*	12/1996	Schultz	235/462.44

D384,660	S	*	10/1997	Matushita	D14/126
D412,311	S	*	7/1999	Silvershein	D12/416
D453,747	S	*	2/2002	Kita	D14/134
D456,371	S	*	4/2002	Lavelle et al.	D14/132
D458,910	S	*	6/2002	Kita	D14/126
D482,016	S	*	11/2003	Howe et al.	D14/172
D482,339	S	*	11/2003	Yin et al.	D14/134
D489,339	S	*	5/2004	Esslinger et al.	D14/126

* cited by examiner

Primary Examiner—Raphael Barkai

(74) *Attorney, Agent, or Firm*—Lowell W. Gresham; Jordan M. Meschkow; Meschkow & Gresham, P.L.C.

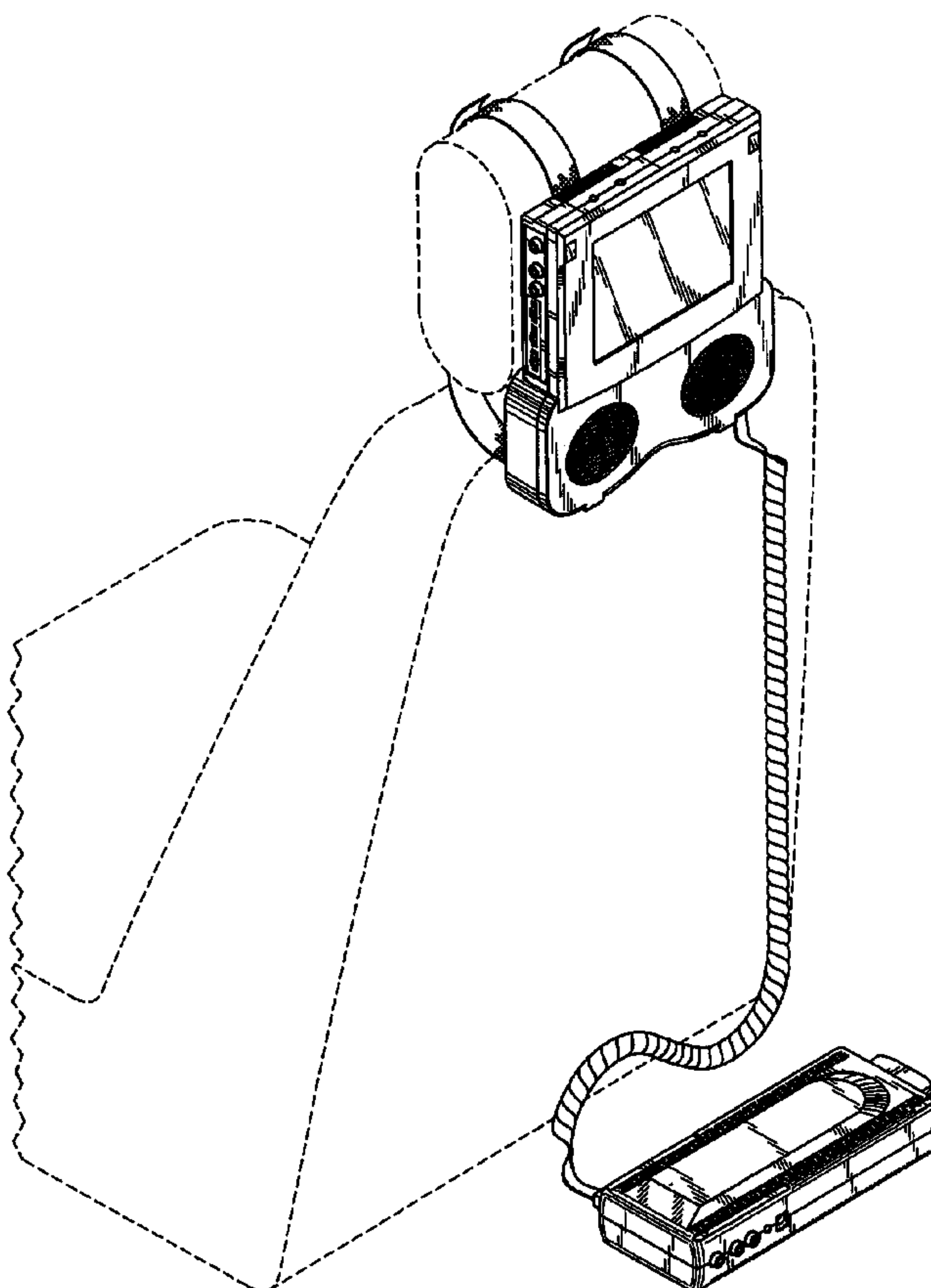
(57) **CLAIM**

The ornamental design for a mobile video system, as shown and described.

DESCRIPTION

FIG. 1 is a first perspective view of a mobile video system, showing my new design therefor; FIG. 2 is a front elevation view; FIG. 3 is a back elevation view; FIG. 4 is a top plan view; FIG. 5 is a bottom plan view; FIG. 6 is a right side elevation view; FIG. 7 is a left side elevation view; and, FIG. 8 is a second perspective view.

1 Claim, 8 Drawing Sheets



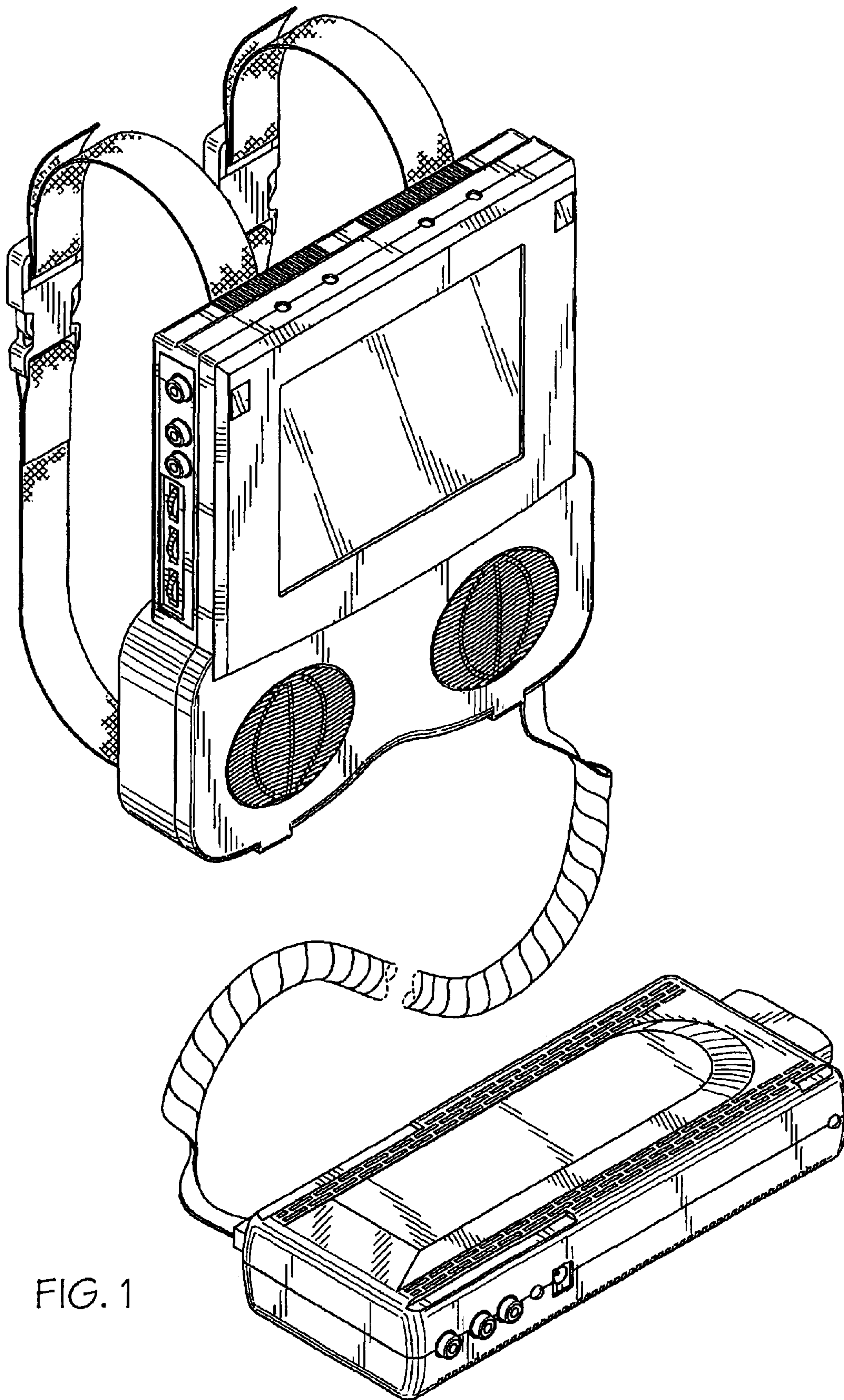


FIG. 1

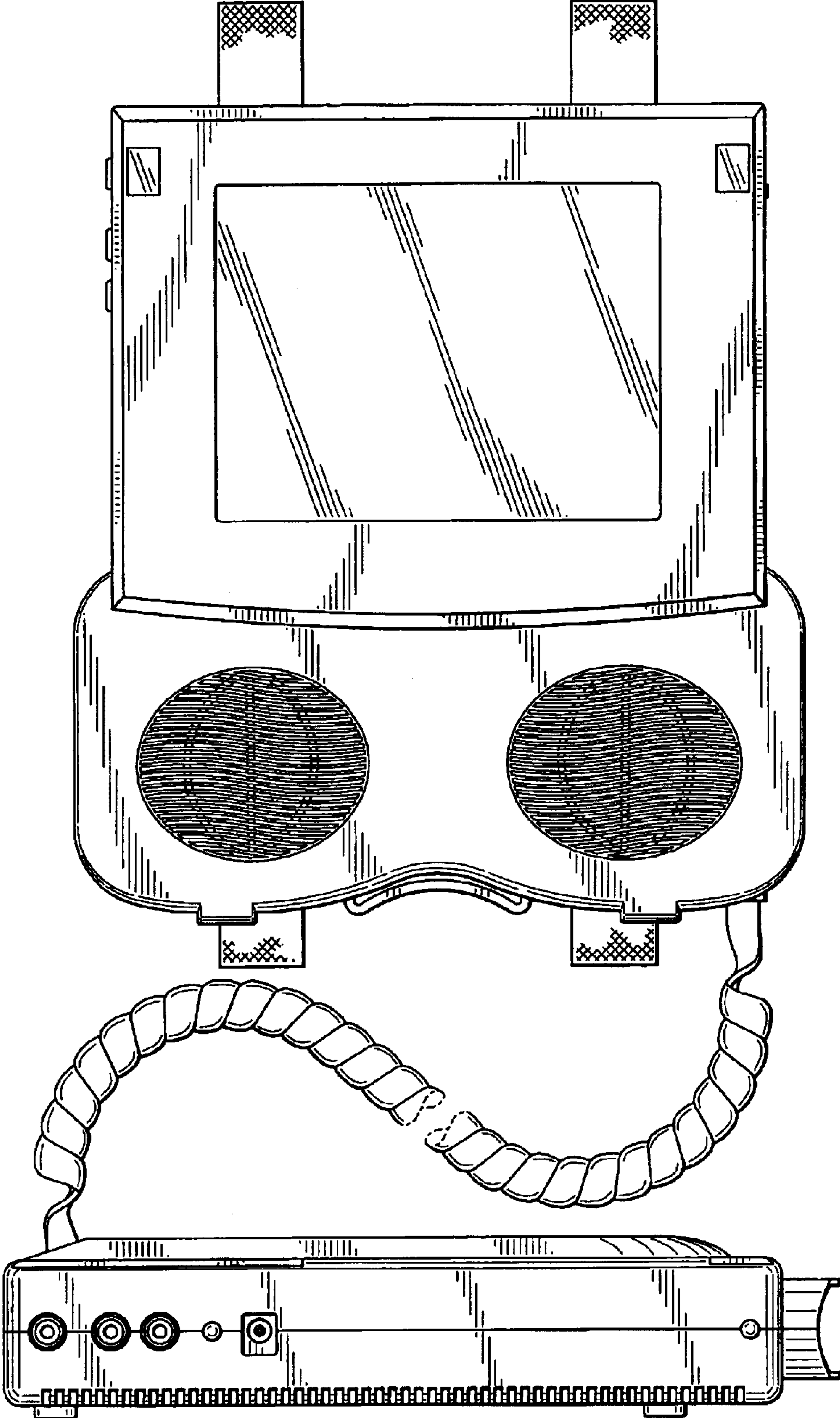


FIG. 2

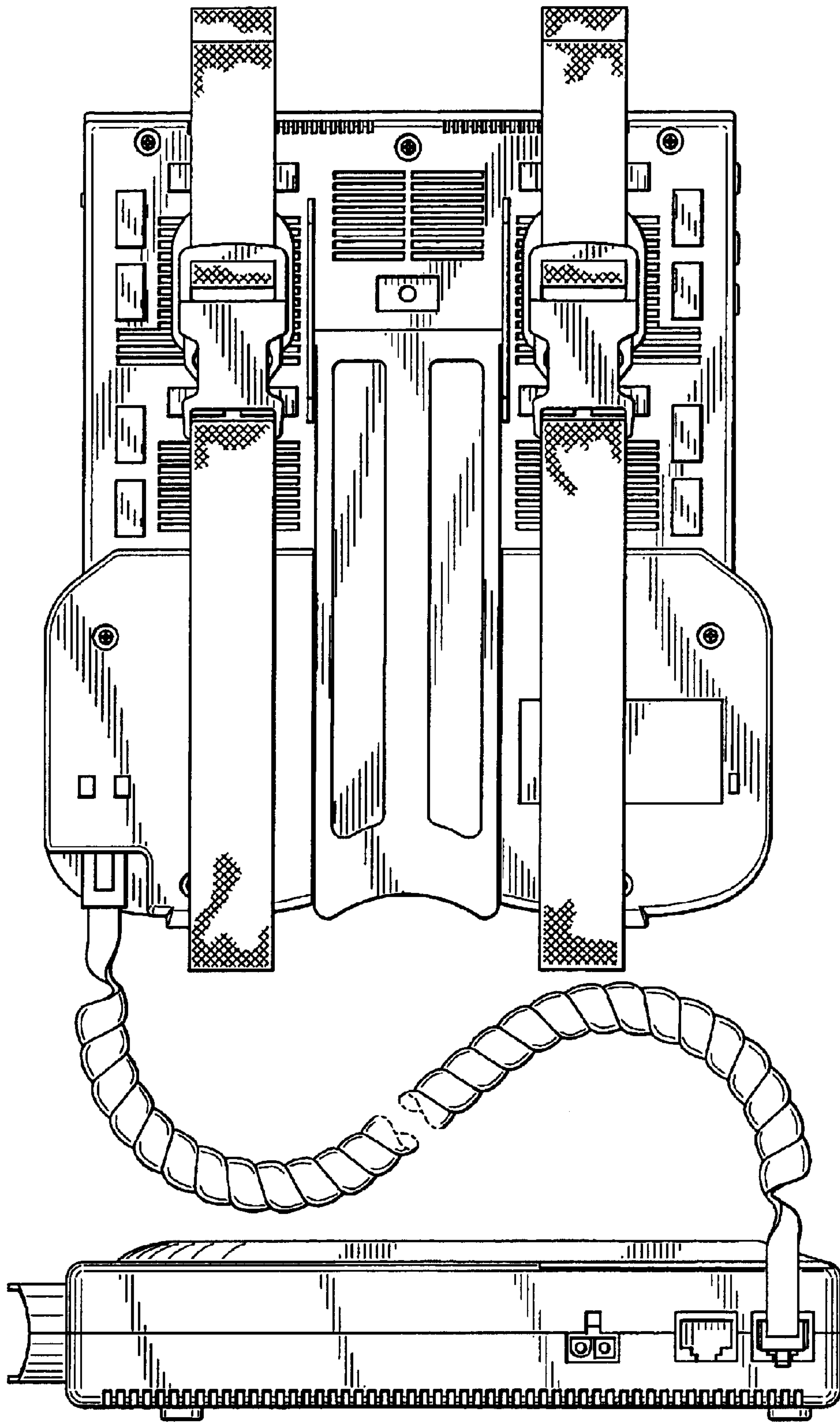


FIG. 3

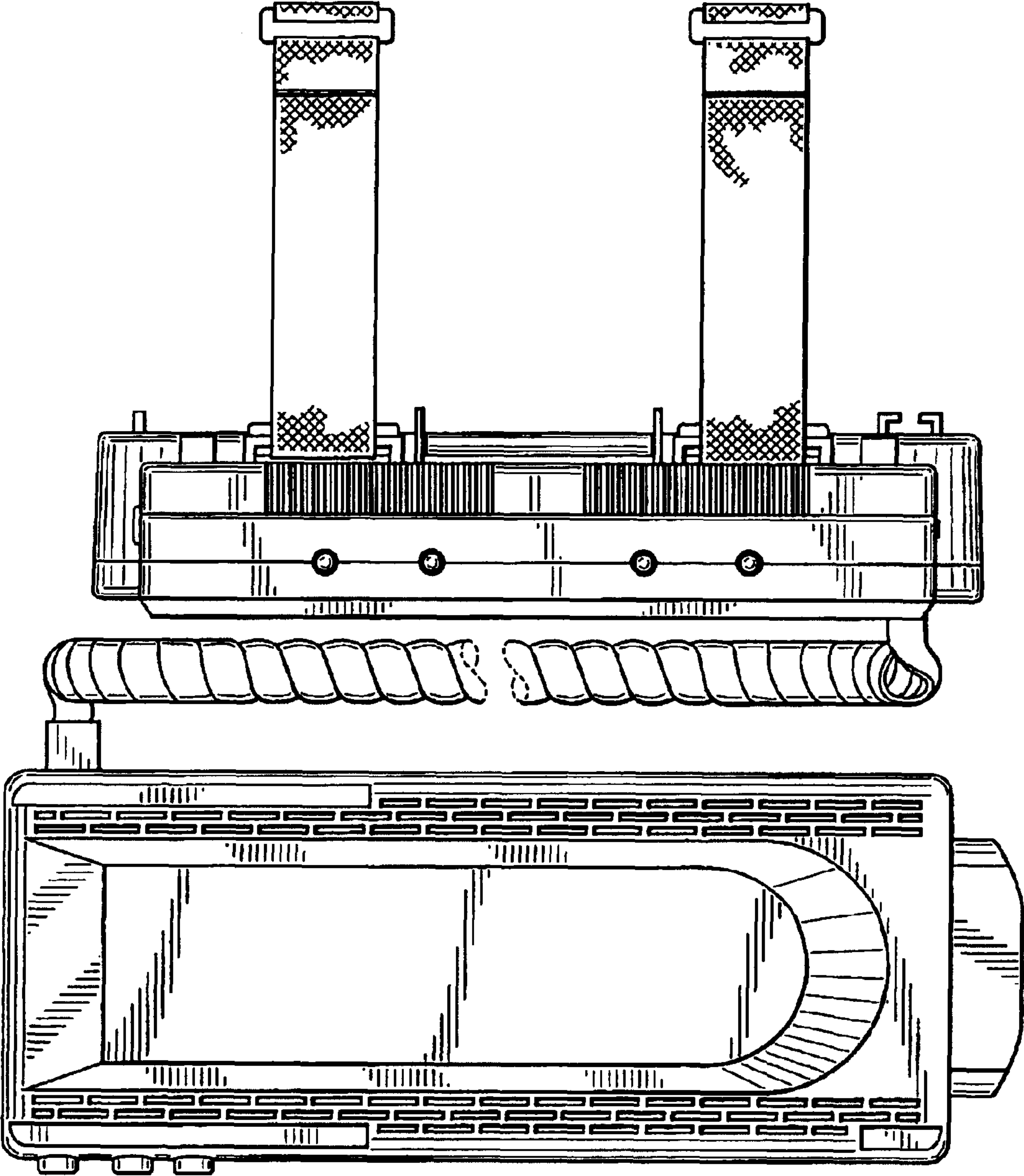


FIG. 4

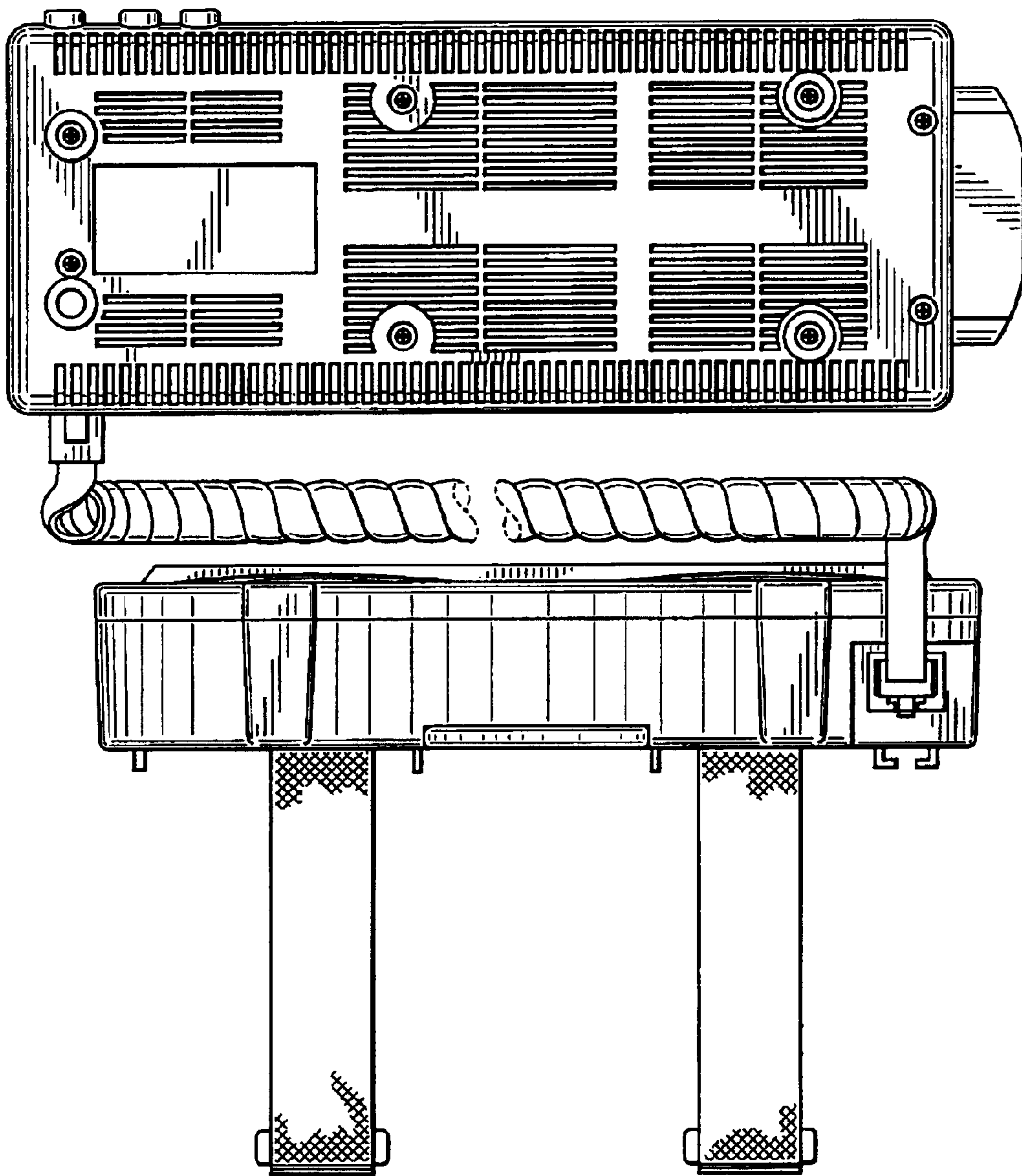


FIG. 5

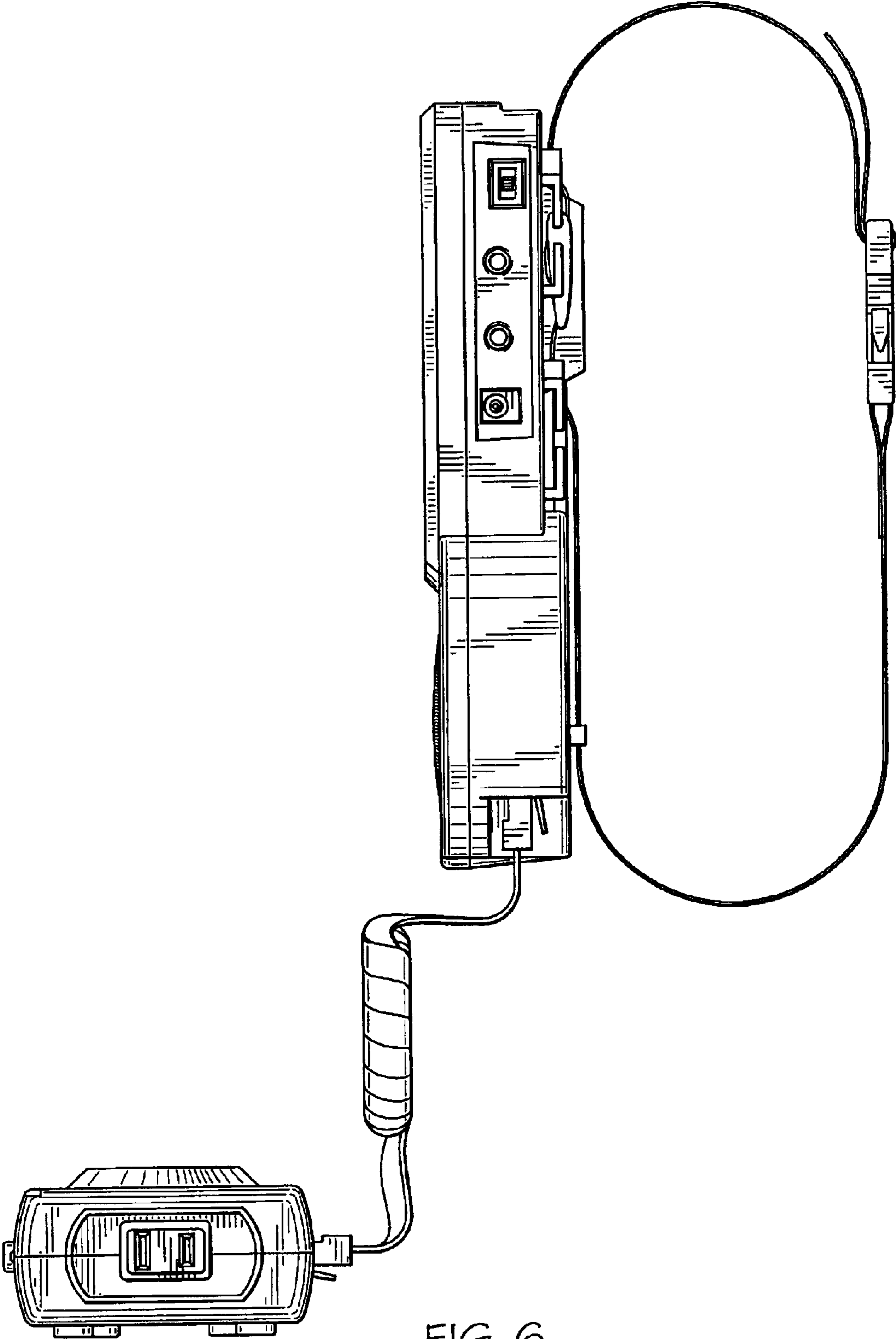


FIG. 6

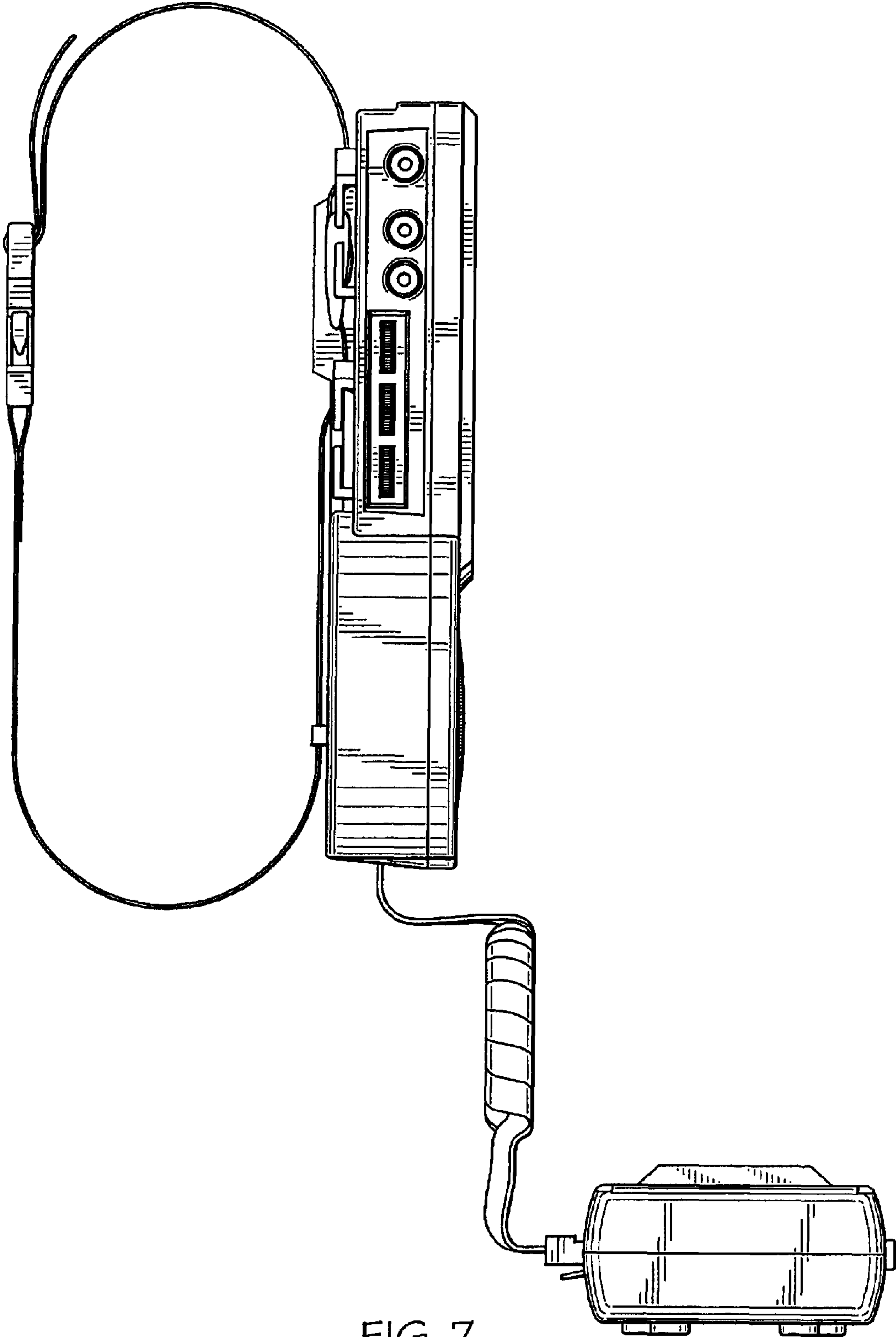


FIG. 7

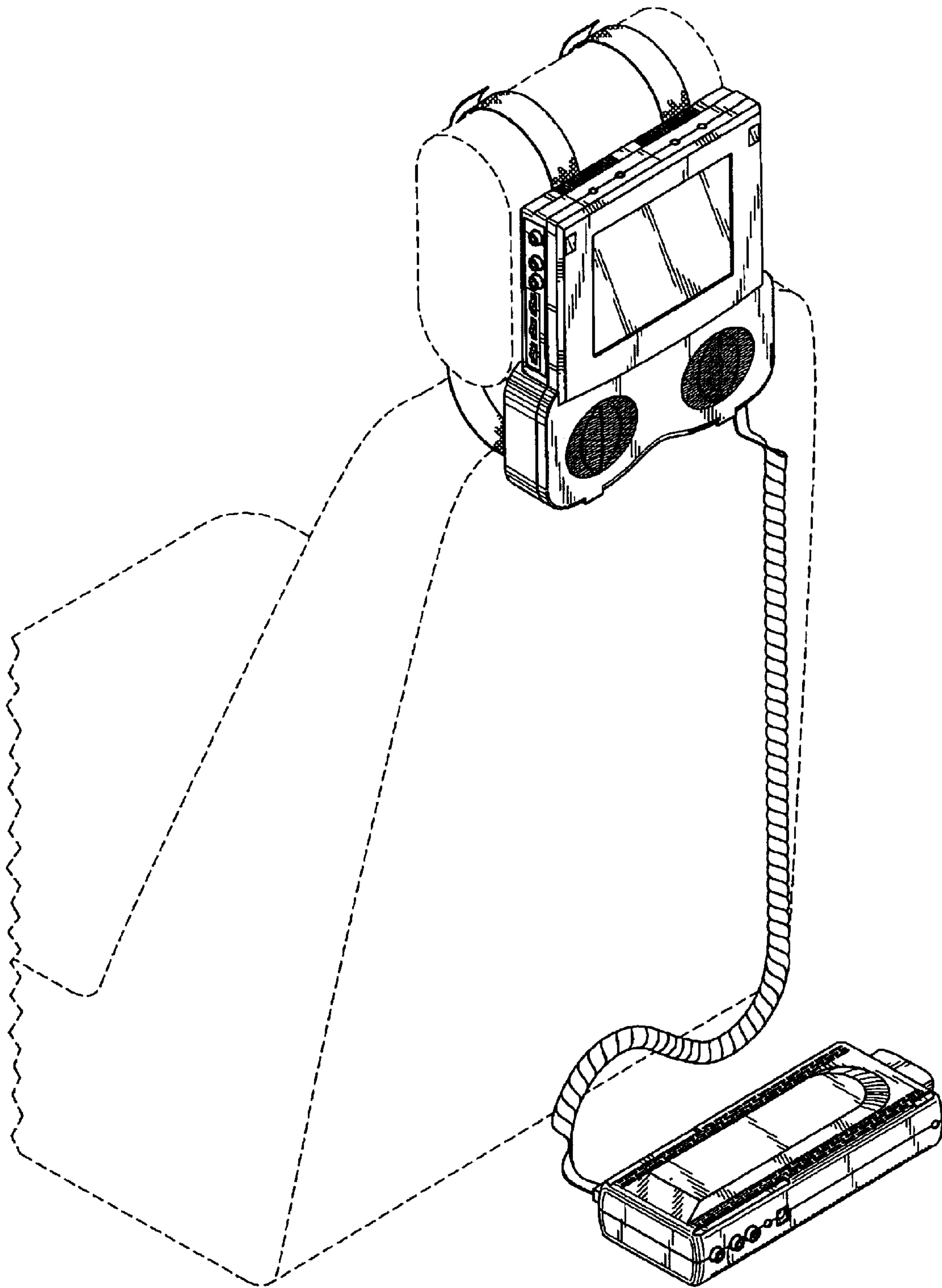


FIG. 8