

US00D505399S

(12) **United States Design Patent**  
Yoshida et al.

(10) **Patent No.:** **US D505,399 S**  
(45) **Date of Patent:** **\*\* May 24, 2005**

(54) **SEMICONDUCTOR DEVICE**

D401,912 S 12/1998 Majumdar et al.  
D448,739 S \* 10/2001 Iwasaki et al. .... D13/182  
D470,825 S \* 2/2003 Iwasaki et al. .... D13/182

(75) Inventors: **Hiroshi Yoshida**, Fukuoka (JP);  
**Hisashi Kawafuji**, Fukuoka (JP)

**FOREIGN PATENT DOCUMENTS**

(73) Assignee: **Mitsubishi Denki Kabushiki Kaisha**,  
Tokyo (JP)

JP 982886 6/1997

(\*\*) Term: **14 Years**

\* cited by examiner

(21) Appl. No.: **29/180,822**

*Primary Examiner*—Stella Reid  
*Assistant Examiner*—Selina Sikder

(22) Filed: **May 1, 2003**

(74) *Attorney, Agent, or Firm*—Oblon, Spivak, McClelland,  
Maier & Neustadt, P.C.

(30) **Foreign Application Priority Data**

(57) **CLAIM**

Mar. 14, 2003 (JP) ..... 2003-006770

The ornamental design for a semiconductor device, as  
shown and described.

(51) **LOC (7) Cl.** ..... **13-03**

**DESCRIPTION**

(52) **U.S. Cl.** ..... **D13/182**

(58) **Field of Search** ..... D13/182; 174/52.1,  
174/52.2, 52.4; 257/666, 669, 675, 676,  
678, 690, 692, 696, 697, 730, 787; 361/773,  
820; 438/64, 65

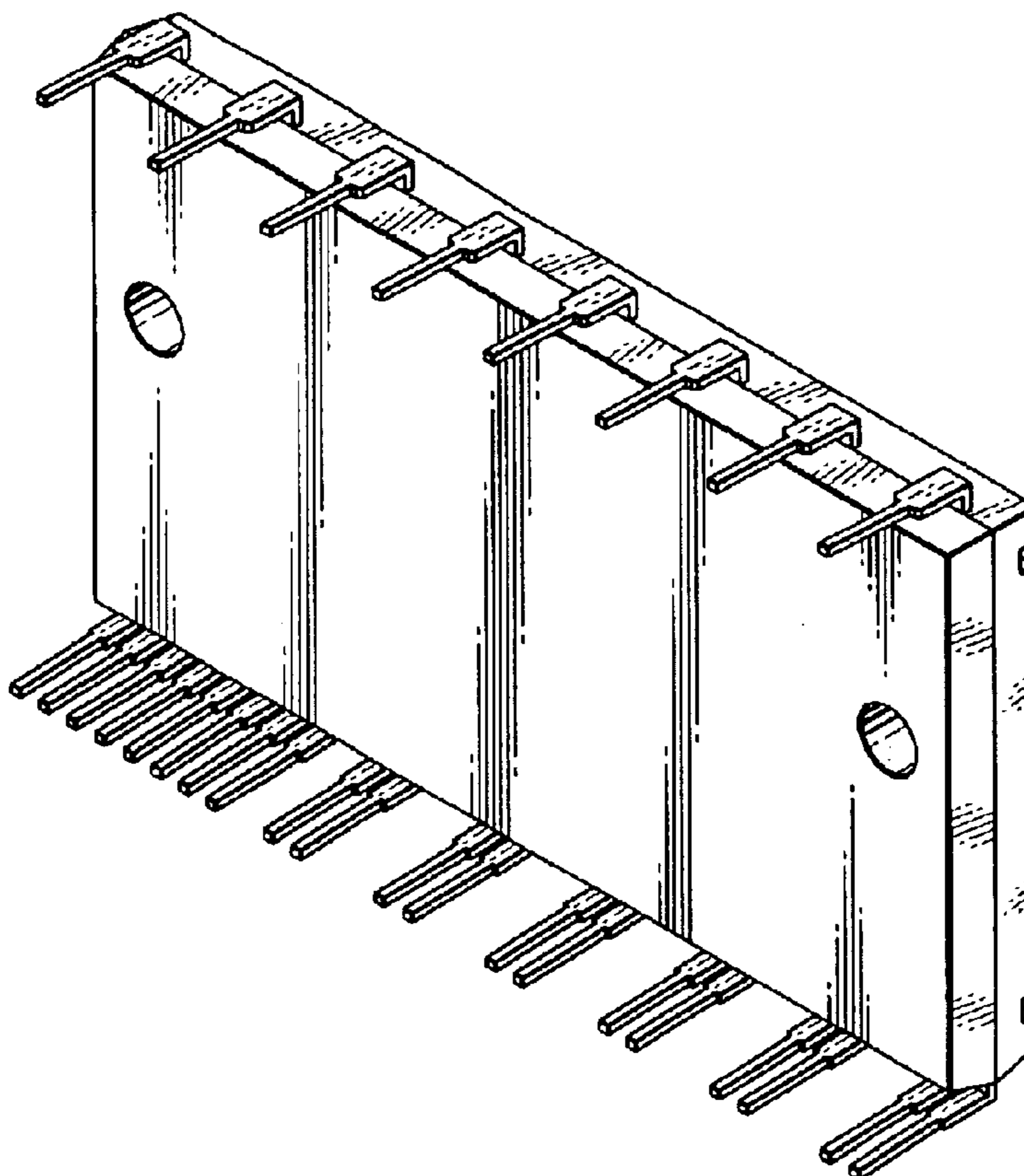
FIG. 1 is a front, top and right side perspective view of a  
semiconductor device, showing our new design;  
FIG. 2 is a front elevational view thereof;  
FIG. 3 is a rear elevational view thereof;  
FIG. 4 is a top plan view thereof;  
FIG. 5 is a bottom plan view thereof; and,  
FIG. 6 is a right side elevational view thereof, the left side  
elevational view is omitted as that is symmetrical to the right  
side elevational view thereof.

(56) **References Cited**

**U.S. PATENT DOCUMENTS**

3,762,039 A \* 10/1973 Douglass et al. .... 29/827  
D360,619 S \* 7/1995 Terasawa et al. .... D13/182  
D394,244 S \* 5/1998 Majumdar et al. .... D13/182

**1 Claim, 3 Drawing Sheets**



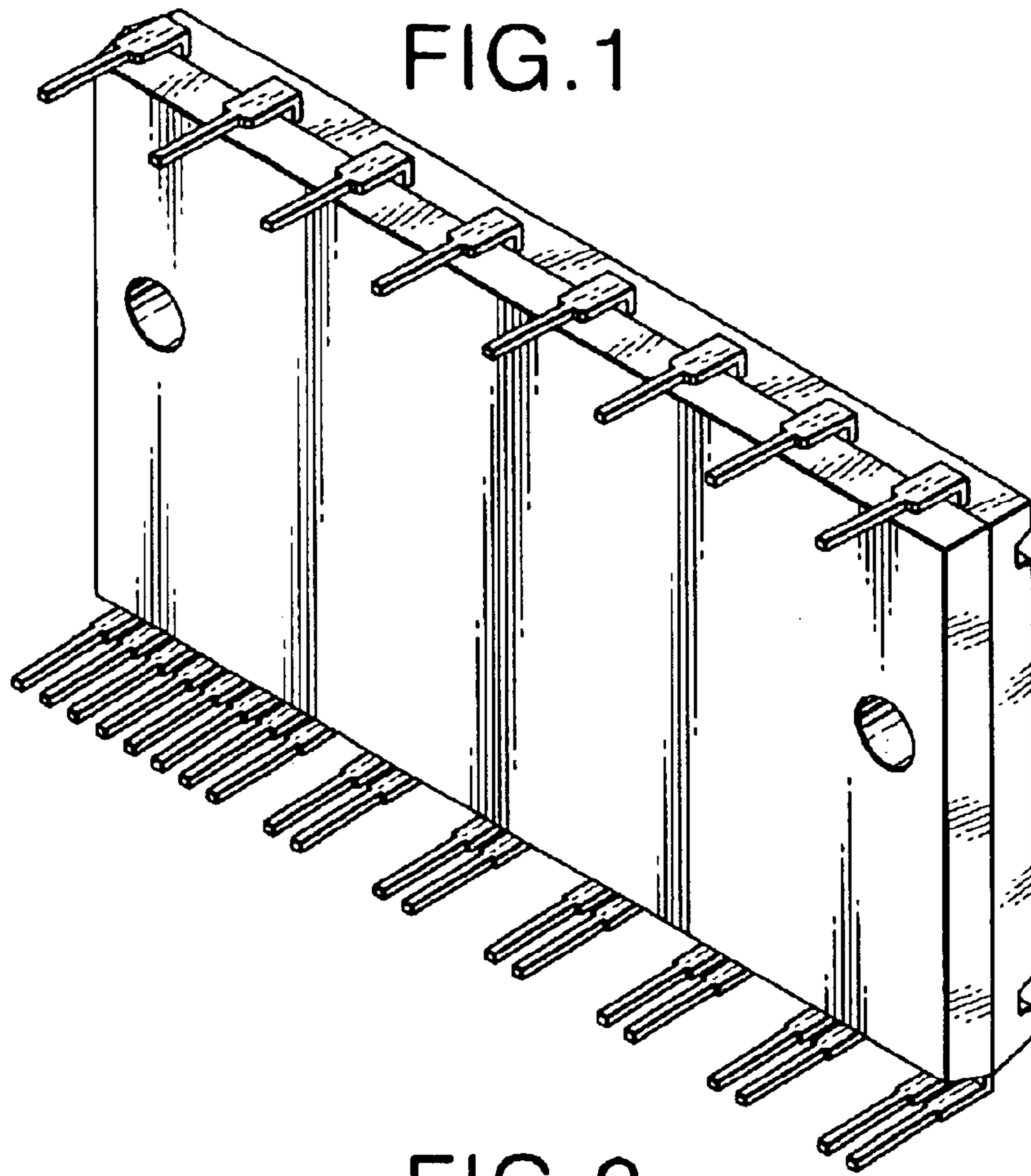


FIG. 2

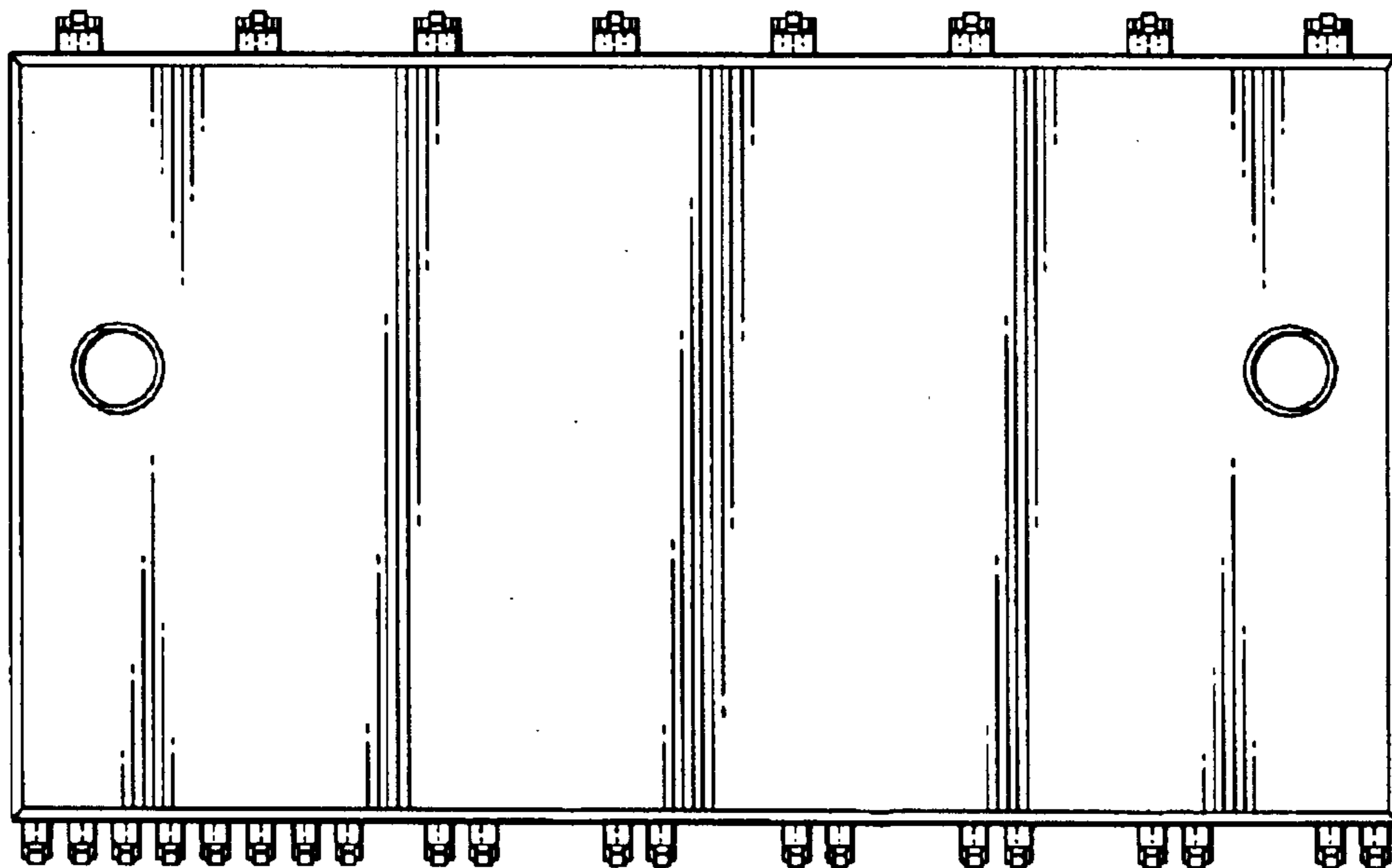


FIG. 3

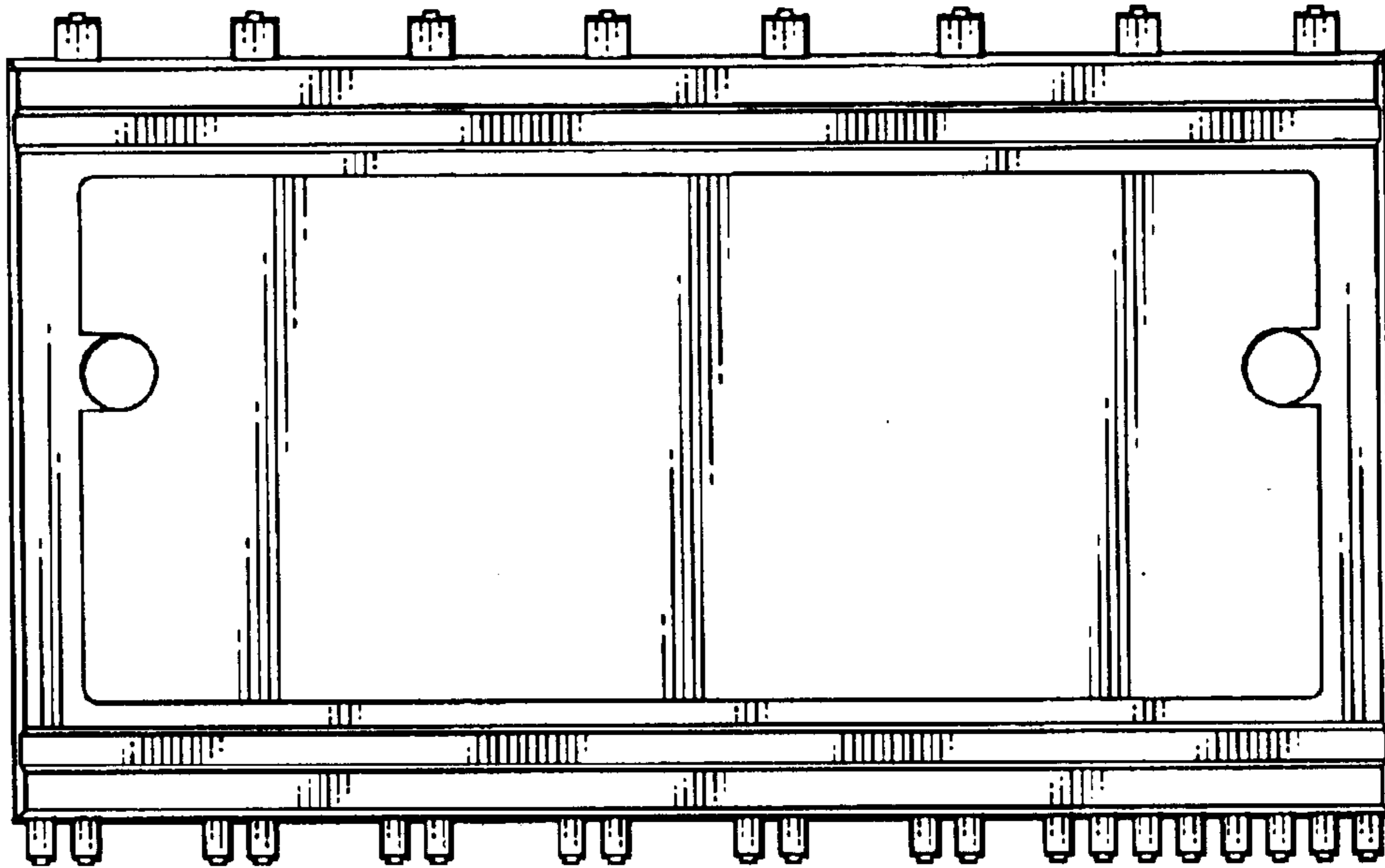


FIG. 4

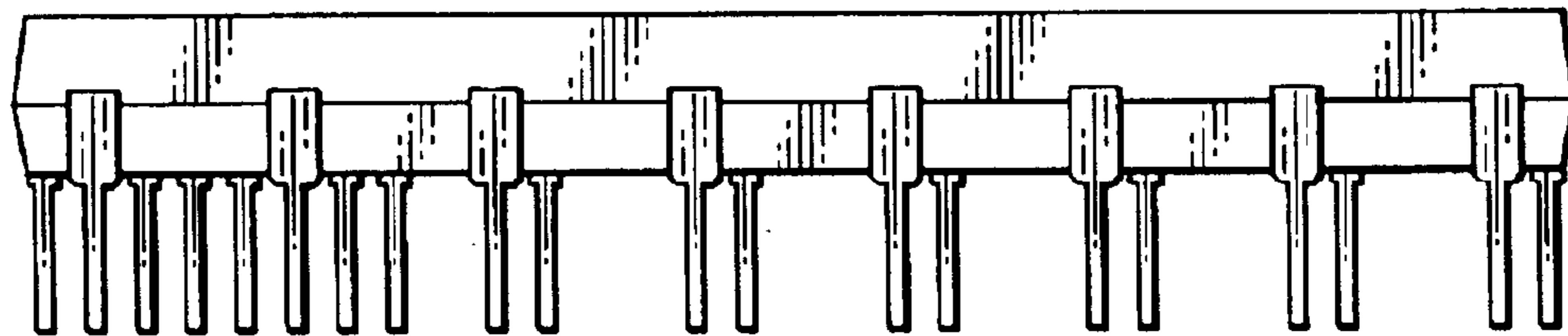


FIG. 5

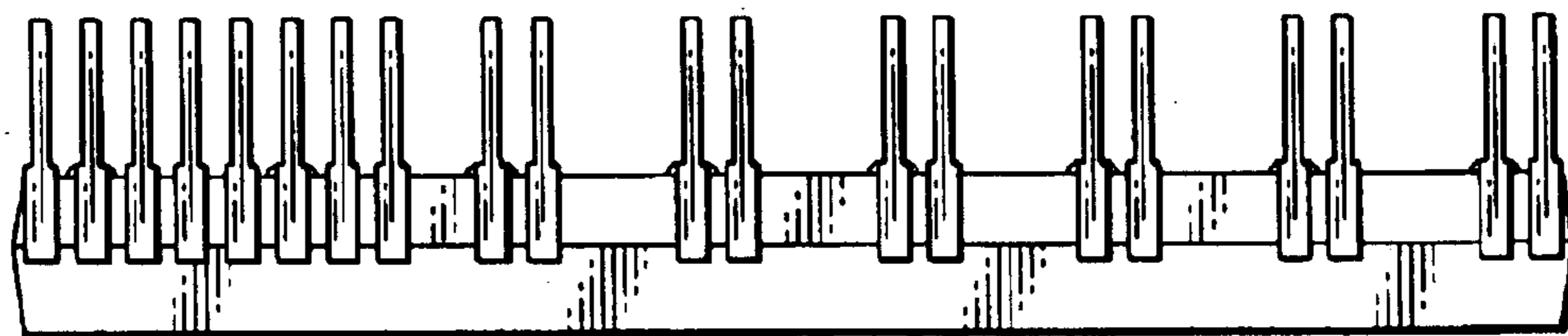


FIG. 6

