

US00D505396S

(12) **United States Design Patent**
Hoshiba

(10) **Patent No.:** **US D505,396 S**

(45) **Date of Patent:** **** May 24, 2005**

(54) **LIGHT EMITTING DIODE**

(75) **Inventor:** **Toshiyuki Hoshiba, Anan (JP)**

(73) **Assignee:** **Nichia Corporation (JP)**

(**) **Term:** **14 Years**

(21) **Appl. No.:** **29/188,871**

(22) **Filed:** **Aug. 26, 2003**

(30) **Foreign Application Priority Data**

Mar. 3, 2003 (JP) 2003-005480
Mar. 3, 2003 (JP) 2003-005483

(51) **LOC (7) Cl.** **13-03**

(52) **U.S. Cl.** **D13/180**

(58) **Field of Search** D13/180, 182;
257/76, 79, 88, 89, 93-99, 434, 676, 678,
687, 690, 698, 787; 313/498, 799, 500;
361/760, 820; 362/226, 241, 249, 250,
307, 555, 800

(56) **References Cited**

U.S. PATENT DOCUMENTS

6,355,946 B1 * 3/2002 Ishinaga 257/98
6,483,623 B1 * 11/2002 Maruyama 398/182
6,495,861 B1 * 12/2002 Ishinaga 257/99
D476,961 S * 7/2003 Horiuchi et al. D13/182
6,624,491 B2 * 9/2003 Waitl et al. 257/434
6,670,648 B2 * 12/2003 Isokawa et al. 257/99

6,707,069 B2 * 3/2004 Song et al. 257/79
D490,387 S * 5/2004 Yagi D13/182
D491,899 S * 6/2004 Yagi D13/180

* cited by examiner

Primary Examiner—Stella Reid

Assistant Examiner—Selina Sikder

(74) *Attorney, Agent, or Firm*—Osha & May, L.L.P.

(57) **CLAIM**

The ornamental design for a light emitting diode, as shown and described.

DESCRIPTION

FIG. 1 shows a front view of the light emitting diode according to my new design.

FIG. 2 shows a top view of the design thereof.

FIG. 3 shows a bottom view of the design thereof.

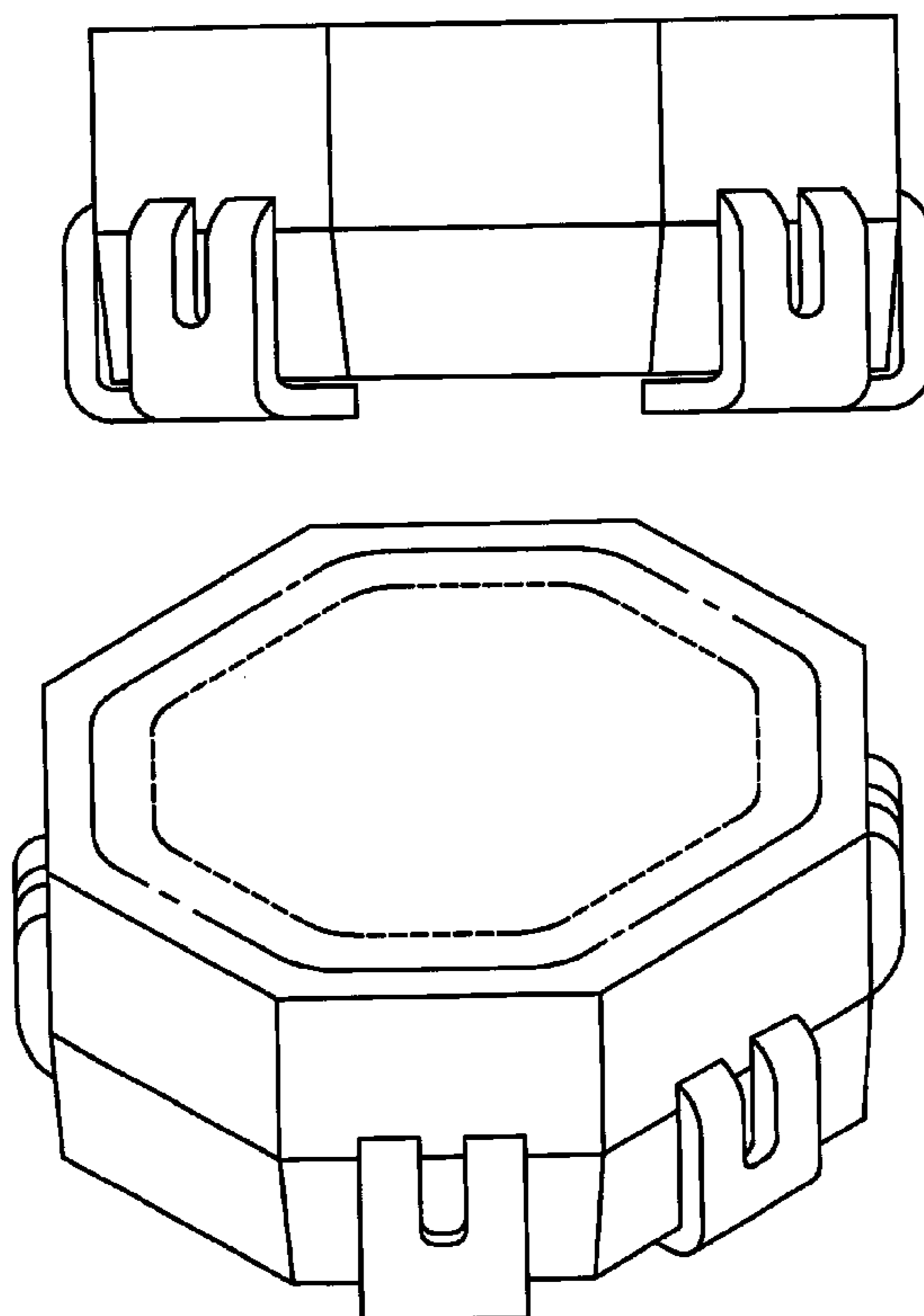
FIG. 4 shows a side view of the design thereof.

FIG. 5 shows a perspective view of the design thereof; and, FIG. 6 shows a top view of the design thereof, showing a view through the translucent surface.

The portions in broken lines (- - - -) are for illustrative portions only and form no part of the claimed design. The chain line (— - —) defines boundaries of the claimed design and form no part thereof.

With respect to the first embodiment, the rear view is identical to the front view and the left side view is identical to the right side view.

1 Claim, 6 Drawing Sheets



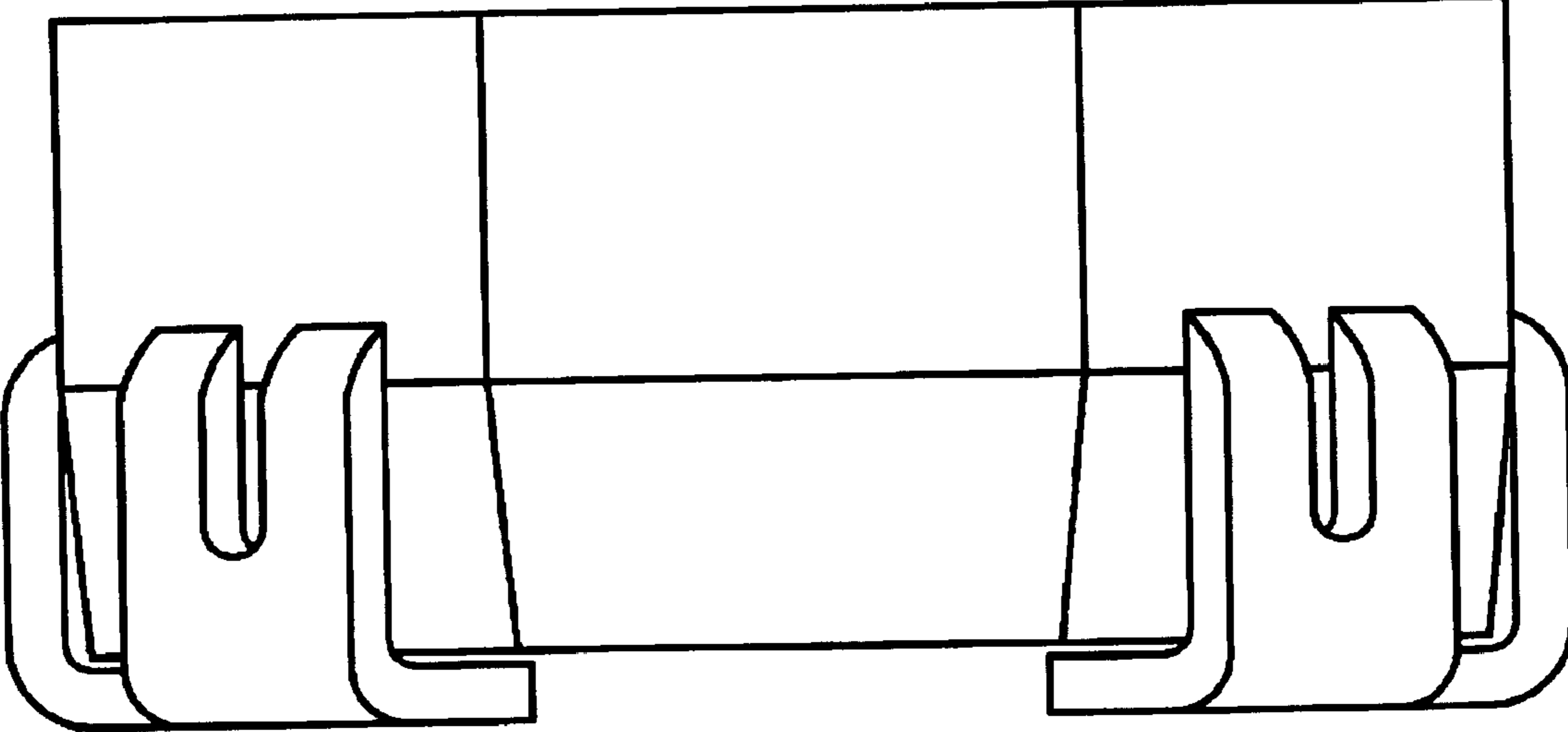


FIGURE 1

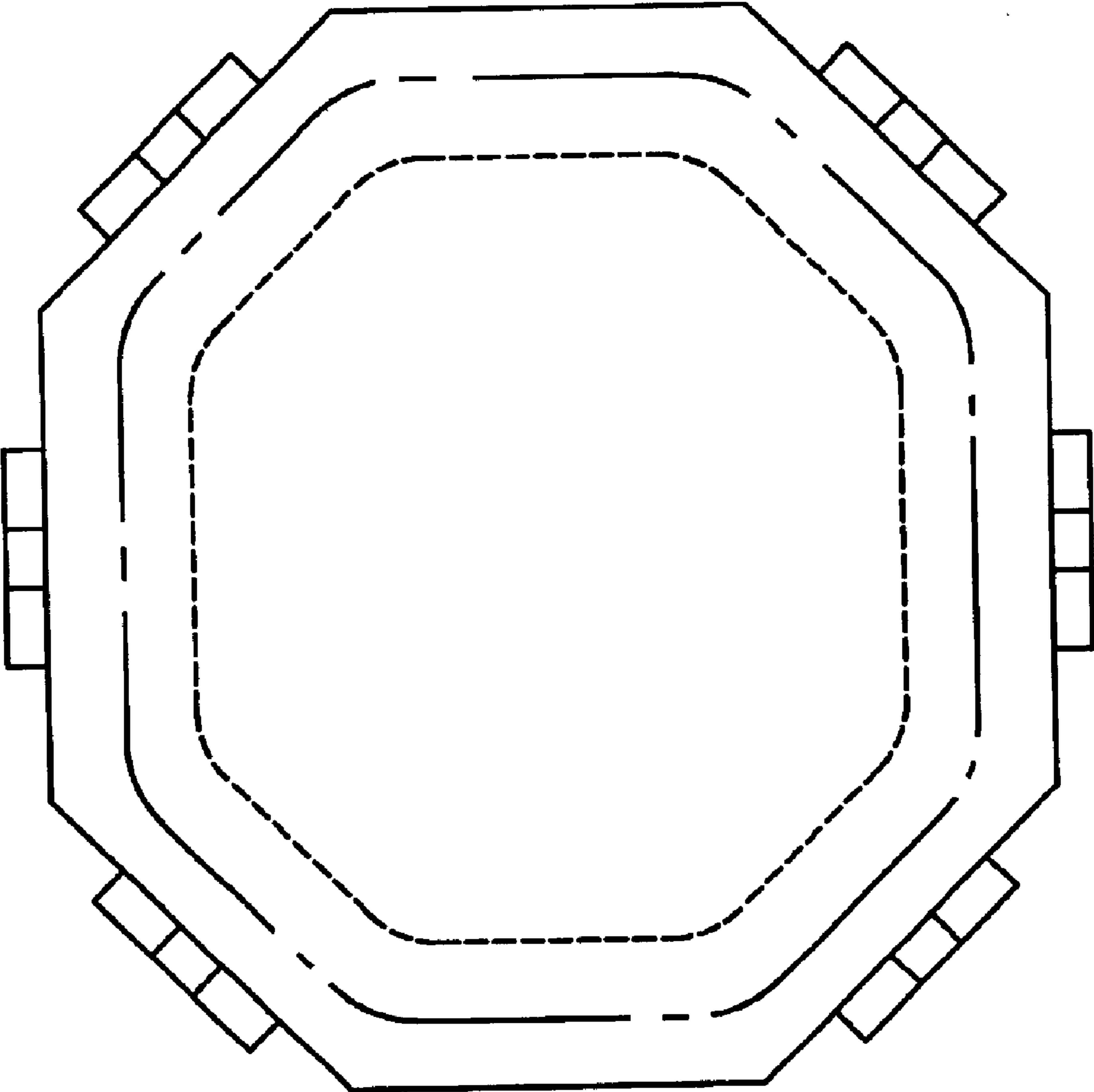


FIGURE 2

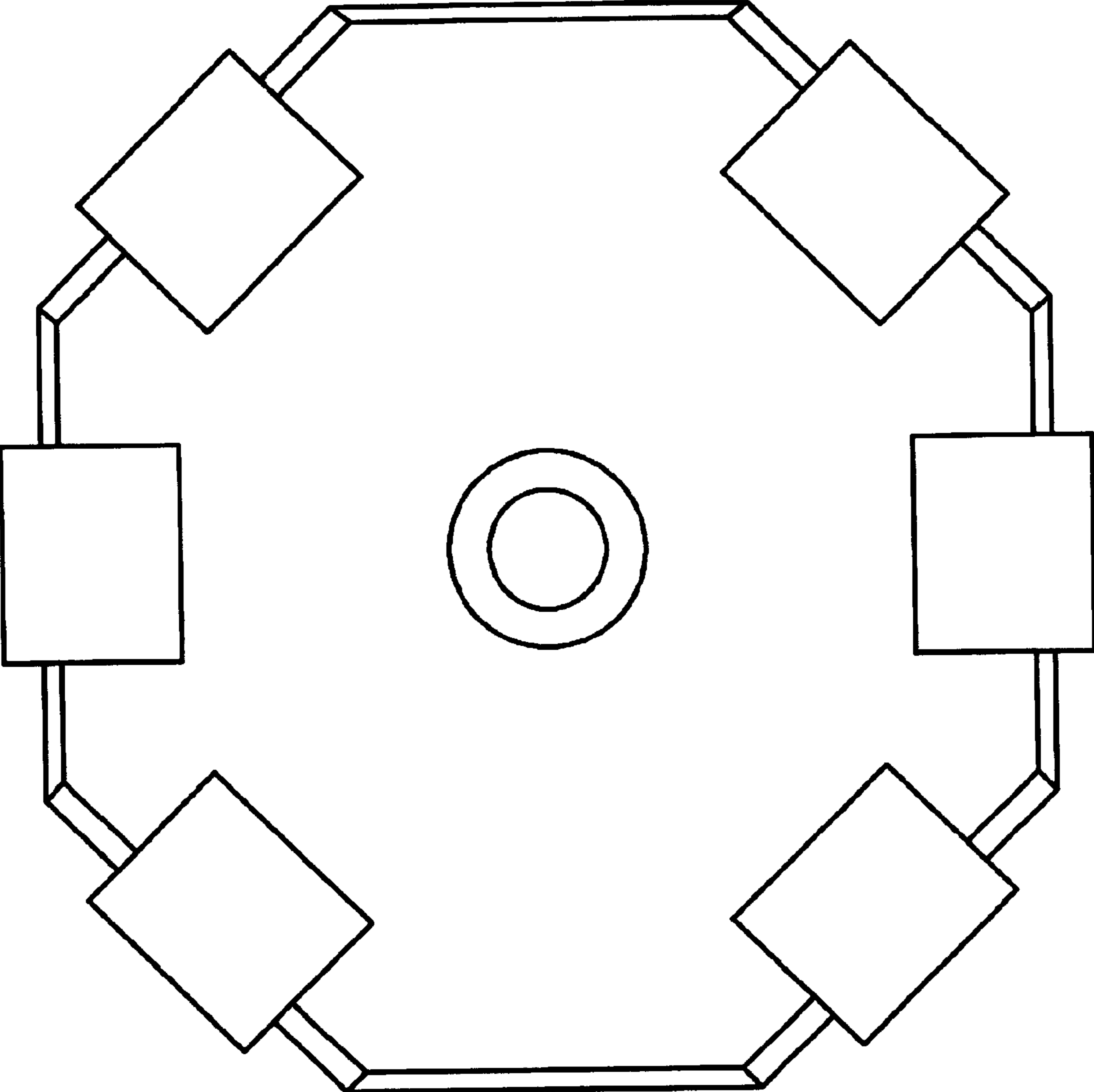


FIGURE 3

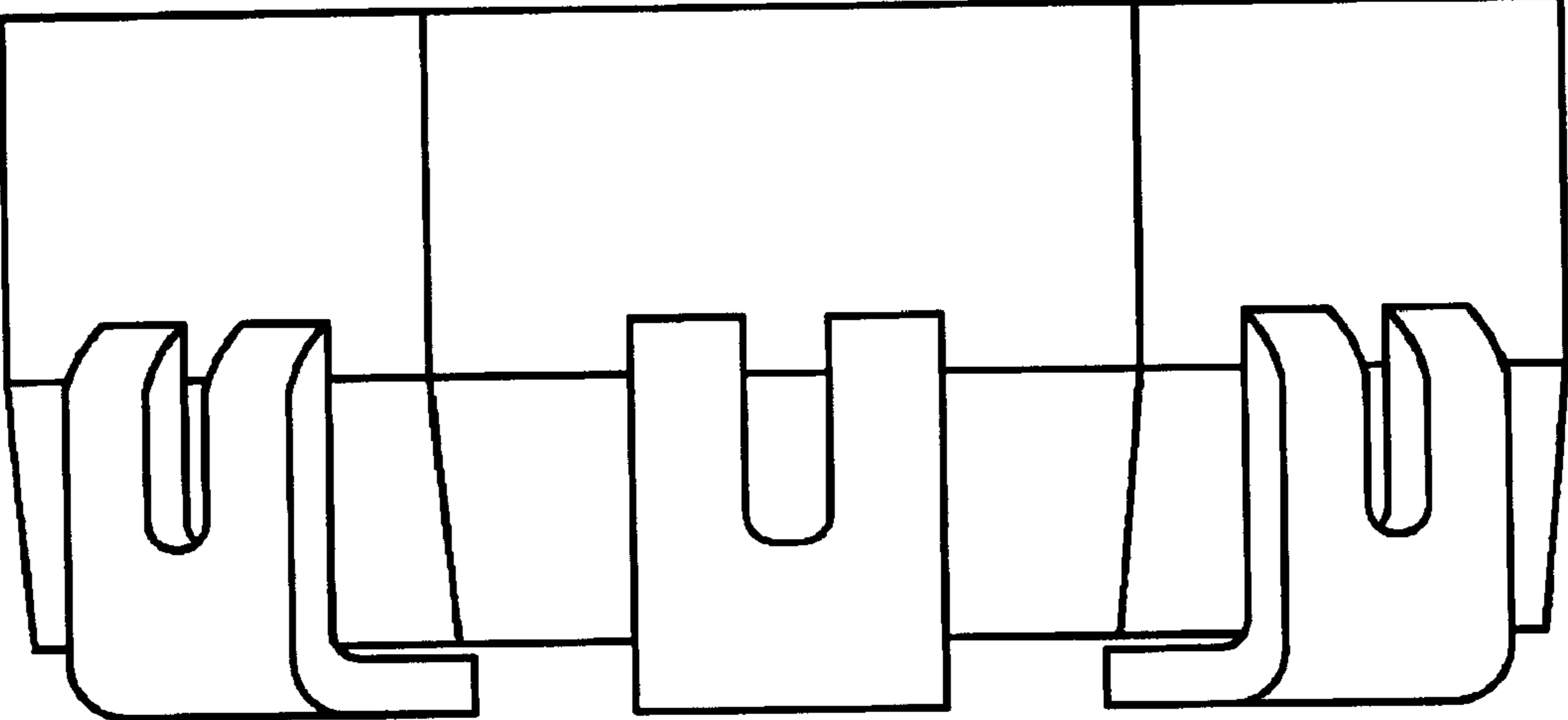


FIGURE 4

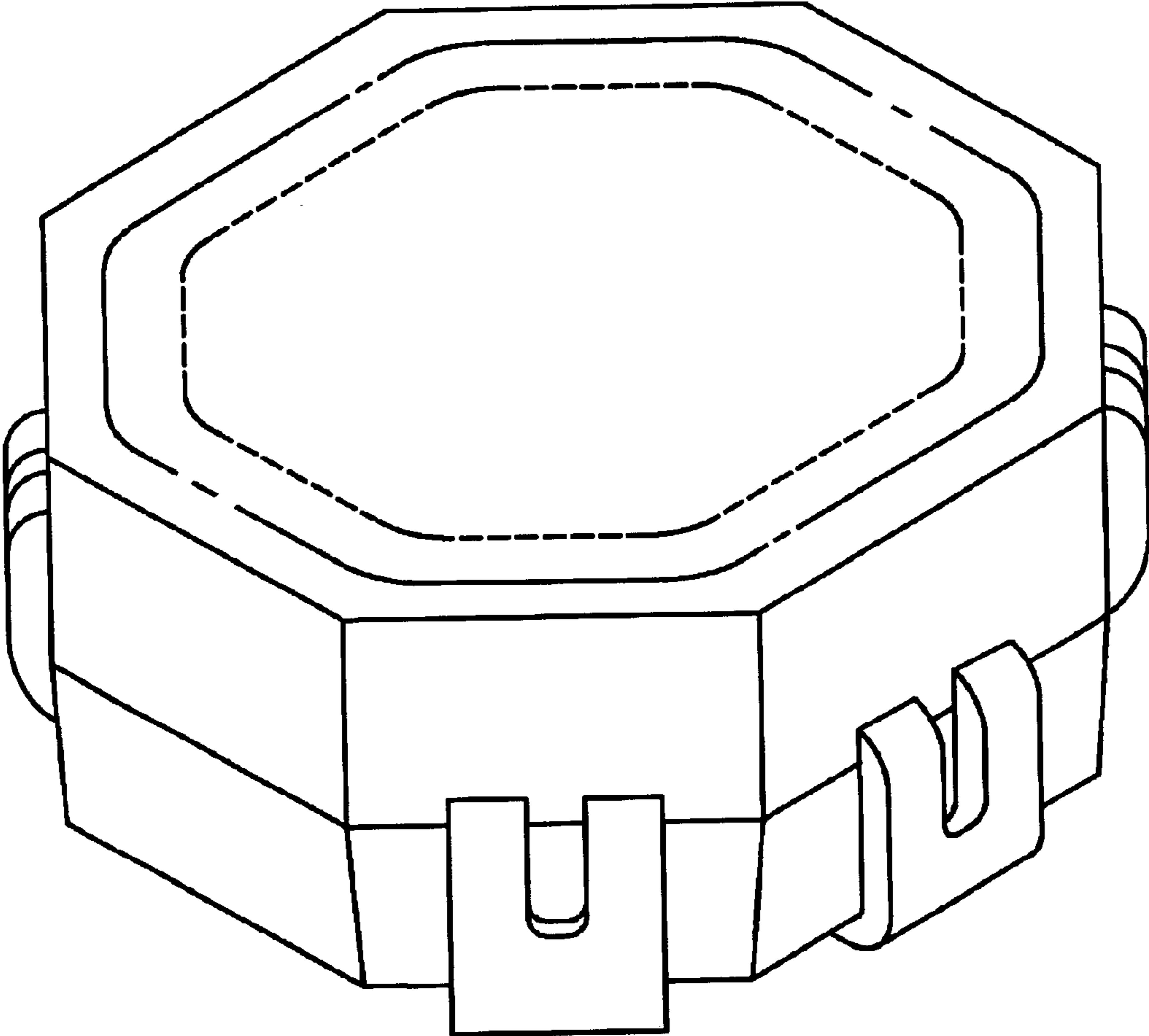


FIGURE 5

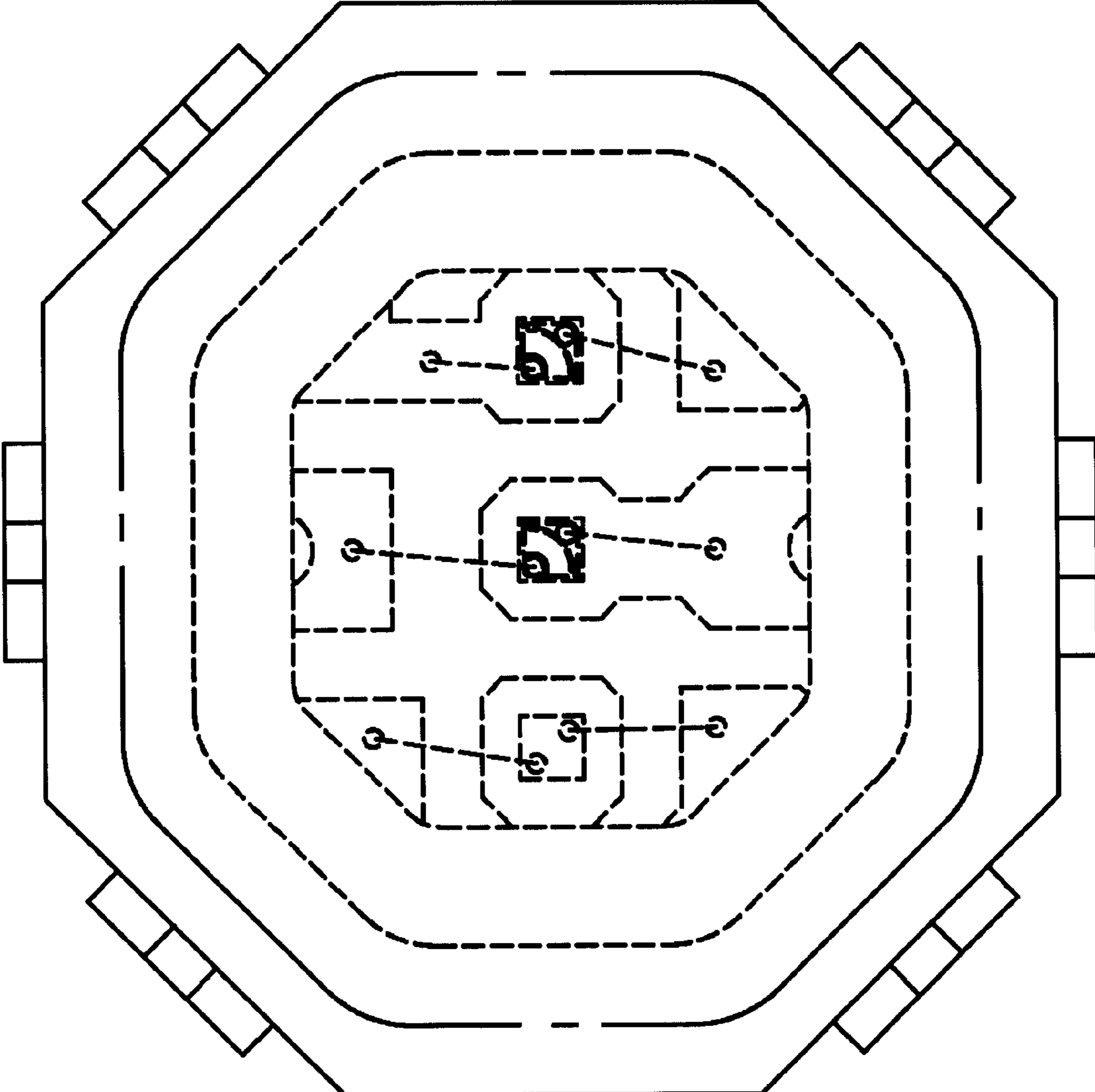


Figure 6