

US00D505395S

(12) **United States Design Patent** (10) **Patent No.:** **US D505,395 S**
Fort et al. (45) **Date of Patent:** **** May 24, 2005**

(54) **ELECTRICAL SWITCH**

(75) Inventors: **Tucker H. Fort**, New York, NY (US);
Mark B. Greenwald, Westport, CT
 (US); **Jean Claude Marcou**, Limoges
 (FR); **Jay J. Mendelson**, Hartsdale, NY
 (US)

(73) Assignee: **Cooper Wiring Devices, Inc.**,
 Peachtree City, GA (US)

(**) Term: **14 Years**

(21) Appl. No.: **29/215,092**

(22) Filed: **Oct. 13, 2004**

Related U.S. Application Data

(62) Division of application No. 29/193,478, filed on Nov. 10, 2003.

(51) **LOC (7) Cl.** **13-03**

(52) **U.S. Cl.** **D13/170; D13/177**

(58) **Field of Search** D13/169, 170,
 D13/174, 177; D8/350-353; 174/48, 52.1,
 66, 55, 5 A, 5 R, 16 R, 42.01, 237, 241,
 293, 296, 297, 308, 310, 313, 314, 324,
 329, 331, 341, 579, 547, 531, 536, 541,
 550, 571; 315/129, 136, 291, 362; 361/622,
 643

(56) **References Cited**

U.S. PATENT DOCUMENTS

- | | | |
|-------------|---------|--------------------|
| 4,631,354 A | 12/1986 | Boteler |
| 4,835,343 A | 5/1989 | Graef et al. |
| D308,045 S | 5/1990 | Counts et al. |
| D310,819 S | 9/1990 | Watson et al. |
| D310,820 S | 9/1990 | Watson et al. |
| D311,678 S | 10/1990 | Graef et al. |
| 5,017,837 A | 5/1991 | Hanna et al. |
| 5,073,681 A | 12/1991 | Hubben et al. |
| D325,567 S | 4/1992 | Jacoby, Jr. et al. |
| D329,635 S | 9/1992 | Tsai |

- | | | |
|-------------|-----------|----------------------------|
| D335,282 S | 5/1993 | Jurell et al. |
| D335,867 S | 5/1993 | Rowen |
| 5,248,919 A | 9/1993 | Hanna et al. |
| D353,798 S | 12/1994 | Bryde et al. |
| 5,399,940 A | 3/1995 | Hanna et al. |
| D364,141 S | 11/1995 | Hanna et al. |
| D376,130 S | * 12/1996 | Elwell et al. D13/158 |
| 5,637,930 A | 6/1997 | Rowen et al. |
| D380,451 S | 7/1997 | Krajci et al. |
| D392,256 S | 3/1998 | Saint-Cyr et al. |
| 5,723,817 A | 3/1998 | Arenas et al. |
| 5,895,888 A | * 4/1999 | Arenas et al. 174/66 |
| 6,005,308 A | 12/1999 | Bryde et al. |
| D450,043 S | 11/2001 | Mosebrook |

(Continued)

OTHER PUBLICATIONS

Lutron product brochure for "Maestro the High-Tech Multi-Location Dimmer", pp. 56-59.

(Continued)

Primary Examiner—Stella Reid
Assistant Examiner—Selina Sikder

(74) *Attorney, Agent, or Firm*—Ostrager Chong Flaherty & Broitman P.C.

(57) **CLAIM**

The ornamental design for an electrical switch, as shown and described.

DESCRIPTION

FIG. 1 is a front, bottom and right side perspective view of the design.

FIG. 2 is a front view thereof.

FIG. 3 is a right side view thereof.

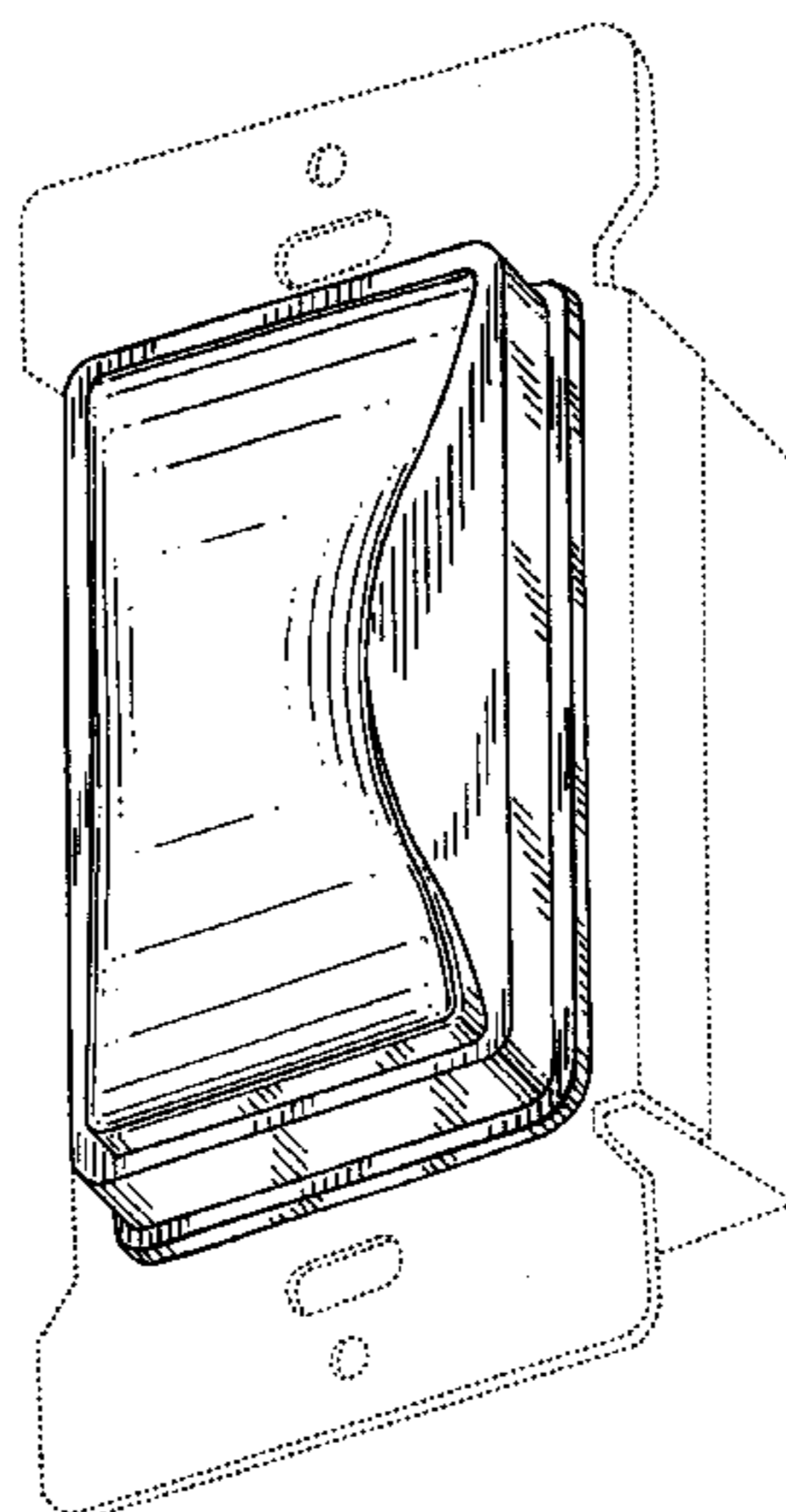
FIG. 4 is a left side view thereof.

FIG. 5 is a top plan view thereof; and,

FIG. 6 is a bottom plan view thereof.

In all of the views, the dotted lines are for environmental purposes only and form no part of the claimed design. The rear is not part of the claimed design.

1 Claim, 3 Drawing Sheets



U.S. PATENT DOCUMENTS

D463,382 S 9/2002 Jacoby
D471,879 S 3/2003 Mayo et al.
D471,880 S 3/2003 Mayo et al.
D472,221 S 3/2003 Mayo et al.
D472,526 S 4/2003 Mayo et al.
D472,527 S 4/2003 Mayo et al.
6,545,434 B2 4/2003 Sembhi et al.
D477,575 S * 7/2003 Mayo et al. D13/171
D482,007 S * 11/2003 Mayo et al. D13/171

OTHER PUBLICATIONS

Lutron product brochure for “FAEDRA Smart Dimmer—For Standard Wallplate”, Lutron Electronics Co., Inc. (2002).
Lutron Ordering Guide for “FAEDRA Smart Dimmer—For Standard Wallplate”, Lutron Electronics Co., Inc. (2002).
Product Specification Sheets for Onset Low-Wattage Incandescent Dimmer, Lightolier Controls (1997).
Ordering Guide for ONSET digital dimmers and controls, pp. 10–11, Lightolier Control (1997).

Product Specification Sheet for Onset Channel Remote, Lightolier Controls (1997).

Product Brochure for The Mural Collection, Leviton Manufacturing Co., Inc. (2000).

Product Specifications for MURAL Lighting Controls, Leviton Manufacturing Co., Inc. (1999).

Product Specifications for Mural Level Set (LS) Lighting Controls, Leviton Manufacturing Co., Inc. (2000).

Installation and Operating Instructions for IMPRESSIONS 3–Key Incandescent Touch Dimmers, Pass & Seymour, May 1992.

IMPRESSIONS Electrical Wiring Devices and Accessories, Pass & Seymour, Apr. 1991.

Catalog for LEVITON Wiring Devices for Construction and Maintenance, Leviton Manufacturing Co., Inc. (2000).

LUTRON Residential Lighting Controls Catalog. pp. 70–73. Lutron Electronics Co., Inc. (2001).

* cited by examiner

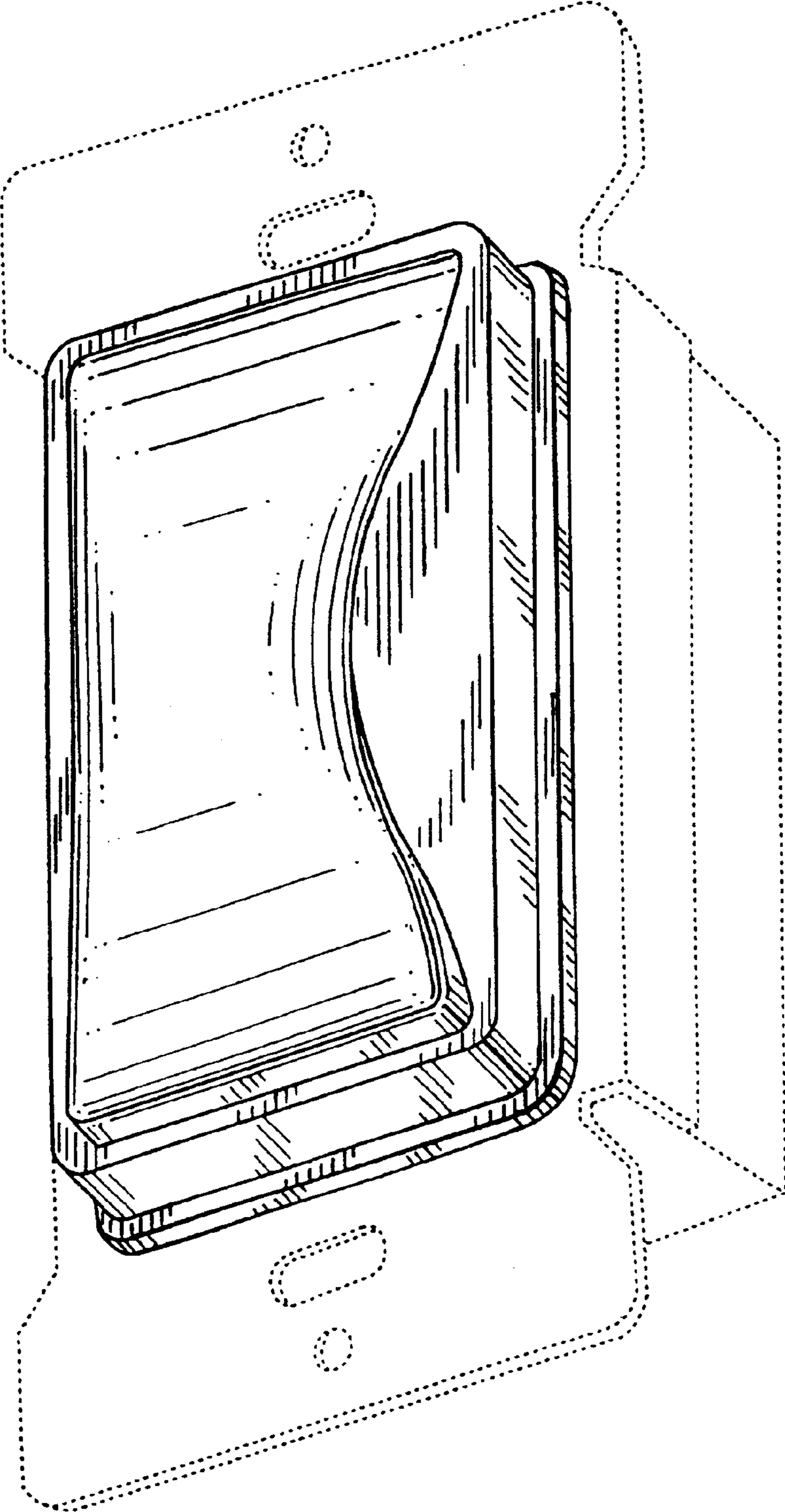


FIG. 1

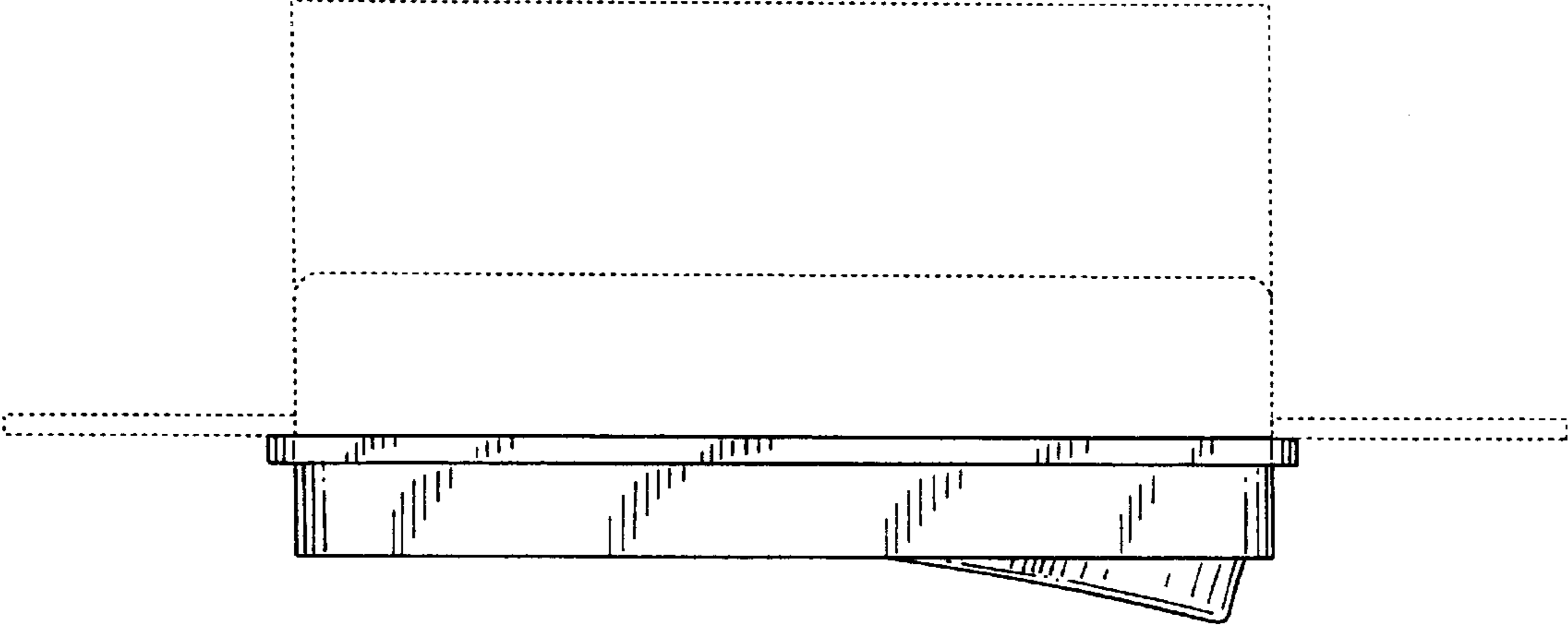


FIG. 3

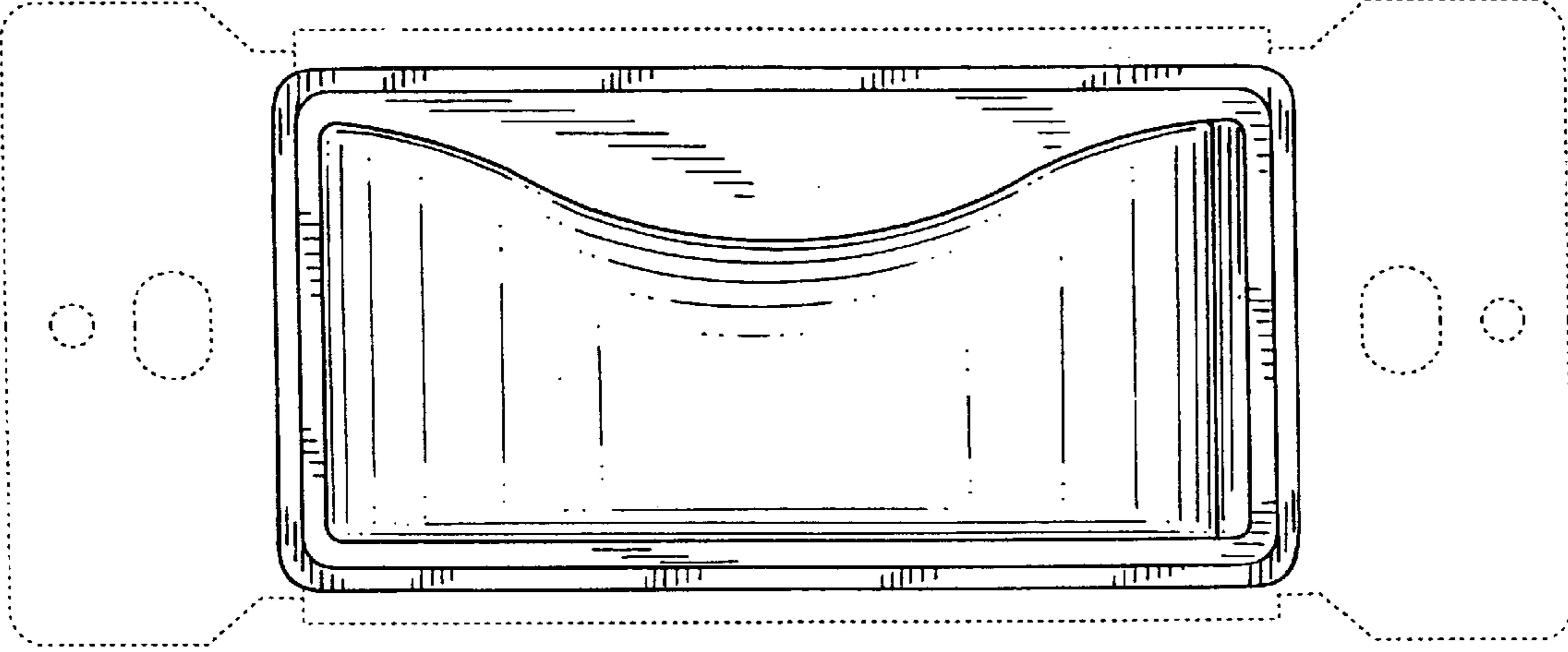


FIG. 2

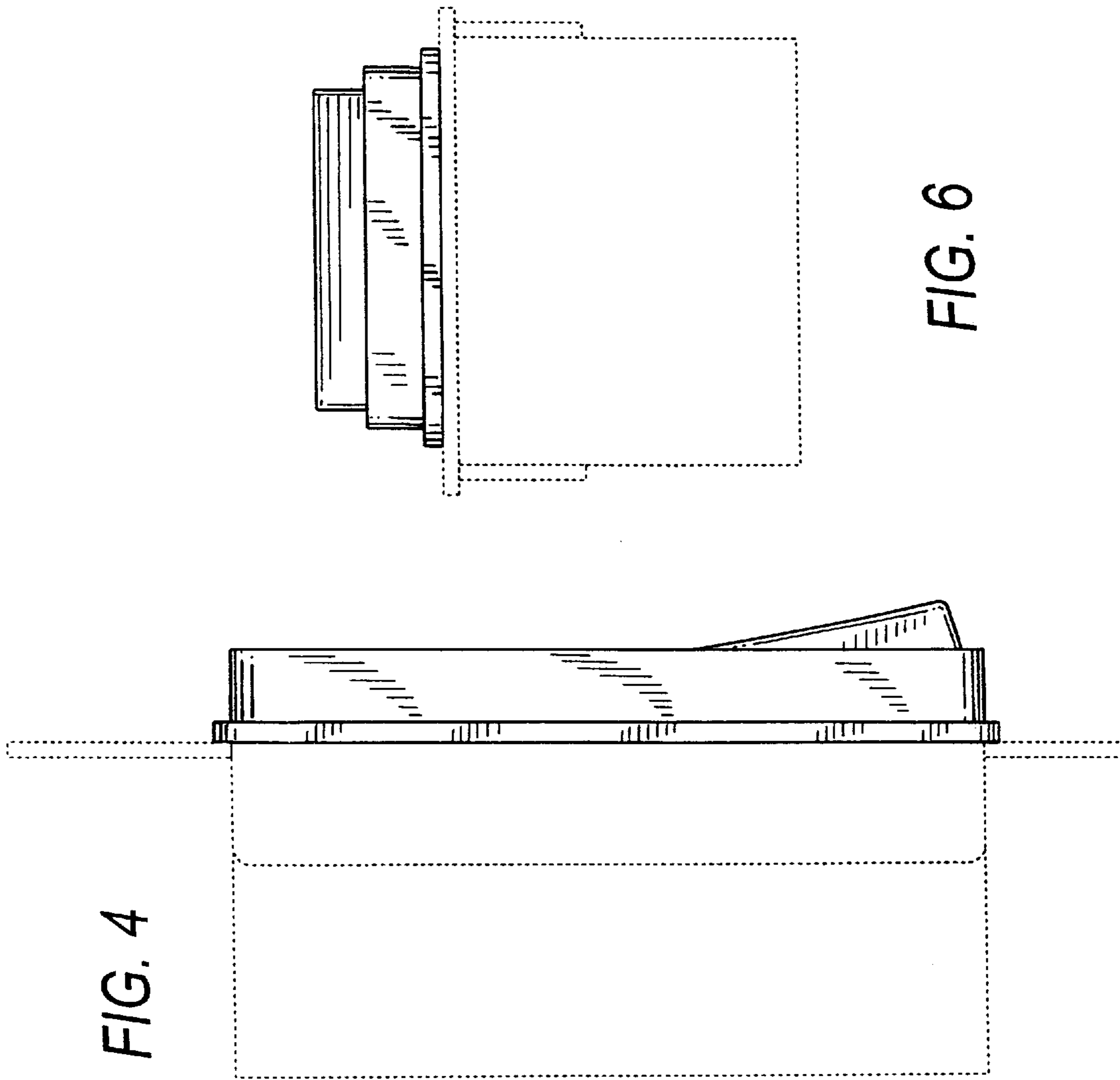


FIG. 4

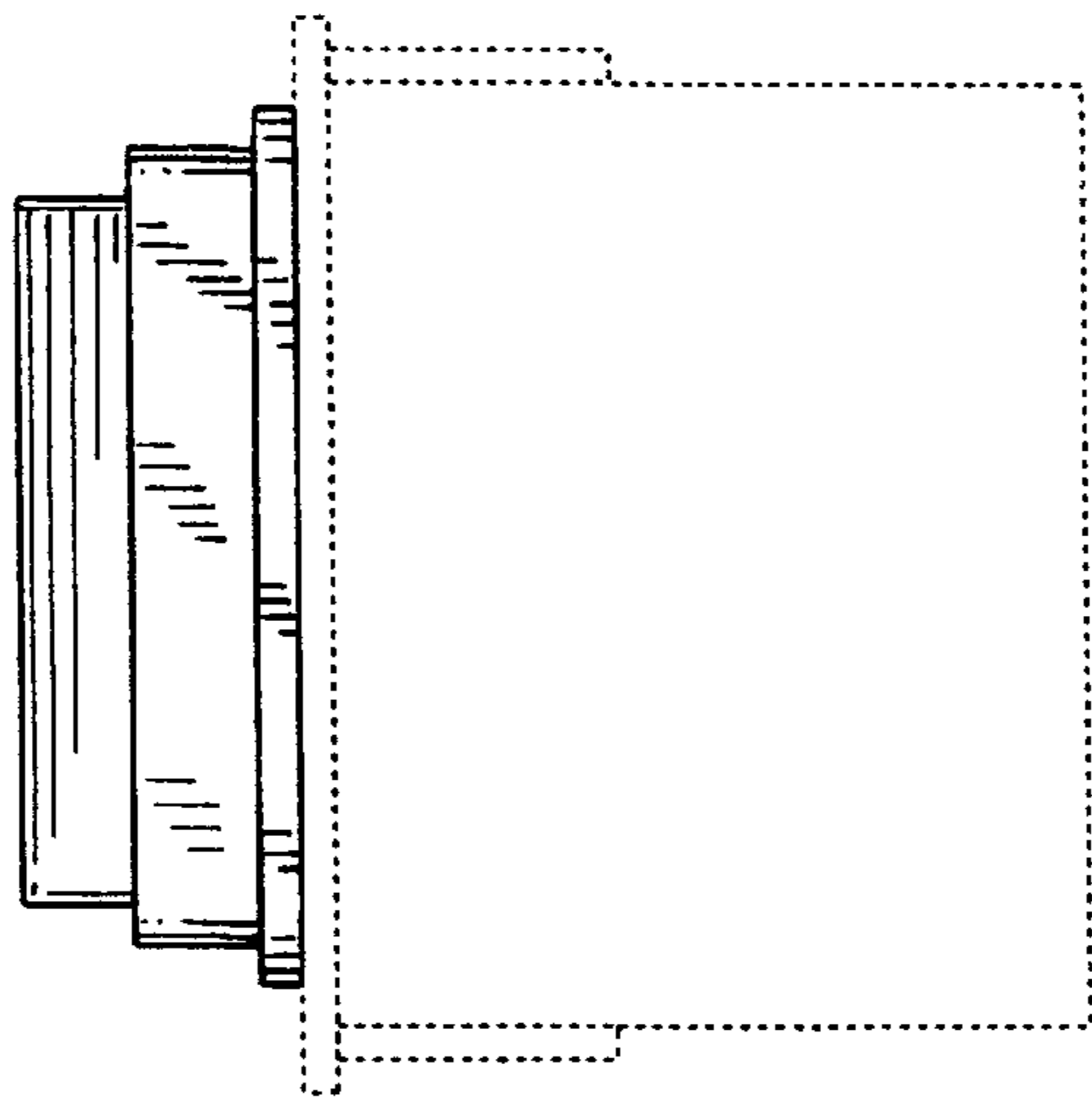


FIG. 6

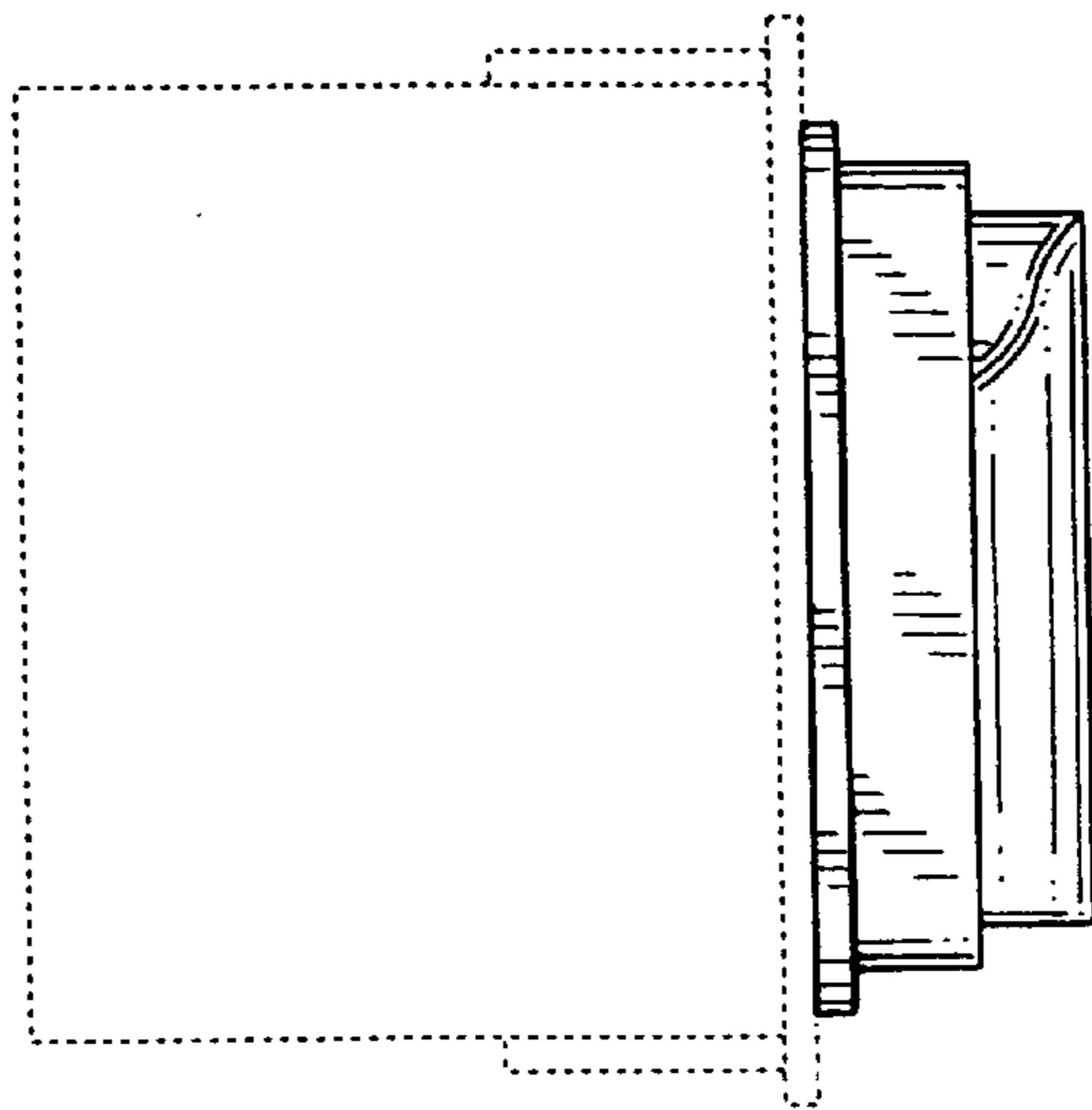


FIG. 5