

US00D505392S

(12) **United States Design Patent**
Begg et al.

(10) **Patent No.:** **US D505,392 S**
(45) **Date of Patent:** **** May 24, 2005**

(54) **CONTROL PANEL FOR A HYDROGEN GENERATION SYSTEM**

(75) Inventors: **John Charles Begg**, Sidney (CA);
David J. Cirjak, Burnaby (CA)

(73) Assignee: **Texaco Inc.**, San Ramon, CA (US)

(**) Term: **14 Years**

(21) Appl. No.: **29/158,647**

(22) Filed: **Apr. 5, 2002**

(51) **LOC (7) Cl.** **13-03**

(52) **U.S. Cl.** **D13/162**

(58) **Field of Search** D13/162, 158,
D13/162.1, 163; 200/5 R; 429/17, 19, 22;
D15/199

(56) **References Cited**

U.S. PATENT DOCUMENTS

- D323,647 S * 2/1992 Schott et al. D13/162
- D369,514 S * 5/1996 Baldwin D7/406
- D404,391 S * 1/1999 Herbstritt et al. D13/162
- D410,008 S * 5/1999 Almqvist D14/223
- D424,104 S * 5/2000 Rorke et al. D18/56

- D432,995 S * 10/2000 Hubler et al. D13/162
- D443,595 S * 6/2001 Pawley D13/167
- D449,720 S * 10/2001 Costello D32/28
- D457,862 S * 5/2002 Falk et al. D13/162

* cited by examiner

Primary Examiner—Philip S. Hyder

(74) *Attorney, Agent, or Firm*—Frank C. Turner; Howrey
Simon et al.

(57) **CLAIM**

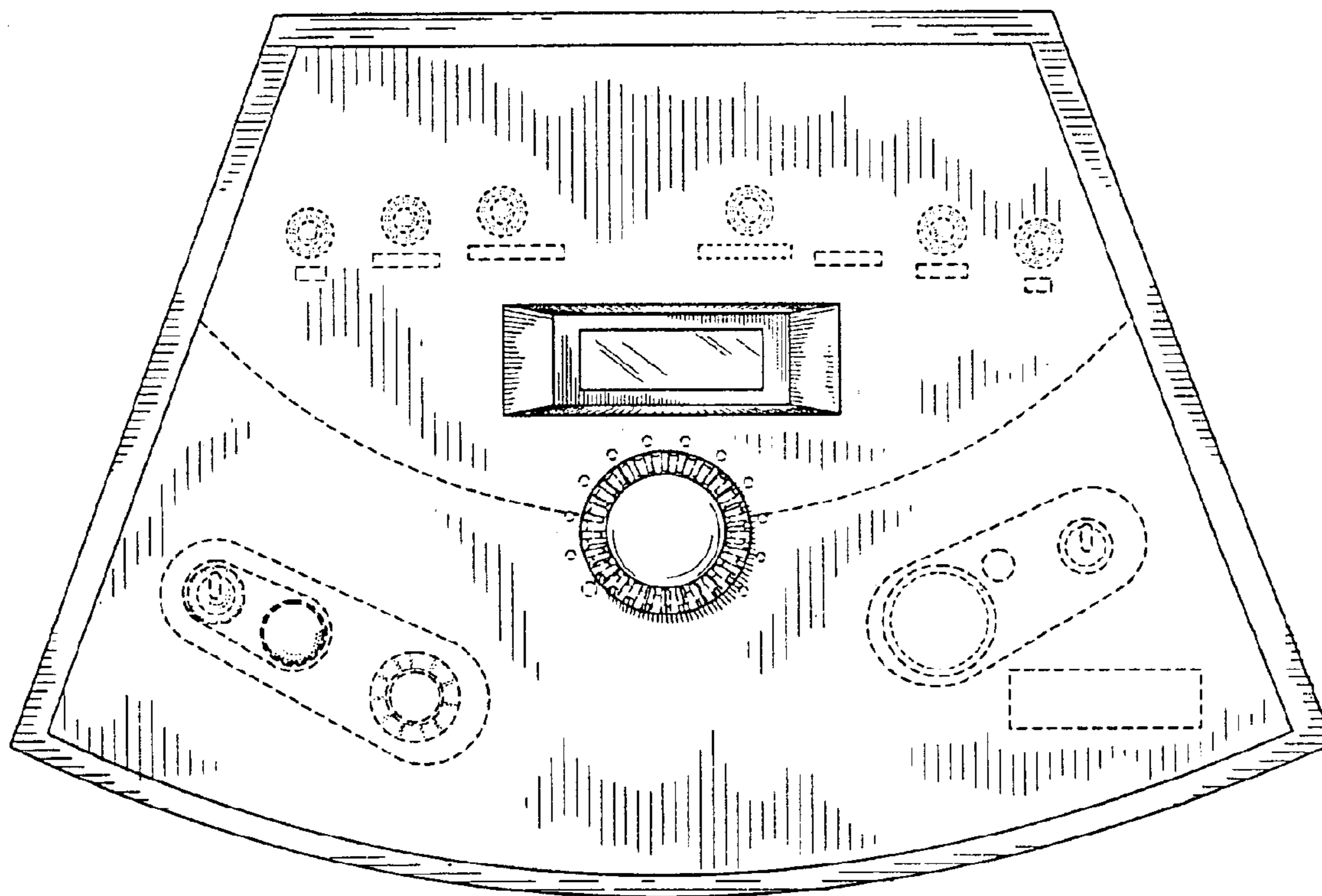
The ornamental design for a control panel for a hydrogen generation system, as shown and described.

DESCRIPTION

FIG. 1 is a front view of a control panel for a hydrogen generation system of the new design; and, FIG. 2 is a front, right side, and top perspective view of a control panel for a hydrogen generation system of the new design in the environment of an enclosure for a hydrogen generation system.

The broken lines showing of the environment structure and the indicia are for illustrative purposes only and form no part of the claimed design.

1 Claim, 2 Drawing Sheets



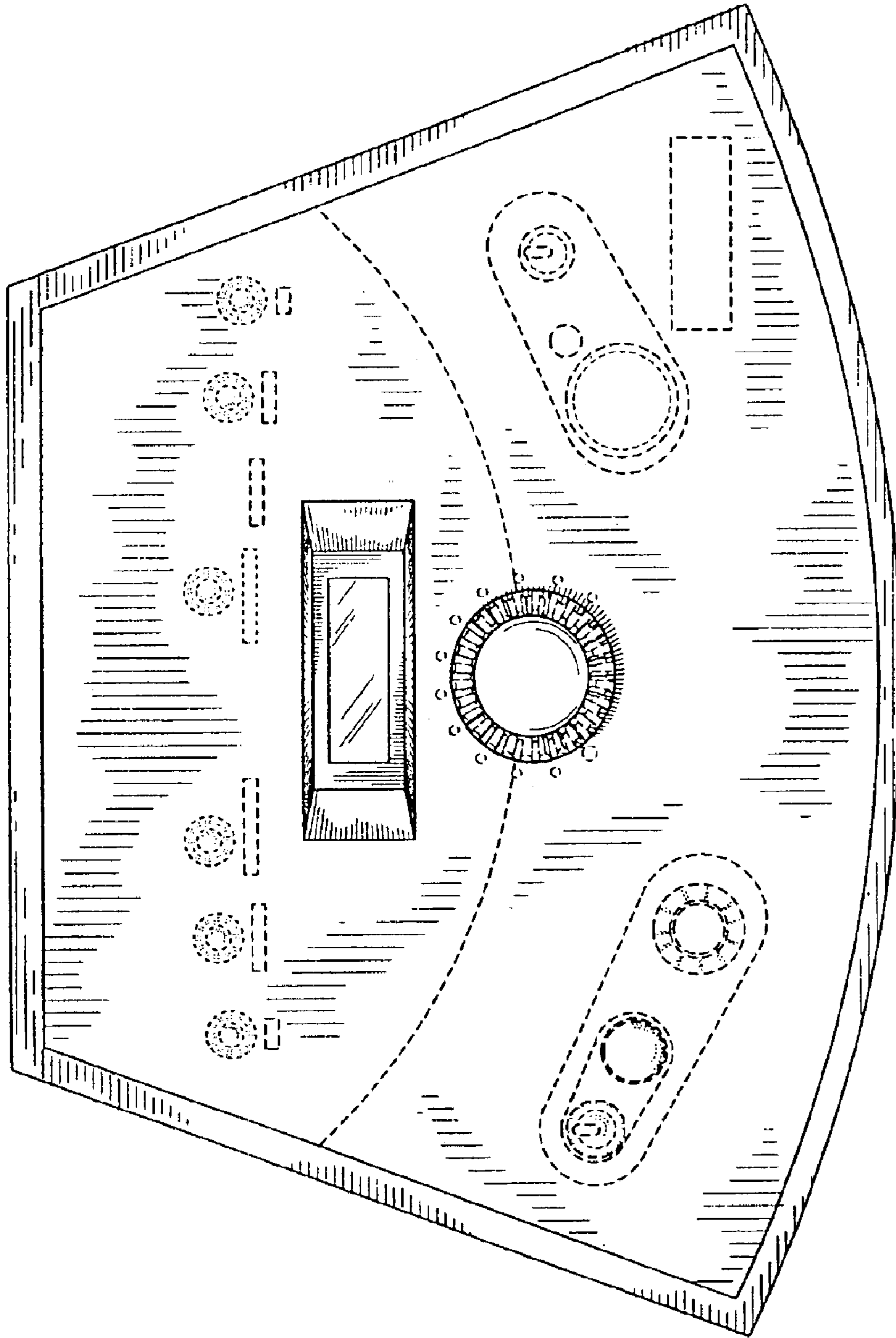


FIG. 1

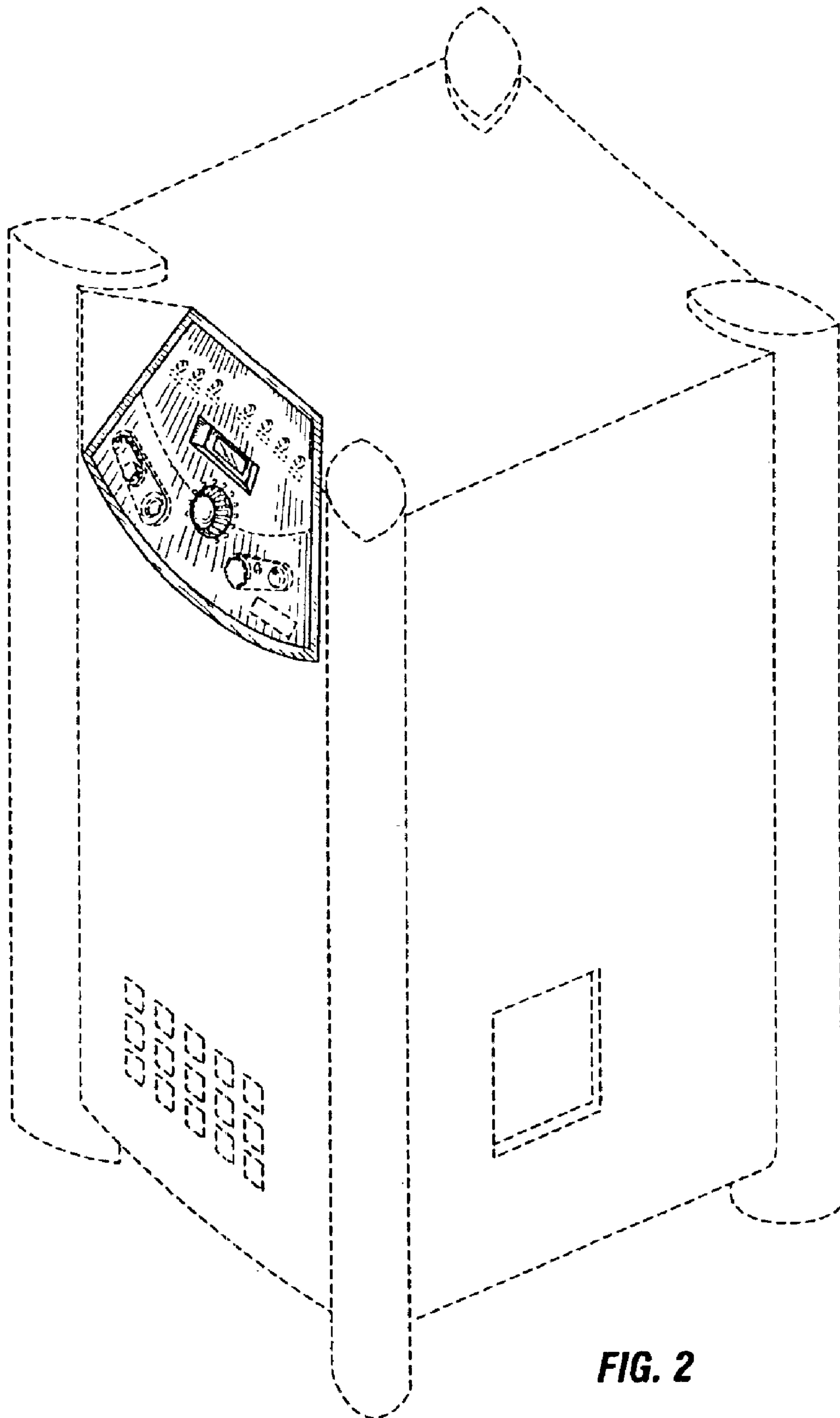


FIG. 2