

US00D505391S

(12) **United States Design Patent** (10) **Patent No.:** **US D505,391 S**  
**Rodrigues et al.** (45) **Date of Patent:** **\*\* May 24, 2005**

(54) **COAXIAL CABLE CONNECTOR**  
(75) Inventors: **Julio F. Rodrigues**, Collierville, TN (US); **Salvatore J. Abbruzzese**, Piscataway, NJ (US); **Brian S. Welborn**, The Woodlands, TX (US)  
(73) Assignee: **Thomas & Betts International, Inc.**, Sparks, NV (US)  
(\*\*) Term: **14 Years**

(21) Appl. No.: **29/176,413**  
(22) Filed: **Feb. 21, 2003**

**Related U.S. Application Data**

(62) Division of application No. 09/852,343, filed on May 9, 2001, now Pat. No. 6,530,807.  
(51) **LOC (7) Cl.** ..... **13-03**  
(52) **U.S. Cl.** ..... **D13/151; D13/133**  
(58) **Field of Search** ..... **D13/133; 439/578, 439/584, 585, 583**

(56) **References Cited**

**U.S. PATENT DOCUMENTS**

1,667,485 A	4/1928	Macdonald	
3,184,706 A	5/1965	Atkins	
3,668,612 A	6/1972	Nepovim	
3,854,003 A	12/1974	Duret	
3,907,399 A	9/1975	Spinner	
4,408,822 A	10/1983	Nikitas	
4,614,390 A	9/1986	Baker	
4,640,572 A	2/1987	Conlon	
4,717,355 A	1/1988	Mattis	
4,789,355 A	12/1988	Lee	
4,834,675 A	5/1989	Samchisen	439/578
4,902,246 A	2/1990	Samchisen	439/578
4,973,265 A	11/1990	Heeren	439/584
5,024,606 A	6/1991	Ming-Hwa	439/578
5,161,993 A	11/1992	Leibfried, Jr.	439/320
5,207,602 A	5/1993	McMills et al.	439/836
5,295,864 A	3/1994	Birch et al.	439/578
5,354,217 A	10/1994	Gabel et al.	439/583
5,435,745 A	7/1995	Booth	439/584

5,470,257 A	11/1995	Szegda	439/578
5,571,028 A	11/1996	Szegda	439/322
5,620,339 A	4/1997	Gray et al.	439/578
5,632,651 A	5/1997	Szenga	439/578
5,879,191 A	3/1999	Burris	439/584
6,089,912 A *	7/2000	Tallis et al.	439/584
D436,076 S	1/2001	Montena	D13/133
D437,826 S	2/2001	Montena	D13/133
D440,539 S	4/2001	Montena	D13/133
D440,939 S	4/2001	Montena	D13/133
6,210,222 B1	4/2001	Langham et al.	439/583
6,267,621 B1	7/2001	Pitschi et al.	439/584
D458,904 S	6/2002	Montena	D13/154
D460,739 S	7/2002	Fox	D13/154
D461,166 S	8/2002	Montena	D13/151
D461,778 S	8/2002	Fox	D13/151
D462,058 S	8/2002	Montena	D13/151
D462,060 S	8/2002	Fox	D13/154
D462,327 S	9/2002	Montena	D13/151
D468,696 S	1/2003	Montena	D13/151

\* cited by examiner

*Primary Examiner*—Philip S. Hyder  
(74) *Attorney, Agent, or Firm*—Hoffmann & Baron, LLP

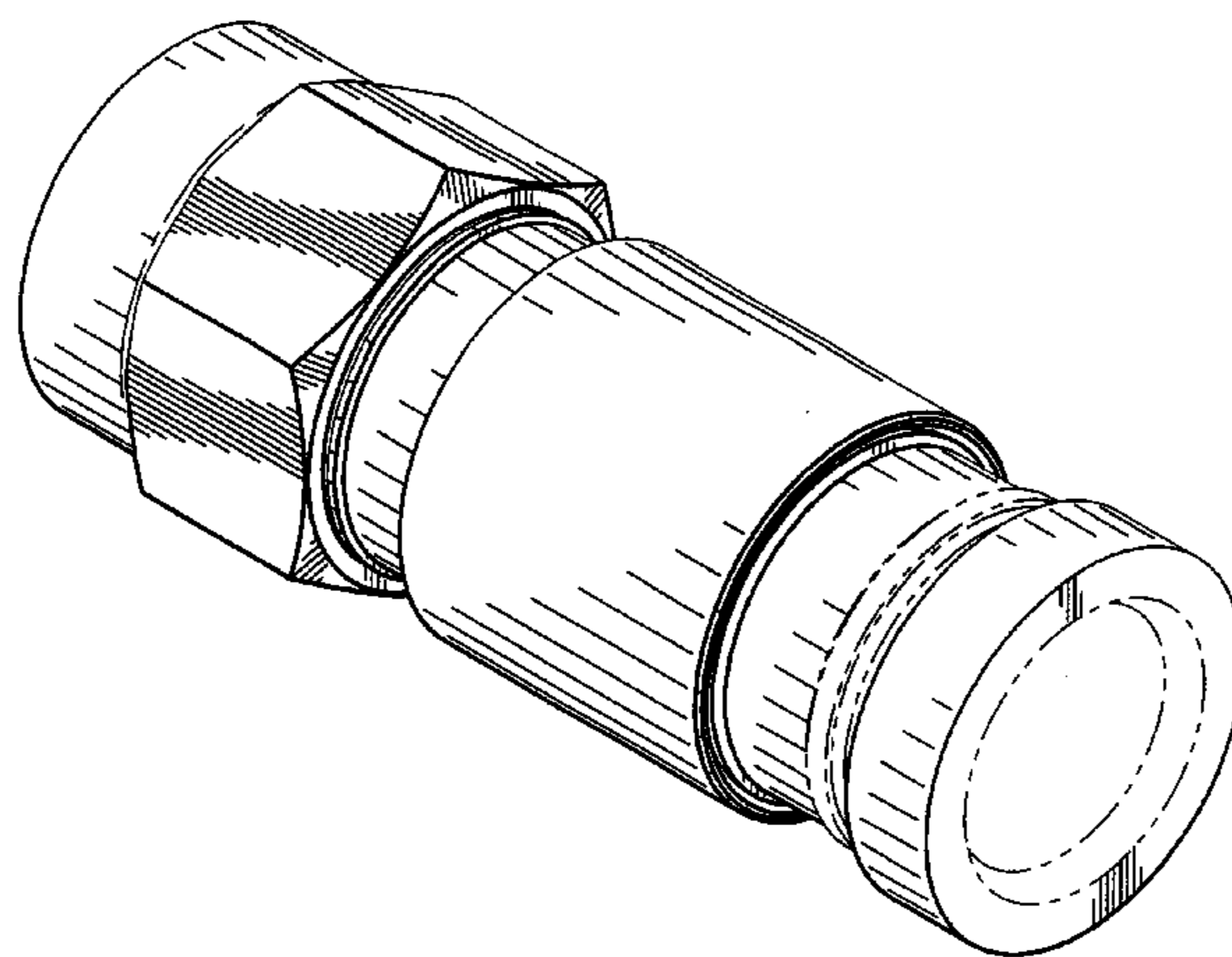
(57) **CLAIM**

The ornamental design for a coaxial cable connector, as shown and described.

**DESCRIPTION**

FIG. 1 is a perspective view of a coaxial cable connector showing my new design, wherein the interior details thereof shown broken line form are for illustrative purposes only and form no part of the claimed design;  
FIG. 2 is a side elevational showing of the coaxial cable connector of FIG. 1.  
FIG. 3 is a left end view thereof; wherein the interior details thereof shown broken line form are for illustrative purposes only and form no part of the claimed design; and,  
FIG. 4 is a right end view thereof; wherein the interior details thereof shown broken line form are for illustrative purposes only and form no part of the claimed design.  
The portion shown in broken lines in the above Figure form no part of the claimed invention.

**1 Claim, 1 Drawing Sheet**



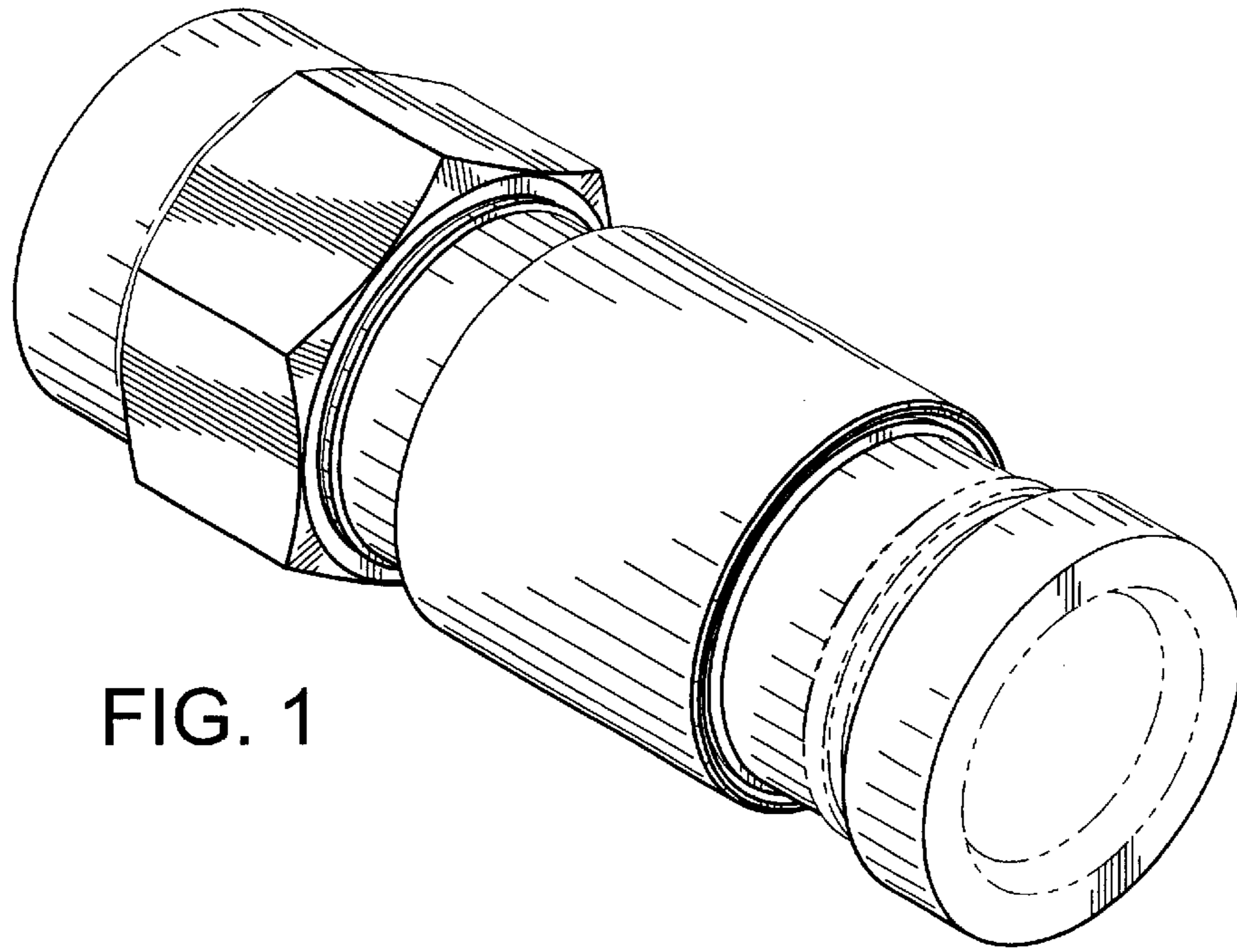


FIG. 1

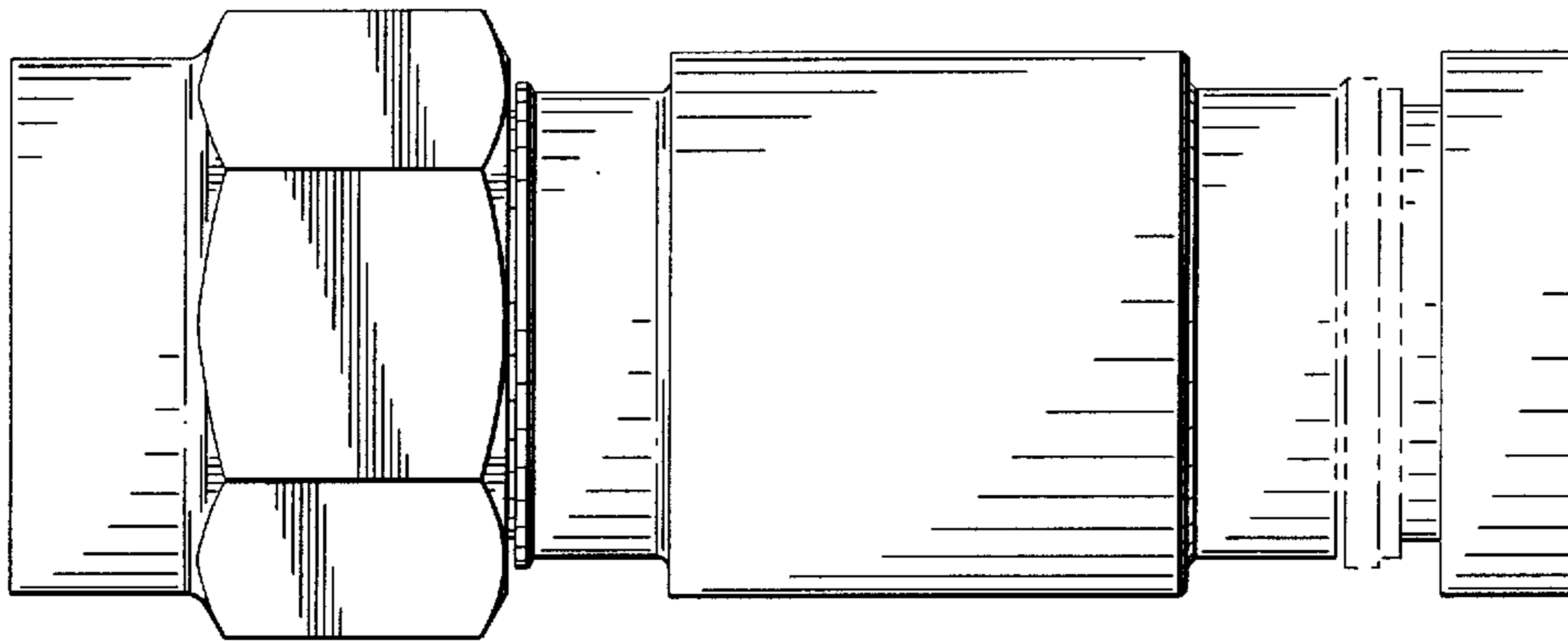


FIG. 2

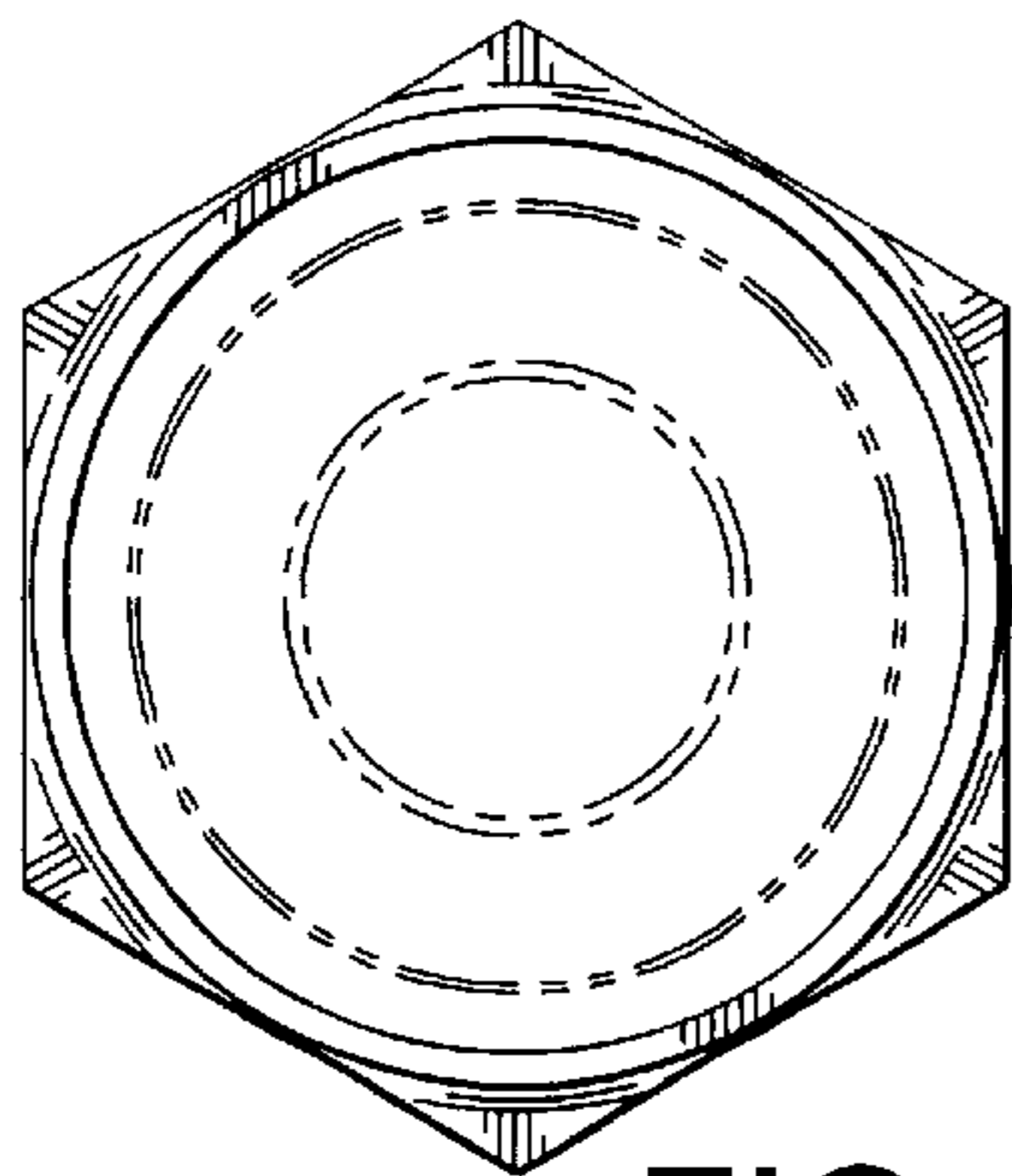


FIG. 3

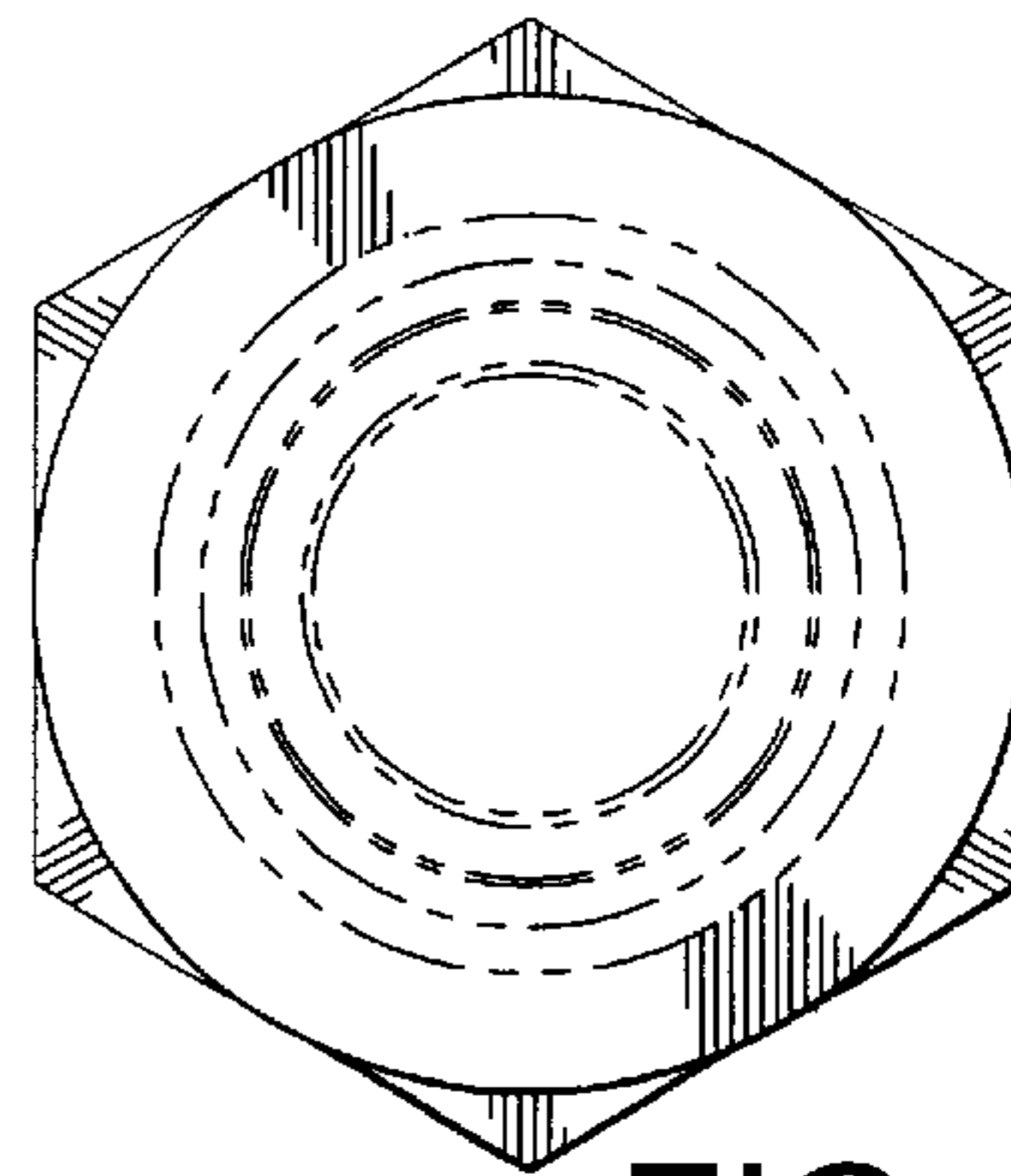


FIG. 4



US00D505391C1

(12) **EX PARTE REEXAMINATION CERTIFICATE** (6348th)  
**United States Patent**  
**Rodrigues et al.**

(10) **Number:** **US D505,391 C1**  
(45) **Certificate Issued:** **Aug. 5, 2008**

- (54) **COAXIAL CABLE CONNECTOR**
- (75) Inventors: **Julio F. Rodrigues**, Collierville, TN (US); **Salvatore J. Abbruzzese**, Piscataway, NJ (US); **Brian S. Welborn**, The Woodlands, TX (US)
- (73) Assignee: **Thomas & Betts International, Inc.**, Sparks, NV (US)

DE	2261973	6/1974
DE	2225764	12/1974
DE	3211008	10/1983
EP	0167738	1/1985
EP	0072104	1/1986
EP	0116157	10/1986
FR	2232846	6/1974
FR	2234680	1/1975
FR	2462798	1/1981
GB	589697	6/1947
GB	1087228	10/1967
GB	1270846	4/1972
GB	2019665	10/1979
GB	2079549	7/1981
JP	3069068	5/2000
JP	3075662	12/2000
WO	WO 93/24973	12/1993
WO	WO 96/08854	3/1996
WO	WO 98/18179	4/1998
WO	WO 99/07035	2/1999

**Reexamination Request:**  
No. 90/008,029, May 5, 2006

**Reexamination Certificate for:**  
Patent No.: **Des. 505,391**  
Issued: **May 24, 2005**  
Appl. No.: **29/176,413**  
Filed: **Feb. 21, 2003**

**Related U.S. Application Data**

- (62) Division of application No. 09/852,343, filed on May 9, 2001, now Pat. No. 6,530,807.
- (51) **LOC (8) Cl.** ..... **13-03**
- (52) **U.S. Cl.** ..... **D13/151; D13/133**
- (58) **Field of Classification Search** ..... None  
See application file for complete search history.

**References Cited**

## U.S. PATENT DOCUMENTS

1,667,485 A 4/1928 MacDonald

(Continued)

## FOREIGN PATENT DOCUMENTS

DE	1022289	1/1958
DE	1117687	11/1961
DE	1191880	12/1965
DE	47931	5/1966
DE	1515398	4/1970
DE	2221936	11/1973

## OTHER PUBLICATIONS

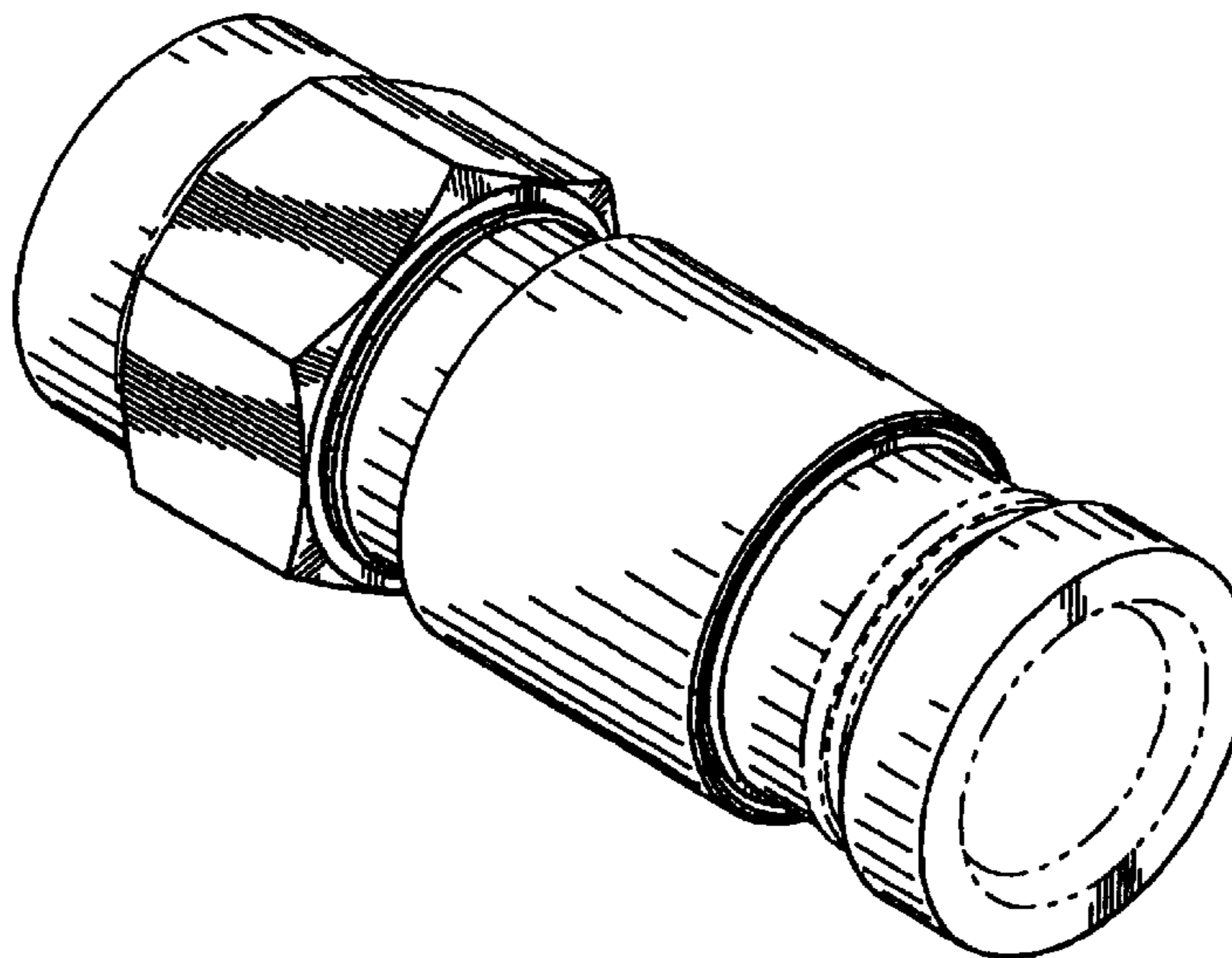
PPC 1996/1997 Connector and Product Catalog, p. 34.

PPC Compression Connector Series Product Data Sheet, dated Feb. 20, 1996, also published in the Record on Appeal of *LRC Electronics, Inc. v. John Mezzalingua Associates, Inc.*, U.S. Court of Appeals for the Federal Circuit, Appeal No. 98-1545, at A-2604 and A-2604a.

PPC CMP Radial Compression Connector (Unlocked) Data Sheet 1995, marked as a deposition exhibit on May 3, 1996 and Plaintiff's Trial Exhibit 115 on Jan. 27, 1998, also published in the Record on Appeal of *LRC Electronics, Inc. v. John Mezzalingua Associates, Inc.*, U.S. Court of Appeals for the Federal Circuit, Appeal No. 98-1545, at A2687.

Thomas & Betts Snap-N-Seal "F" Series Male Environmentally Sealed Connectors Data Sheet 1998, retrieved from Internet archive at [www.waybackmachine.org](http://www.waybackmachine.org) on Jun. 14, 2005 from archived Thomas & Betts Corp. website ([www.tnb.com](http://www.tnb.com)) dated Dec. 3, 1998 ([http://web.archive.org/web/20000831012924/www.tmb.com/download/lrc/snap\\_seal/pdf](http://web.archive.org/web/20000831012924/www.tmb.com/download/lrc/snap_seal/pdf)).

*Primary Examiner*—Robert M. Spear



U.S. PATENT DOCUMENTS							
2,258,737	A	10/1941	Browne	4,596,434	A	6/1986	Saba et al.
2,549,647	A	4/1951	Turenne	4,596,435	A	6/1986	Bickford
3,076,168	A	1/1963	Keen	4,598,961	A	7/1986	Cohen
3,097,399	A	7/1963	Alston	4,600,263	A	7/1986	DeChamp et al.
3,275,913	A	9/1966	Blanchard et al.	4,632,487	A	12/1986	Wargula
3,292,136	A	12/1966	Somerset	4,645,281	A	2/1987	Burger
3,350,677	A	10/1967	Daum	4,650,228	A	3/1987	McMills et al.
3,355,698	A	11/1967	Keller	4,655,159	A	4/1987	McMills
3,373,243	A	3/1968	Janowiak et al.	4,660,921	A	4/1987	Hauver
3,406,373	A	10/1968	Forney, Jr.	4,666,229	A	5/1987	Grand
3,448,430	A	6/1969	Kelly	4,668,043	A	5/1987	Saba et al.
3,475,545	A	10/1969	Stark et al.	4,674,818	A	6/1987	McMills et al.
3,498,647	A	3/1970	Schroder	4,676,577	A	6/1987	Szegda
3,517,373	A	6/1970	Jamon	4,682,832	A	7/1987	Punako et al.
3,533,051	A	10/1970	Ziegler, Jr.	4,688,876	A	8/1987	Morelli
3,537,065	A	10/1970	Winston	4,688,878	A	8/1987	Cohen et al.
3,544,705	A	12/1970	Winston	4,691,976	A	9/1987	Cowen
3,564,487	A	2/1971	Upstone et al.	4,703,987	A	11/1987	Gallusser et al.
3,629,792	A	12/1971	Dorrell	4,710,005	A	12/1987	Bennett
3,633,150	A	1/1972	Swartz	4,738,008	A	4/1988	Proctor
3,671,922	A	6/1972	Zerlin et al.	4,738,009	A	4/1988	Down et al.
3,694,792	A	9/1972	Wallo	4,746,305	A	5/1988	Nomura
3,694,793	A	9/1972	Concelman	4,747,786	A	5/1988	Hayashi et al.
3,710,005	A	1/1973	French	4,755,152	A	7/1988	Elliot et al.
3,778,535	A	12/1973	Forney, Jr.	4,761,146	A	8/1988	Sohoel
3,781,762	A	12/1973	Quackenbush	4,772,222	A	9/1988	Laudig et al.
3,836,700	A	9/1974	Niemeyer	4,806,116	A	2/1989	Ackerman
3,845,453	A	10/1974	Hemmer	4,813,886	A	3/1989	Roos et al.
3,846,738	A	11/1974	Nepovim	4,834,676	A	5/1989	Tackett
3,854,003	A	12/1974	Duret	4,854,893	A	8/1989	Morris
3,879,102	A	4/1975	Horak	4,857,014	A	8/1989	Alf et al.
3,910,673	A	10/1975	Stokes	4,869,679	A	9/1989	Szegda
3,915,539	A	10/1975	Collins	4,874,331	A	10/1989	Iverson
3,936,132	A	2/1976	Hutter	4,892,275	A	1/1990	Szegda
3,963,320	A	6/1976	Spinner	4,902,246	A	2/1990	Samchisen
3,976,352	A	8/1976	Spinner	4,906,207	A	3/1990	Banning et al.
3,980,805	A	9/1976	Lipari	4,923,412	A	5/1990	Morris
3,985,418	A	10/1976	Spinner	4,925,403	A	5/1990	Zorzy
4,046,451	A	9/1977	Juds et al.	4,927,385	A	5/1990	Cheng
4,053,200	A	10/1977	Pugner	4,929,188	A	5/1990	Lionetto et al.
4,059,330	A	11/1977	Shirey	4,952,174	A	8/1990	Sucht et al.
4,093,335	A	6/1978	Schwartz et al.	4,957,456	A	9/1990	Olson et al.
4,126,372	A	11/1978	Hashimoto et al.	4,979,911	A	12/1990	Spencer
4,131,332	A	12/1978	Hogendobler et al.	4,990,104	A	2/1991	Schieferly
4,150,250	A	4/1979	Lundeberg	4,990,105	A	2/1991	Karlovich
4,156,554	A	5/1979	Aujla	4,990,106	A	2/1991	Szegda
4,165,554	A	8/1979	Faget	5,002,503	A	3/1991	Campbell et al.
4,168,921	A	9/1979	Blanchard	5,007,861	A	4/1991	Stirling
4,225,162	A	9/1980	Dola	5,021,010	A	6/1991	Wright
4,227,765	A	10/1980	Neumann et al.	5,037,328	A	8/1991	Karlovich
4,250,348	A	2/1981	Kitagawa	5,062,804	A	11/1991	Jamet et al.
4,280,749	A	7/1981	Hemmer	5,066,248	A	11/1991	Gaver, Jr. et al.
4,339,166	A	7/1982	Dayton	5,073,129	A	12/1991	Szegda
4,346,958	A	8/1982	Blanchard	5,083,943	A	1/1992	Tarrant
4,354,721	A	10/1982	Luzzi	5,120,260	A	6/1992	Jackson
4,373,767	A	2/1983	Cairns	5,127,853	A	7/1992	McMills et al.
4,400,050	A	8/1983	Hayward	5,131,862	A	7/1992	Gershfeld
4,408,821	A	10/1983	Forney, Jr.	5,141,451	A	8/1992	Down
4,421,376	A	12/1983	Cosmos et al.	5,181,161	A	1/1993	Hirose et al.
4,444,453	A	4/1984	Kirby et al.	5,195,906	A	3/1993	Szegda
4,456,323	A	6/1984	Pitcher et al.	5,205,761	A	4/1993	Nilsson
4,484,792	A	11/1984	Tengler et al.	5,217,391	A	6/1993	Fisher, Jr.
4,515,427	A	5/1985	Smit	5,217,393	A	6/1993	Del Negro et al.
4,533,191	A	8/1985	Blackwood	5,269,701	A	12/1993	Leibfried, Jr.
4,540,231	A	9/1985	Forney, Jr.	5,283,853	A	2/1994	Szegda
4,545,637	A	10/1985	Bosshard et al.	5,284,449	A	2/1994	Vaccaro
4,575,274	A	3/1986	Hayward	5,316,494	A	5/1994	Flanagan et al.
4,583,811	A	4/1986	McMills	5,338,225	A	8/1994	Jacobsen et al.
4,589,961	A	5/1986	Gershenson	5,342,218	A	8/1994	McMills et al.
4,593,964	A	6/1986	Forney, Jr. et al.	5,371,819	A	12/1994	Szegda
				5,371,821	A	12/1994	Szegda

# US D505,391 C1

Page 3

---

5,371,827 A	12/1994	Szegda	6,032,358 A	3/2000	Wild
5,393,244 A	2/1995	Szegda	6,089,813 A	7/2000	McNeilus et al.
5,431,583 A	7/1995	Szegda	6,089,912 A	7/2000	Tallis
5,444,810 A	8/1995	Szegda	6,089,913 A	7/2000	Holliday
5,455,548 A	10/1995	Grandchamp et al.	6,146,197 A	11/2000	Holliday et al.
5,456,611 A	10/1995	Henry et al.	6,159,046 A	12/2000	Wong
5,456,614 A	10/1995	Szegda	6,179,656 B1	1/2001	Wong
5,466,173 A	11/1995	Down	D437,826 S	2/2001	Montena
5,470,257 A	11/1995	Szegda	6,241,553 B1	6/2001	Hsia
5,494,454 A	2/1996	Johnsen	6,352,448 B1	3/2002	Holliday et al.
5,501,616 A	3/1996	Holliday	6,383,019 B1	5/2002	Wild
5,525,076 A	6/1996	Down	D460,740 S	7/2002	Montena
5,542,861 A	8/1996	Anhalt et al.	D460,946 S	7/2002	Montena
5,548,088 A	8/1996	Gray et al.	D460,947 S	7/2002	Montena
5,586,910 A	12/1996	Del Negro et al.	D460,948 S	7/2002	Montena
5,598,132 A	1/1997	Stabile	6,425,782 B1	7/2002	Holland
5,607,325 A	3/1997	Toma	D461,167 S	8/2002	Montena
5,651,699 A	7/1997	Holliday	D462,058 S	8/2002	Montena
5,667,405 A	9/1997	Holliday	D462,060 S	8/2002	Fox
5,769,662 A	6/1998	Stabile et al.	6,530,807 B2	3/2003	Rodrigues et al.
5,800,211 A	9/1998	Stabile et al.	6,558,194 B2	5/2003	Montena
5,863,220 A	1/1999	Holliday	6,817,896 B2	11/2004	Derenthal
5,967,852 A	10/1999	Follingstad et al.	6,848,940 B2	2/2005	Montena
5,975,951 A	11/1999	Burris et al.	2003/0003705 A1	1/2003	Chung et al.
5,997,350 A	12/1999	Burris et al.	2003/0162439 A1	8/2003	Rodrigues et al.

**EX PARTE  
REEXAMINATION CERTIFICATE  
ISSUED UNDER 35 U.S.C. 307**

The sole claim is cancelled.

[The ornamental design for a coaxial cable connector, as shown and described.]

AS A RESULT OF REEXAMINATION, IT HAS BEEN  
DETERMINED THAT:

\* \* \* \* \*