

US00D505373S

(12) **United States Design Patent**
Pfeiffer

(10) **Patent No.:** **US D505,373 S**

(45) **Date of Patent:** **** May 24, 2005**

(54) **FRONT FACE OF A VEHICLE WHEEL**

(75) **Inventor:** **Peter Pfeiffer**, Boeblingen (DE)

(73) **Assignee:** **DaimlerChrysler AG**, Stuttgart (DE)

(**) **Term:** **14 Years**

(21) **Appl. No.:** **29/207,852**

(22) **Filed:** **Jun. 21, 2004**

(30) **Foreign Application Priority Data**

Dec. 22, 2003 (DE) 403 08 059

(51) **LOC (7) Cl.** **12-16**

(52) **U.S. Cl.** **D12/209**

(58) **Field of Search** D12/204-213;
301/37.101, 64.101, 65

(56) **References Cited**

U.S. PATENT DOCUMENTS

- D208,542 S * 9/1967 Halibrand D12/211
- D411,501 S * 6/1999 Cullen D12/209
- D418,798 S * 1/2000 Muzzarelli et al. D12/211
- D444,118 S * 6/2001 Chung D12/211
- D456,335 S * 4/2002 Chung D12/211
- D460,941 S * 7/2002 Muzzarelli D12/211
- D465,758 S * 11/2002 Plessing D12/211

- D475,961 S * 6/2003 Pfeiffer et al. D12/211
- D480,347 S * 10/2003 Nemoto D12/211
- D480,674 S * 10/2003 Lecher et al. D12/209
- D483,313 S * 12/2003 Lenz D12/209
- D487,419 S * 3/2004 Kim D12/211
- D499,059 S * 11/2004 Cahyono D12/209

* cited by examiner

Primary Examiner—Stacia Cadmus

(74) *Attorney, Agent, or Firm*—Crowell & Moring LLP

(57) **CLAIM**

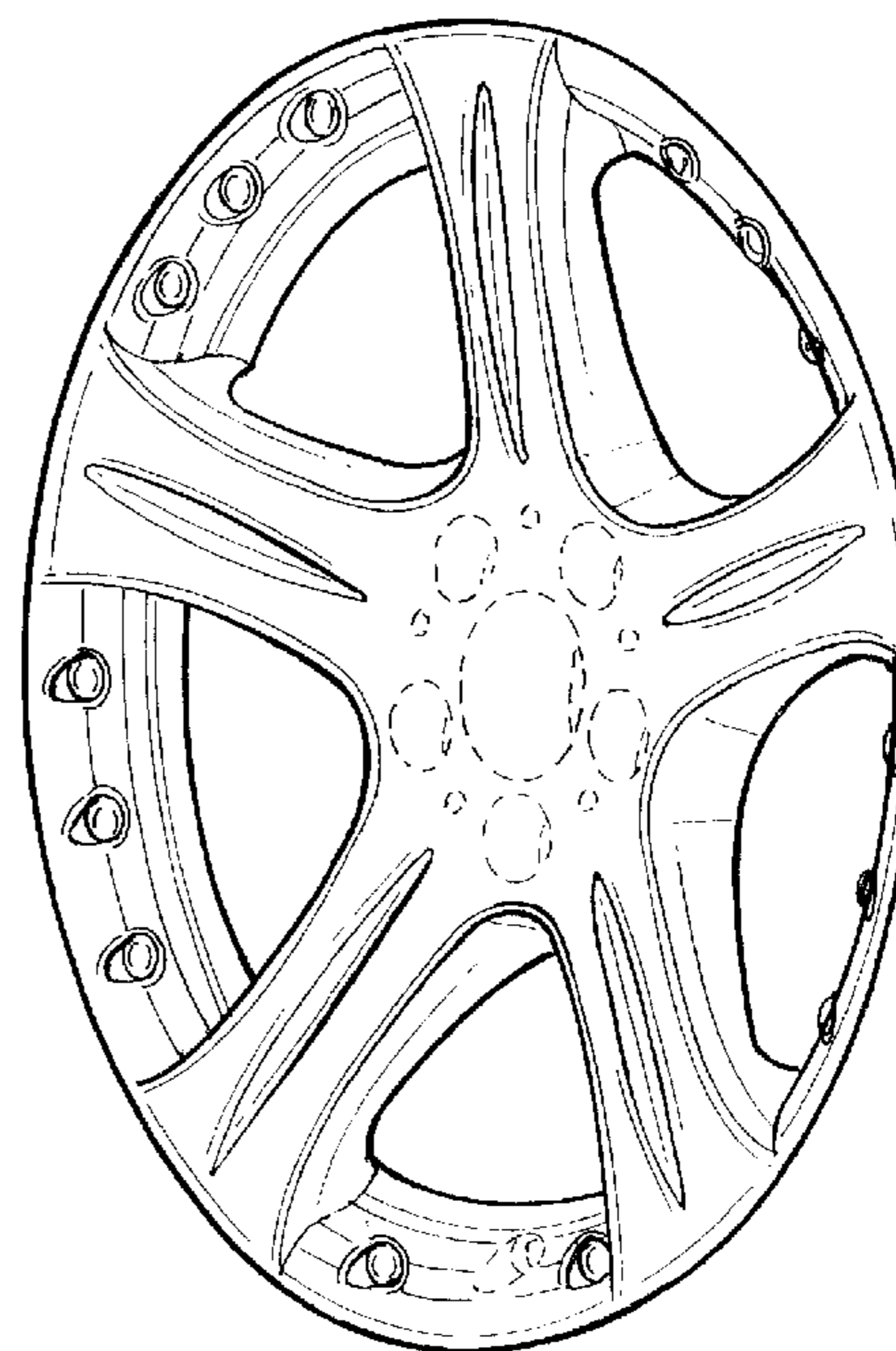
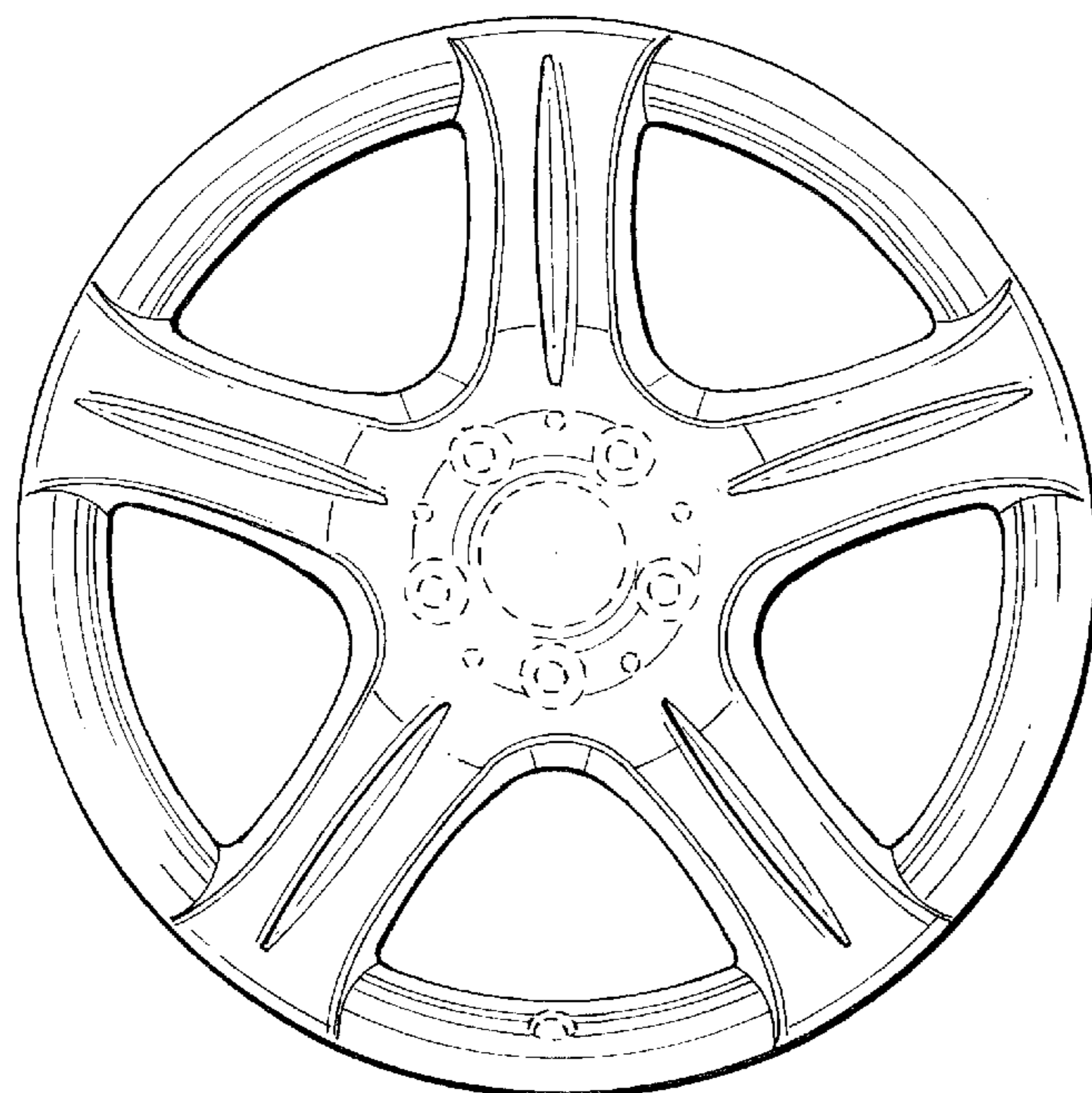
The ornamental design for a front face of a vehicle wheel, as shown and described.

DESCRIPTION

FIG. 1 is a front view of a first embodiment of a front face of a vehicle wheel according to my novel design; FIG. 2 is a perspective view of the first embodiment of the front face of a vehicle wheel according to my novel design; FIG. 3 is a front view of a second embodiment of the front face of a vehicle wheel according to my novel design; and, FIG. 4 is a perspective view of the second embodiment of the front face of a vehicle wheel according to my novel design.

The broken lines are for illustrative purposes only and form no part of the claimed design.

1 Claim, 2 Drawing Sheets



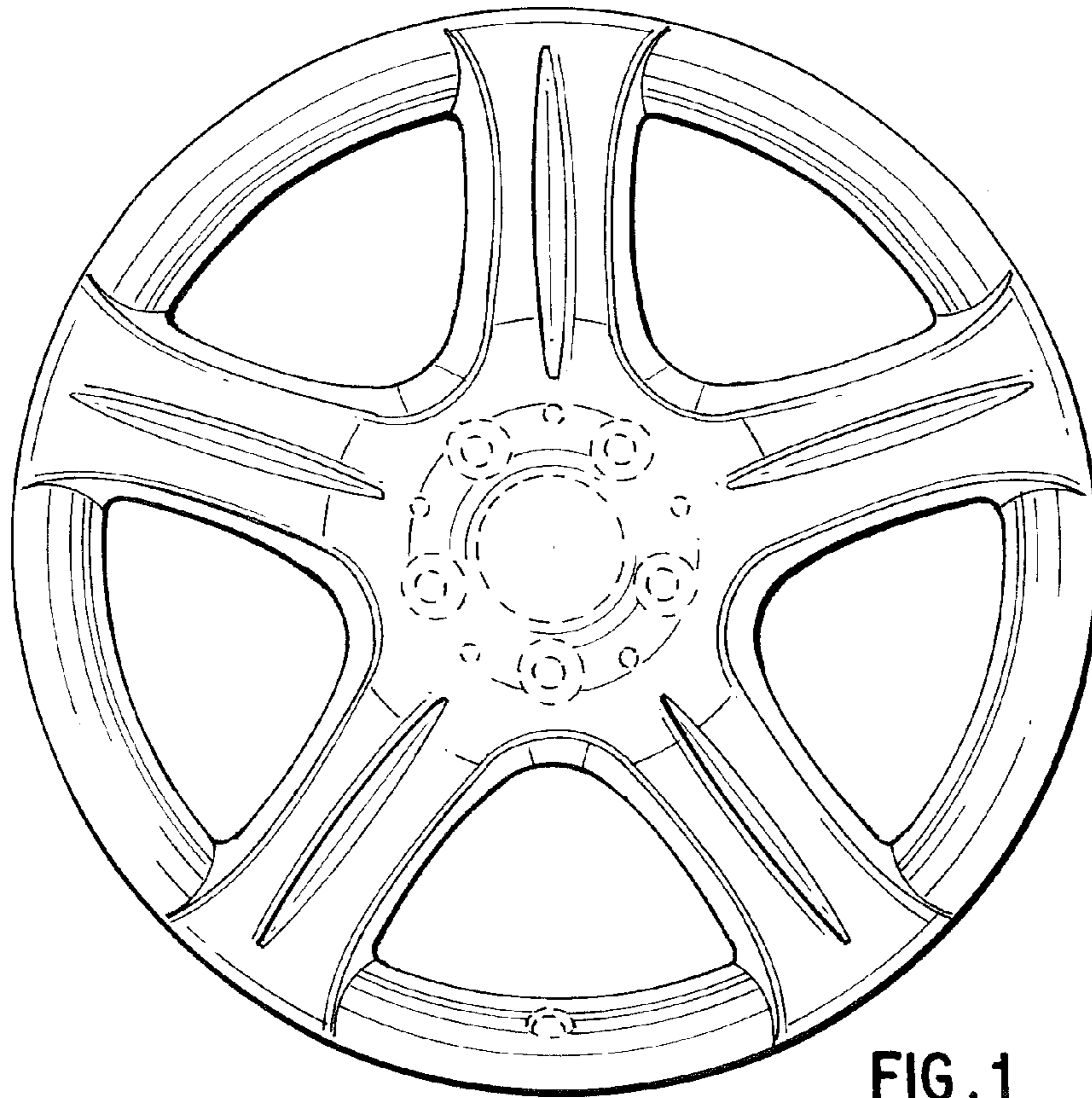


FIG. 1

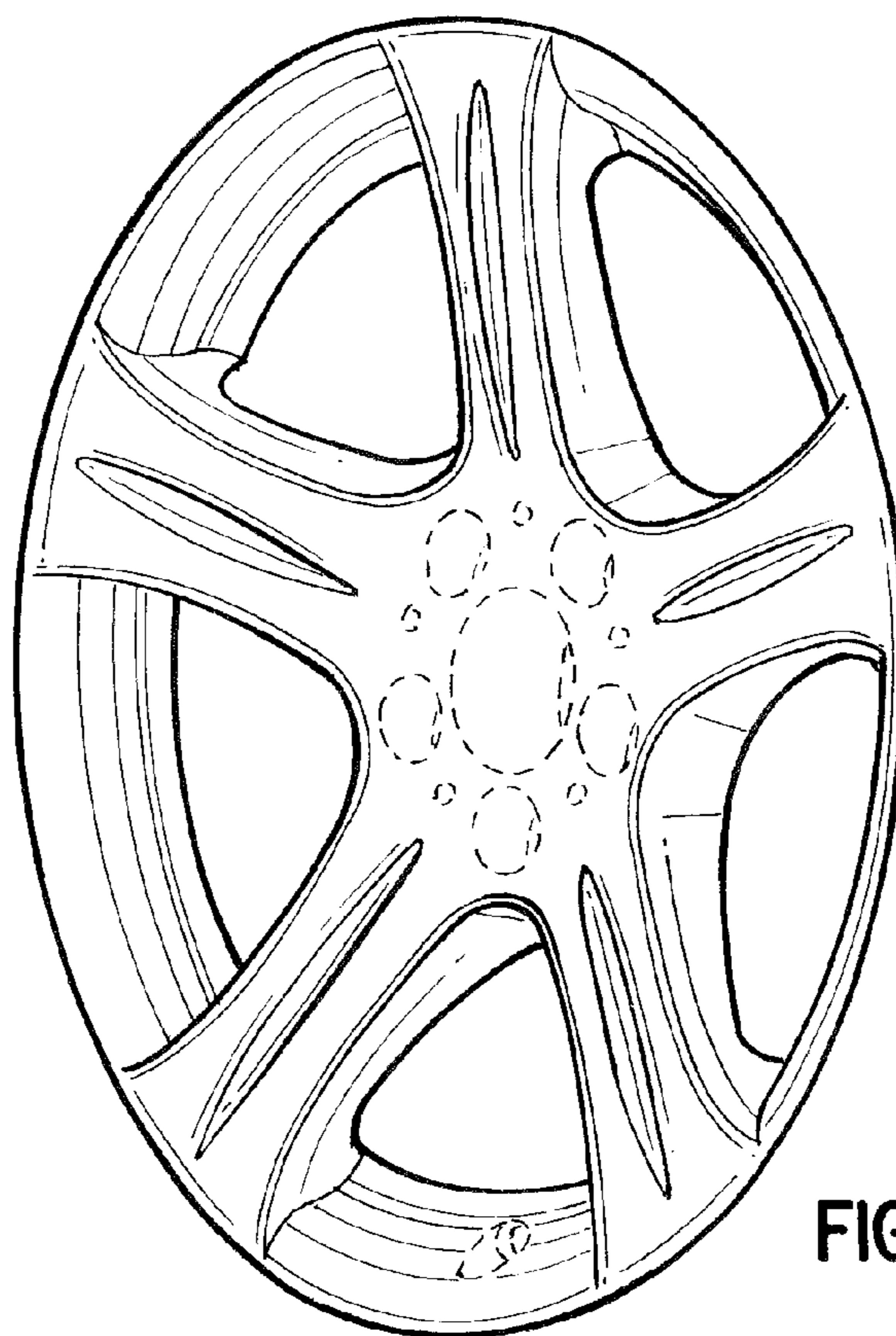


FIG. 2

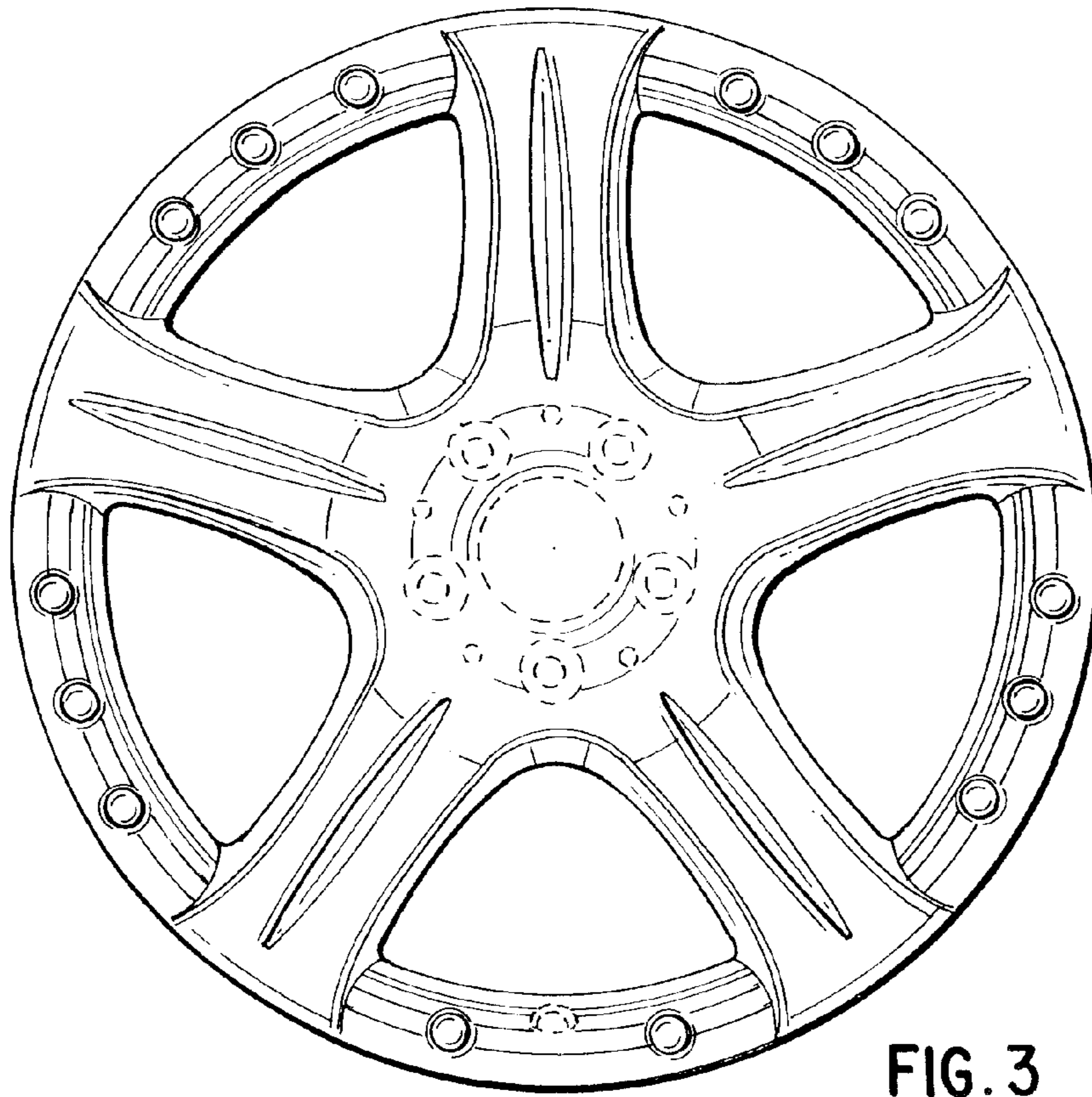


FIG. 3

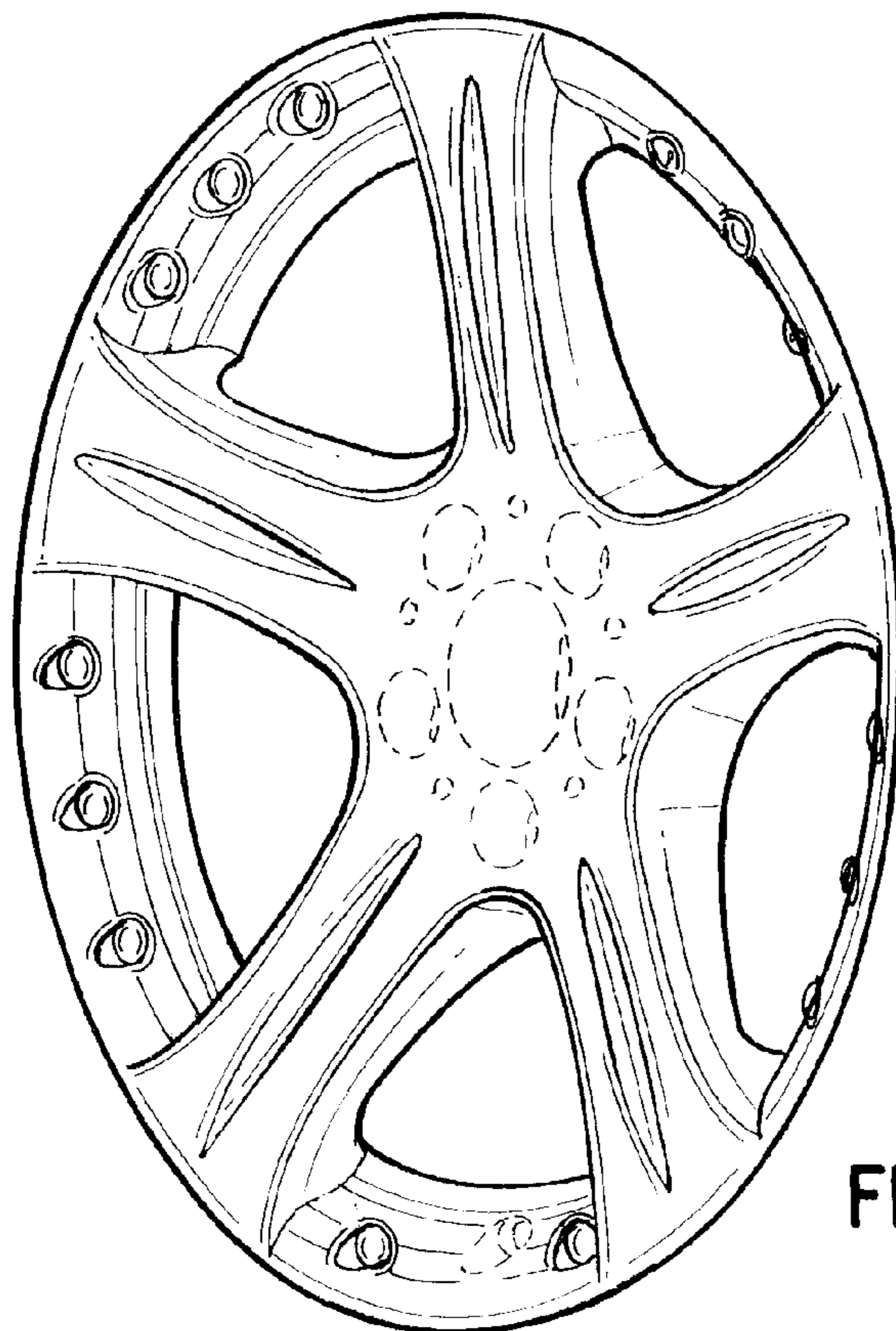


FIG. 4