

US00D505371S

(12) **United States Design Patent**
Hueller

(10) **Patent No.:** **US D505,371 S**
(45) **Date of Patent:** **** May 24, 2005**

(54) **FRONT FACE OF A VEHICLE WHEEL**

(75) **Inventor:** **Jochen Hueller, Pforzheim (DE)**

(73) **Assignee:** **DaimlerChrysler AG, Stuttgart (DE)**

(**) **Term:** **14 Years**

(21) **Appl. No.:** **29/189,865**

(22) **Filed:** **Sep. 12, 2003**

(30) **Foreign Application Priority Data**

Mar. 14, 2003 (DE) 4 03 02 099

(51) **LOC (7) Cl.** **12-16**

(52) **U.S. Cl.** **D12/209**

(58) **Field of Search** D12/204-213;
301/37.101, 64.101, 65

(56) **References Cited**

U.S. PATENT DOCUMENTS

D286,278 S	*	10/1986	Sandberg	D12/211
D403,648 S	*	1/1999	Feriero	D12/209
D432,479 S	*	10/2000	Lee et al.	D12/209
D436,907 S	*	1/2001	Ong	D12/209
D451,466 S	*	12/2001	Fujii	D12/211
D454,325 S	*	3/2002	Hieke	D12/209
D454,530 S	*	3/2002	Hieke	D12/211

D454,821 S	*	3/2002	Pfeiffer	D12/209
D462,643 S	*	9/2002	Murkett et al.	D12/211
D470,093 S	*	2/2003	Frizzi	D12/209
D480,031 S	*	9/2003	Mattin et al.	D12/209
D486,110 S	*	2/2004	Elmitt	D12/211
D493,400 S	*	7/2004	Pfeiffer et al.	D12/209

* cited by examiner

Primary Examiner—Stacia Cadmus

(74) *Attorney, Agent, or Firm*—Crowell & Moring LLP

(57) **CLAIM**

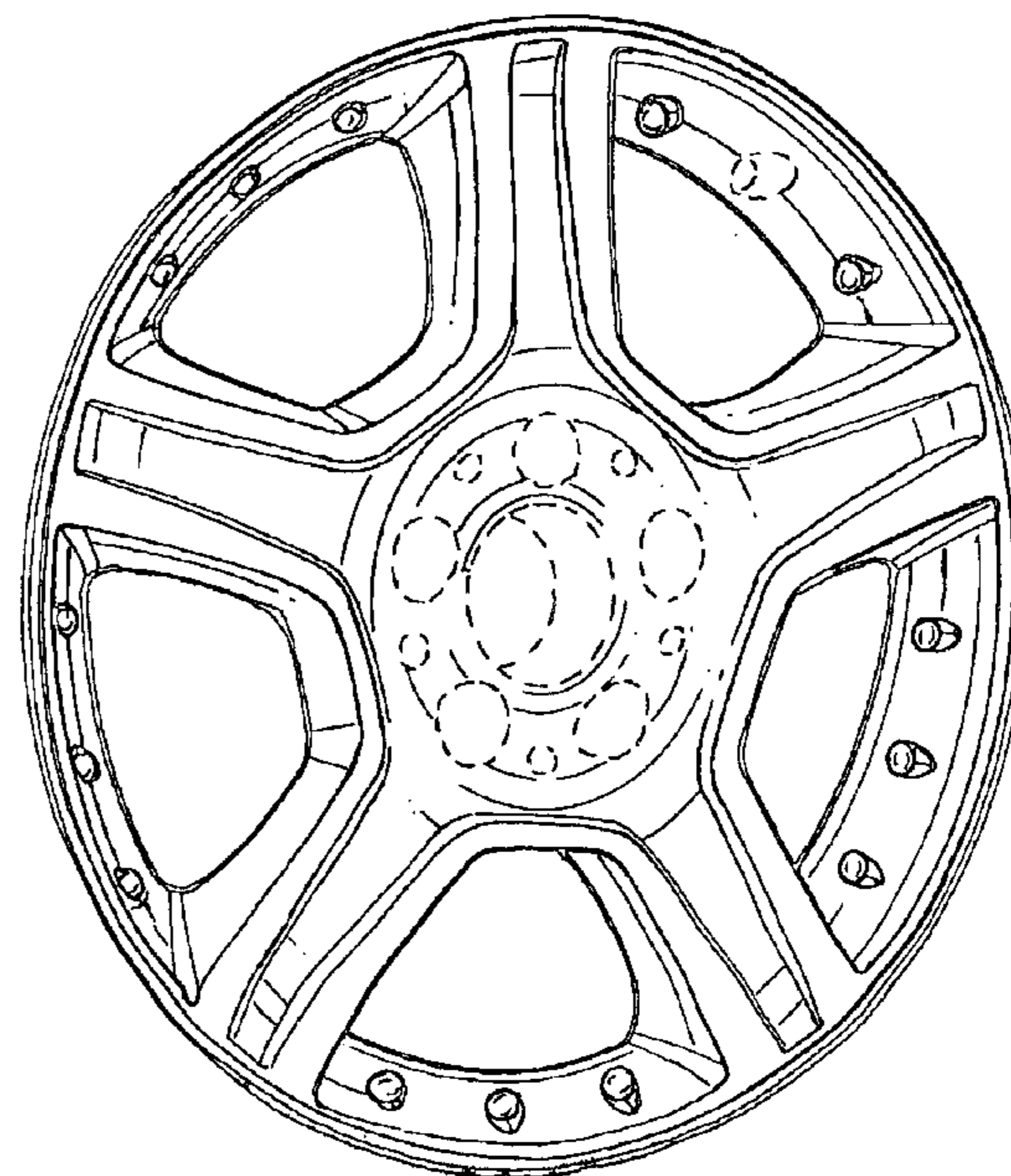
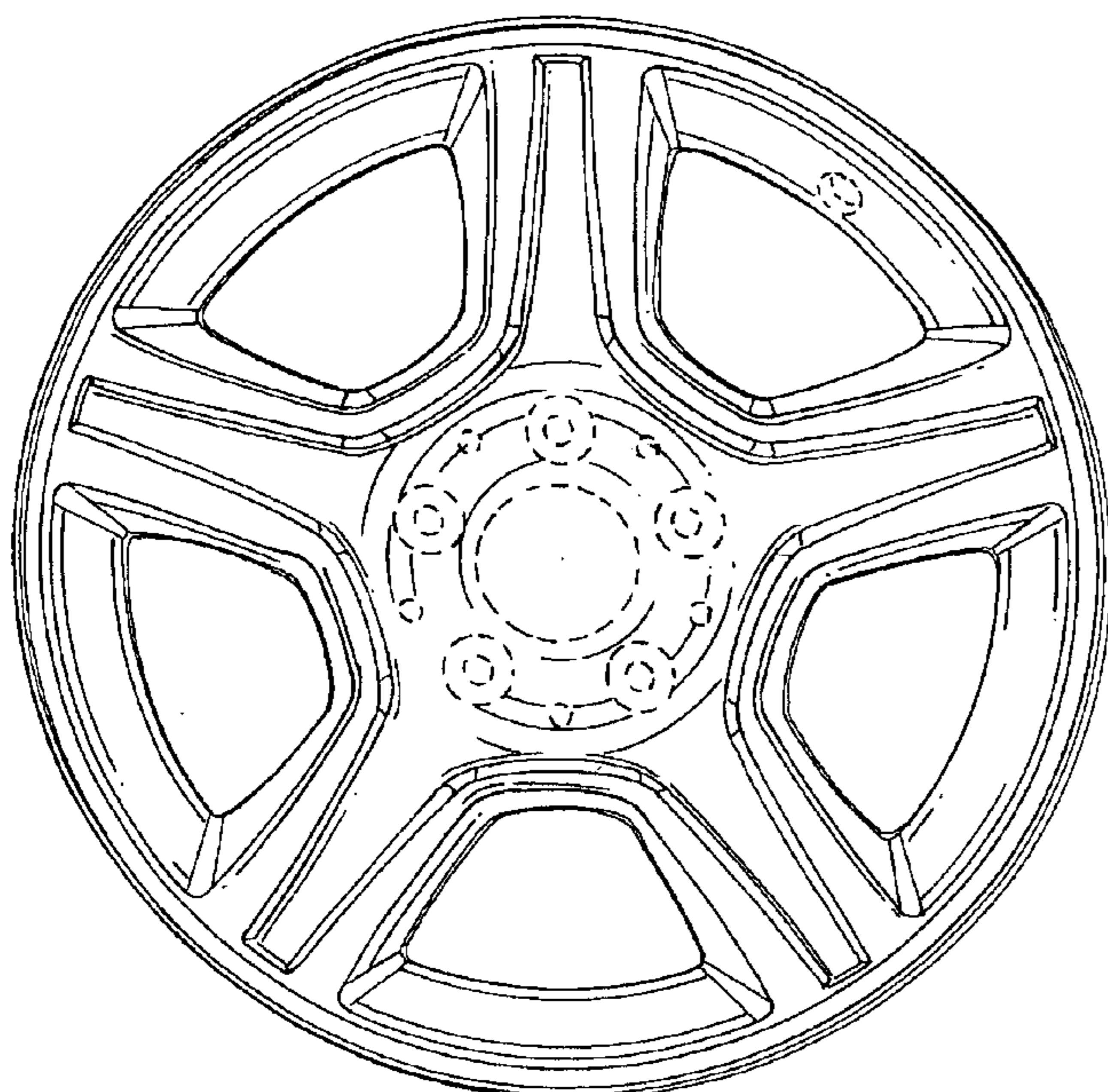
The ornamental design for a front face of a vehicle wheel, as shown and described.

DESCRIPTION

FIG. 1 is a front view of a first embodiment of a front face of a vehicle wheel according to my novel design; FIG. 2 is a perspective view of the first embodiment of the front face of a vehicle wheel according to my novel design; FIG. 3 is a front view of a second embodiment of the front face of a vehicle wheel according to my novel design; and, FIG. 4 is a perspective view of the second embodiment of the front face of a vehicle wheel according to my novel design.

The broken lines are for illustrative purposes only and form no part of the claimed design.

1 Claim, 2 Drawing Sheets



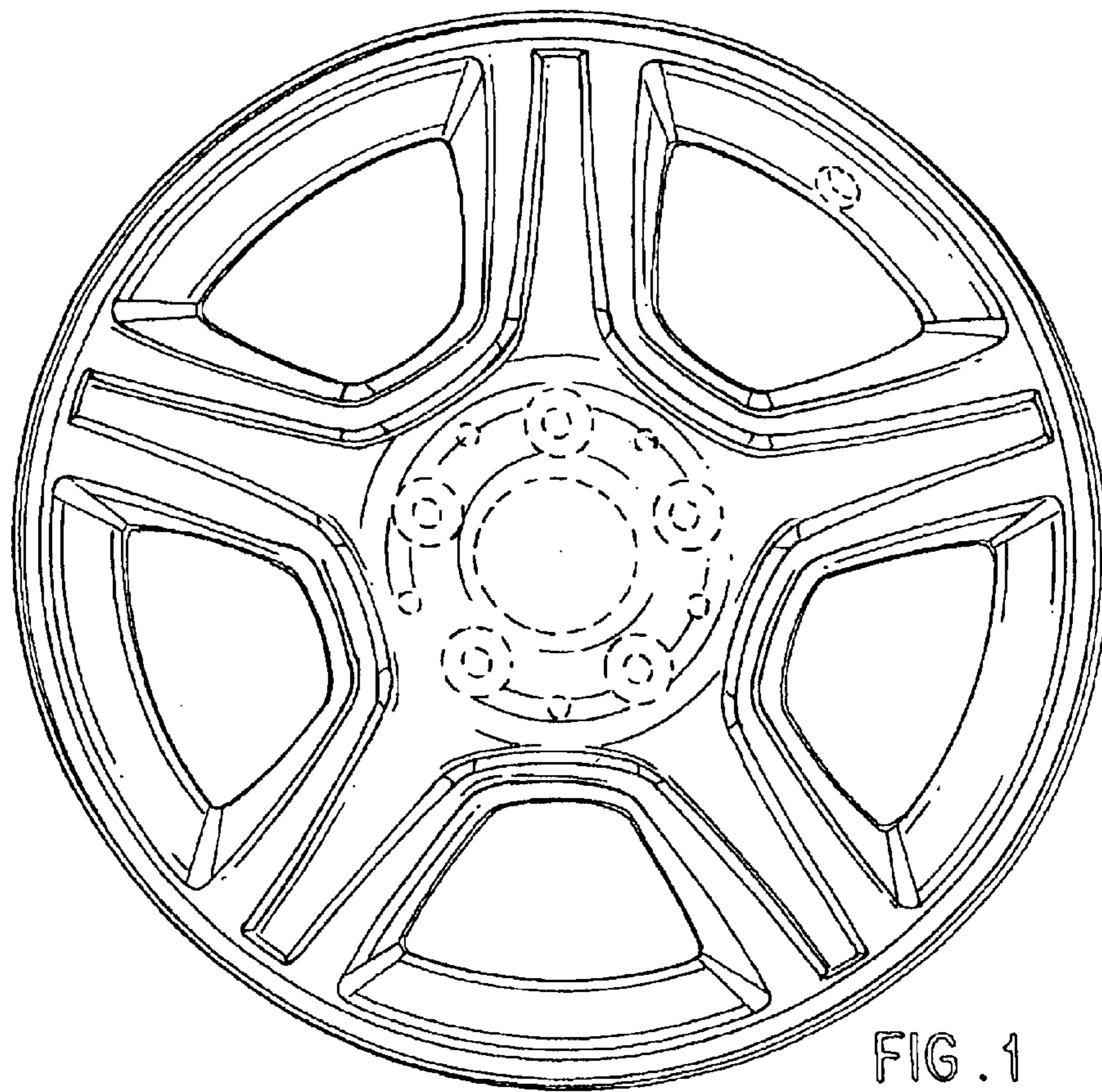


FIG. 1

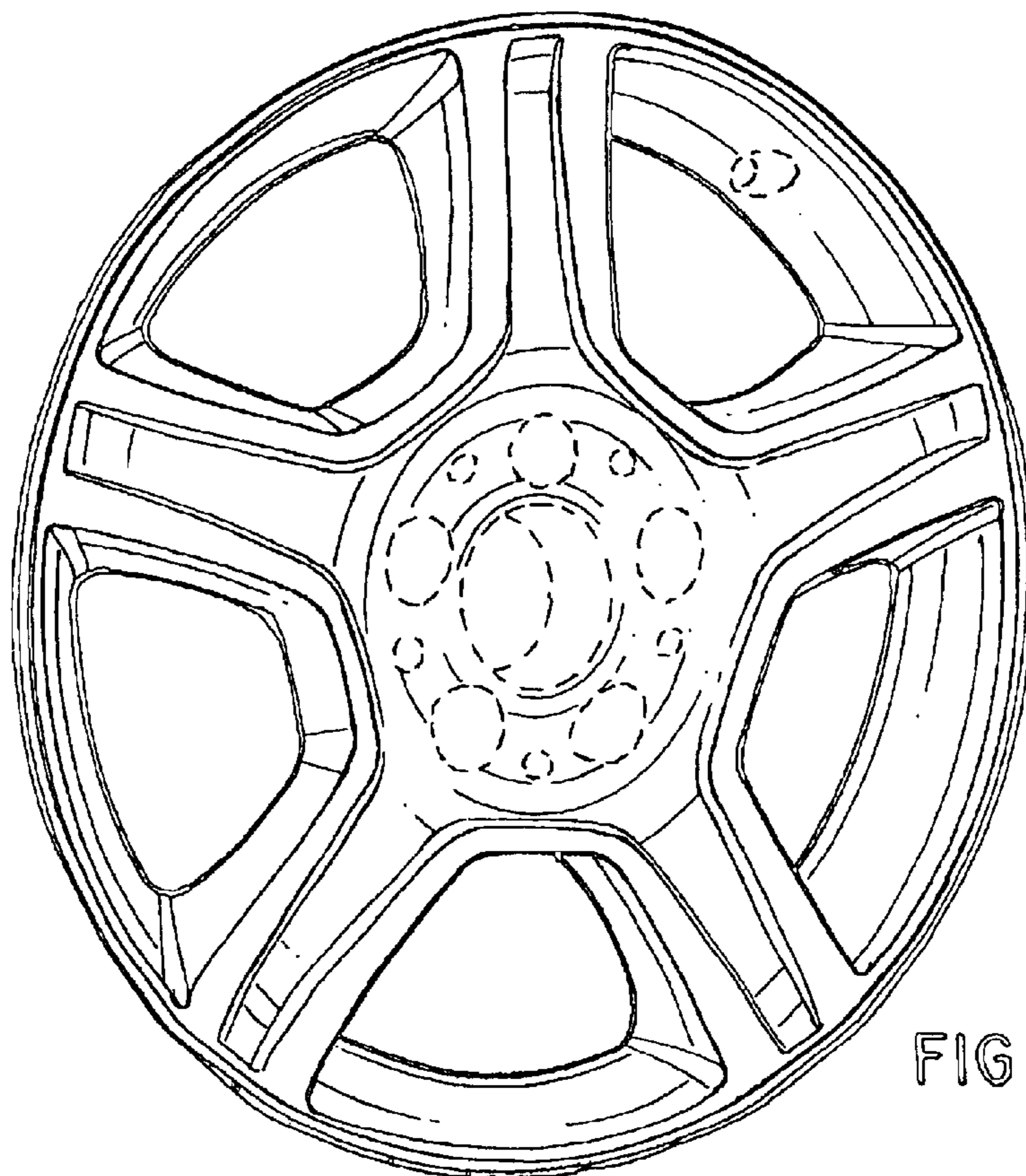


FIG. 2

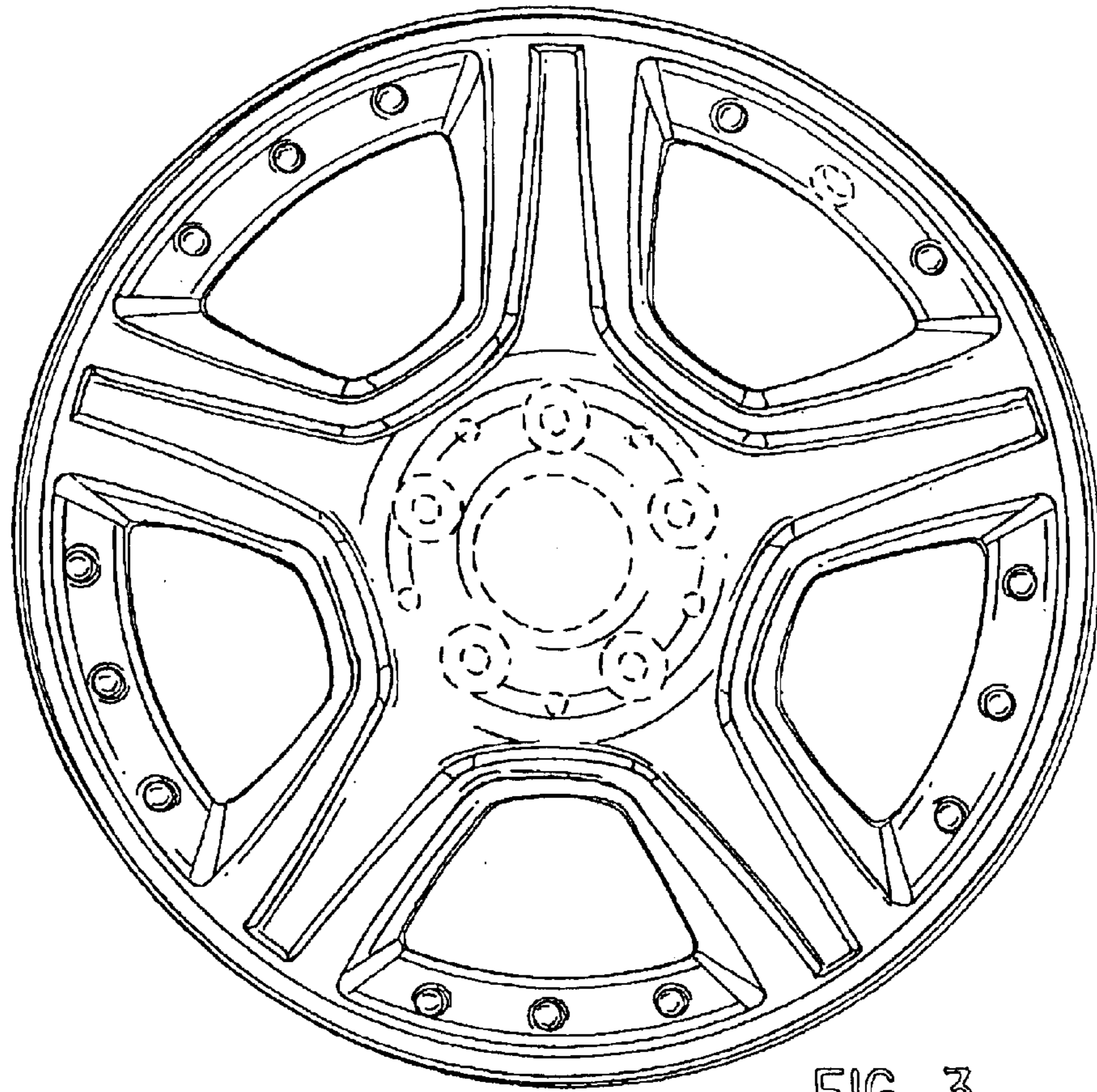


FIG. 3

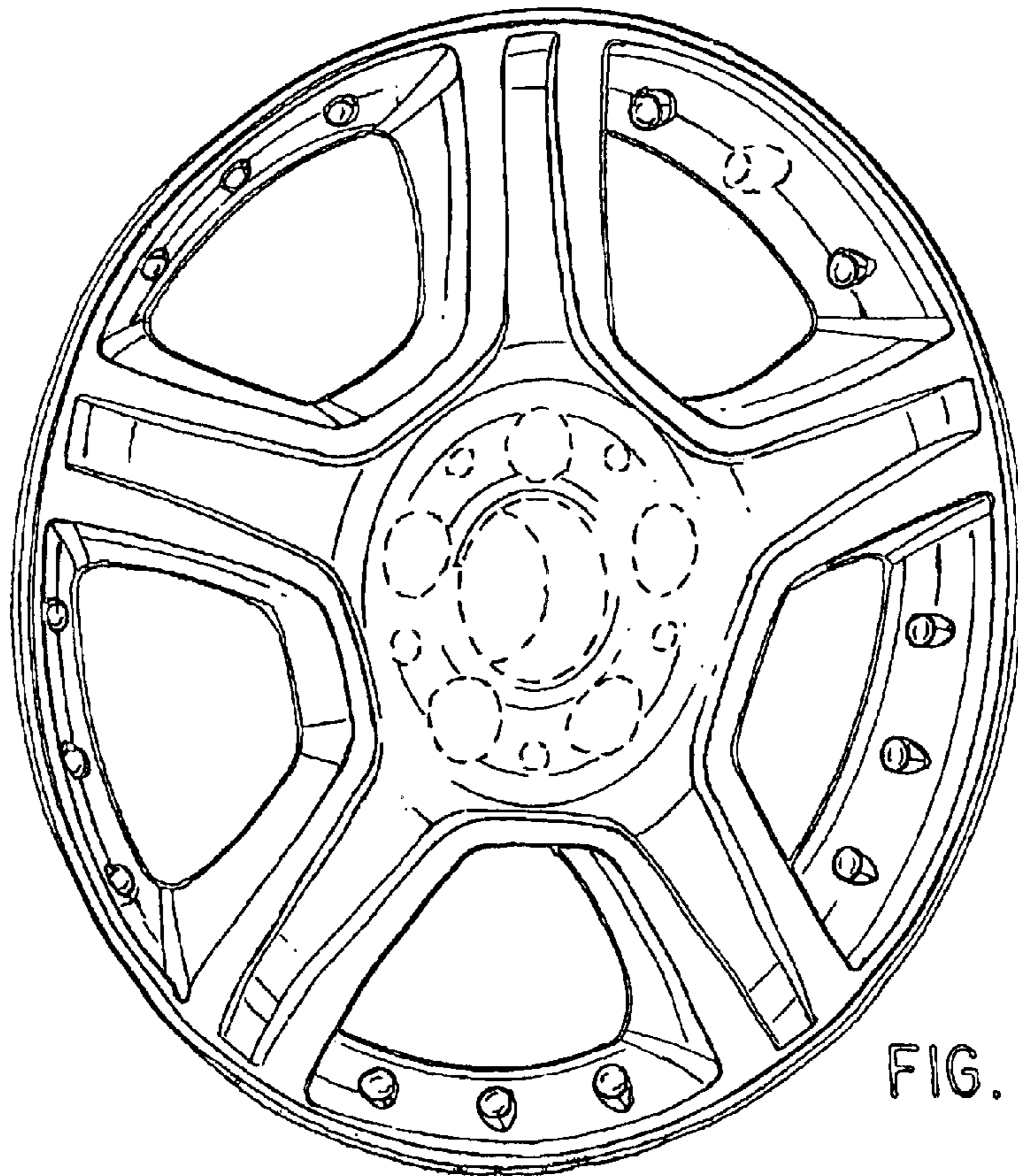


FIG. 4