

US00D505368S

(12) **United States Design Patent**  
**Furuya**

(10) **Patent No.:** **US D505,368 S**  
(45) **Date of Patent:** **\*\* May 24, 2005**

(54) **GEAR SHIFT KNOB FOR AUTOMOBILE**

(75) Inventor: **Masayuki Furuya**, Tokyo (JP)

(73) Assignee: **Kabushiki Kaisha Carmate**, Tokyo (JP)

(\*\*) Term: **14 Years**

(21) Appl. No.: **29/199,871**

(22) Filed: **Feb. 23, 2004**

(30) **Foreign Application Priority Data**

Dec. 24, 2003 (JP) ..... 2003-037887

(51) **LOC (7) Cl.** ..... **12-16**

(52) **U.S. Cl.** ..... **D12/179**

(58) **Field of Search** ..... D12/179; D8/303;  
74/475, 489, 523, 473.1; D14/117.4

(56) **References Cited**

**U.S. PATENT DOCUMENTS**

D408,339 S \* 4/1999 Hussaini ..... D12/179

D473,501 S 4/2003 Yoshida et al.  
D485,795 S \* 1/2004 Murray ..... D12/179  
D491,499 S \* 6/2004 Wainwright ..... D12/179  
D496,894 S \* 10/2004 Liao ..... D12/179

\* cited by examiner

*Primary Examiner*—Melody N. Brown  
(74) *Attorney, Agent, or Firm*—Young & Thompson

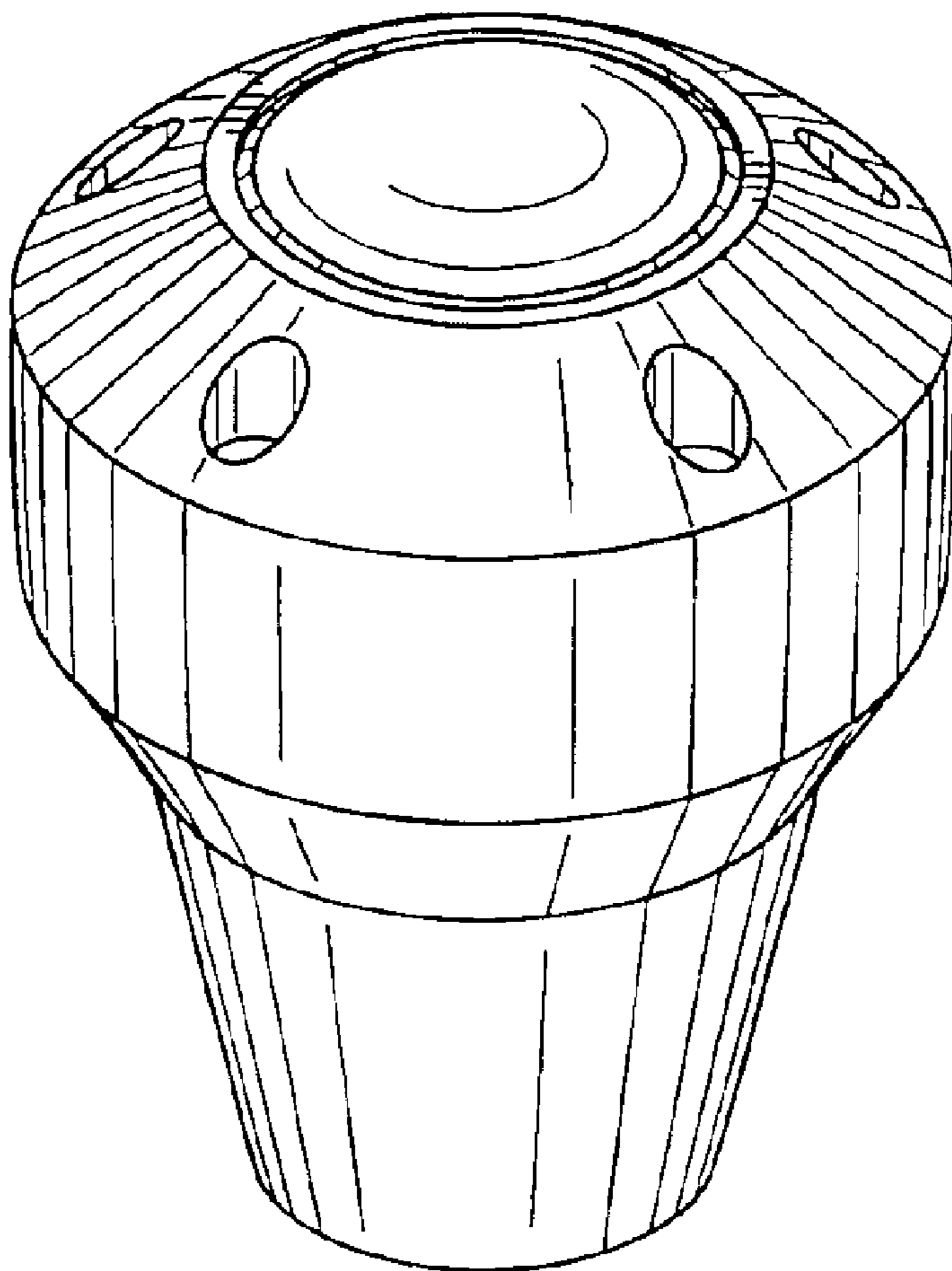
(57) **CLAIM**

The ornamental design for a gear shift knob for automobile, as shown and described.

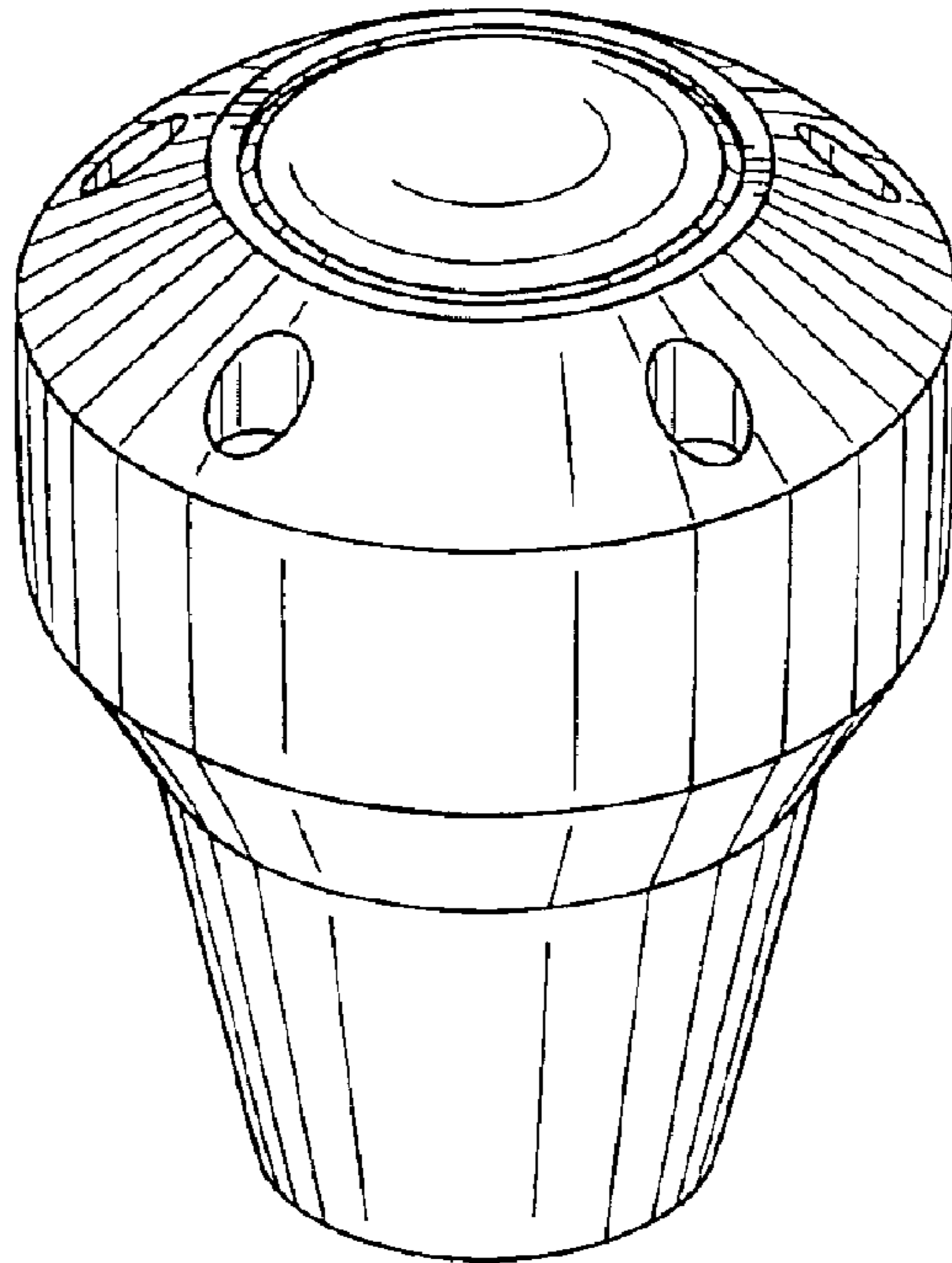
**DESCRIPTION**

FIG. 1 is a front perspective view of a gear shift knob for automobile showing my new design;  
FIG. 2 is a front elevational view thereof;  
FIG. 3 is a top plan view thereof;  
FIG. 4 is a bottom view thereof;  
FIG. 5 is a left side view thereof; and,  
FIG. 6 is a right side view thereof.

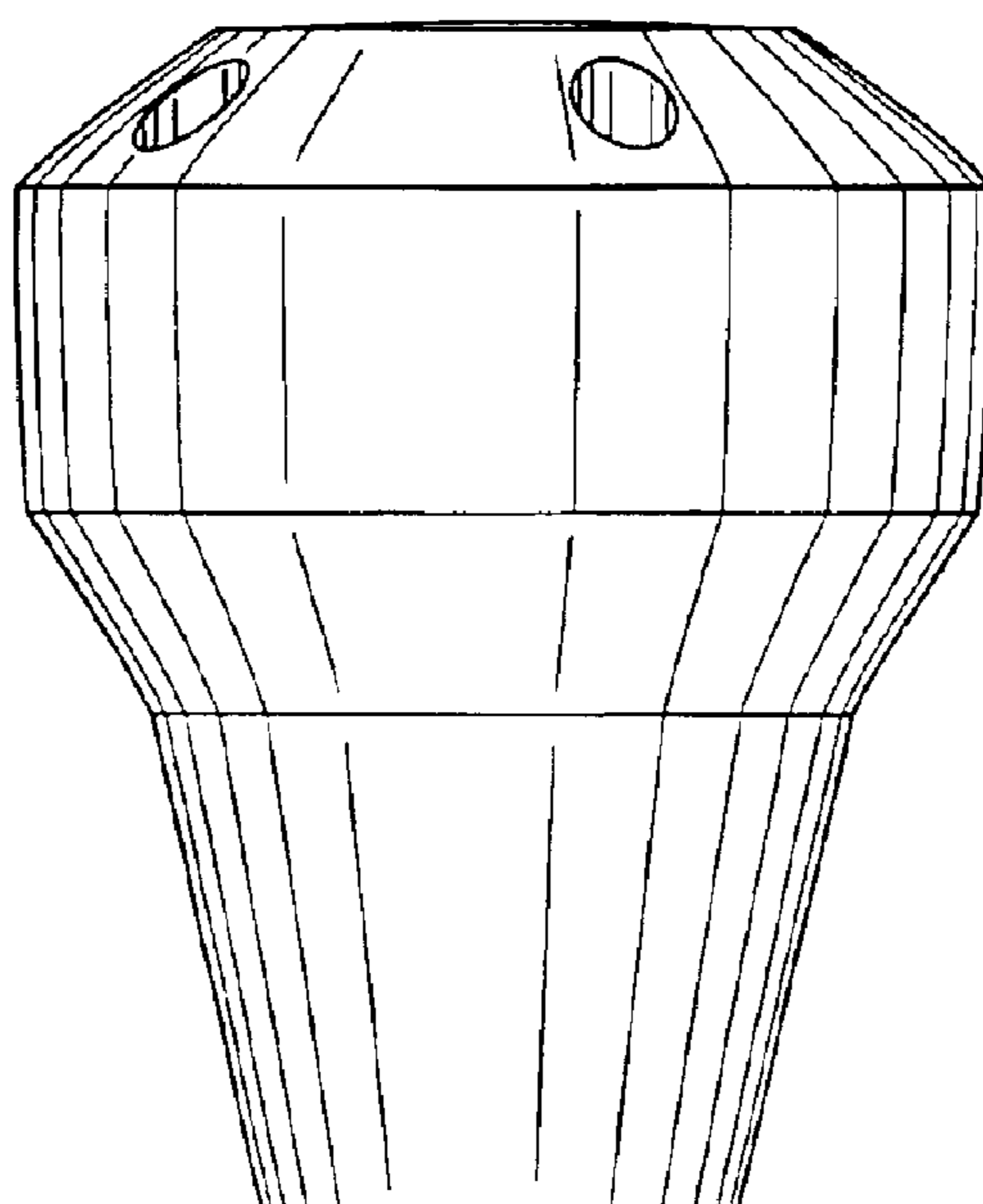
**1 Claim, 3 Drawing Sheets**



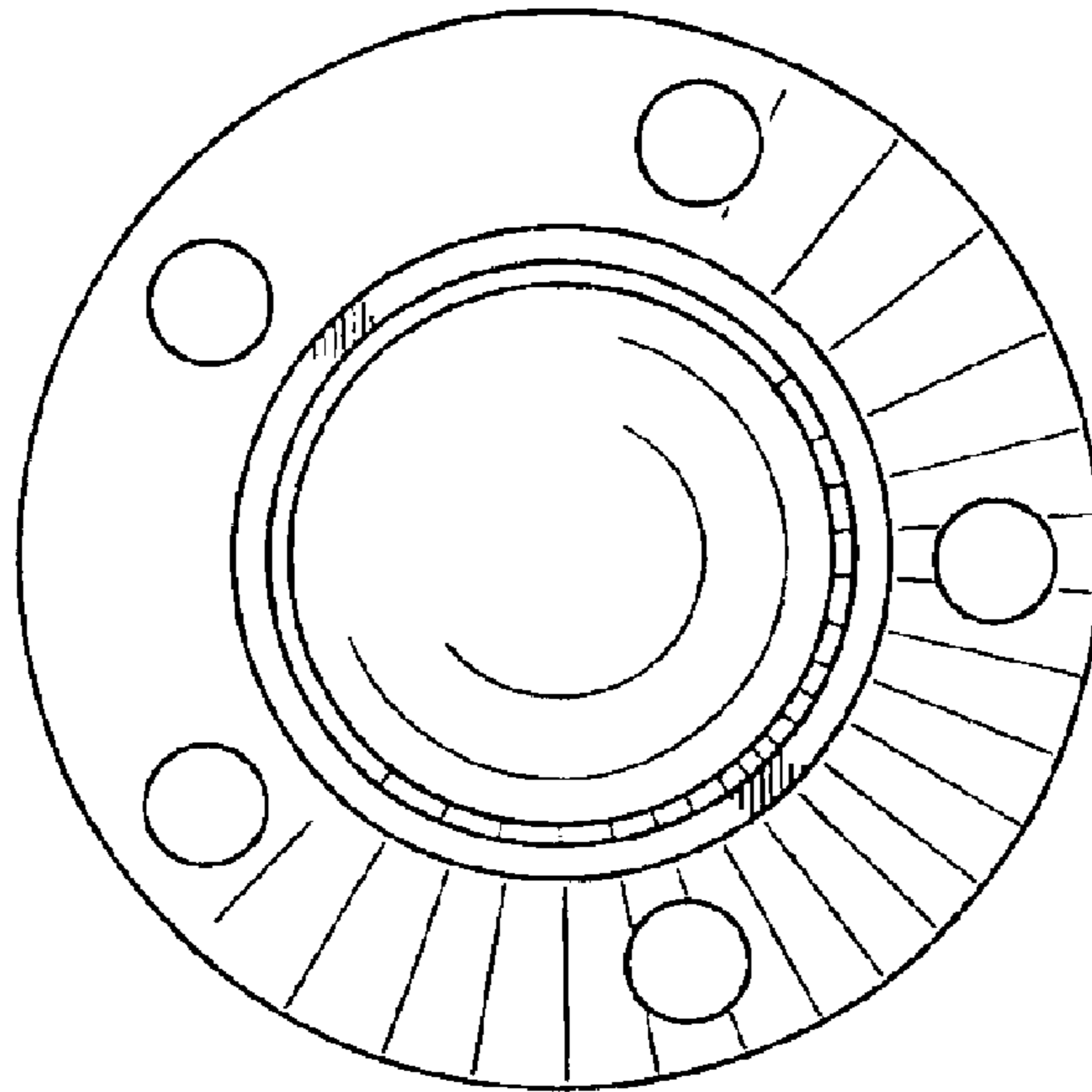
*FIG. 1*



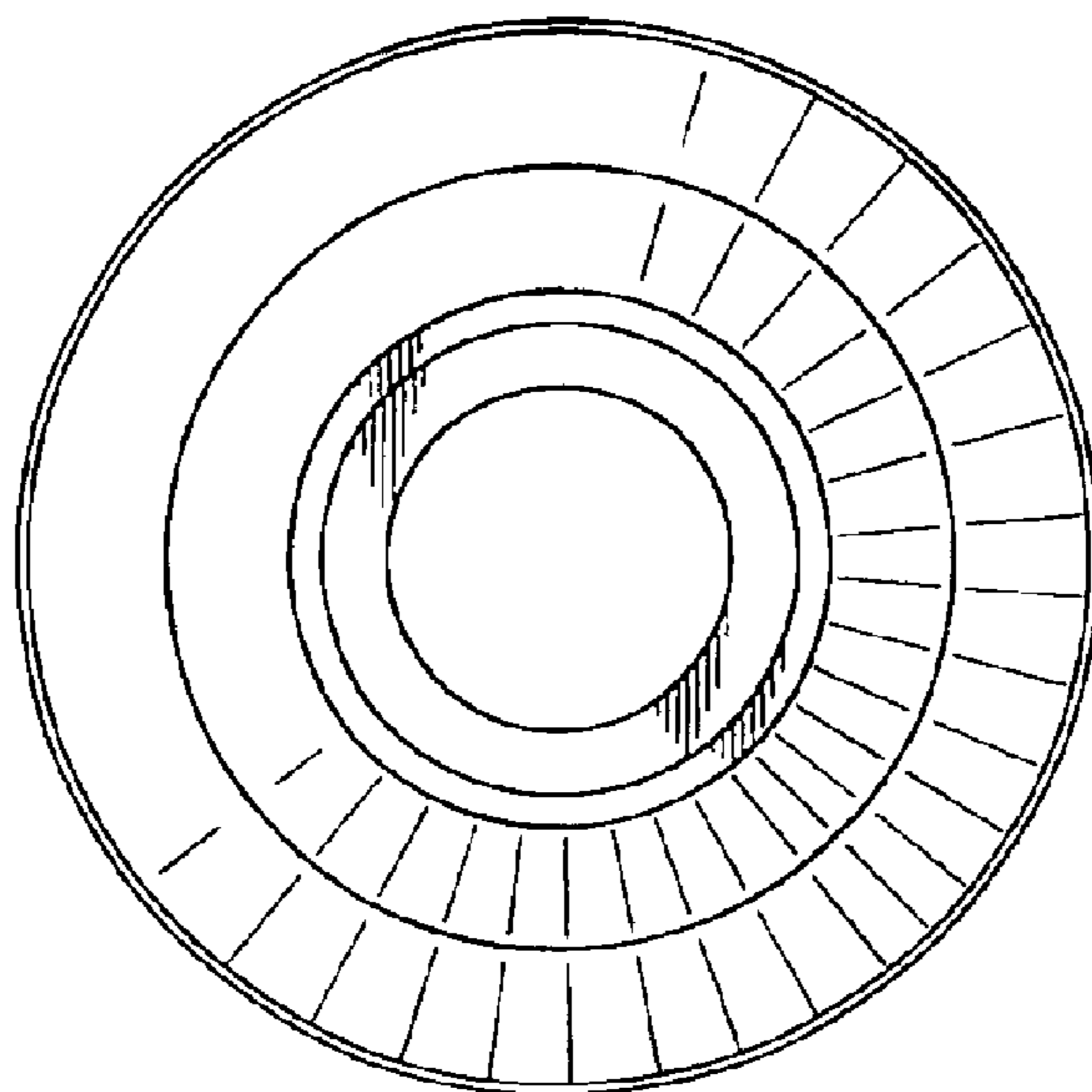
*FIG. 2*



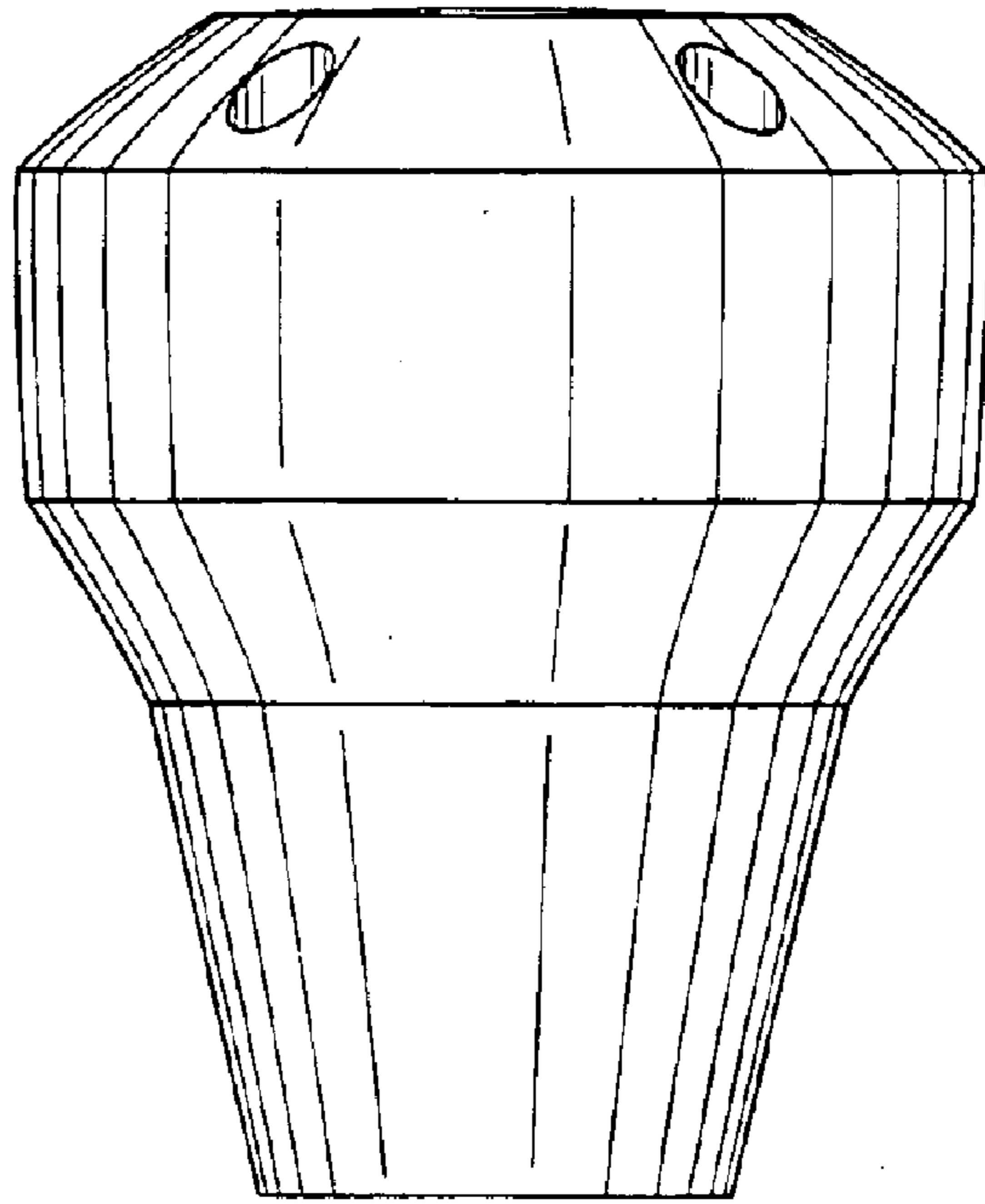
*FIG. 3*



*FIG. 4*



*FIG. 5*



*FIG. 6*

