

US00D505365S

(12) **United States Design Patent**
Thompson et al.

(10) **Patent No.: US D505,365 S**
(45) **Date of Patent: ** May 24, 2005**

(54) **ADJUSTABLE BED CARRIAGE**

(75) Inventors: **Ralph Thompson**, Burlington (CA);
Geoff Rutherford, Milton (CA); **Brian Freeborn**, Mississauga (CA)

(73) Assignee: **M.C. Healthcare Products Inc.**

(**) Term: **14 Years**

(21) Appl. No.: **29/192,155**

(22) Filed: **Oct. 21, 2003**

Related U.S. Application Data

(63) Continuation-in-part of application No. 10/406,253, filed on Apr. 4, 2003, which is a continuation-in-part of application No. 29/168,823, filed on Oct. 10, 2002.

(51) **LOC (7) Cl.** **12-99**

(52) **U.S. Cl.** **D12/128**

(58) **Field of Search** **D12/128-133;**
5/81.1, 83.1, 86.1, 428, 618, 620; 280/250.1;
297/DIG. 4

(56) **References Cited**

U.S. PATENT DOCUMENTS

2,675,285 A	4/1954	Terry et al.
3,003,159 A	10/1961	Herbert et al.
3,220,020 A	11/1965	Nelson
3,636,586 A	1/1972	Bollinger et al.
3,676,881 A	7/1972	Duprey
4,023,849 A	5/1977	Bethlen

(Continued)

OTHER PUBLICATIONS

“Experience & Technology for the 21st Century”, Faultless Catalog 2200, prior to Oct. 21, 2003.

Primary Examiner—Marcus A. Jackson

(57) **CLAIM**

The ornamental design for an adjustable bed carriage, as shown and described.

DESCRIPTION

FIG. 1 is a perspective view of the top and front of the adjustable bed carriage showing our new design;

FIG. 2 is a perspective view of the underside and back thereof;

FIG. 3 is a side view thereof showing a frame portion of the bed carriage in a raised position;

FIG. 4 is a side view thereof showing the frame portion in a lowered position;

FIG. 5 is a back view thereof showing the frame portion in the raised position;

FIG. 6 is a front view thereof;

FIG. 7 is a top view thereof;

FIG. 8 is a bottom view thereof;

FIG. 9 is a perspective view of the top and front of an alternative embodiment of the adjustable bed carriage;

FIG. 10 is a perspective view of the underside and back thereof;

FIG. 11 is a side view thereof showing a frame portion of the bed carriage in the raised position;

FIG. 12 is a side view thereof showing the frame portion in the lowered position;

FIG. 13 is a back view thereof showing the frame portion in the raised position;

FIG. 14 is a front view thereof;

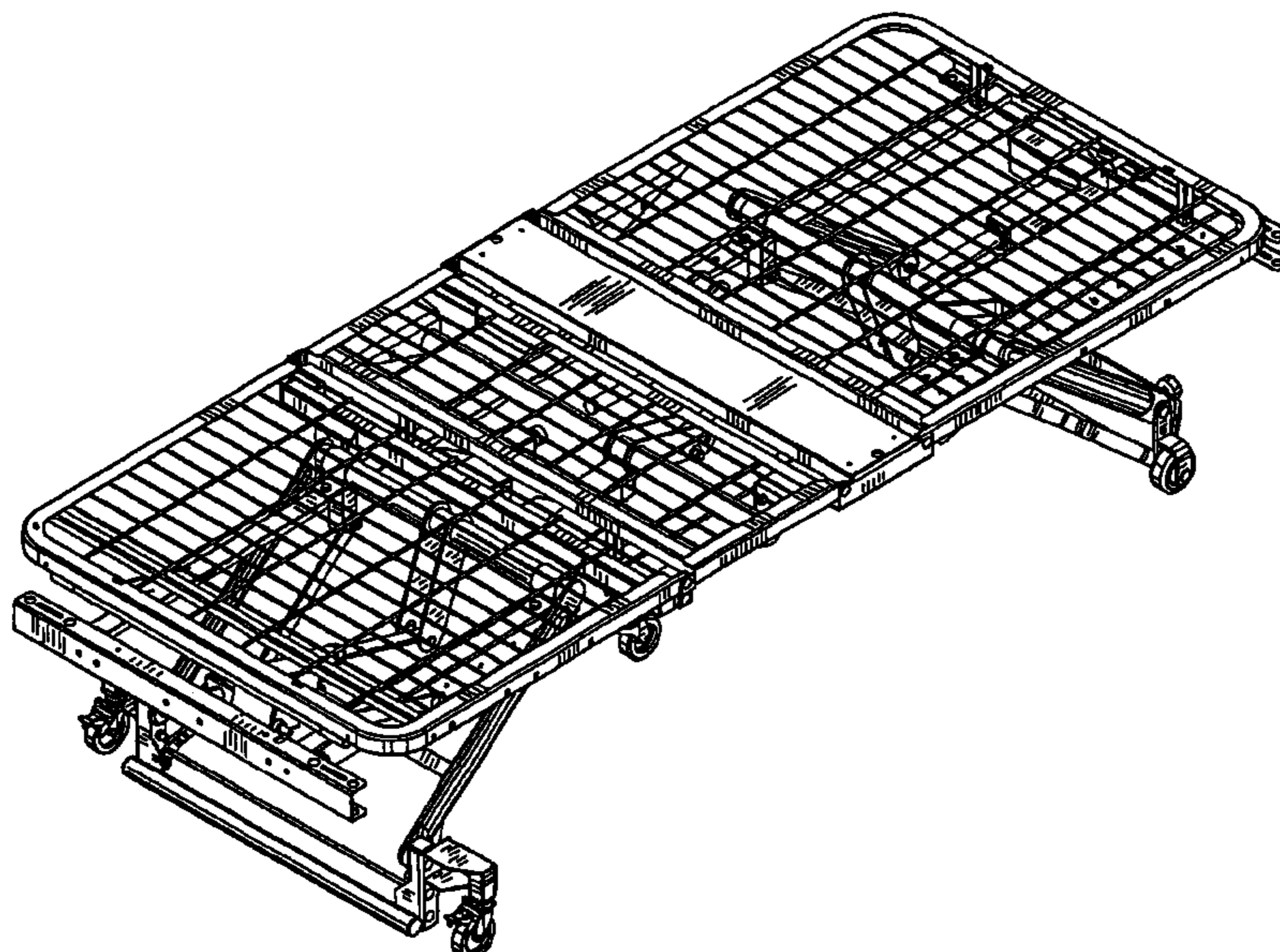
FIG. 15 is a top view thereof;

FIG. 16 is a bottom view thereof; and,

FIG. 17 is a perspective view of the top and front thereof showing a headboard and a footboard positioned on the adjustable bed carriage.

The broken lines showing of environment are for illustrative purposes only and form no part of the claimed design.

1 Claim, 15 Drawing Sheets



US D505,365 S

Page 2

U.S. PATENT DOCUMENTS

4,037,291 A	7/1977	Huempfer et al.	5,438,723 A	8/1995	Carroll
4,062,075 A	12/1977	Stern et al.	5,544,375 A	8/1996	Urness et al.
4,097,939 A	7/1978	Peck et al.	5,636,394 A	6/1997	Bartley
4,385,414 A	5/1983	Damico	5,653,096 A	8/1997	Edwards
4,472,845 A	9/1984	Chivetta et al.	5,669,090 A	9/1997	Basgall
4,685,160 A	8/1987	Rizzardo	5,720,059 A	2/1998	Allevato et al.
4,788,741 A	12/1988	Hilborn	5,878,452 A	3/1999	Brooke et al.
4,793,445 A	12/1988	Collignon et al.	6,163,924 A	12/2000	Ward, Jr. et al.
5,084,922 A	2/1992	Louit	6,230,344 B1	5/2001	Thompson et al.
5,095,562 A	3/1992	Alexander	6,240,713 B1	6/2001	Thomas
5,105,486 A	4/1992	Peterson	6,321,878 B1	11/2001	Mobley et al.
5,197,156 A *	3/1993	Stryker et al. D12/128	6,357,065 B1	3/2002	Adams
5,242,035 A	9/1993	Lange	6,405,393 B2	6/2002	Megown
5,257,428 A	11/1993	Carroll et al.	D464,004 S *	10/2002	Noshi D12/128
5,303,437 A *	4/1994	Hung D12/128	6,516,479 B1	2/2003	Barbour
5,303,450 A	4/1994	Lange	D483,701 S *	12/2003	Bazan D12/128
5,317,769 A	6/1994	Weismiller et al.	2001/0047547 A1	12/2001	Paul
5,347,682 A	9/1994	Edgerton, Jr.	2003/0033672 A1	2/2003	Jehn
5,404,603 A	4/1995	Fukai et al.			

* cited by examiner

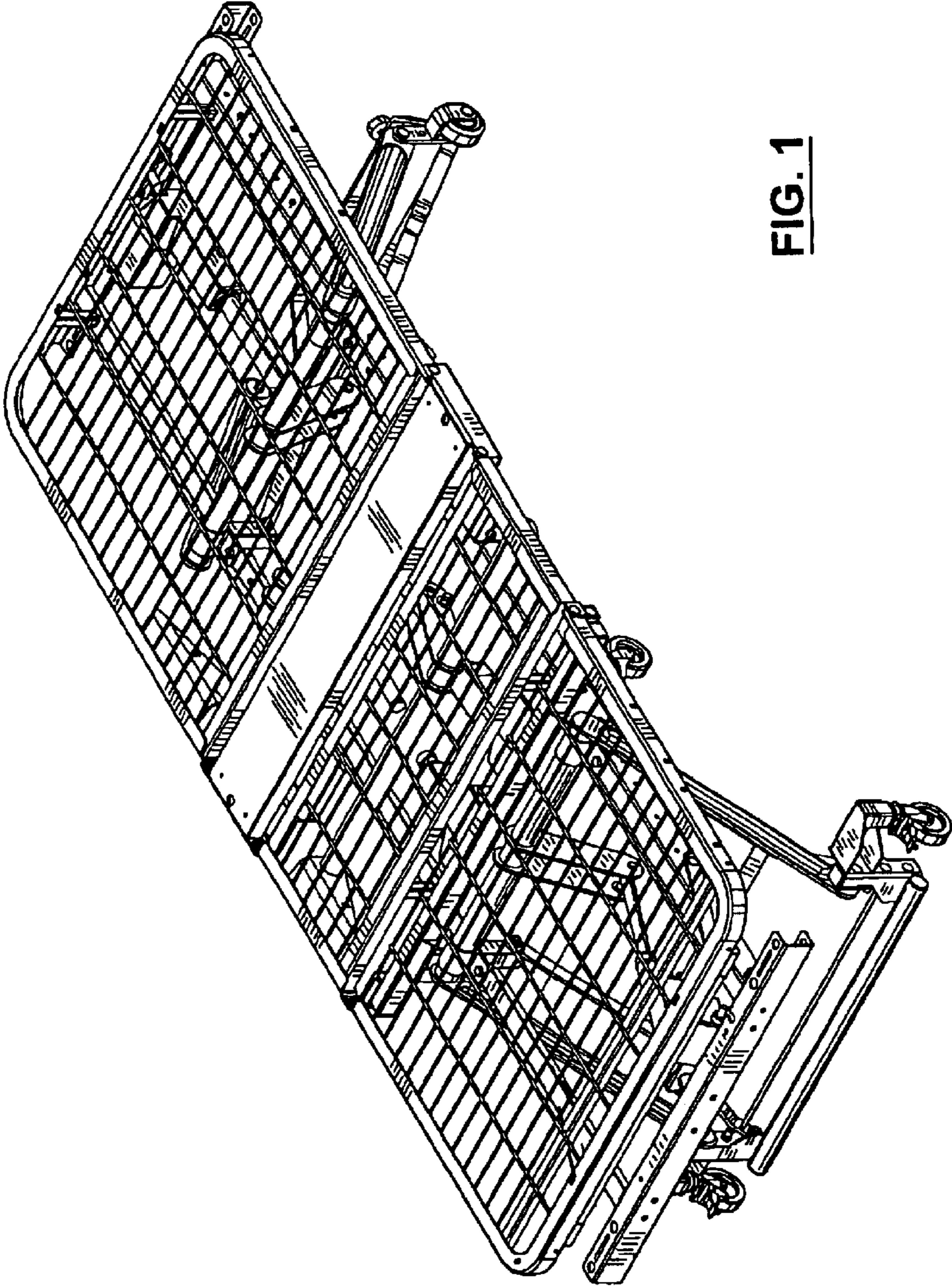


FIG. 1

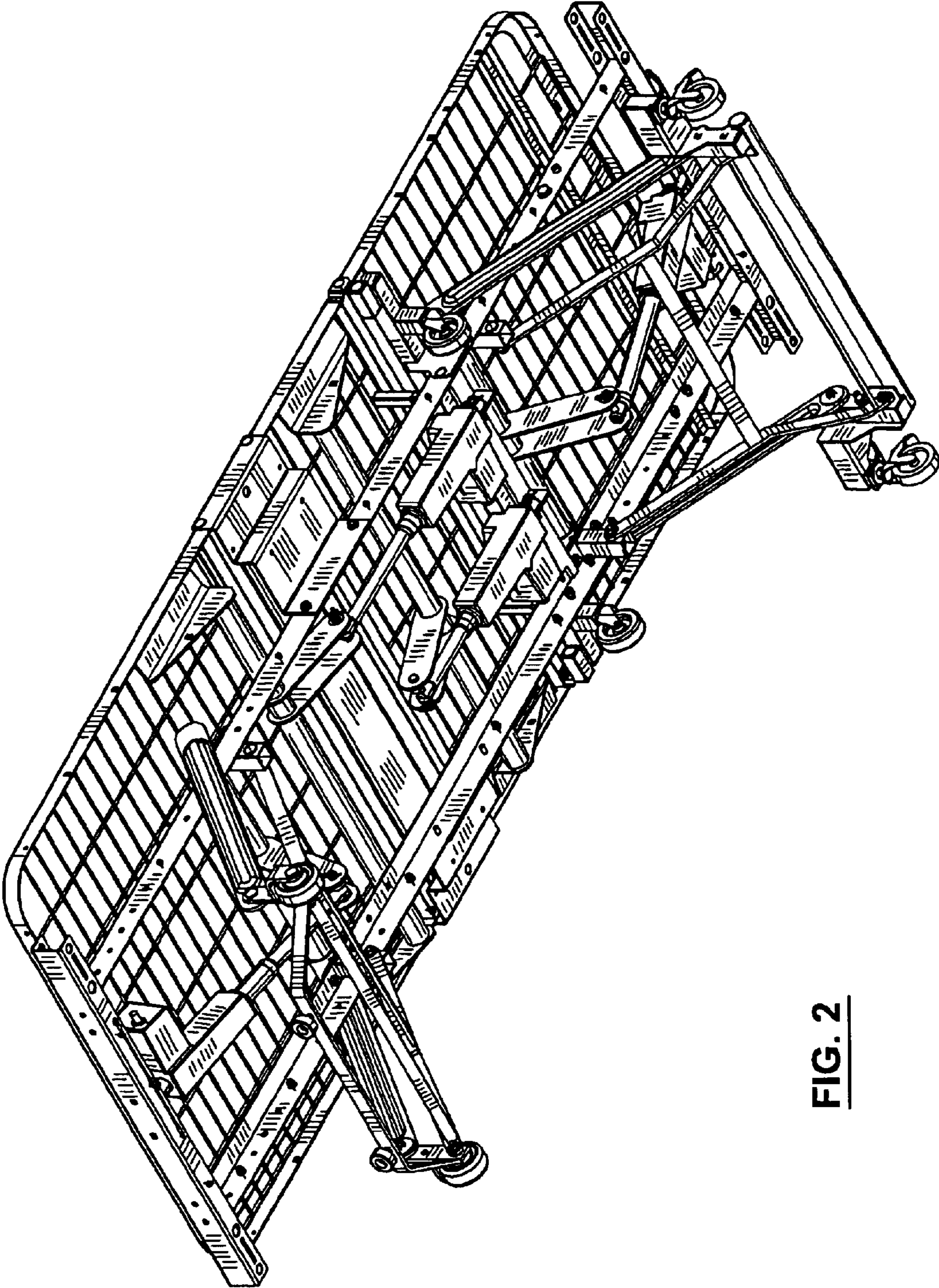


FIG. 2

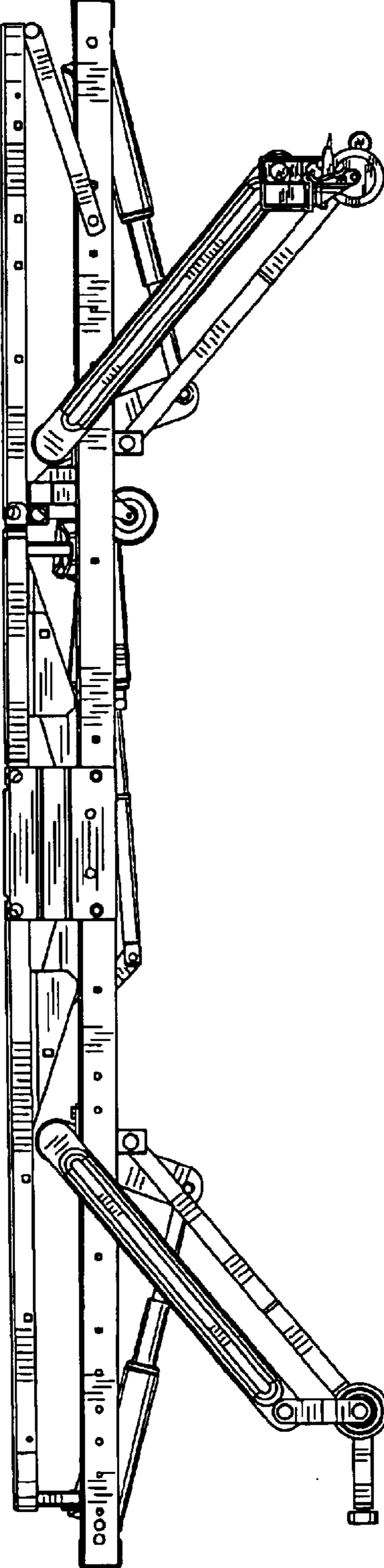


FIG. 3

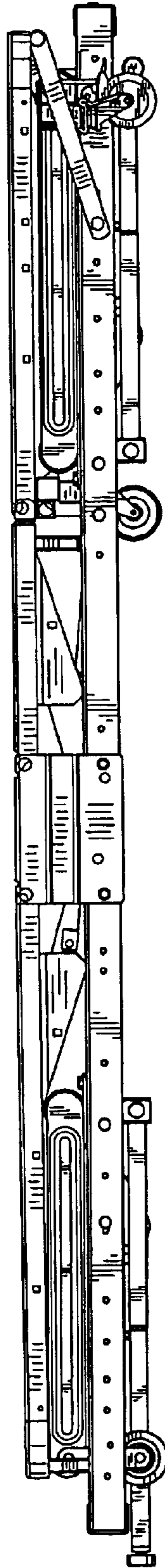


FIG. 4

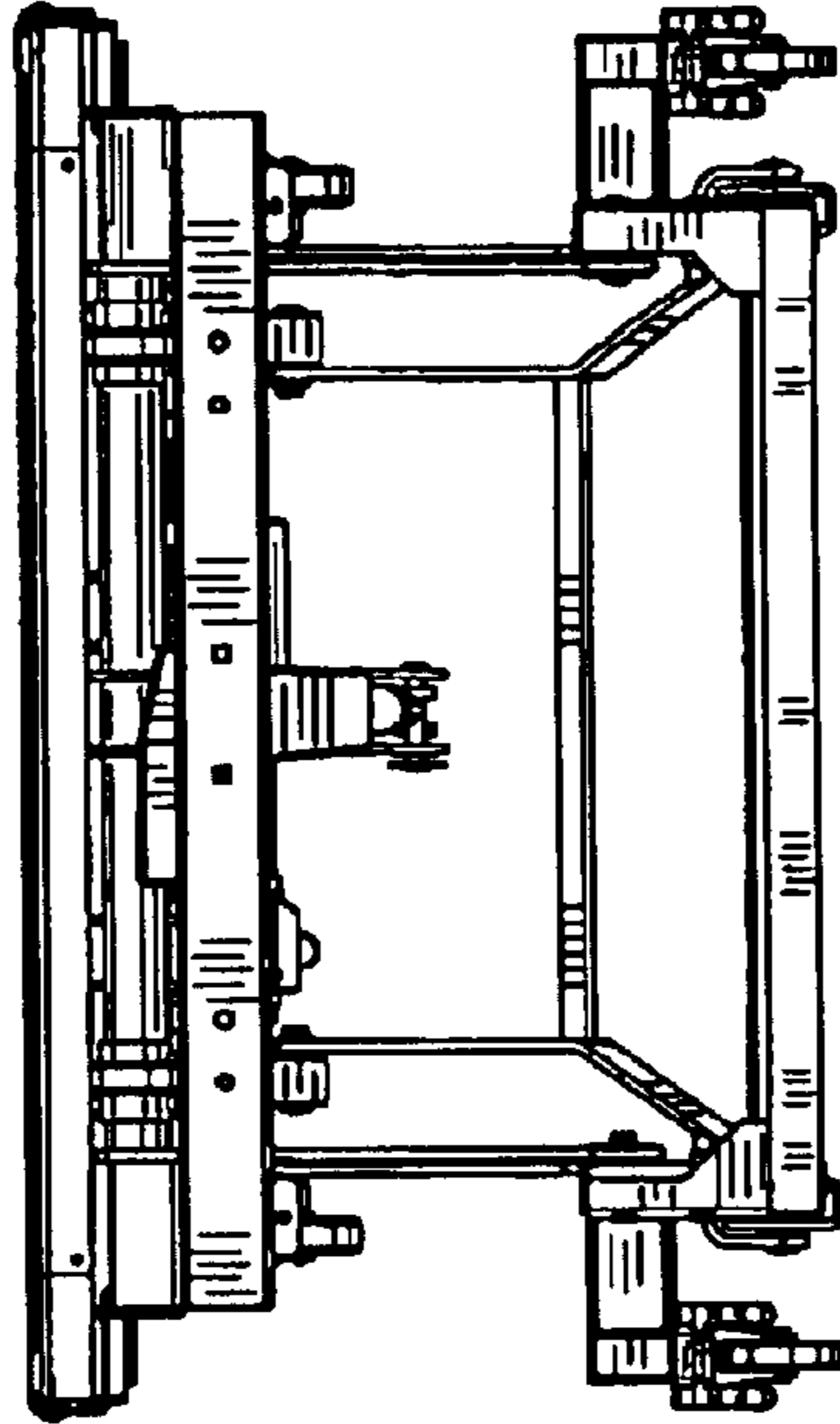


FIG. 6

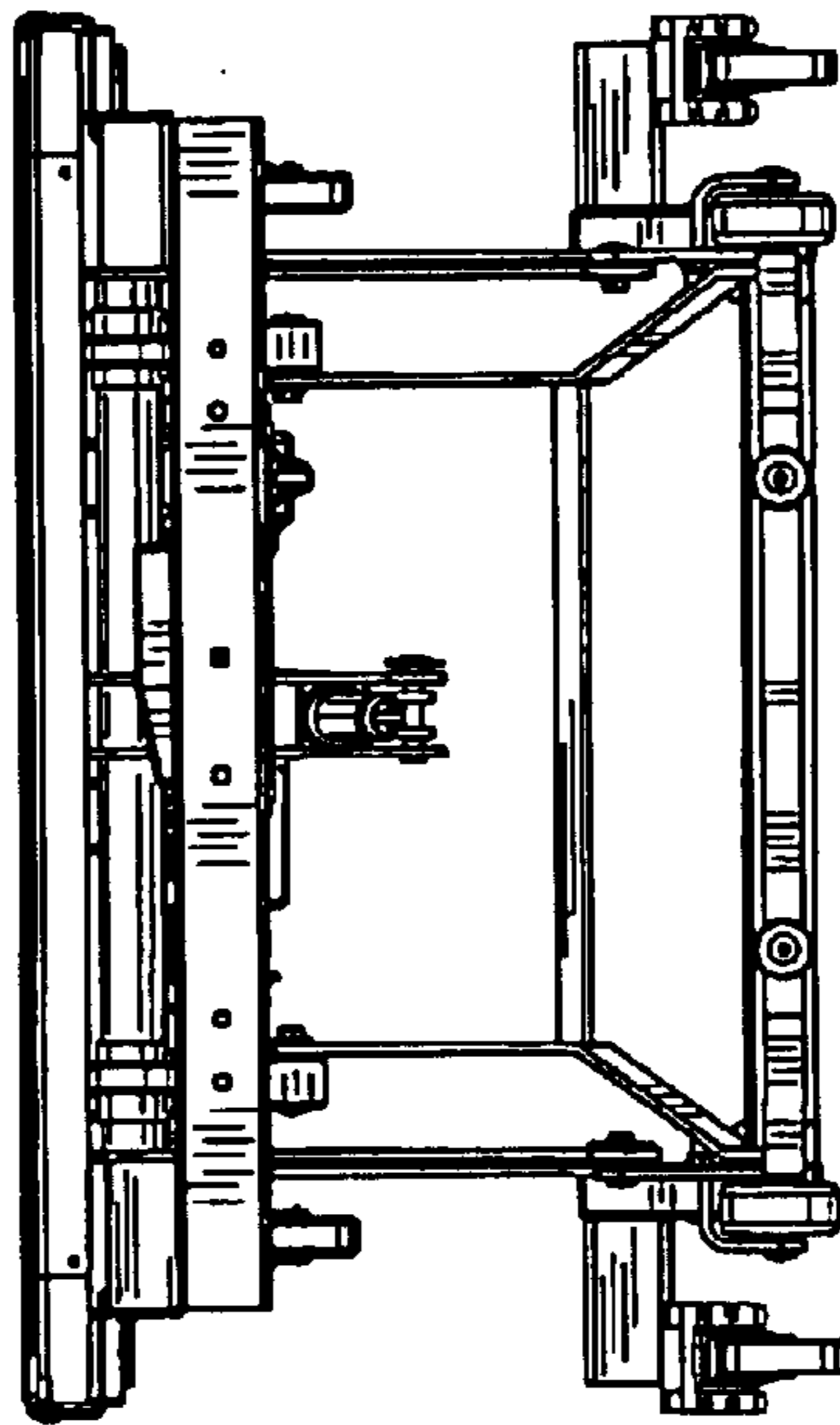


FIG. 5

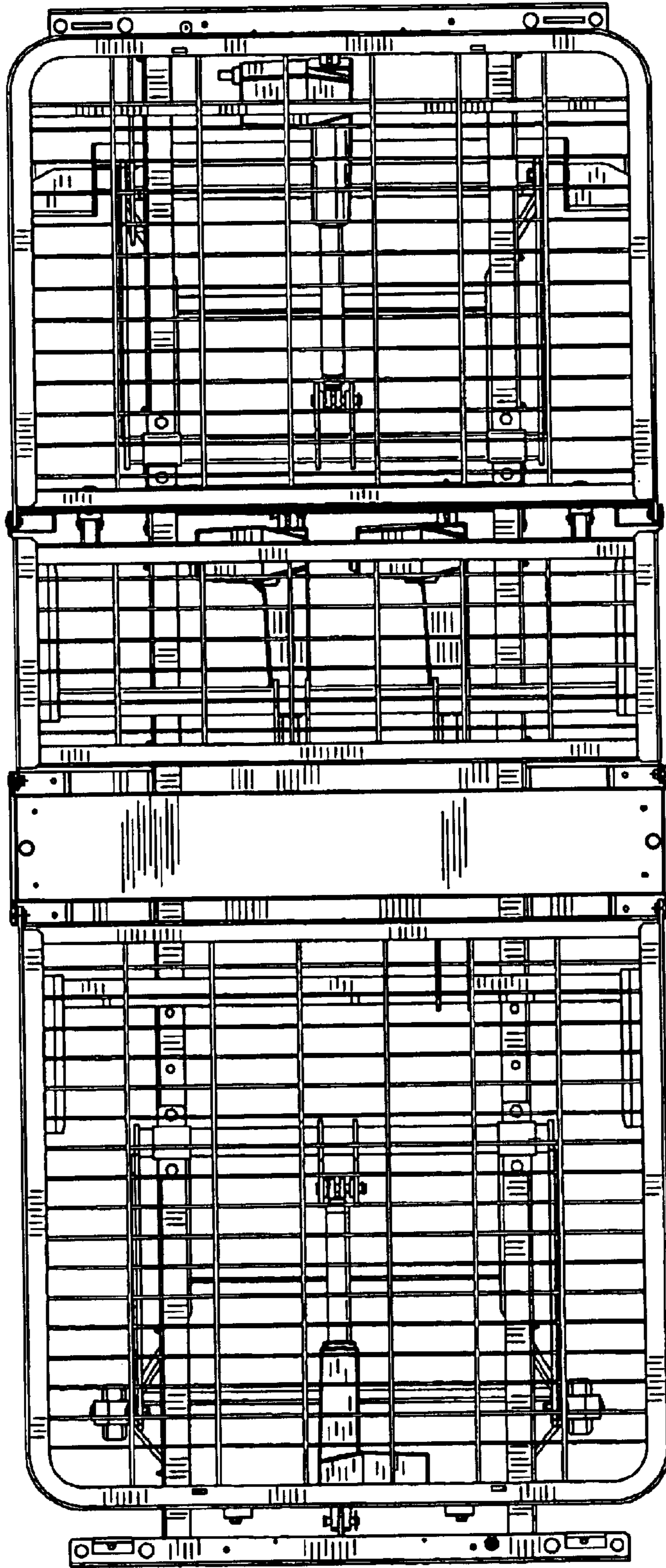


FIG. 7

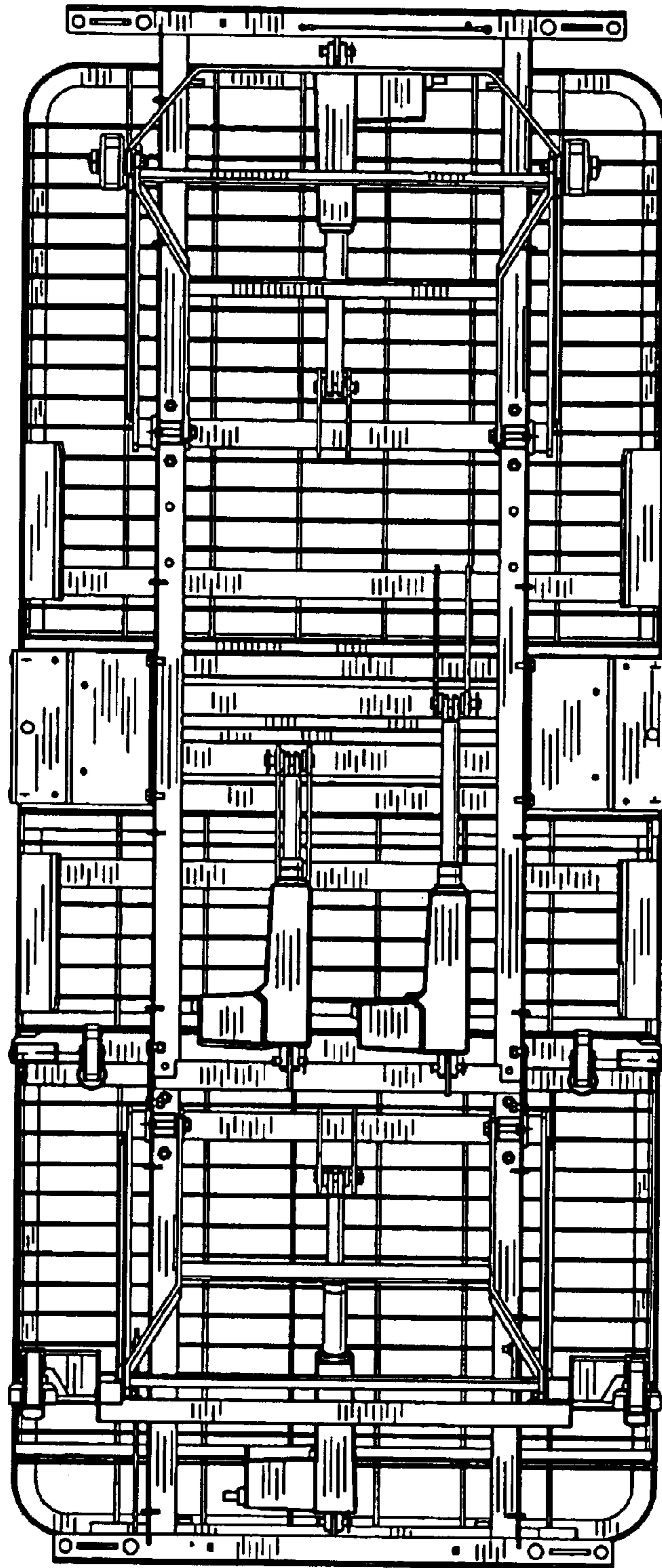


FIG. 8

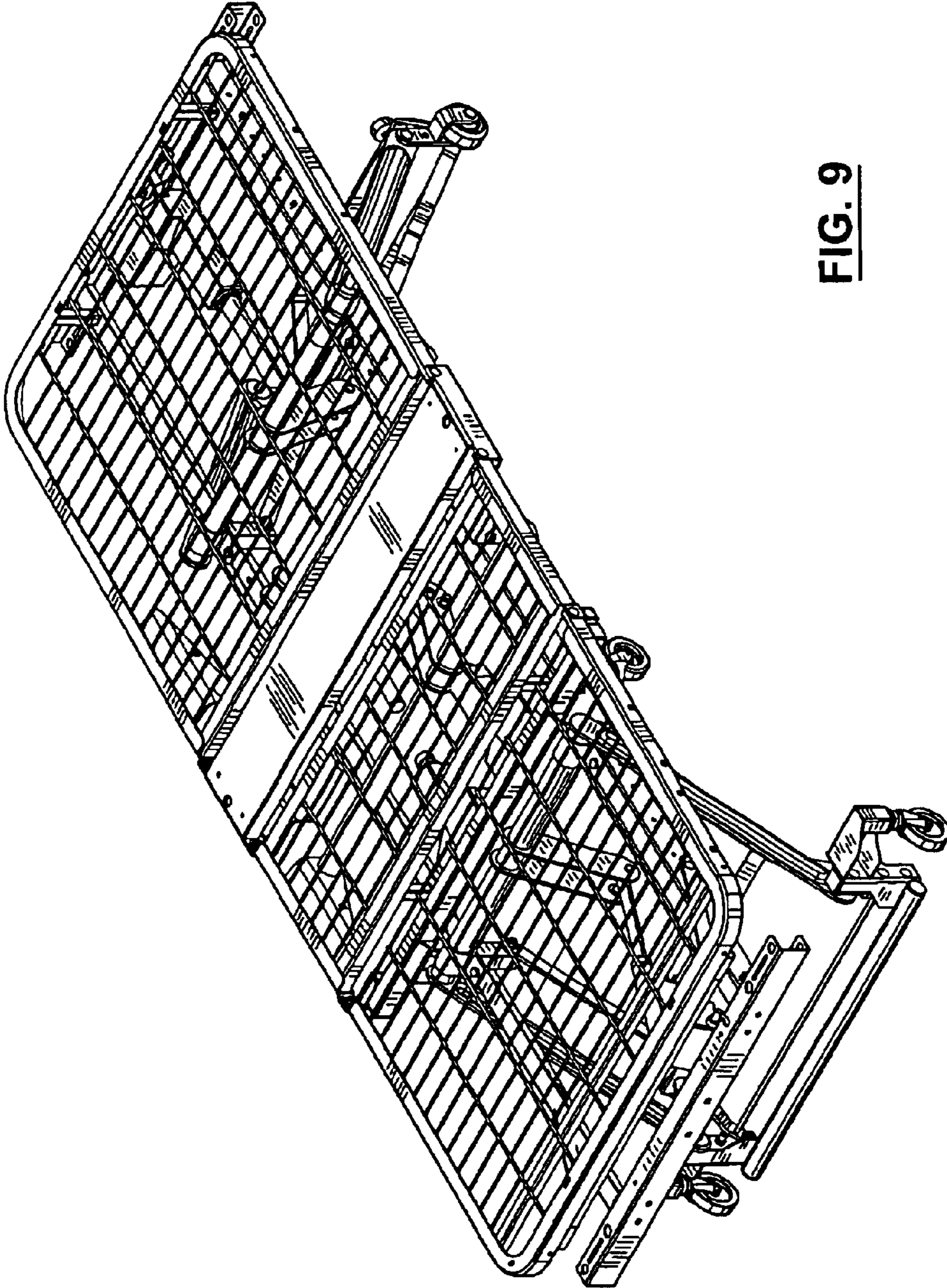


FIG. 9

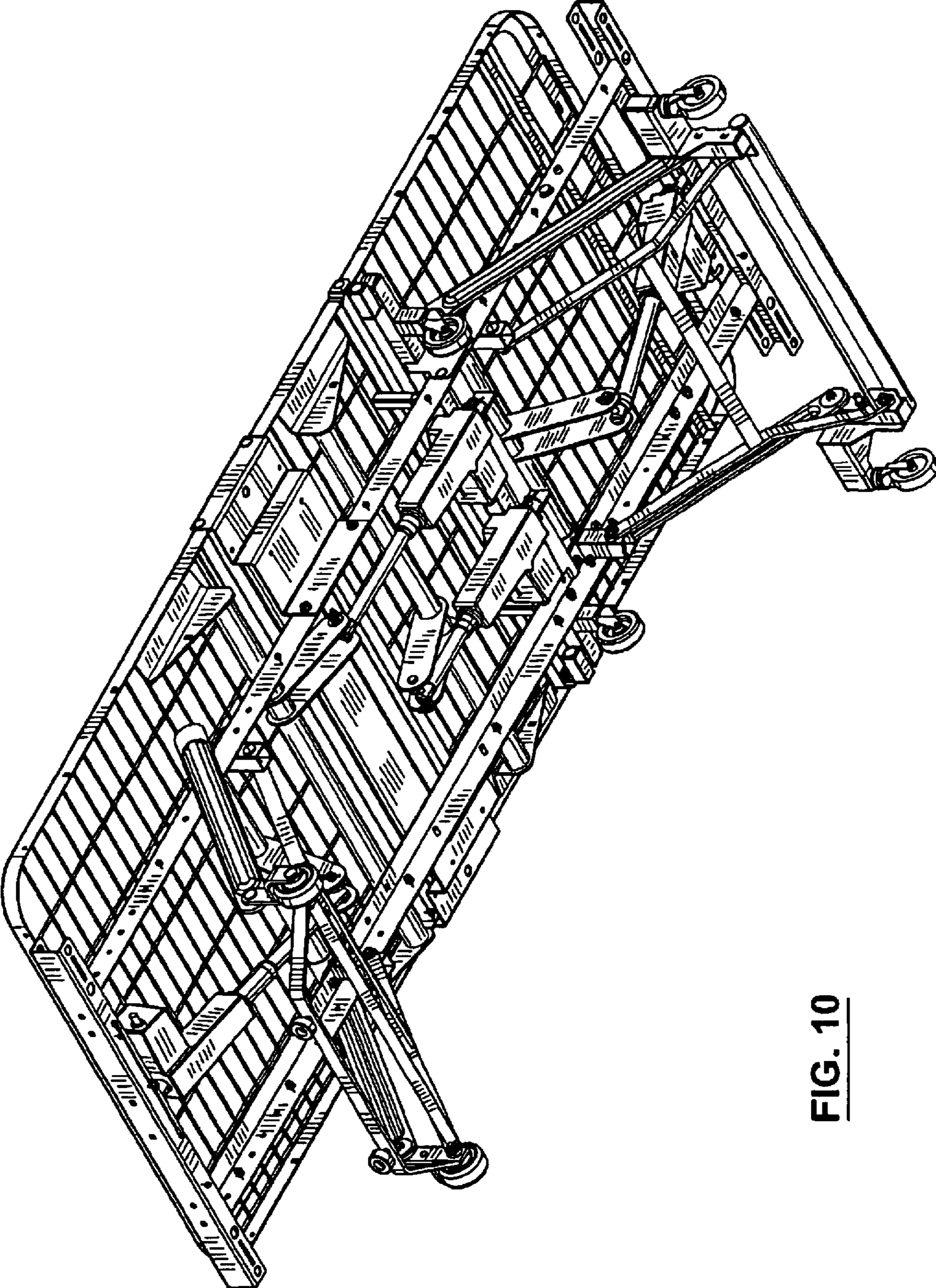


FIG. 10

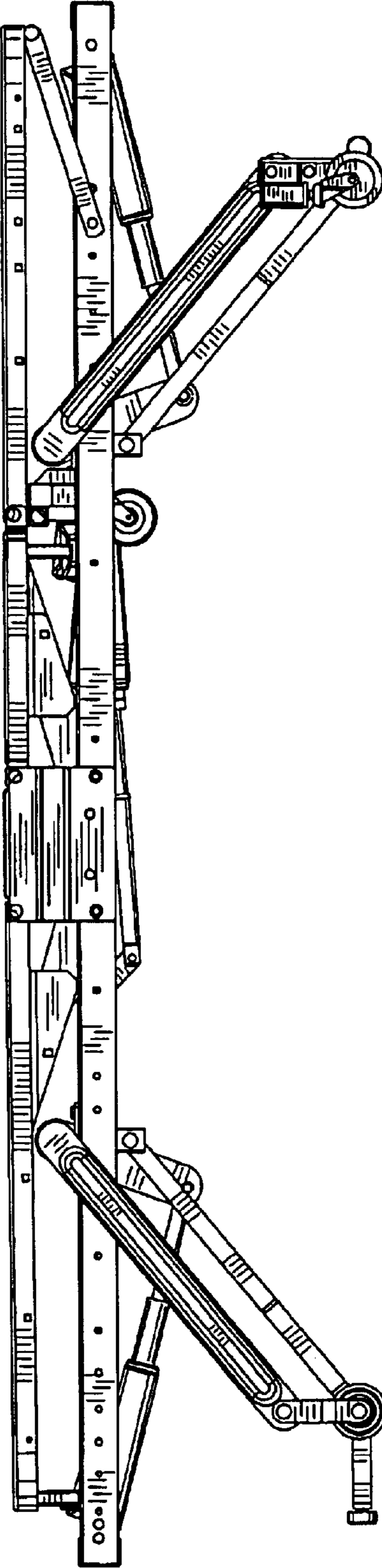


FIG. 11

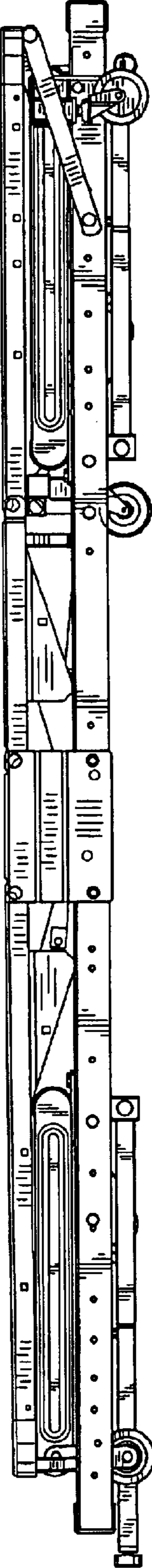


FIG. 12

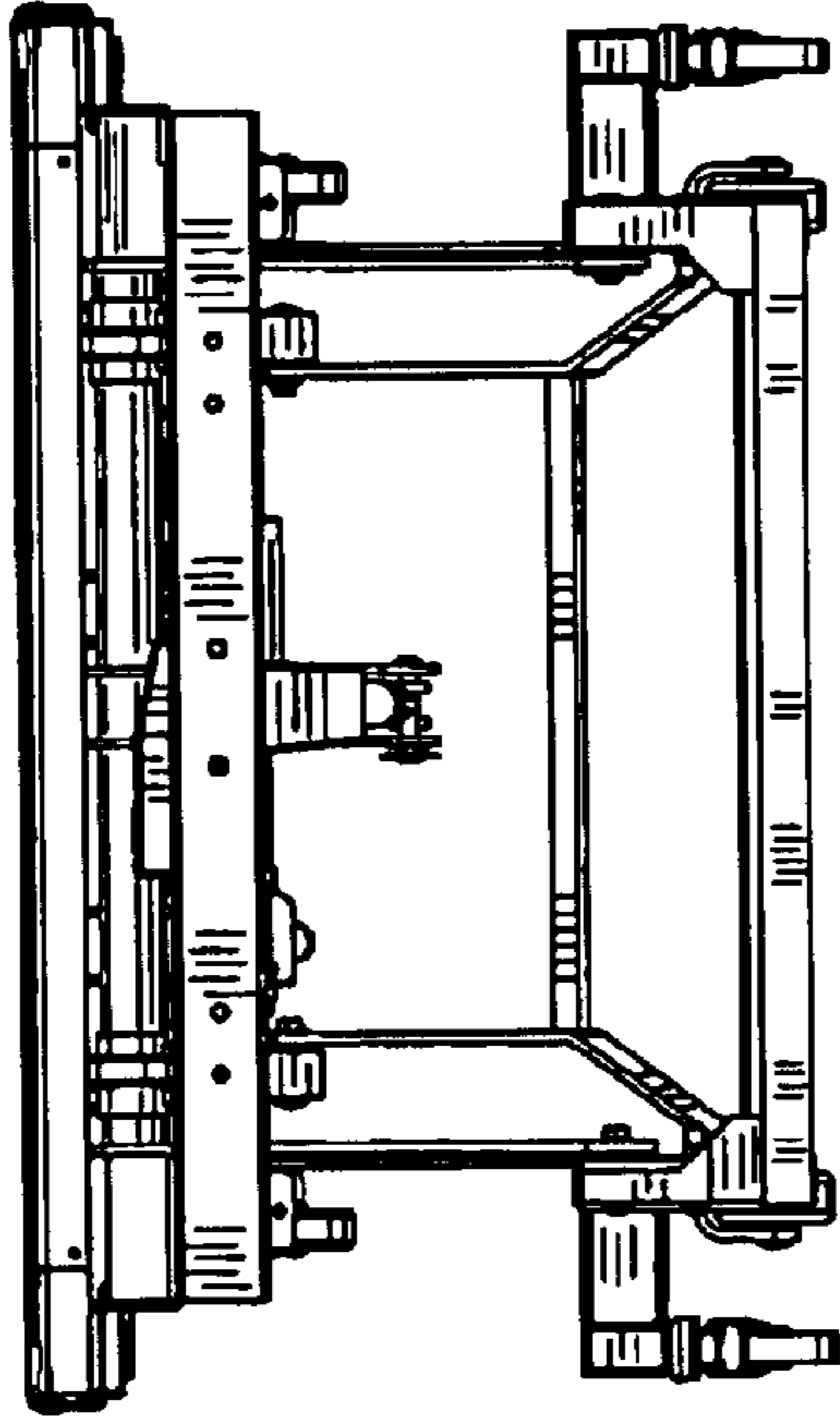


FIG. 14

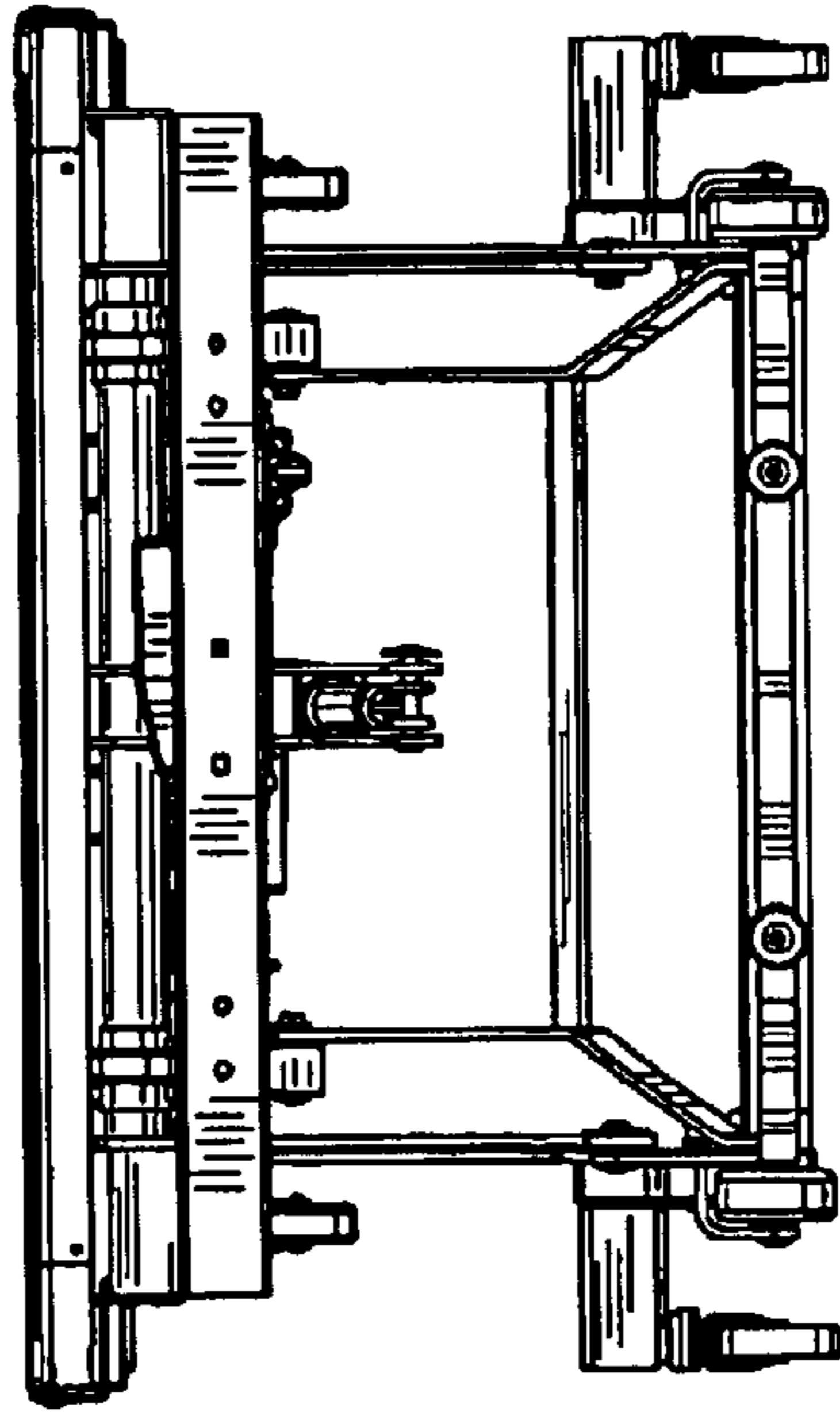


FIG. 13

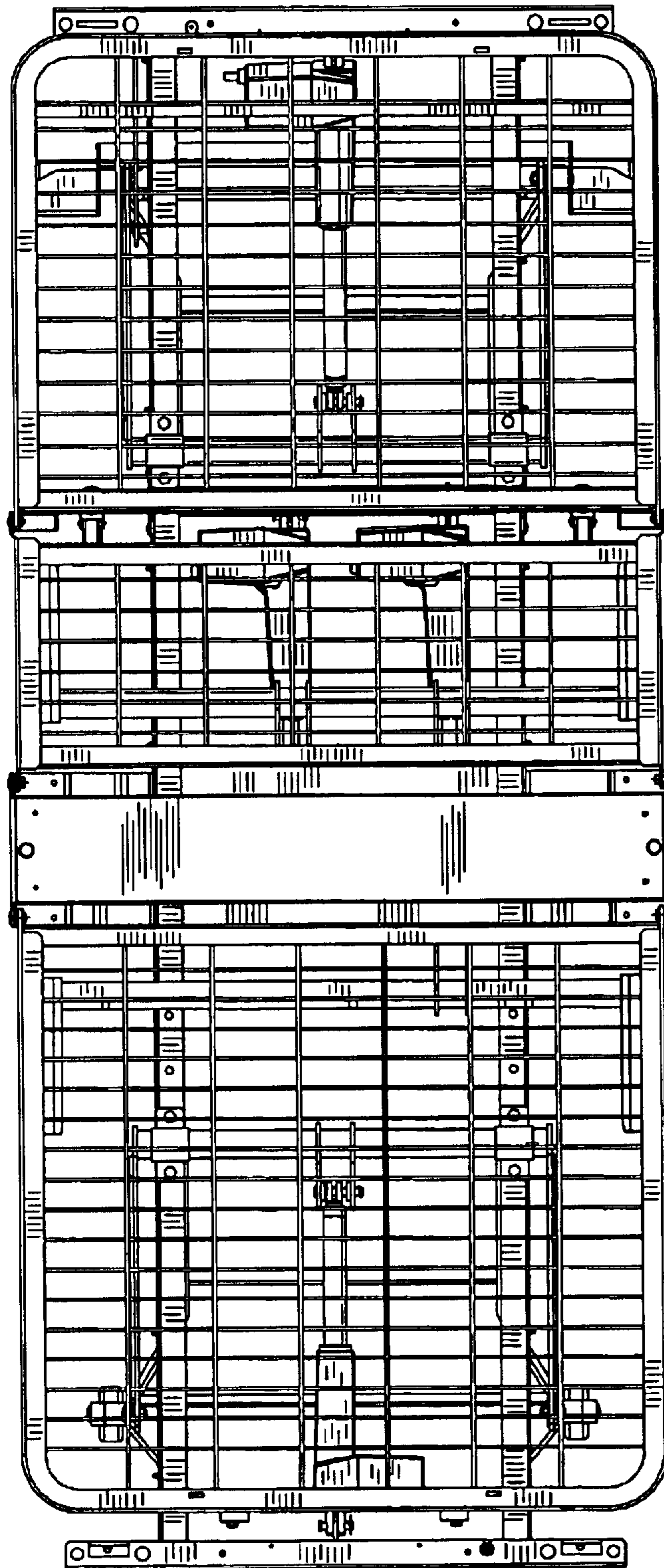


FIG. 15

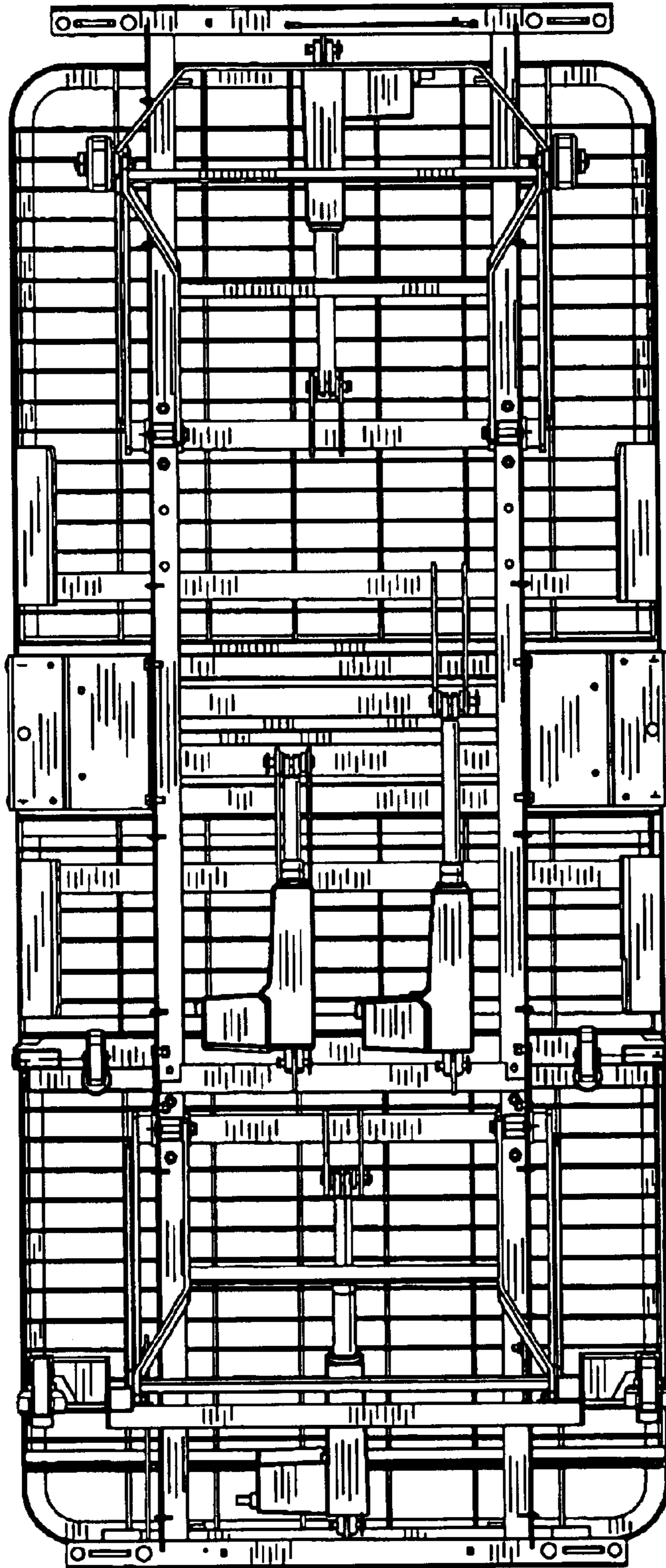


FIG. 16

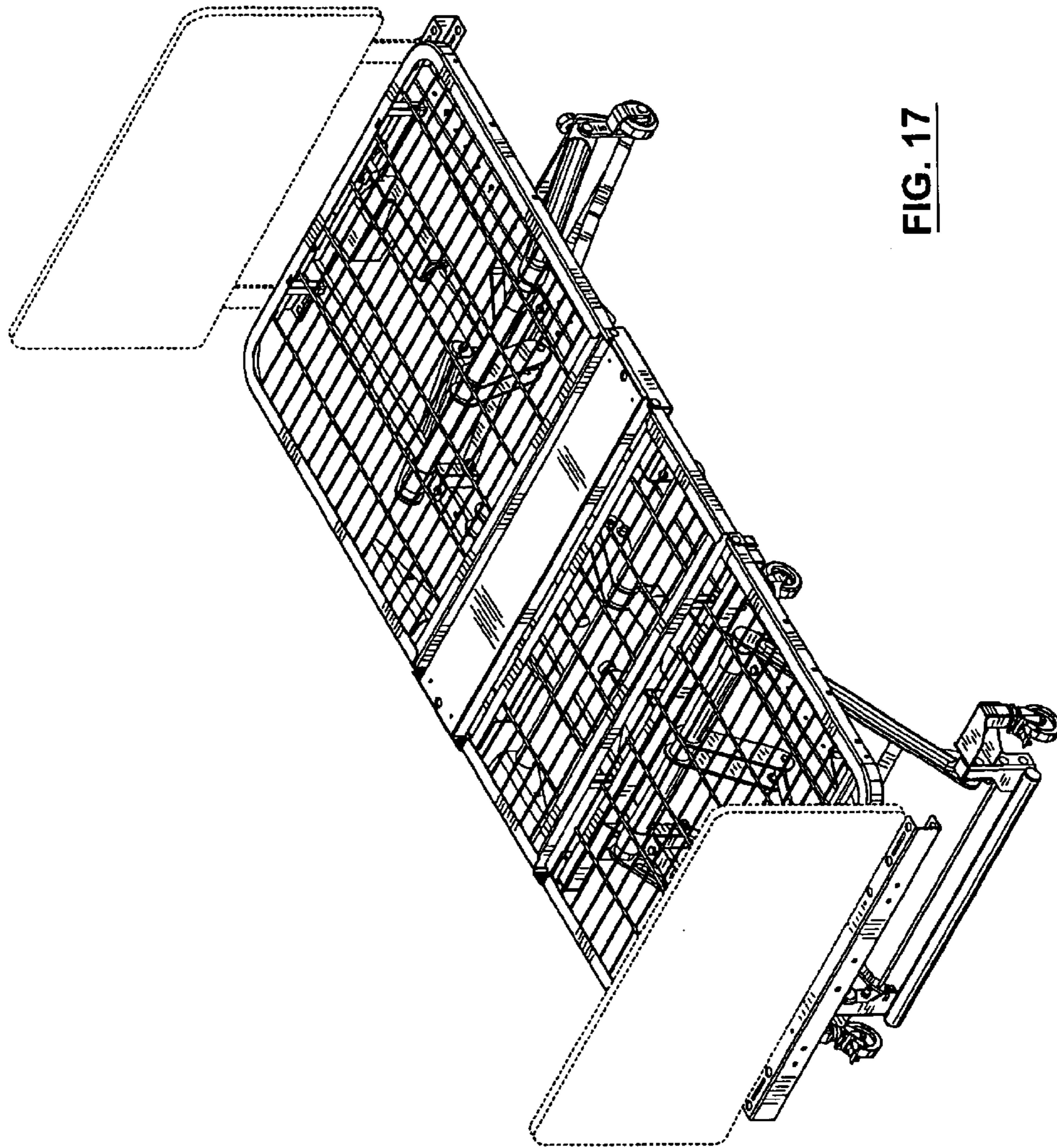


FIG. 17