

US00D505362S

(12) **United States Design Patent**  
**Nakamura**

(10) **Patent No.:** **US D505,362 S**

(45) **Date of Patent:** **\*\* May 24, 2005**

(54) **ALL TERRAIN VEHICLE**

(75) **Inventor:** **Takuya Nakamura, Shizuoka (JP)**

(73) **Assignee:** **Suzuki Motor Corporation (JP)**

(\*\*) **Term:** **14 Years**

(21) **Appl. No.:** **29/197,850**

(22) **Filed:** **Jan. 21, 2004**

(30) **Foreign Application Priority Data**

Jul. 22, 2003 (JP) ..... 2003-021048

(51) **LOC (7) Cl.** ..... **12-11**

(52) **U.S. Cl.** ..... **D12/107**

(58) **Field of Search** ..... **D12/87, 107; 180/225,**  
**180/229, 233, 311, 312, 315**

(56) **References Cited**

**FOREIGN PATENT DOCUMENTS**

JP	61-653	5/1994
JP	10-36643	3/2000
JP	2000-34891	10/2001
JP	2000-36397	10/2001

*Primary Examiner*—Alan P. Douglas

*Assistant Examiner*—Linda Brooks

(74) *Attorney, Agent, or Firm*—Foley Hoag LLP

(57) **CLAIM**

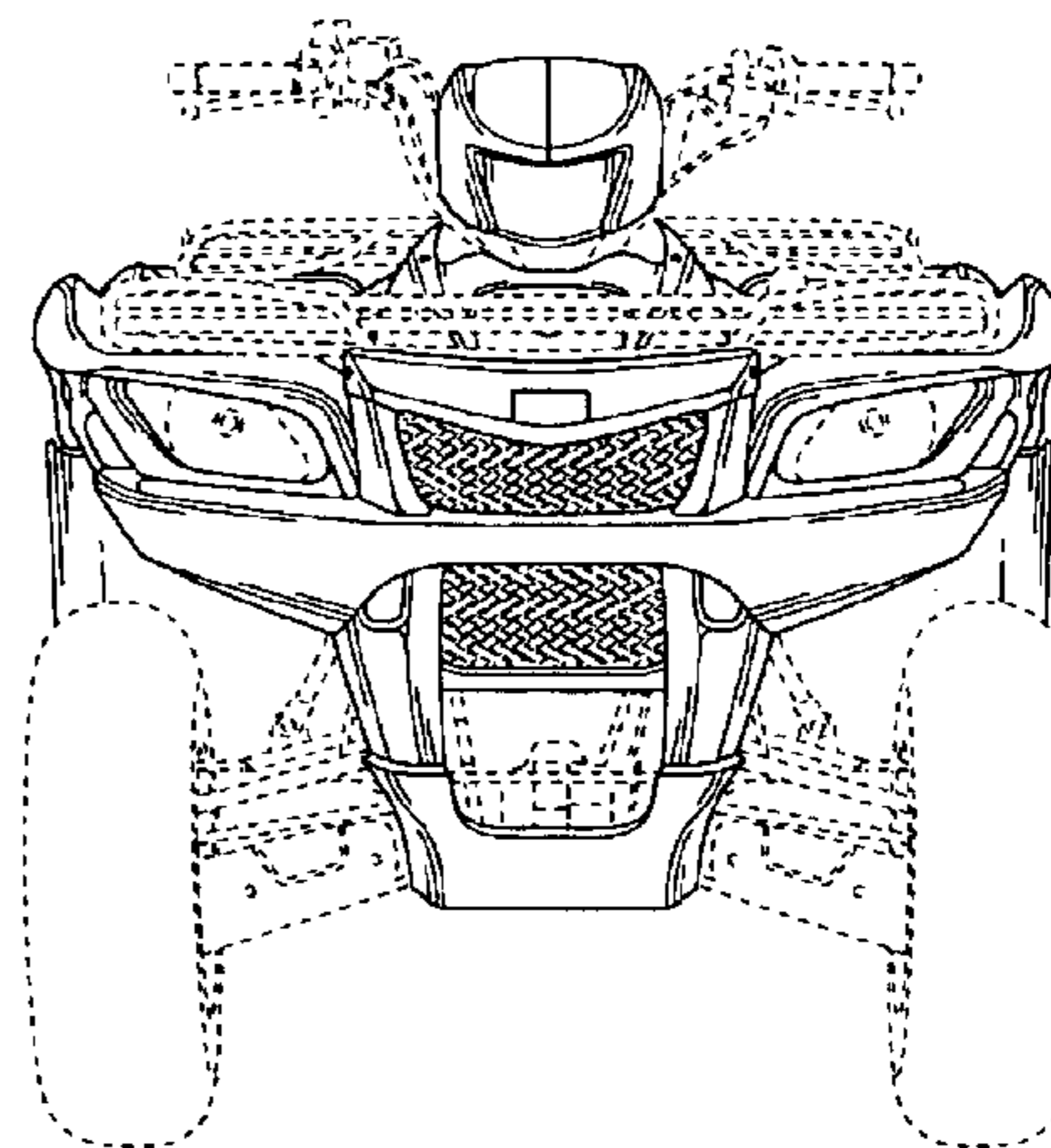
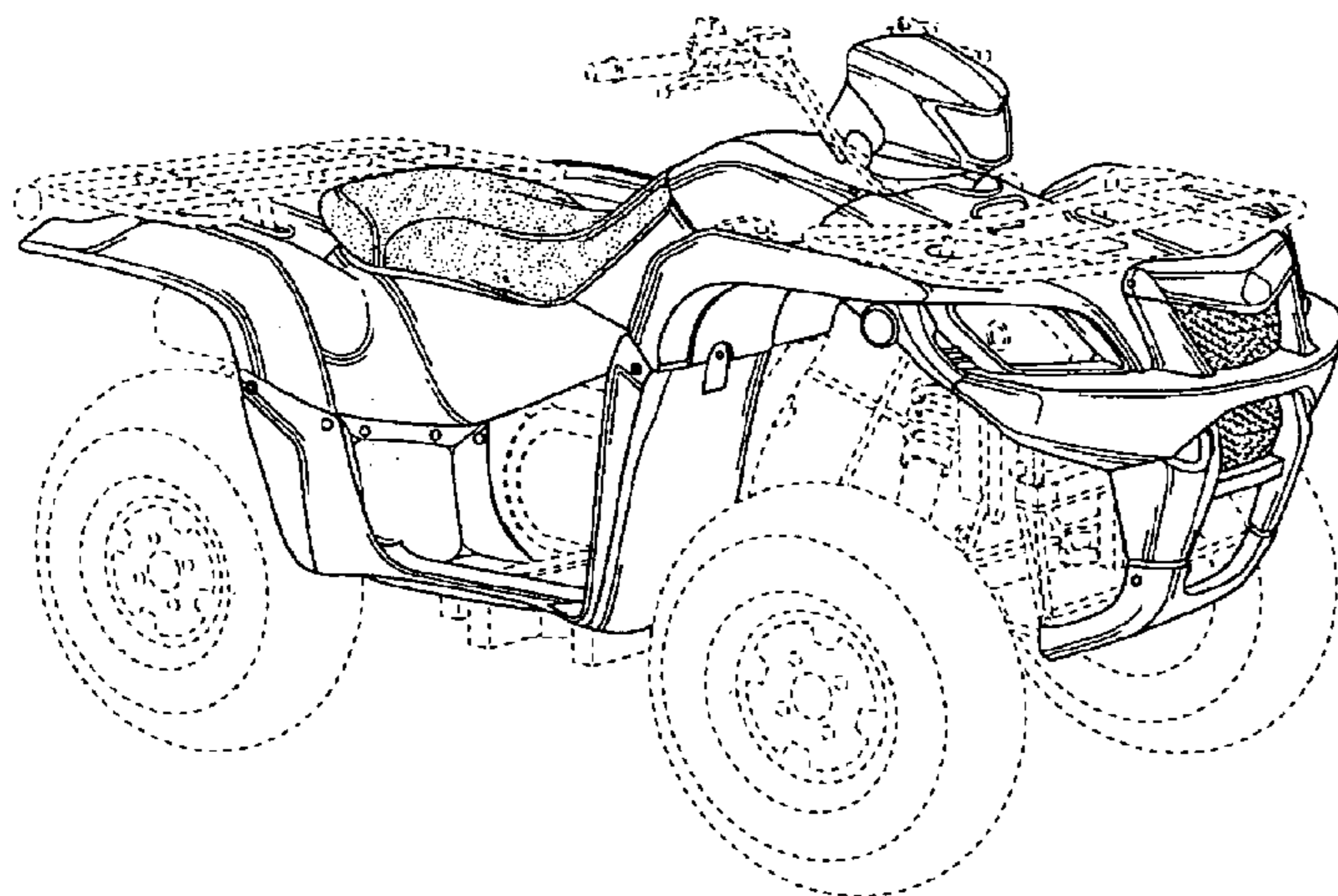
The ornamental design for an all terrain vehicle, as shown and described.

**DESCRIPTION**

FIG. 1 is a front perspective view of the right side of an all terrain vehicle showing my new design; FIG. 2 is a front perspective view of the left side thereof; FIG. 3 is a rear perspective view of the right side thereof; FIG. 4 is a rear perspective view of the left side thereof; FIG. 5 is a top view thereof; FIG. 6 is a bottom view thereof; FIG. 7 is a right side elevational view thereof; FIG. 8 is a left side elevational view thereof; FIG. 9 is a front view thereof; and, FIG. 10 is a rear view thereof.

The broken lines shown are for illustrative purposes only and form no part of the claimed design.

**1 Claim, 10 Drawing Sheets**



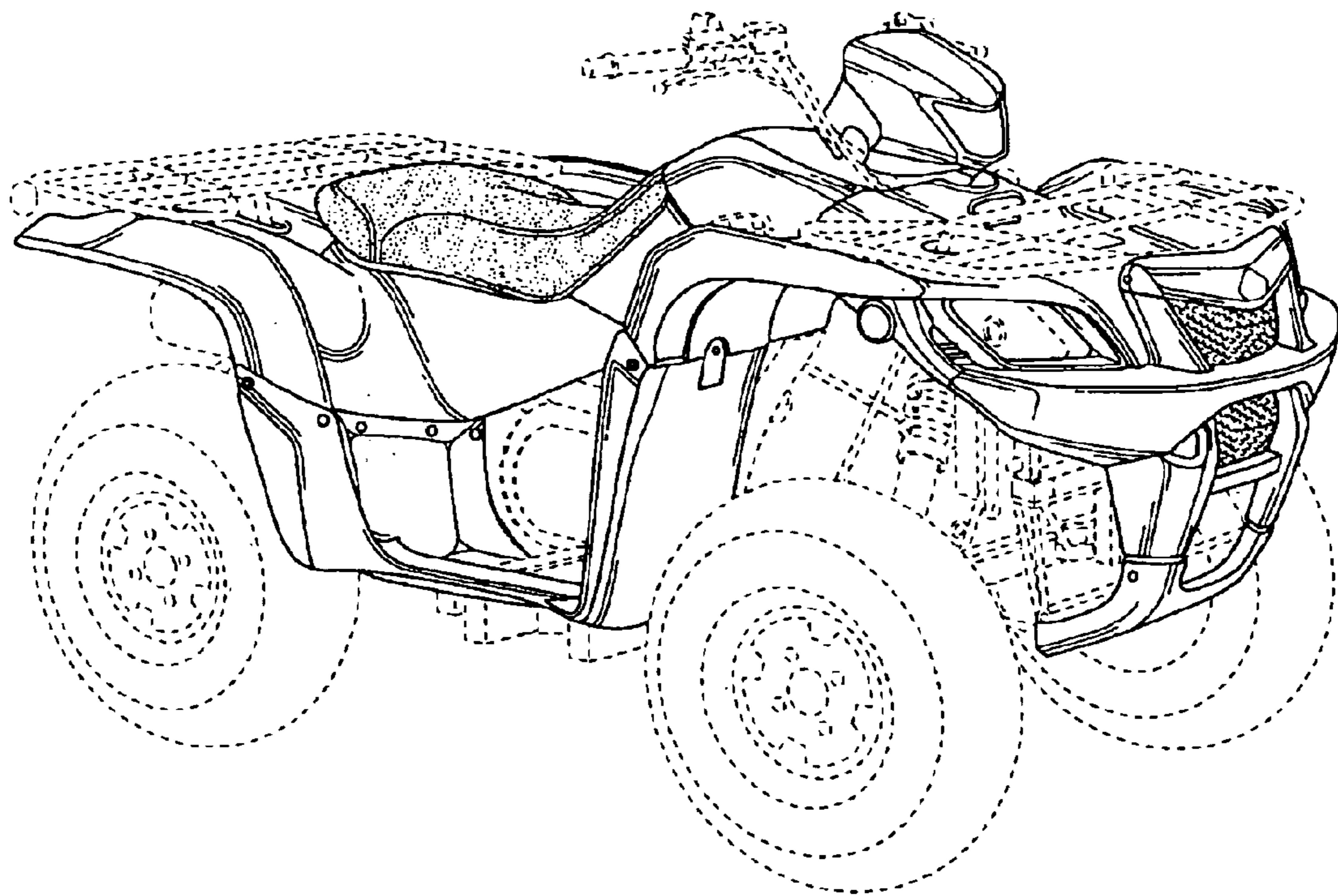


Fig. 1

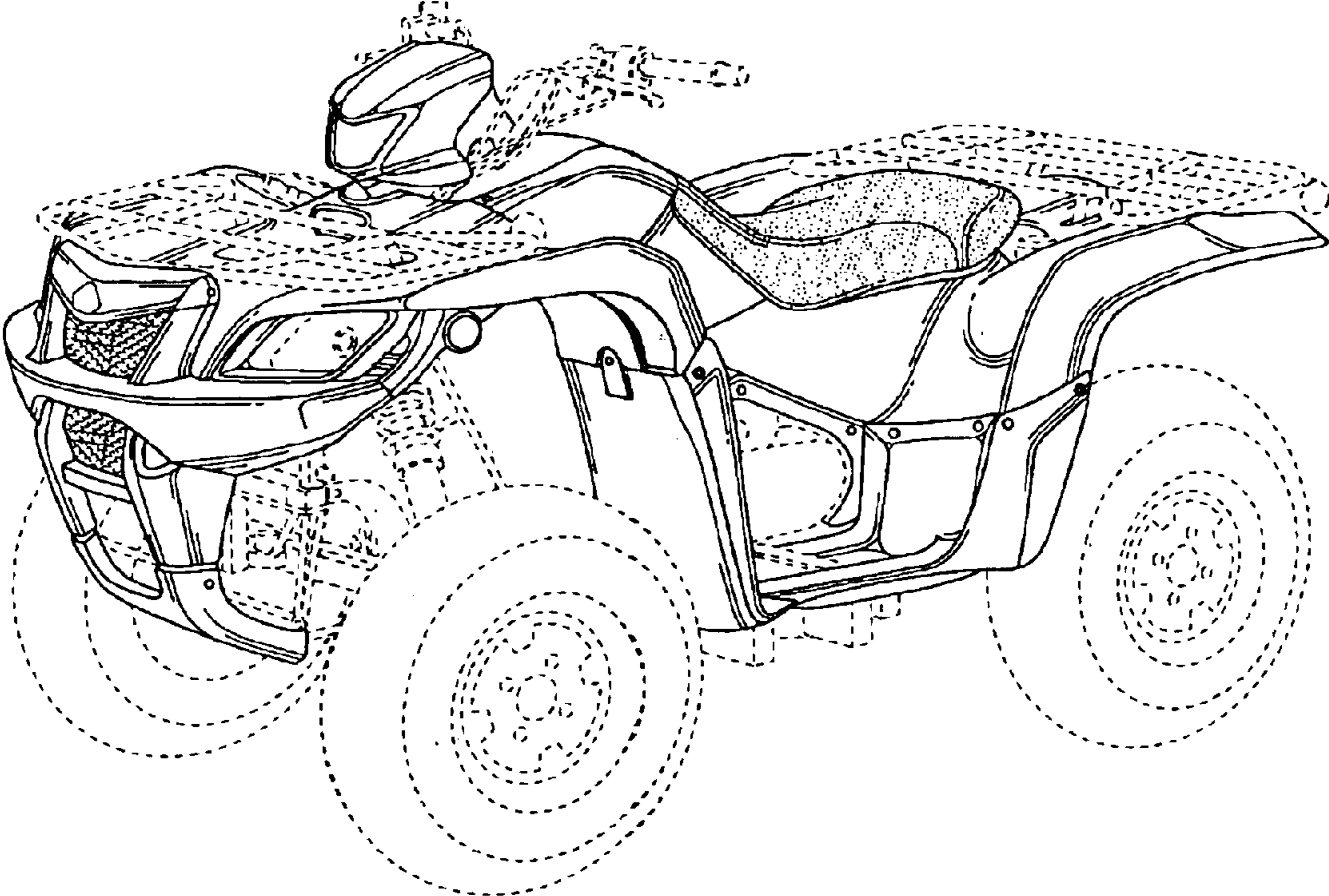


Fig. 2

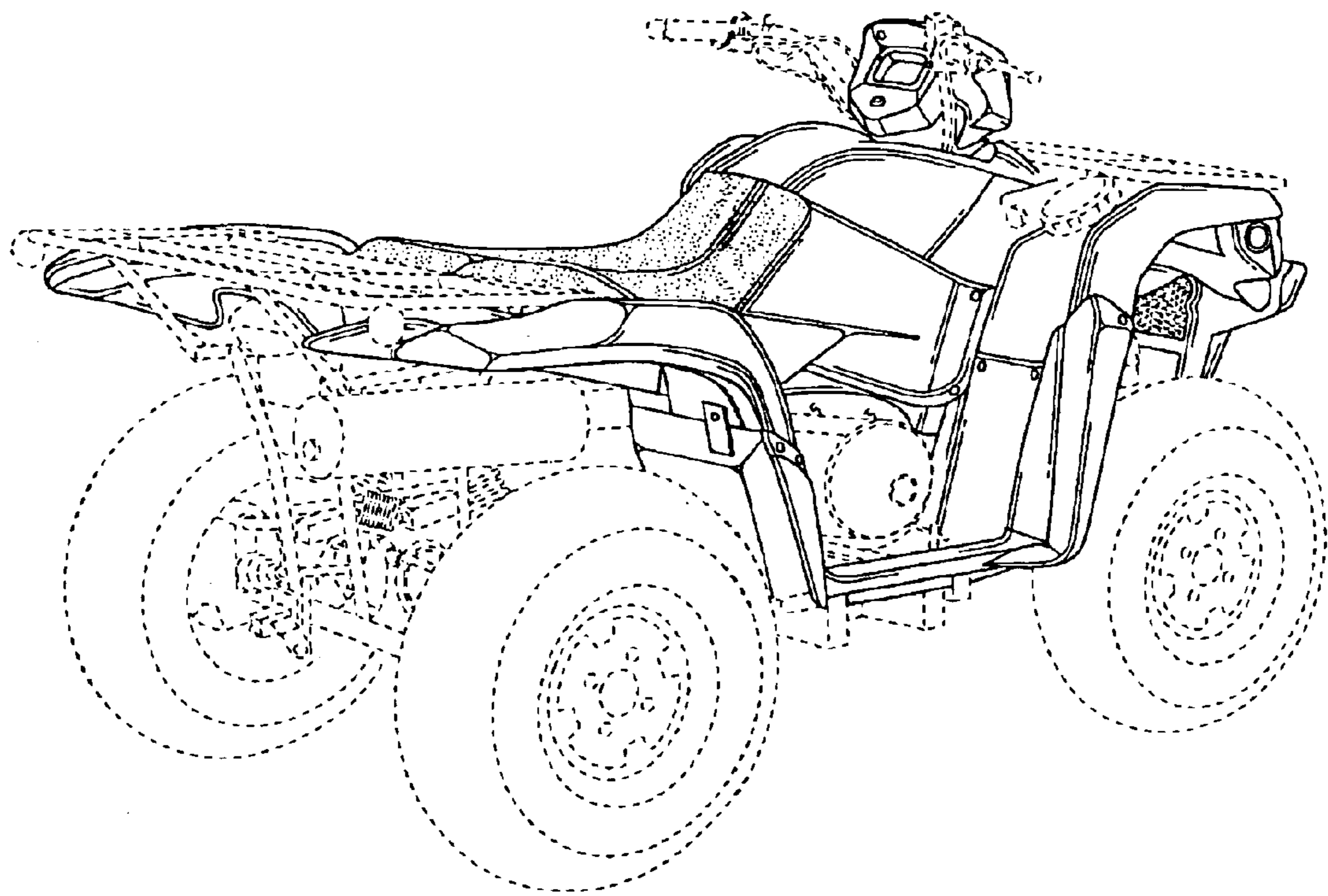


Fig. 3

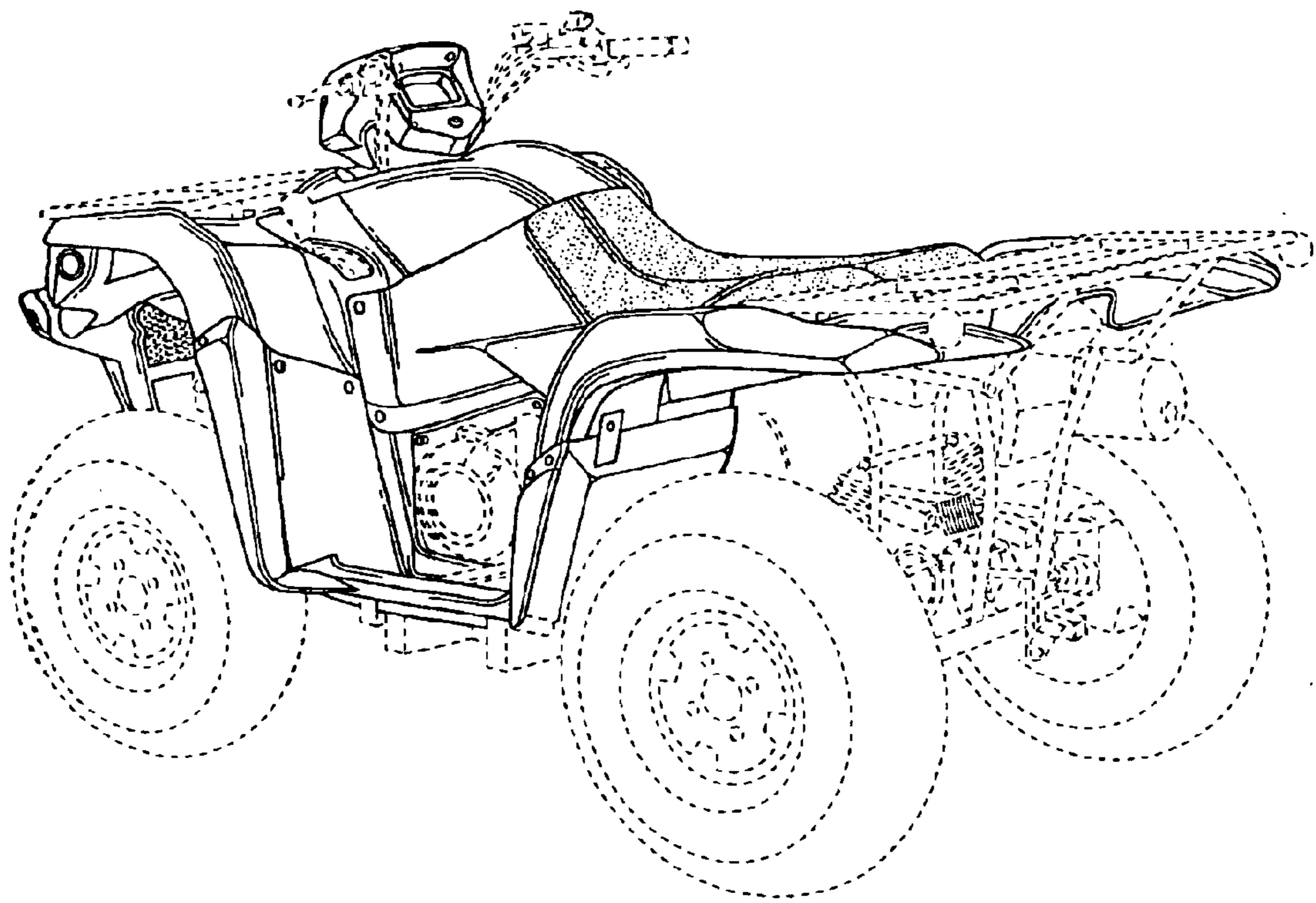


Fig. 4

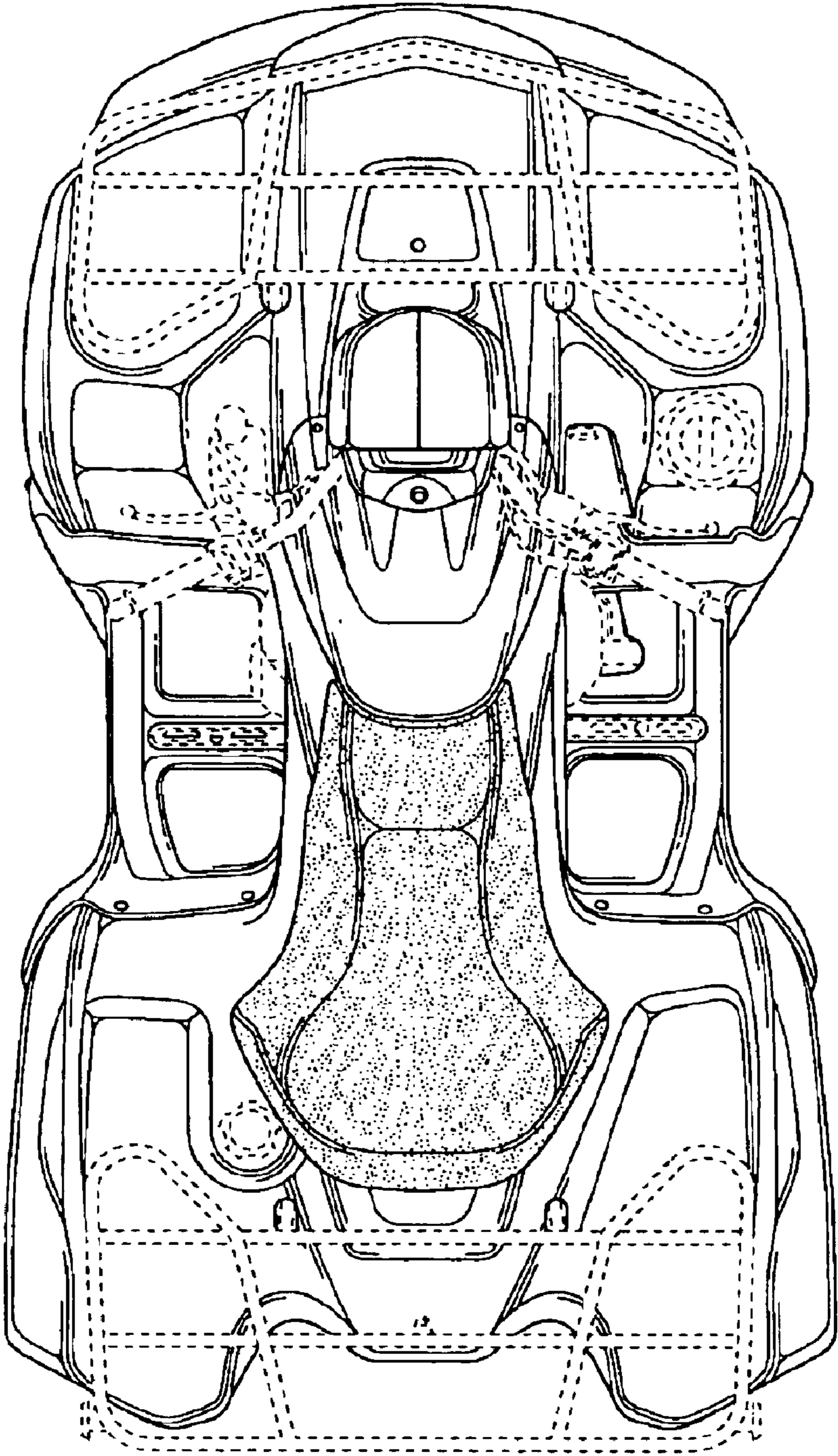


Fig. 5

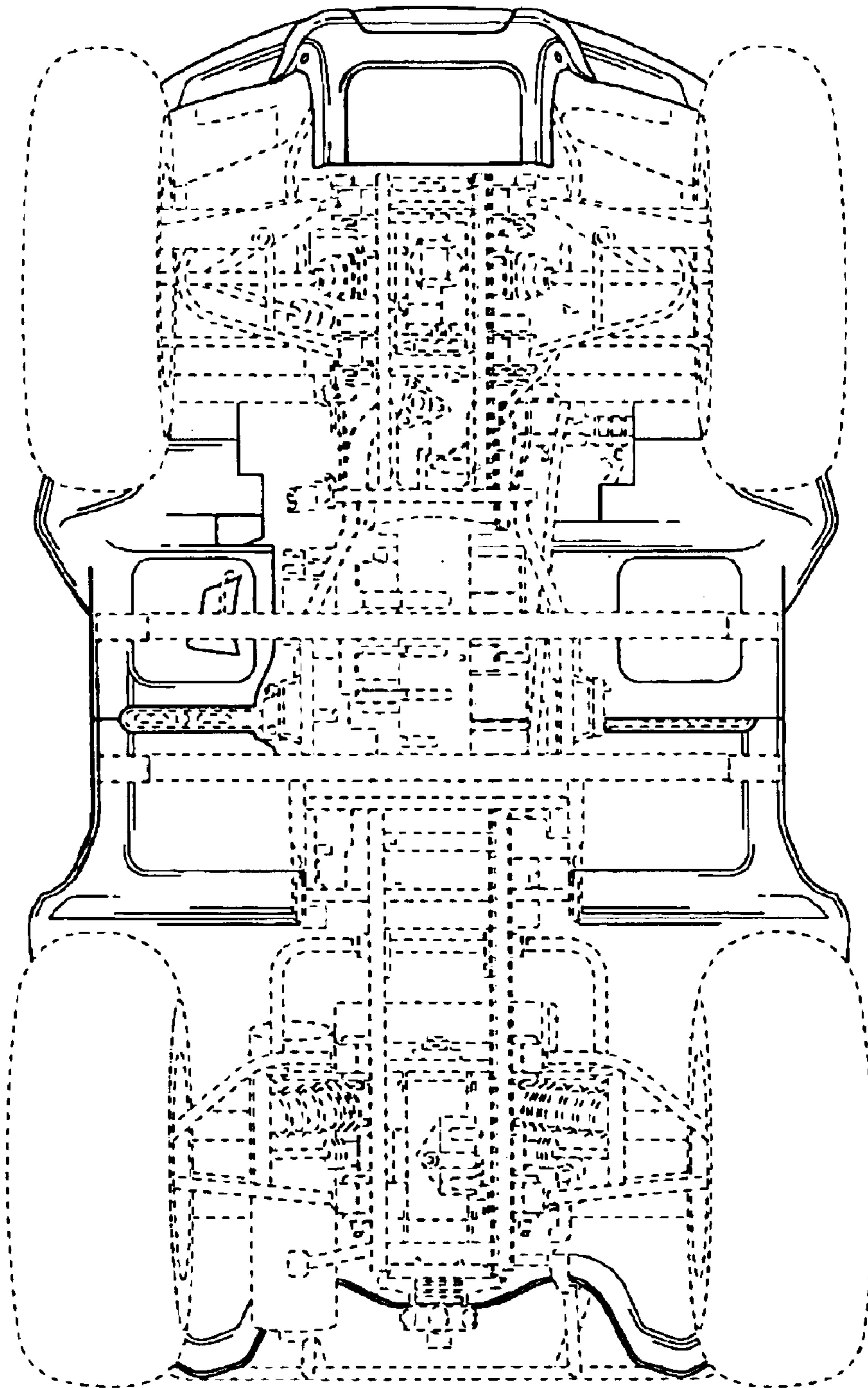


Fig. 6

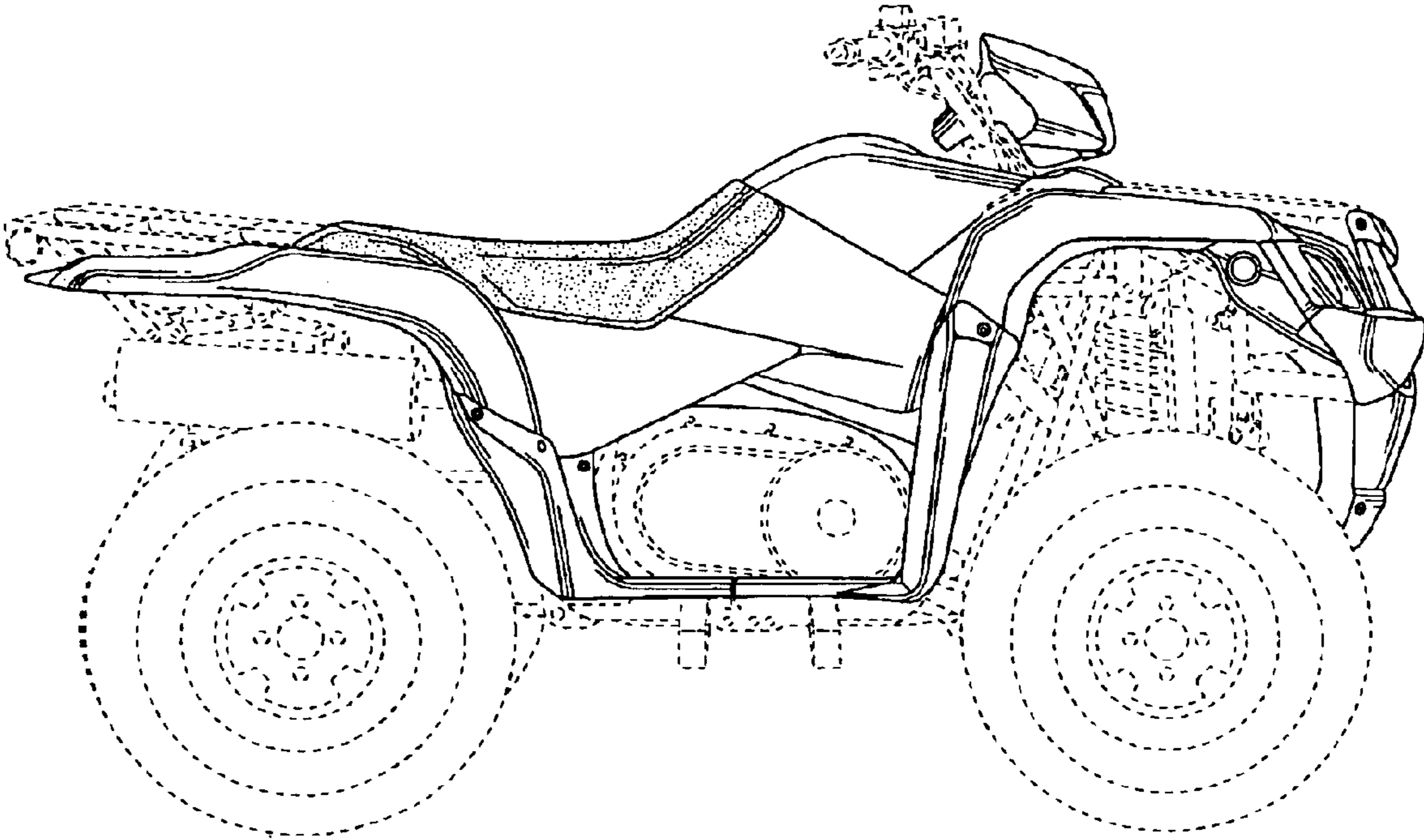


Fig. 7



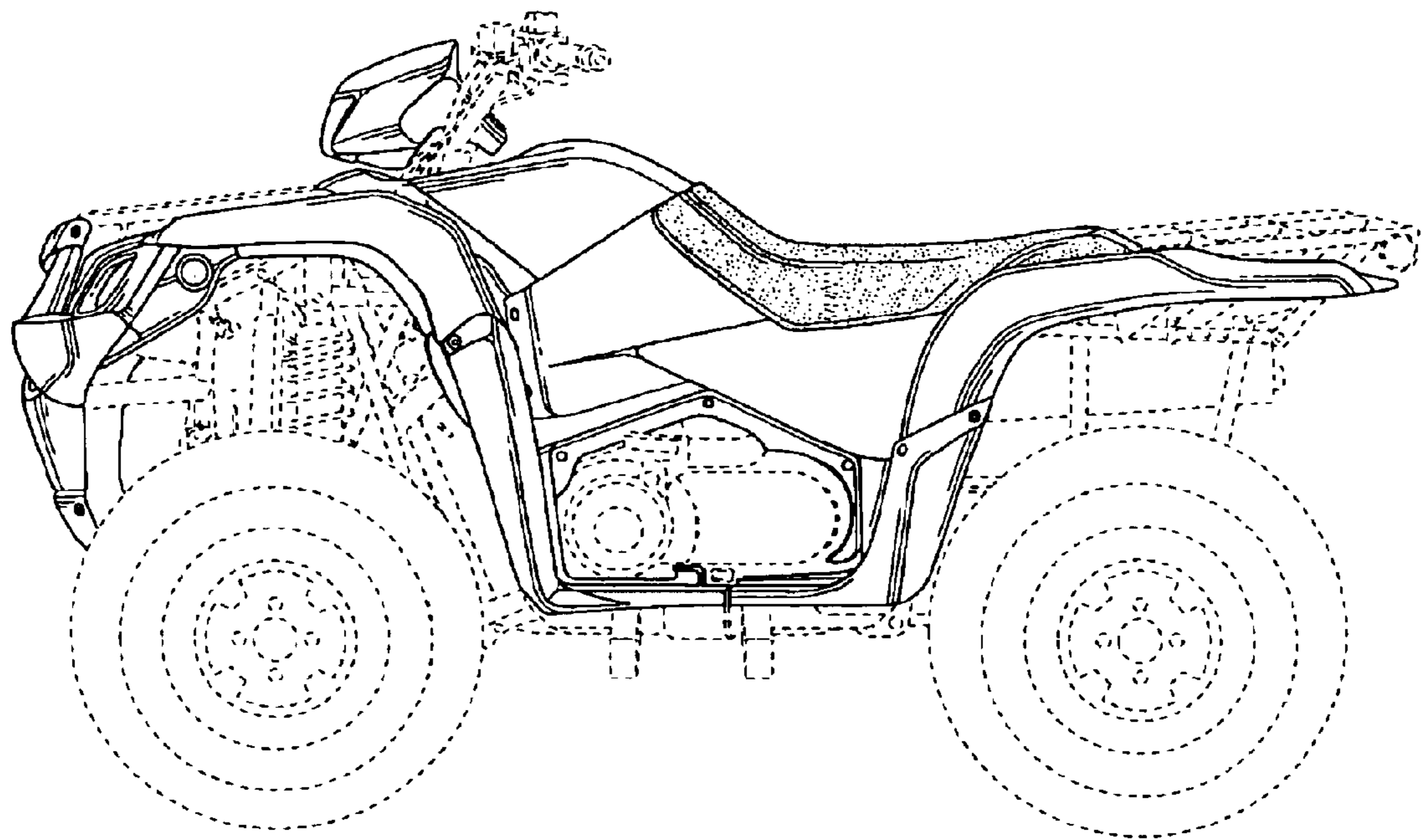


Fig. 8

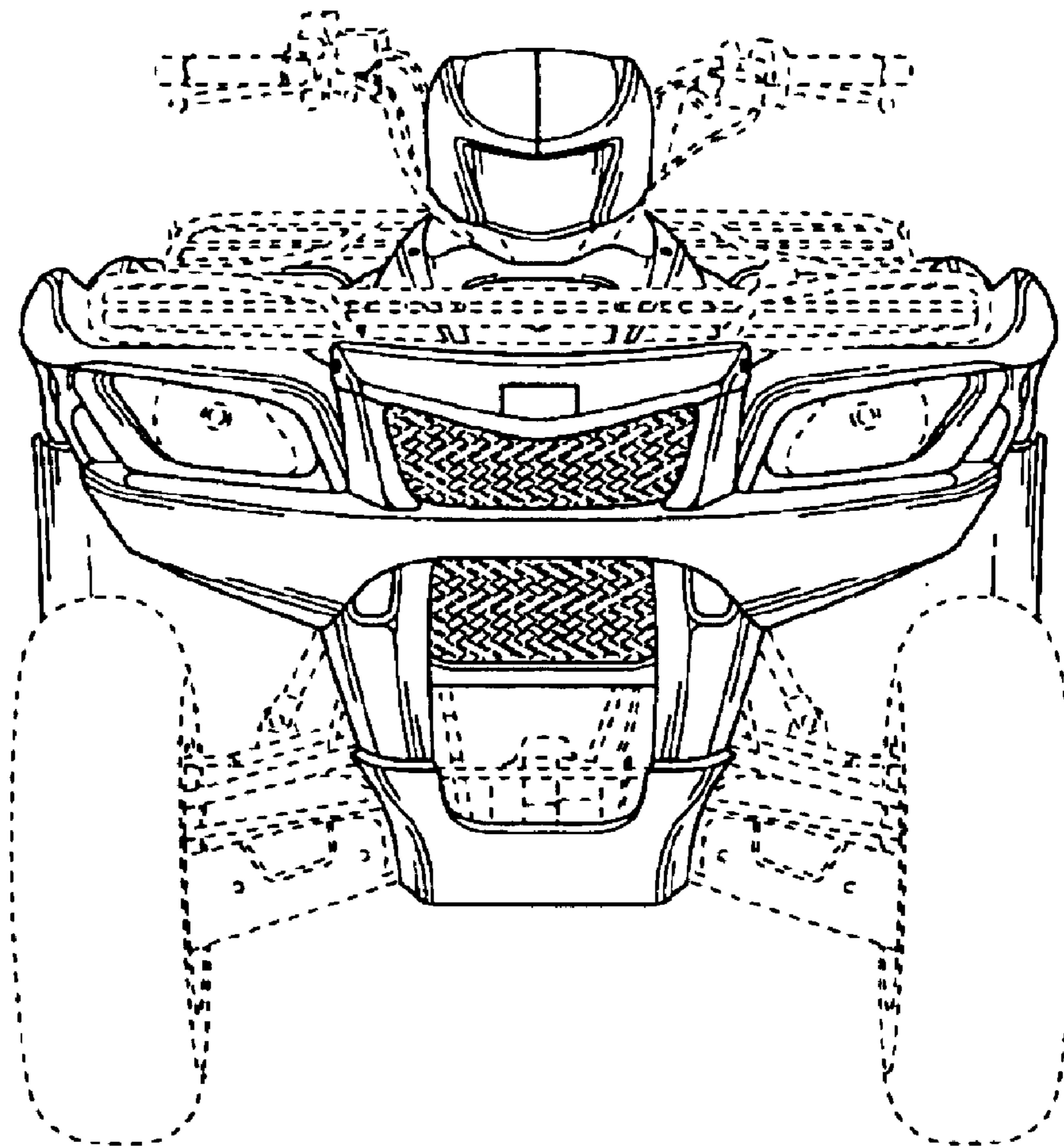


Fig. 9

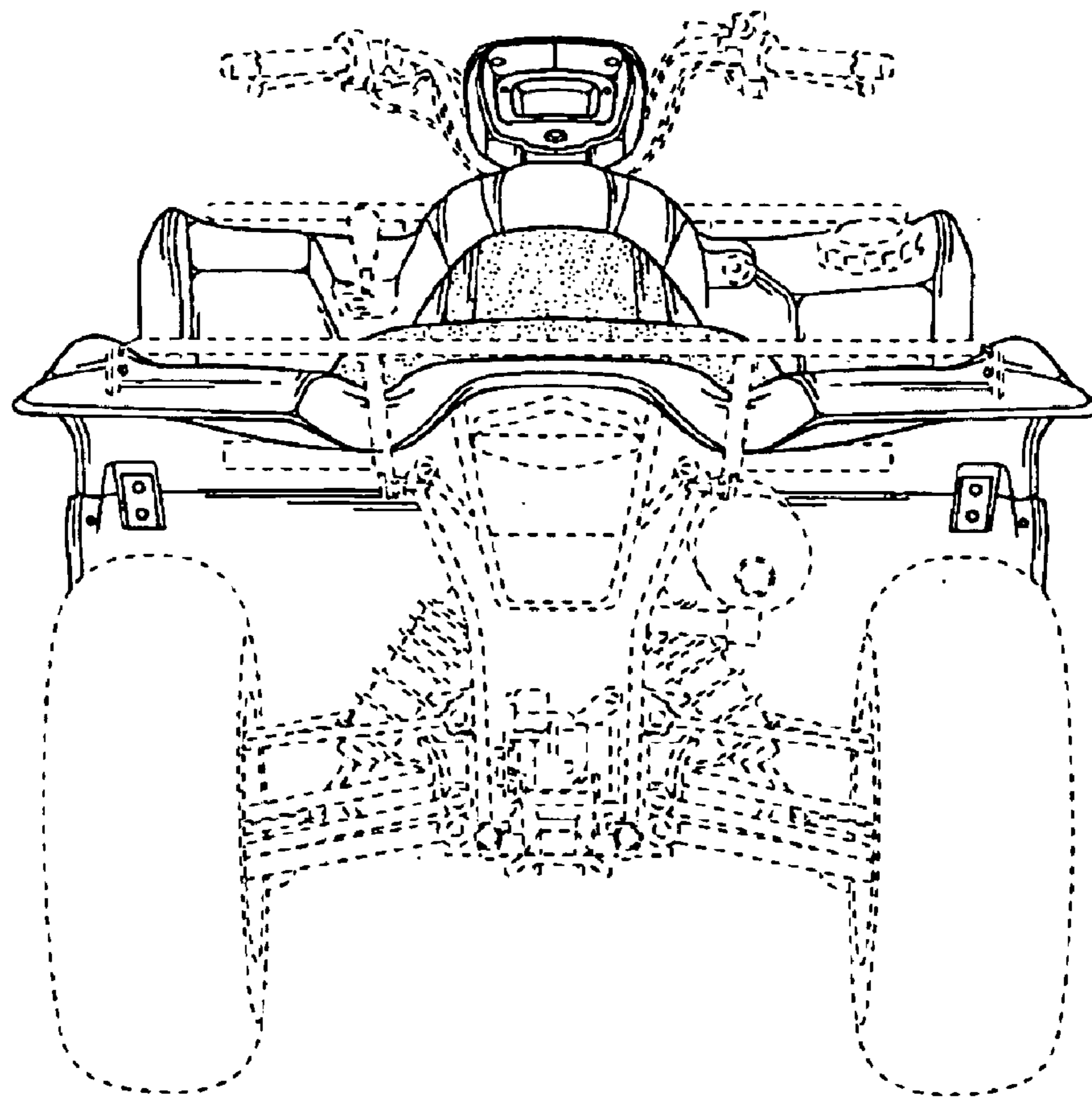


Fig. 10