

US00D505361S

(12) **United States Design Patent**
Arkebauer

(10) **Patent No.:** **US D505,361 S**

(45) **Date of Patent:** **** May 24, 2005**

(54) **MOTORCYCLE TRAILER**

(76) **Inventor:** **David L. Arkebauer**, R.R. 1, Herrick,
IL (US) 62553

(**) **Term:** **14 Years**

(21) **Appl. No.:** **29/199,489**

(22) **Filed:** **Feb. 14, 2004**

(51) **LOC (7) Cl.** **12-10**

(52) **U.S. Cl.** **D12/102**

(58) **Field of Search** D12/102, 101;
280/475, 656, 763.1, 482; 296/181, 190

(56) **References Cited**

U.S. PATENT DOCUMENTS

D265,301 S	*	7/1982	Zander	D12/102
D313,955 S	*	1/1991	van der Merwe et al.	.	D12/102
D378,583 S	*	3/1997	Aitken, III	D12/102
D422,243 S	*	4/2000	Keirstead	D12/102
D443,561 S	*	6/2001	Voogt	D12/102

D486,096 S	*	2/2004	Messmer	D12/102
D486,759 S	*	2/2004	Armstrong	D12/102
D495,276 S	*	8/2004	Armstrong	D12/102

* cited by examiner

Primary Examiner—Melody N. Brown
(74) *Attorney, Agent, or Firm*—Philip L. Bateman

(57) **CLAIM**

The ornamental design for a motorcycle trailer, as shown and described.

DESCRIPTION

FIG. 1 is a left side and rear perspective view of a motorcycle trailer showing my new design;
FIG. 2 is a right side elevation view thereof;
FIG. 3 is a front elevation view thereof;
FIG. 4 is a top plan view thereof; and,
FIG. 5 is a rear elevation view thereof.

1 Claim, 3 Drawing Sheets

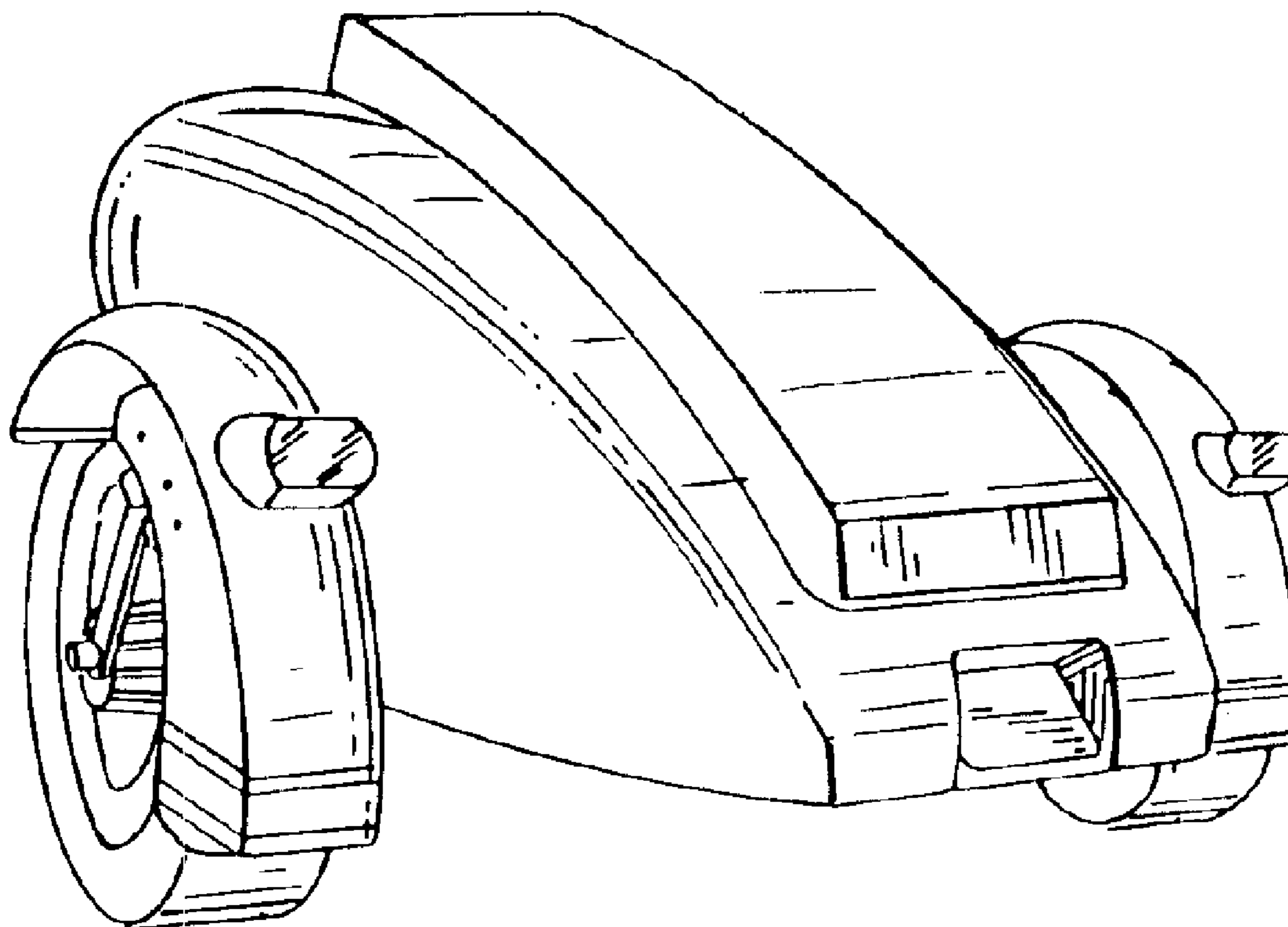


FIG. 1

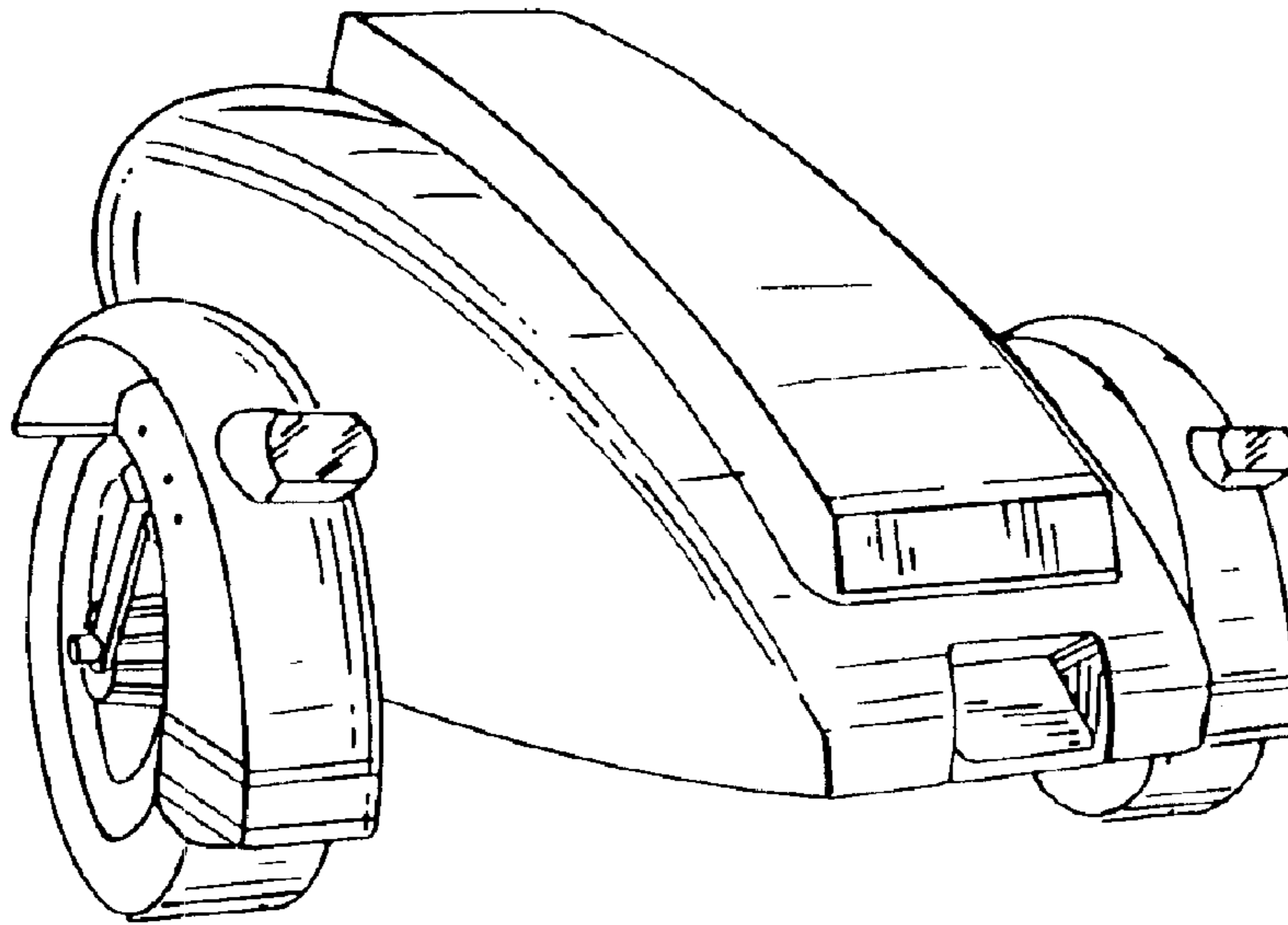


FIG. 2

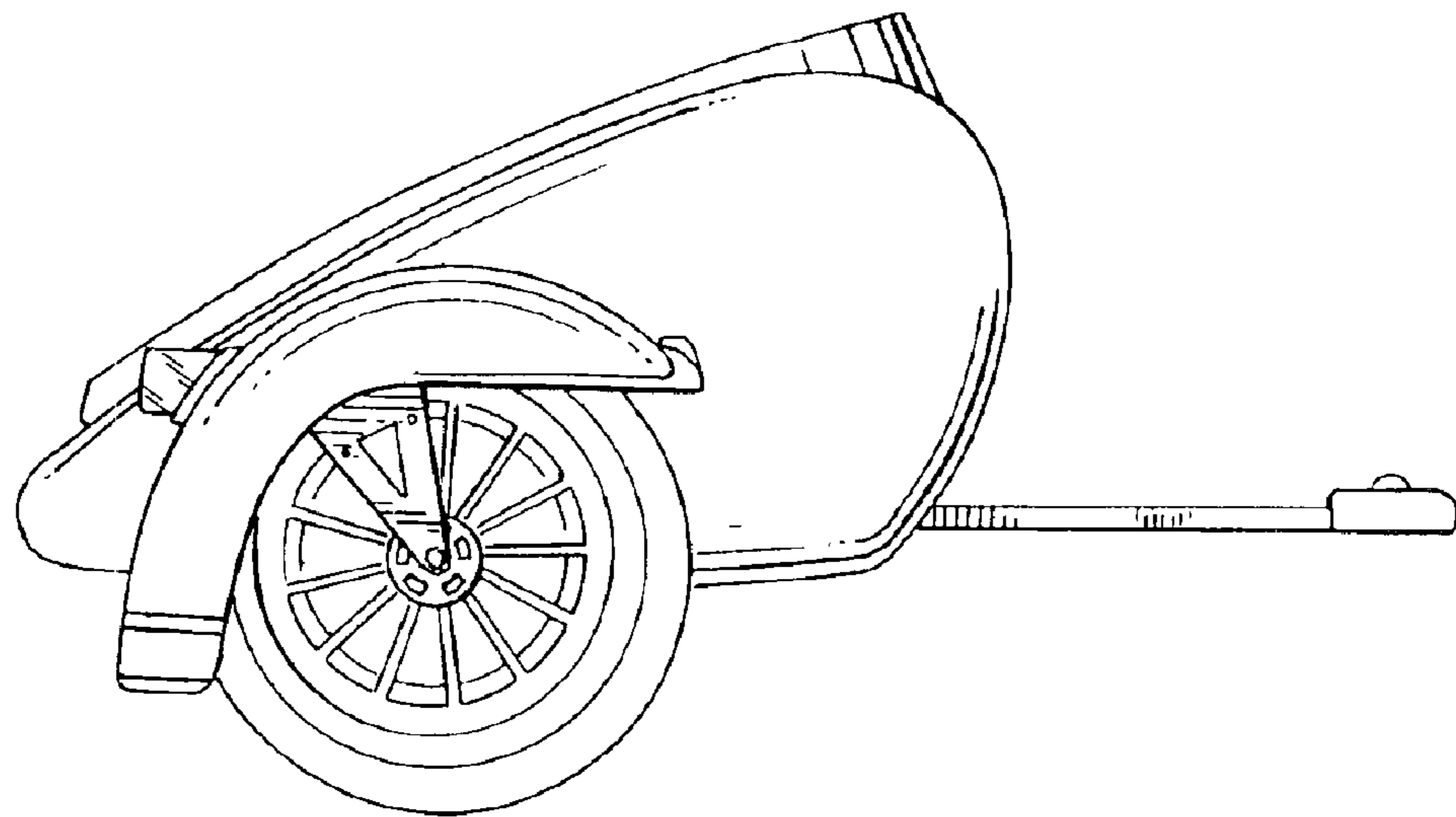


FIG. 3

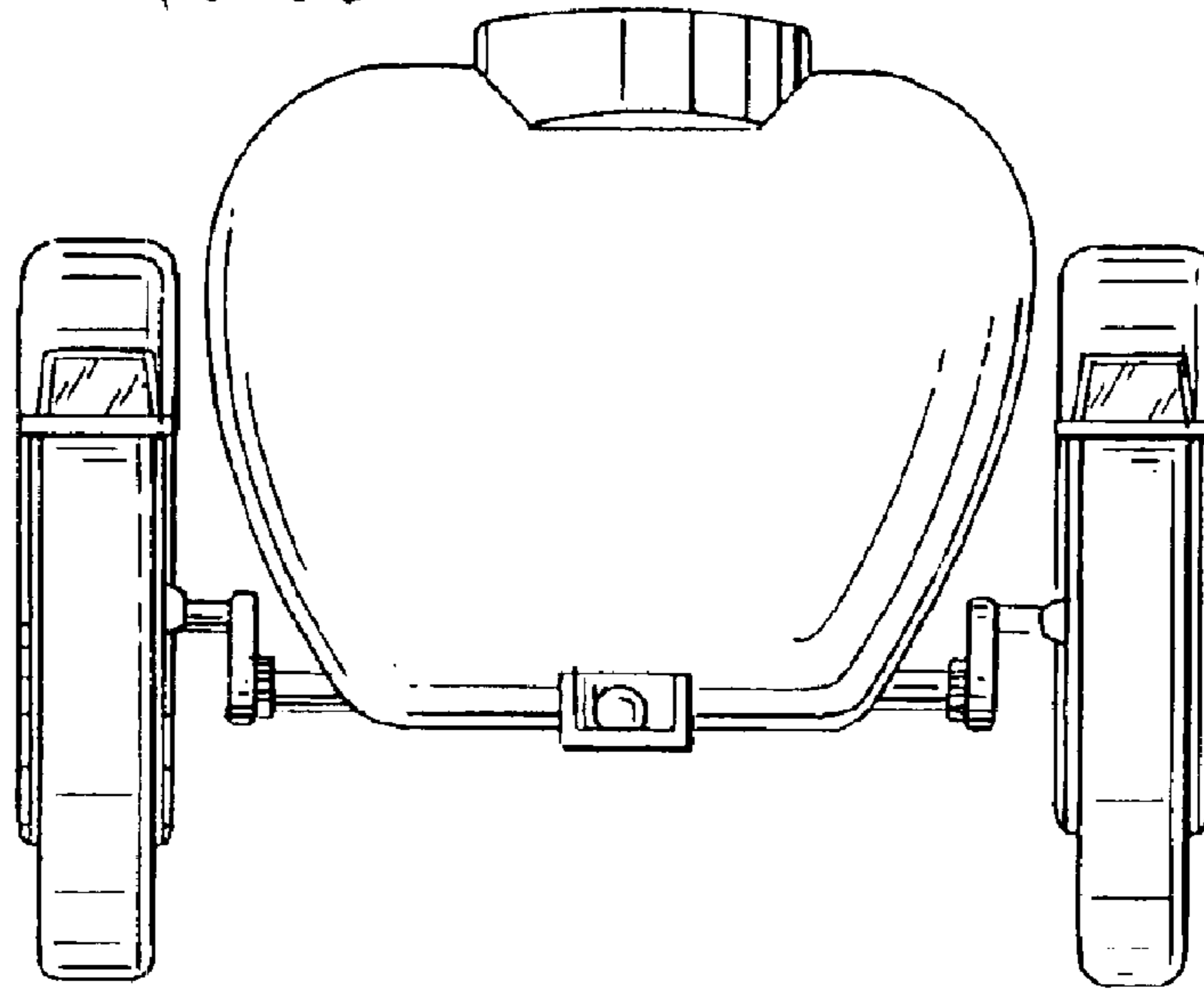


FIG. 4

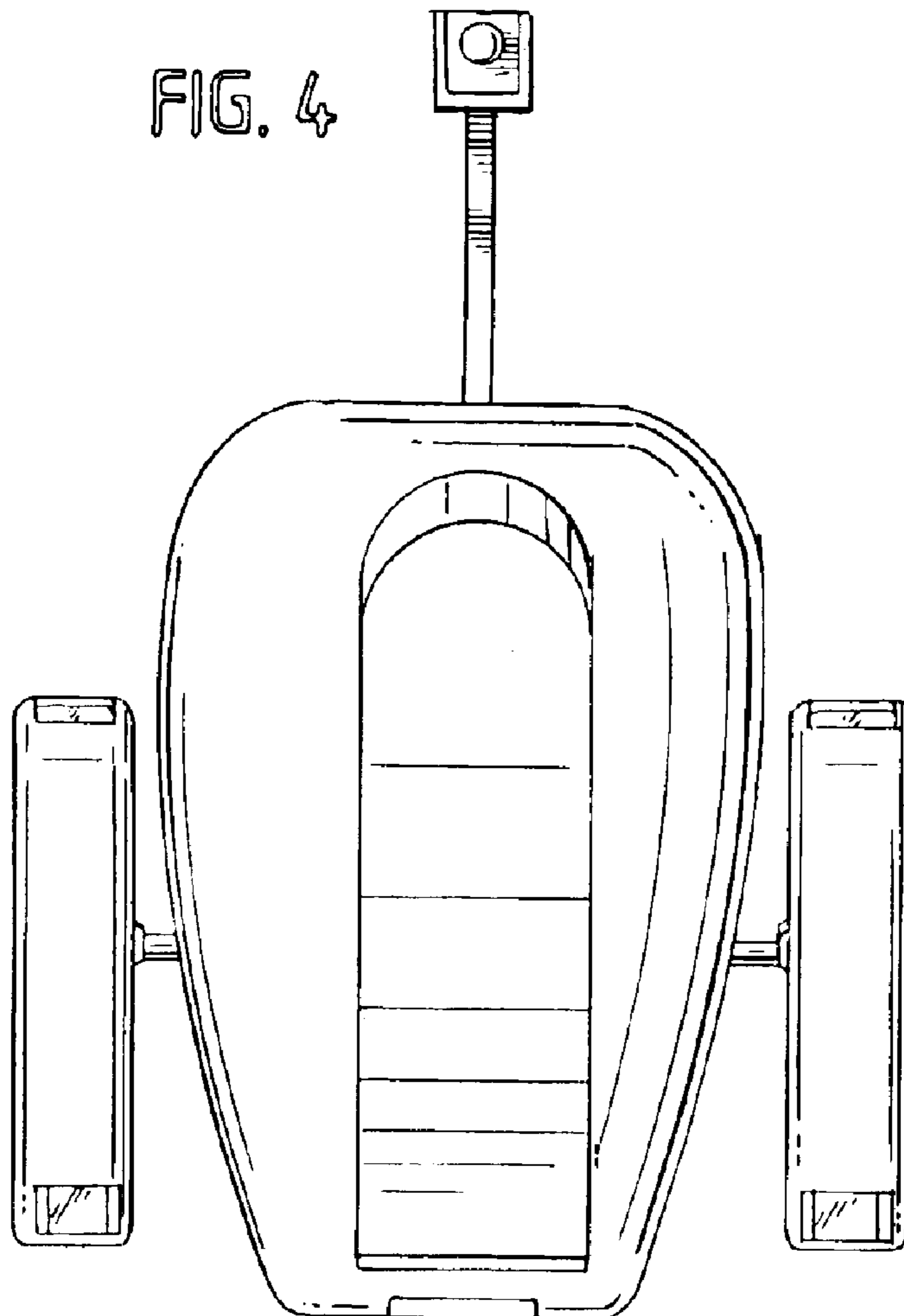


FIG. 5

