

US00D505357S

(12) **United States Design Patent**  
**Shumaker**

(10) **Patent No.:** **US D505,357 S**

(45) **Date of Patent:** **\*\* May 24, 2005**

(54) **JEWELRY SETTING**

5,170,643 A 12/1992 Porcell, Jr.  
D394,824 S 6/1998 Itzkowitz

(76) Inventor: **Brian E. Shumaker**, Rt. 5 Box 550,  
Grafton, WV (US) 26354

\* cited by examiner

(\*\*) Term: **14 Years**

*Primary Examiner*—Catherine R. Oliver

*Assistant Examiner*—John Windmuller

(74) *Attorney, Agent, or Firm*—Richard C. Litman

(21) Appl. No.: **29/201,788**

(57) **CLAIM**

(22) Filed: **Mar. 22, 2004**

The ornamental design for a jewelry setting, as shown and described.

(51) **LOC (7) Cl.** ..... **11-01**

(52) **U.S. Cl.** ..... **D11/91; D11/92**

(58) **Field of Search** ..... D11/1, 2, 6-12,  
D11/26-28, 34-43, 47, 75, 79, 91-93; 63/1.11-14.1,  
20, 22, 23, 26-33

**DESCRIPTION**

FIG. 1 is a front view of a jewelry setting showing my new design;

FIG. 2 is an environmental right side elevational view with the left side being a mirror image thereof; and,

FIG. 3 is a perspective view of thereof.

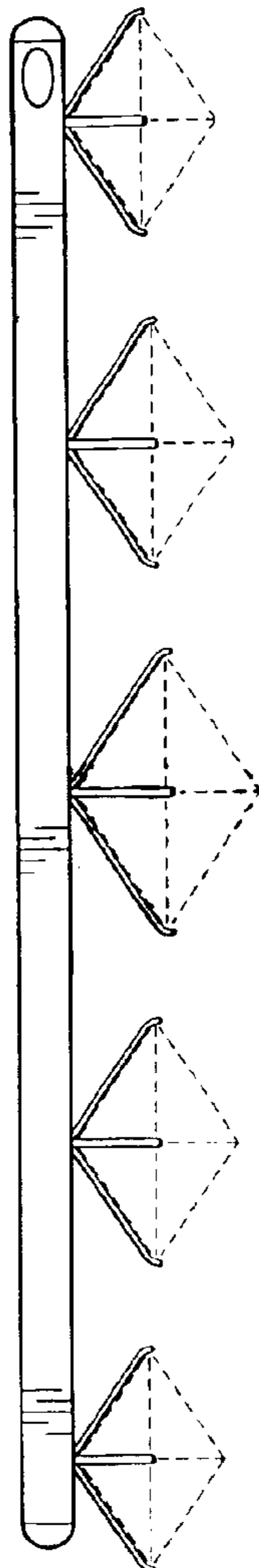
The broken line showing of the diamonds in FIG. 2 and the chain in FIG. 1 are for illustrative purposes only and form no part of the claimed design.

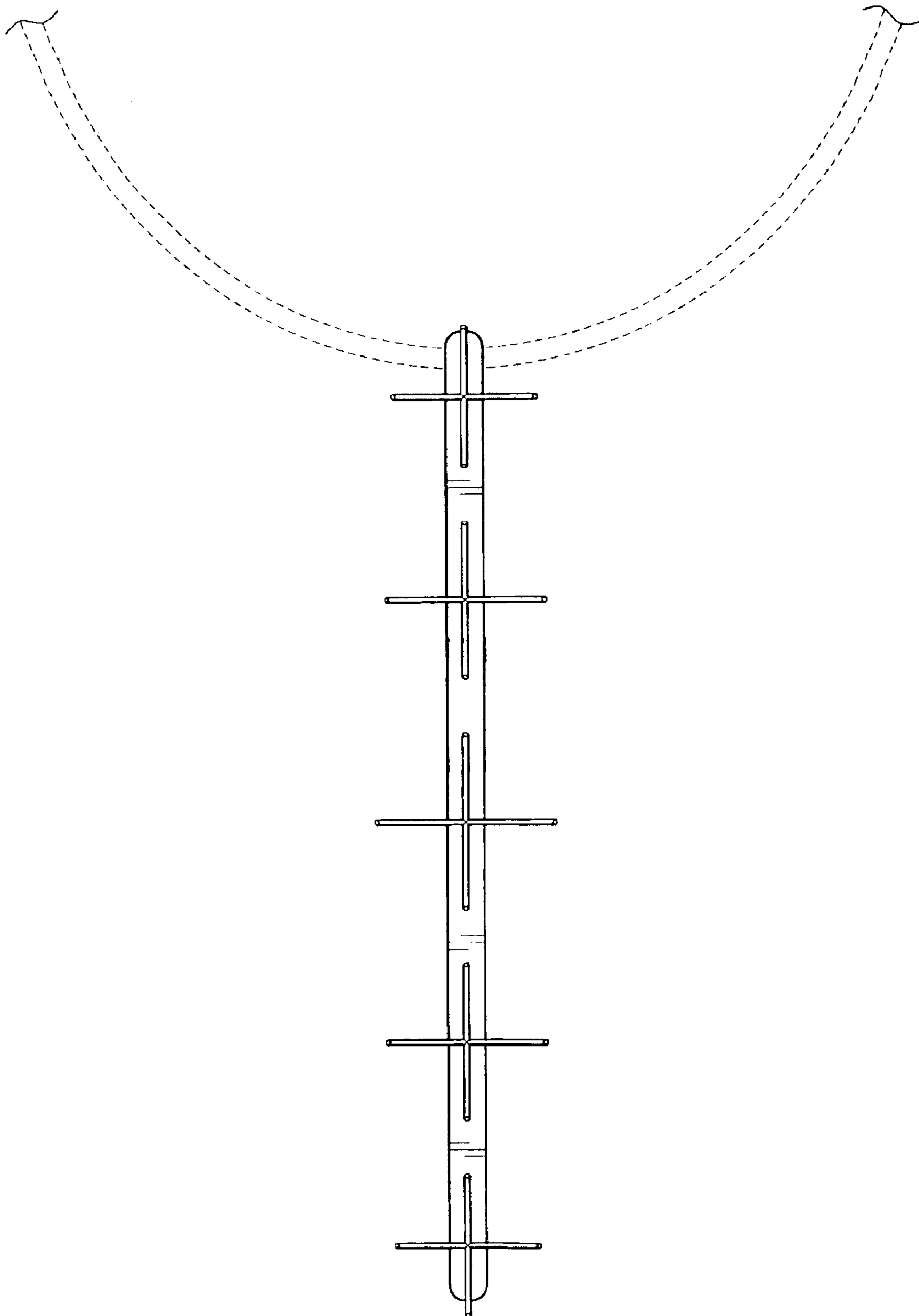
(56) **References Cited**

**U.S. PATENT DOCUMENTS**

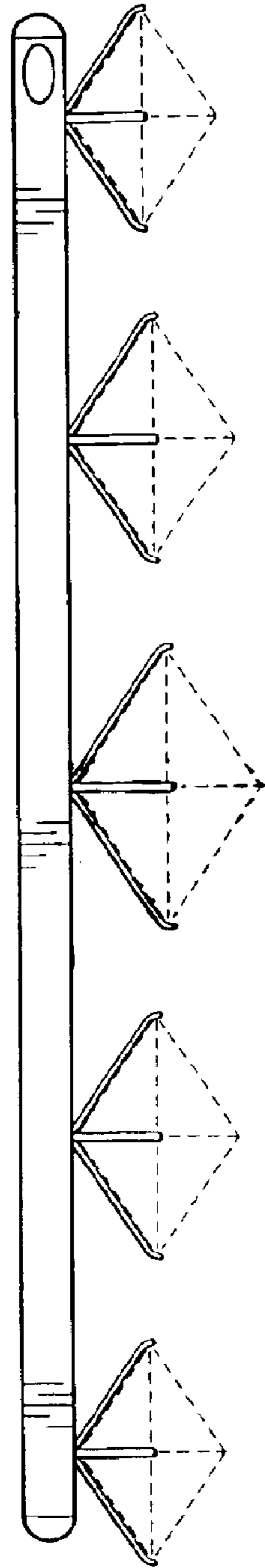
424,749 A *	4/1890	Zirnilton	.....	63/4
755,954 A *	3/1904	Guild	.....	315/178
D42,252 S *	3/1912	Fishel	.....	D11/90
2,883,048 A *	4/1959	Lentz	.....	206/562

**1 Claim, 3 Drawing Sheets**

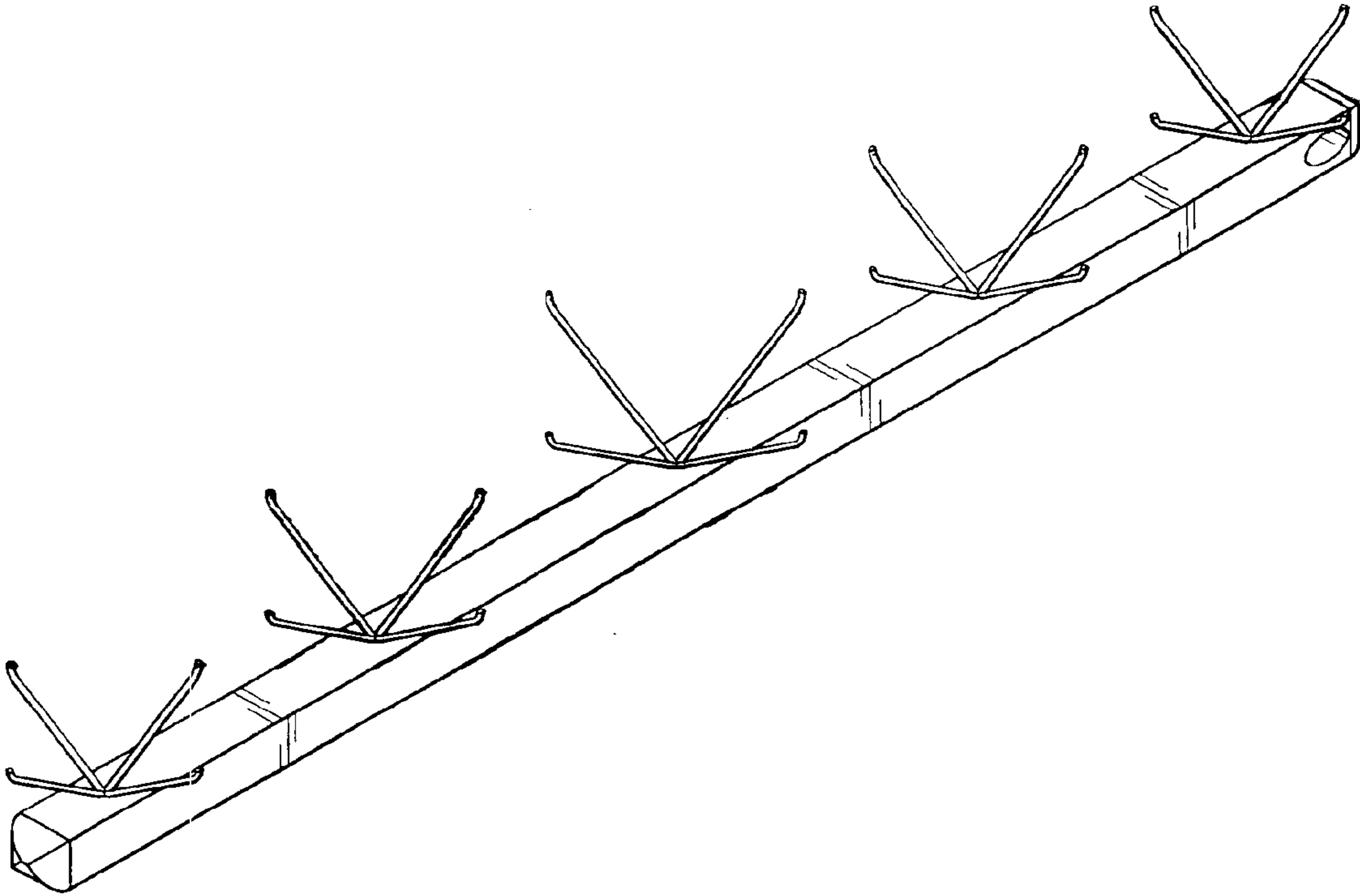




*Fig. 1*



*Fig. 2*



*Fig. 3*