

US00D505355S

(12) **United States Design Patent**
Elnkaveh

(10) **Patent No.:** **US D505,355 S**

(45) **Date of Patent:** **** May 24, 2005**

(54) **COMBINED CARD AND MONEY HOLDER**

Primary Examiner—Ralf Seifert

(74) *Attorney, Agent, or Firm*—Roger A. Marrs

(76) **Inventor:** **Alex Elnkaveh**, 16713 Roscoe Blvd.,
North Hills, CA (US) 91343

(57) **CLAIM**

(**) **Term:** **14 Years**

The ornamental design for a combined card and money holder, substantially as shown and described.

(21) **Appl. No.:** **29/188,340**

(22) **Filed:** **Aug. 18, 2003**

DESCRIPTION

(51) **LOC (7) Cl.** **11-01**

FIG. 1 is a front perspective view of combined card and money holder showing my new design;

(52) **U.S. Cl.** **D11/78.1**

FIG. 2 is a rear perspective view thereof;

(58) **Field of Search** D11/78.1; D3/215,

FIG. 3 is a top plan view thereof;

D3/247; 40/630, 633; D19/26; 224/222;

FIG. 4 is a front elevational view thereof;

D8/395; 24/60, 485

FIG. 5 is a bottom view thereof;

(56) **References Cited**

FIG. 6 is an end elevational view thereof with the opposite end being a mirror image thereof; and,

U.S. PATENT DOCUMENTS

FIG. 7 is a rear elevational view thereof.

1,737,230 A * 11/1929 Gattle 24/489

It being understood that the broken lines are for illustrative purposes only and form no part of the claimed design.

D164,685 S * 10/1951 Haltom D11/78.1

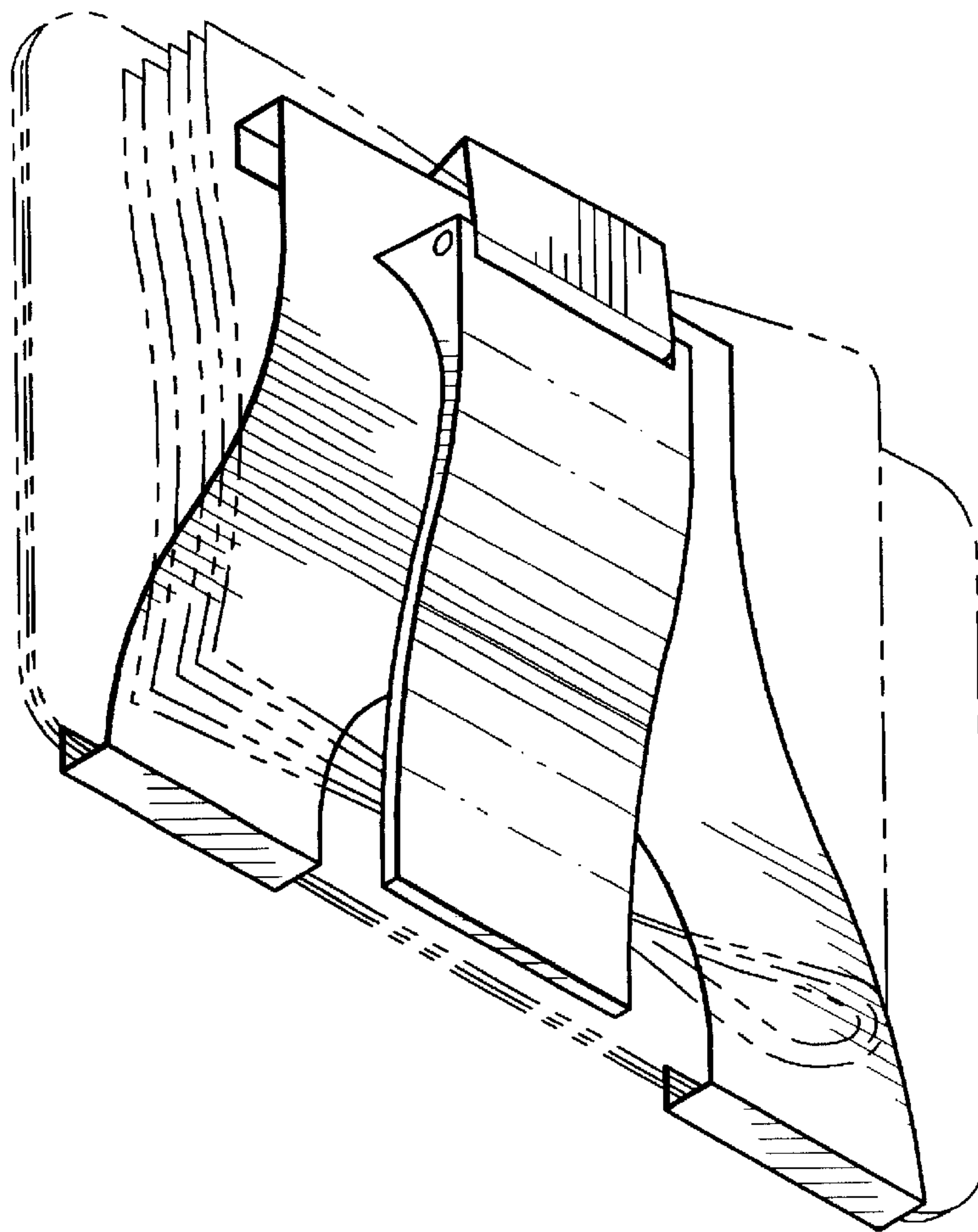
D172,925 S * 8/1954 Grant D11/78.1

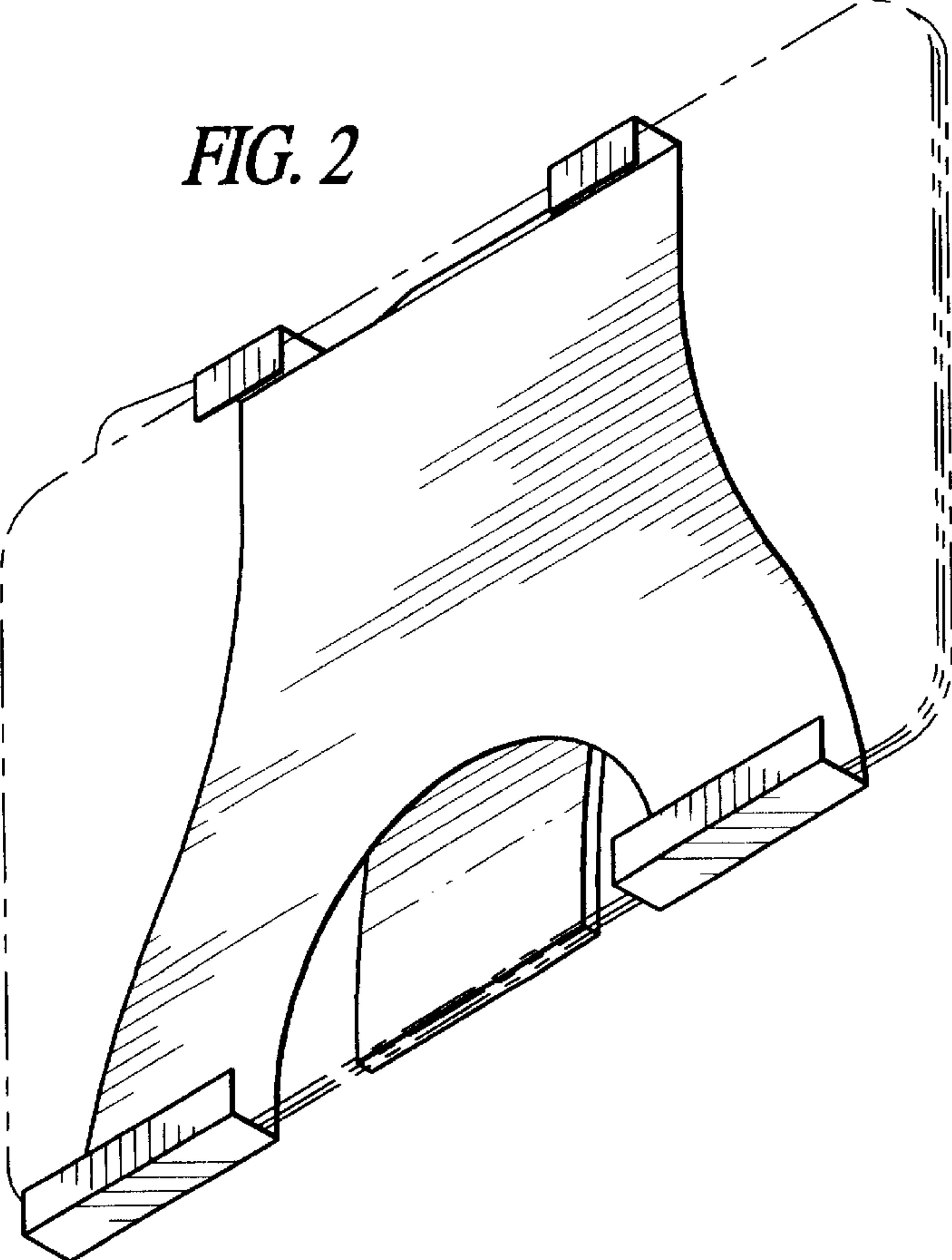
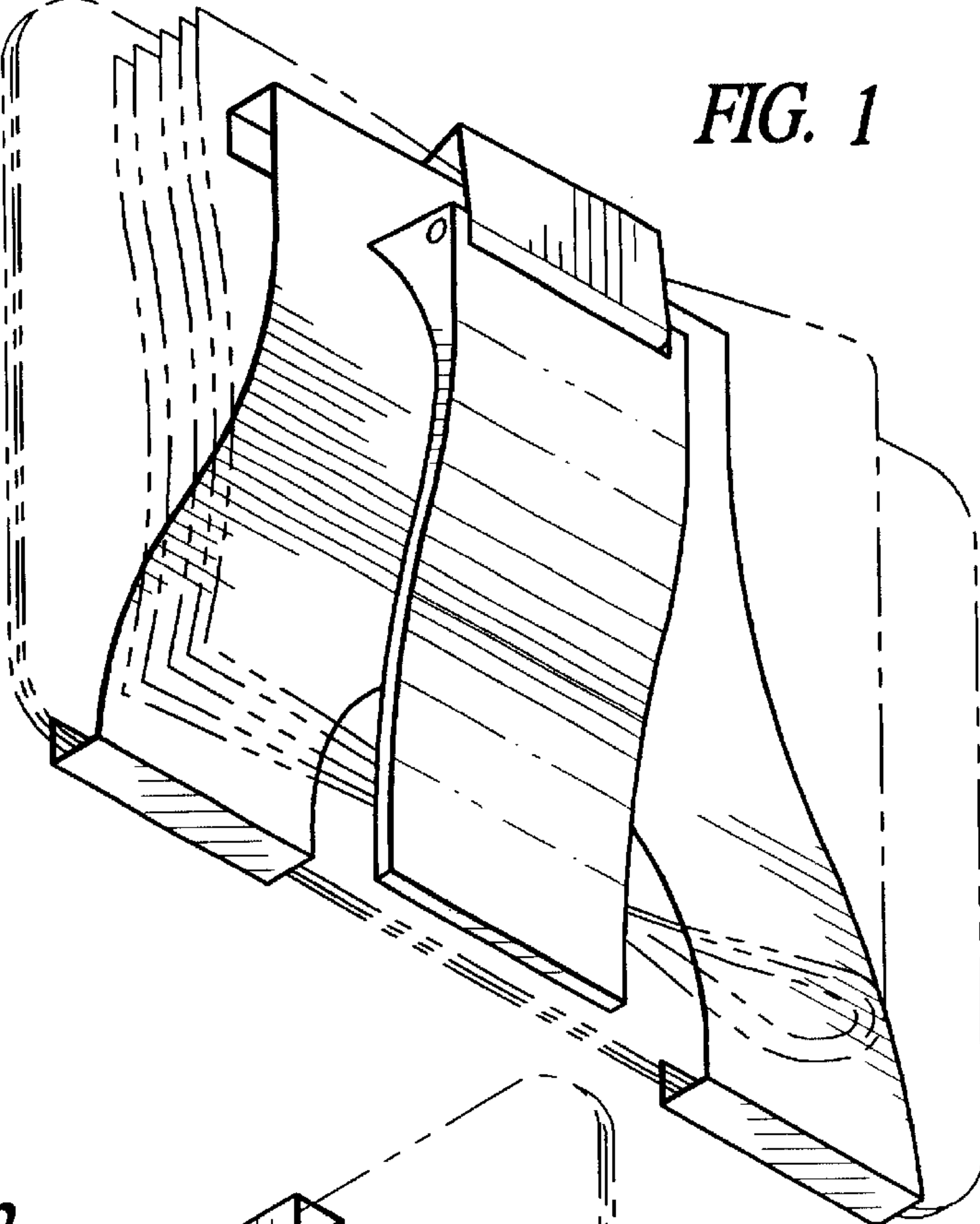
3,793,681 A * 2/1974 Casstevens et al. 24/60

D330,688 S * 11/1992 Haines D11/202

* cited by examiner

1 Claim, 2 Drawing Sheets





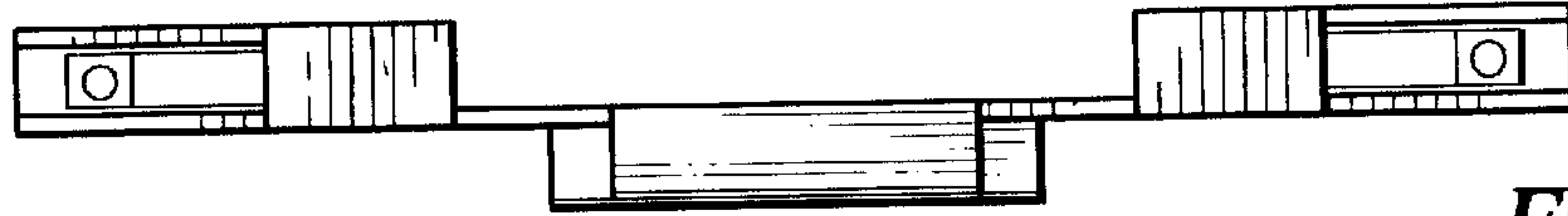


FIG. 3

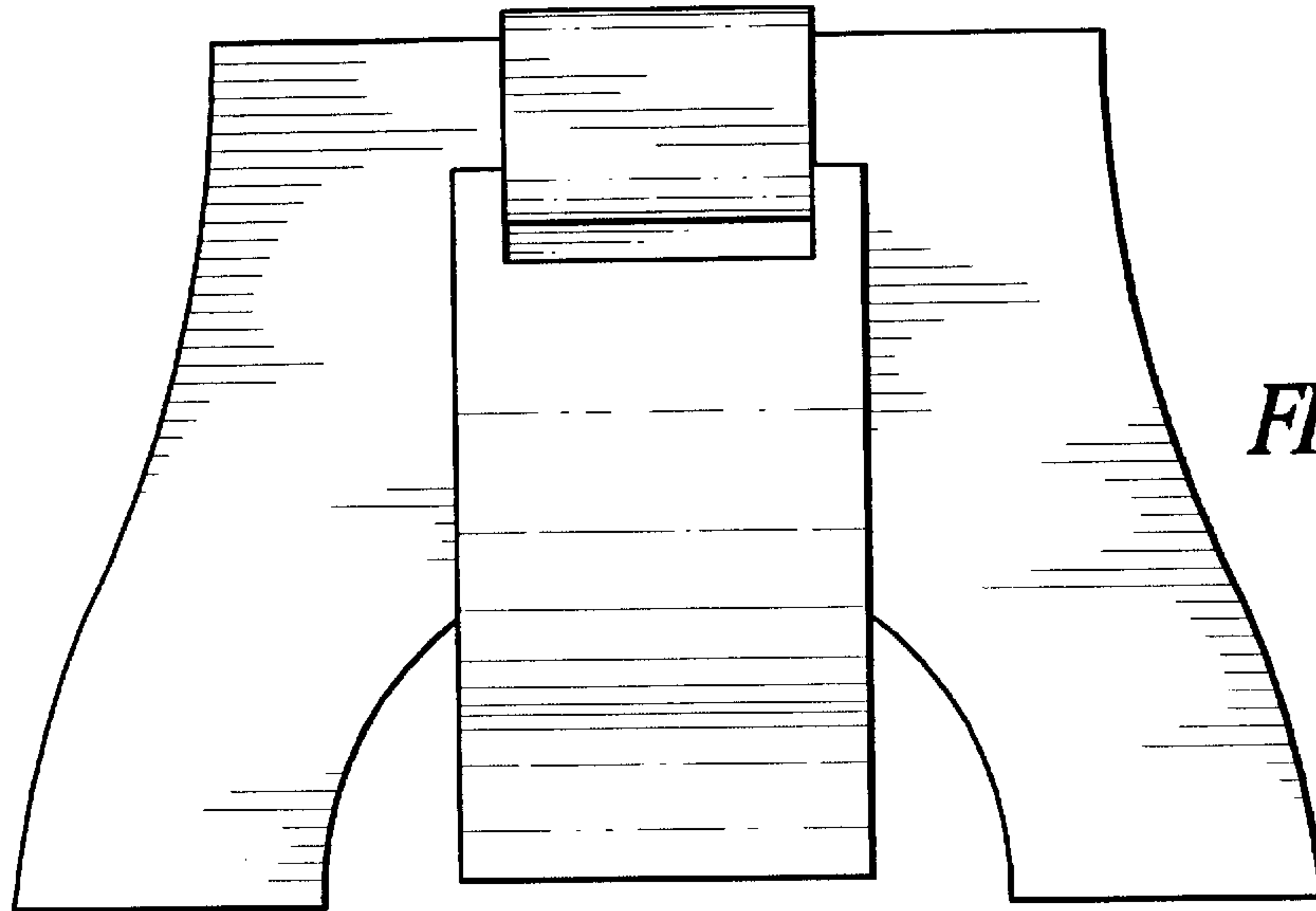


FIG. 4



FIG. 5

FIG. 7

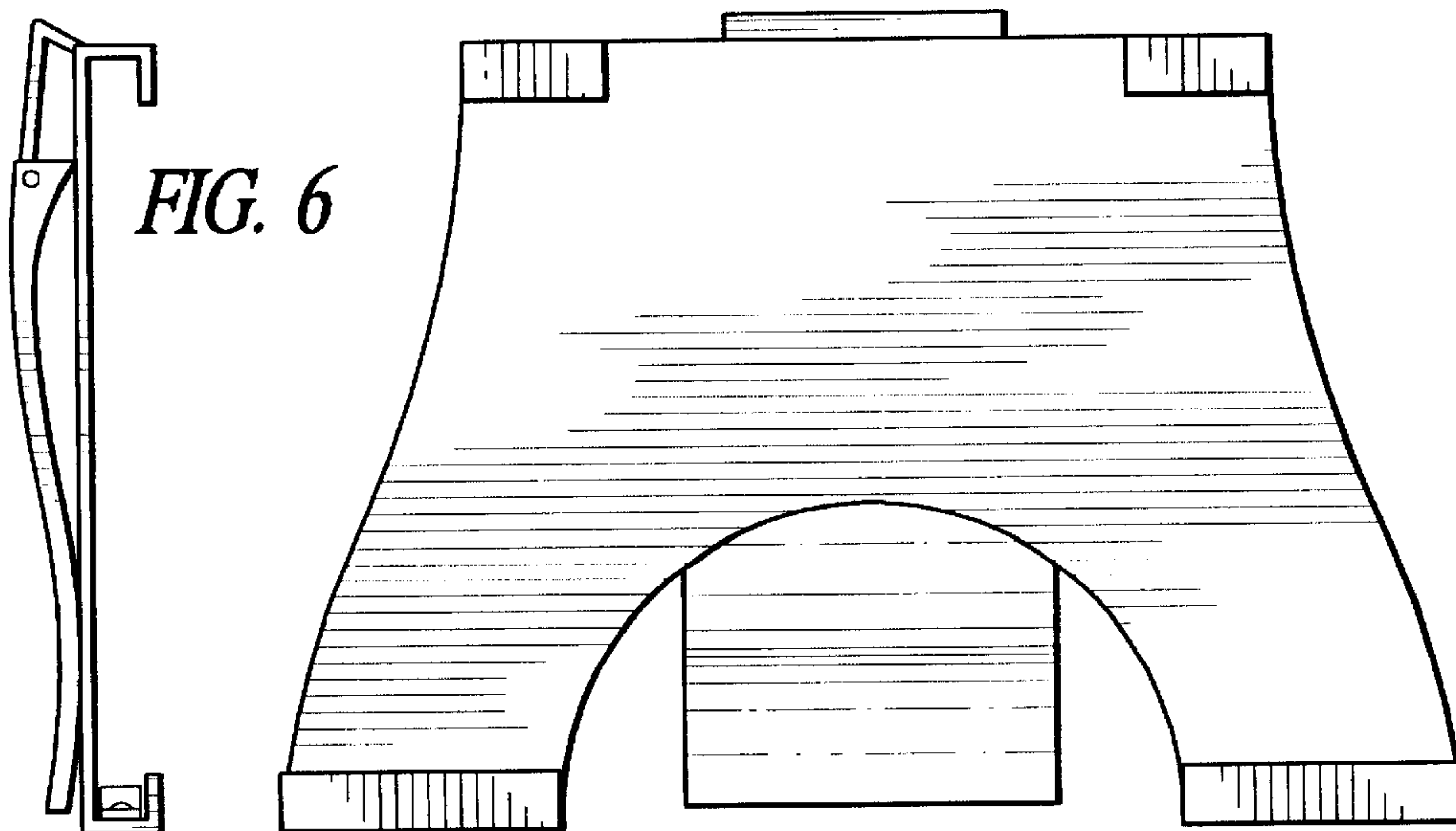


FIG. 6