

US00D505344S

(12) **United States Design Patent**  
**Roher et al.**

(10) **Patent No.: US D505,344 S**

(45) **Date of Patent: \*\* May 24, 2005**

(54) **CONTROL DEVICE**

(75) Inventors: **Michael Allen Roher**, Fort Wayne, IN (US); **James Barton Moore**, Avon, IN (US); **Christopher E. Peel**, Noblesville, IN (US); **Mark Alexander Jones**, Evanston, IL (US)

(73) Assignee: **Carrier Corporation**, Farmington, CT (US)

(\*\*) Term: **14 Years**

(21) Appl. No.: **29/197,628**

(22) Filed: **Jan. 17, 2004**

(51) **LOC (7) Cl. .... 10-04**

(52) **U.S. Cl. .... D10/50**

(58) **Field of Search** ..... D10/50; 236/46 R, 236/47, 49.3, 78 R, 94 D, 94, 1 C; 337/345, 392, 398

(56) **References Cited**

**U.S. PATENT DOCUMENTS**

D418,762 S \* 1/2000 Dushane et al. .... D10/49

D435,224 S \* 12/2000 King et al. .... D10/49  
D490,726 S \* 6/2004 Eungprabhanth et al. .... D10/49  
D496,870 S \* 10/2004 Stekelenburg ..... D10/50

\* cited by examiner

*Primary Examiner*—Antoine D. Davis

(57) **CLAIM**

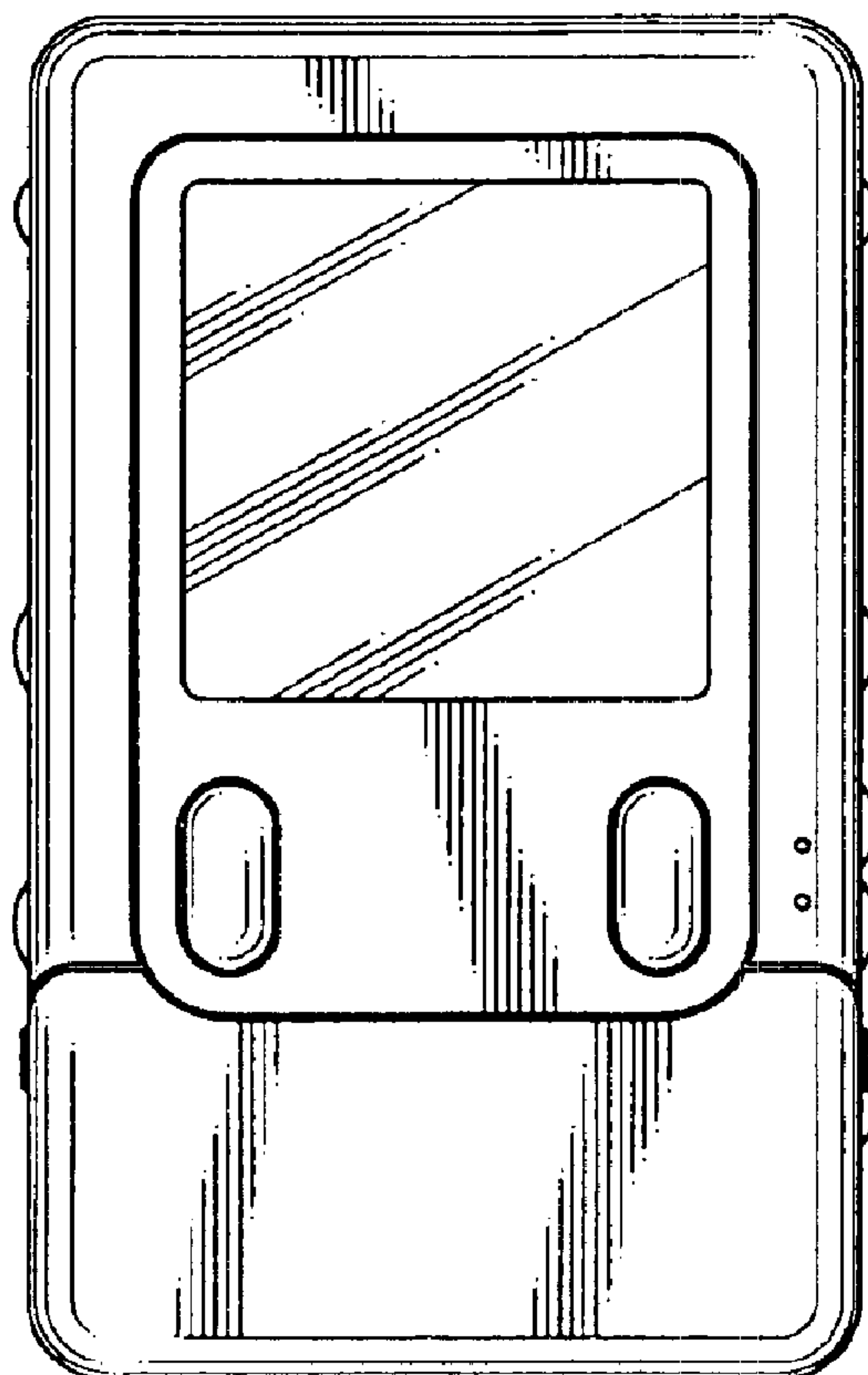
The ornamental design for a control device, as shown and described.

**DESCRIPTION**

The present design is embodied in a control device for use in heating, ventilating and air conditioning systems.

FIG. 1 is a front elevational view of the control device; FIG. 2 is a top elevational view of the control device; FIG. 3 is a bottom elevational view of the control device; FIG. 4 is a left side elevational view of the control device; FIG. 5 is a right side elevational view of the control device; FIG. 6 is a front elevational view of the control device when a front cover is rotated about a hinge to reveal an interior control panel; and, FIG. 7 is a front elevation view of the control device shown in a condition of use.

**1 Claim, 3 Drawing Sheets**



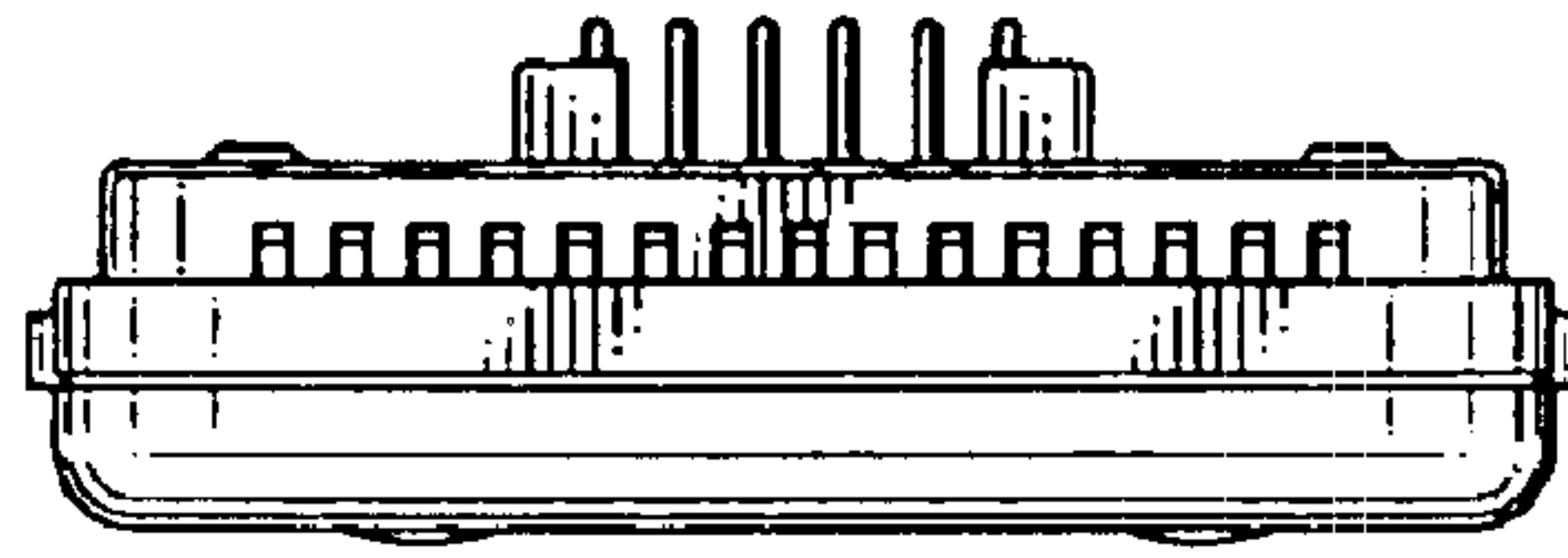


FIG. 2

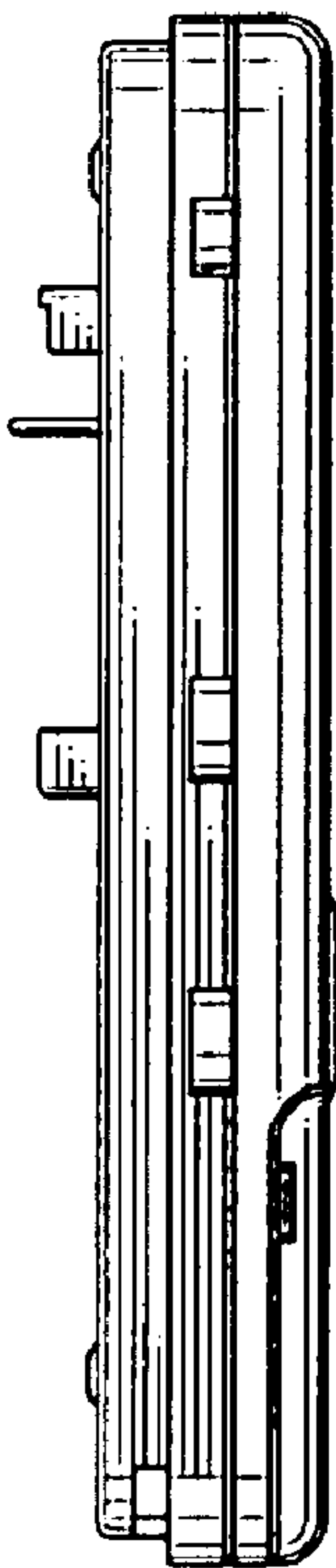


FIG. 4

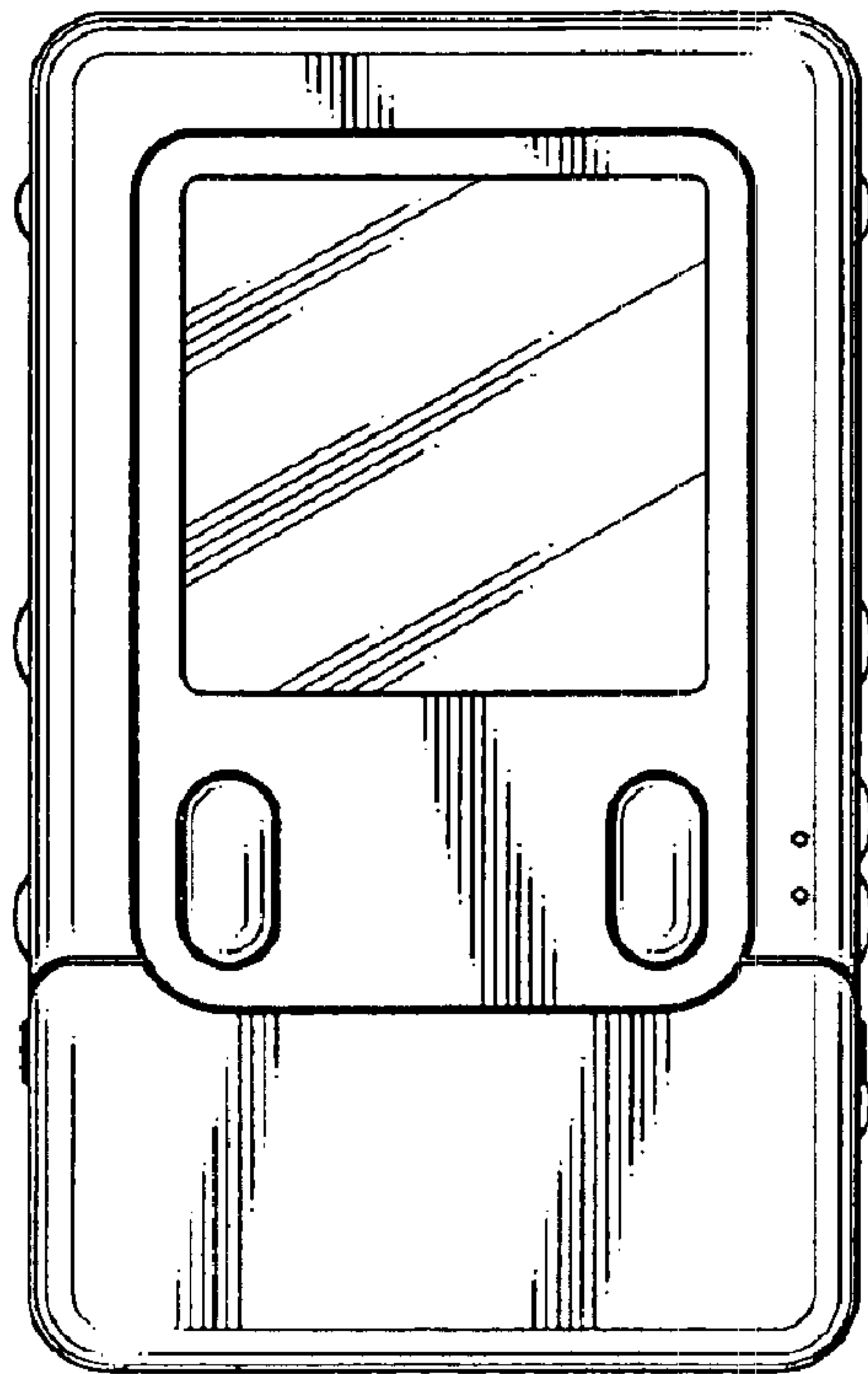


FIG. 1

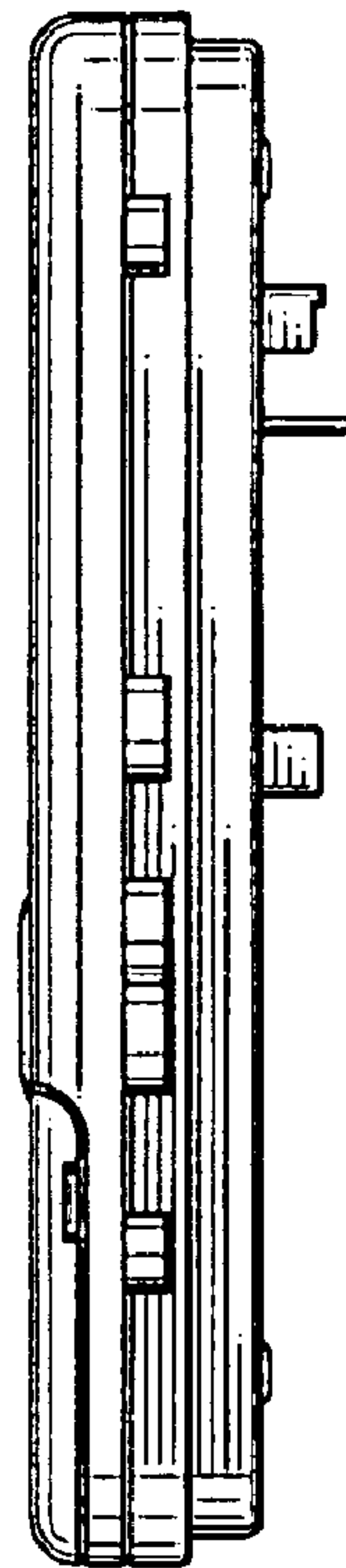


FIG. 5

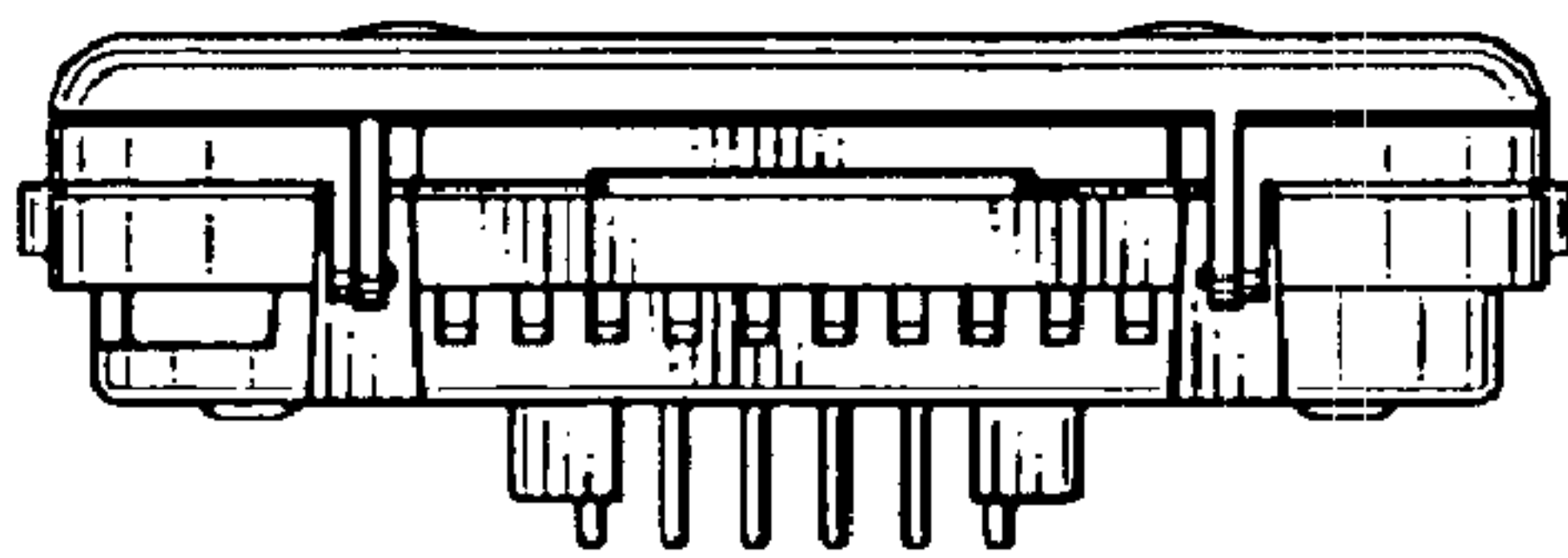


FIG. 3

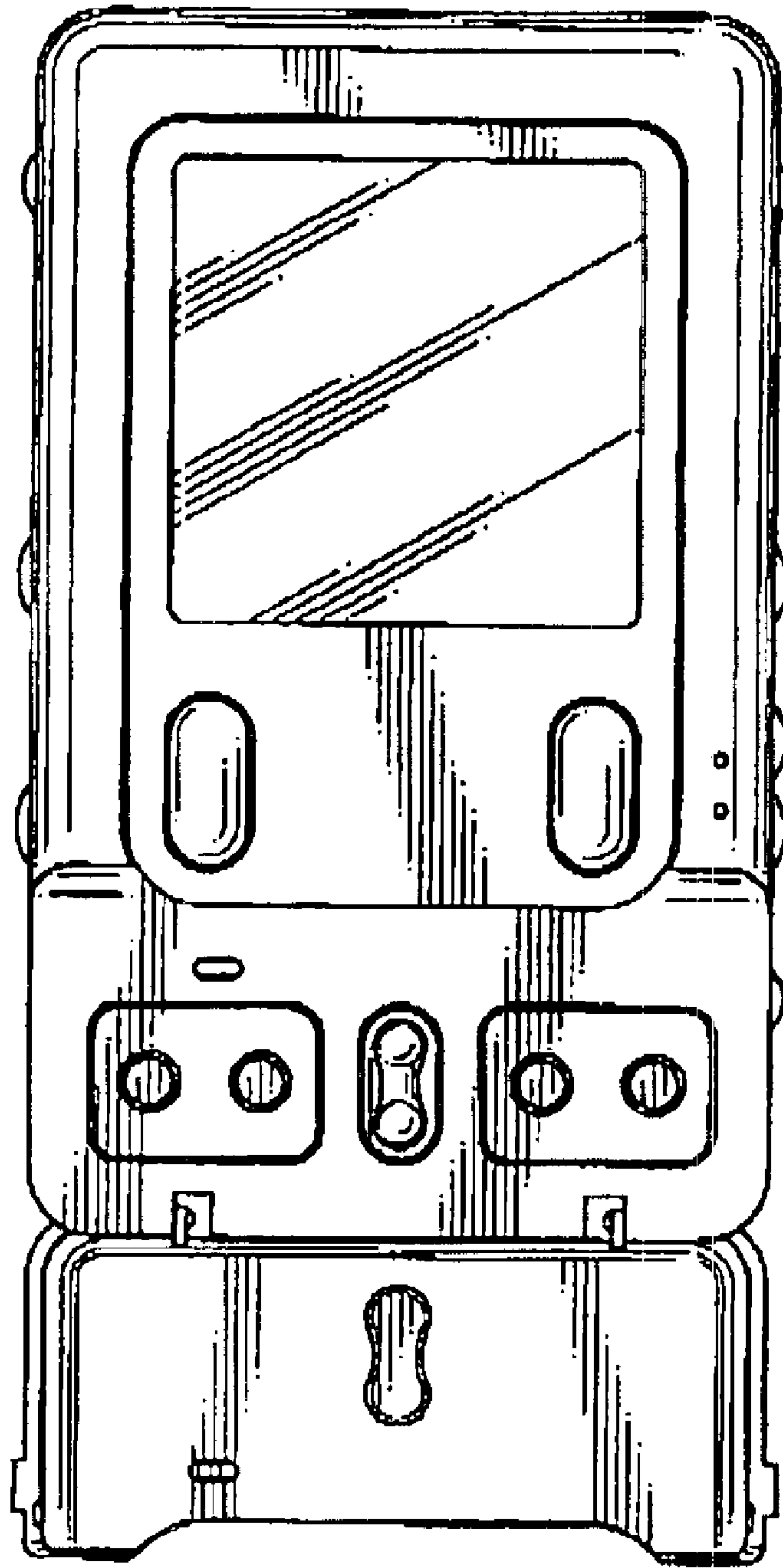
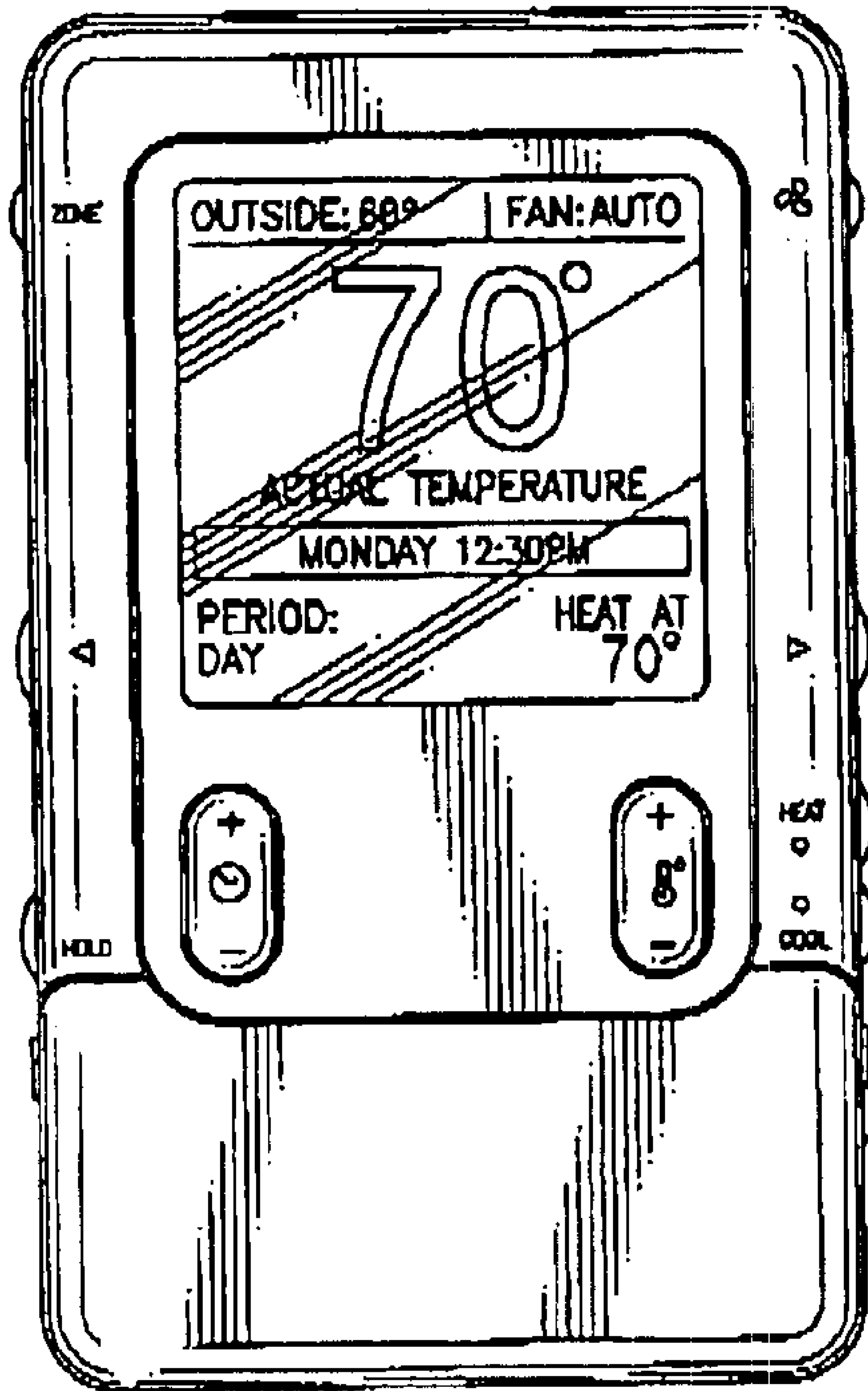


FIG. 6



**FIG. 7**