



US00D505340S

(12) **United States Design Patent** (10) **Patent No.:** **US D505,340 S**  
**Lalo** (45) **Date of Patent:** **\*\* May 24, 2005**

(54) **WATCH CASE**

(75) **Inventor:** **Eyal Lalo**, Hallandale, FL (US)

(73) **Assignee:** **Invicta Watch Company of America, Inc.**, Hollywood, FL (US)

(\*\*) **Term:** **14 Years**

(21) **Appl. No.:** **29/207,110**

(22) **Filed:** **Jun. 8, 2004**

(51) **LOC (7) Cl.** ..... **10-02**

(52) **U.S. Cl.** ..... **D10/30; D10/39**

(58) **Field of Search** ..... **D10/30-39; 368/280-282, 368/276-277, 285, 293-294**

(56) **References Cited**

**U.S. PATENT DOCUMENTS**

D462,015 S	8/2002	Blondin	
D462,908 S	9/2002	Lepeu et al.	
D463,748 S	10/2002	Lepeu et al.	
D470,422 S	* 2/2003	Grotell	D10/30
D485,767 S	1/2004	Lalo	
D494,477 S	* 8/2004	Lalo	D10/30

\* cited by examiner

*Primary Examiner*—Nelson C. Holtje

(74) *Attorney, Agent, or Firm*—Howard Natter; Natter & Natter

(57) **CLAIM**

An ornamental design for a watch case, as shown and described.

**DESCRIPTION**

This application is related to co-pending design patent application Ser. No. 29/197,754, filed Jan. 20, 2004.

FIG. 1 is a front perspective view of a watch case showing my new design;

FIG. 2 is a right side elevational view thereof;

FIG. 3 is a top end elevational view thereof;

FIG. 4 is a front plan view thereof;

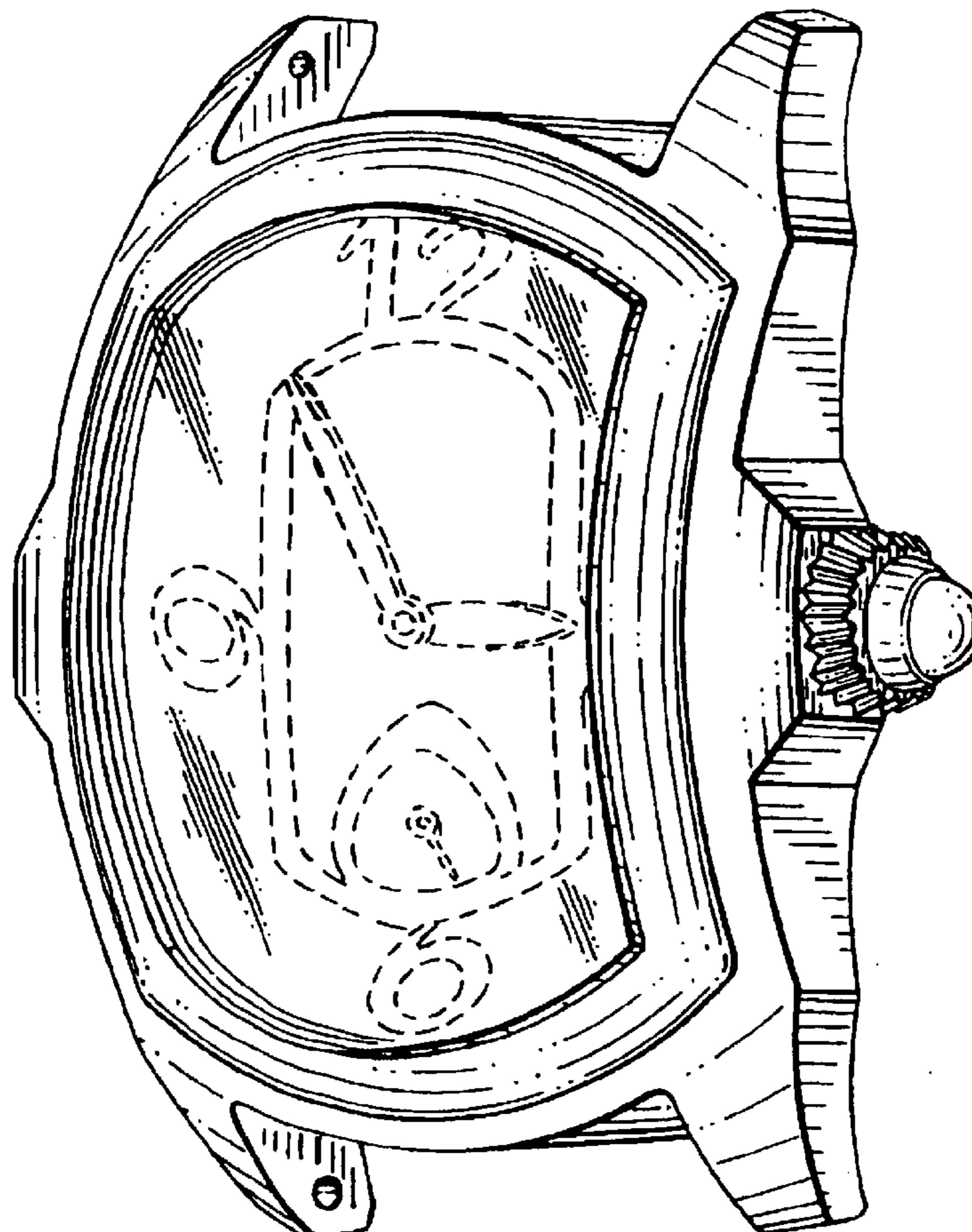
FIG. 5 is a left side elevational view thereof; and,

FIG. 6 is a back plan view thereof.

The bottom end elevational view is a mirror image of the top end elevational view illustrated in FIG. 3.

The broken-line showing of the watch face and hands in FIGS. 1 and 4 are for illustrative purposes only and form no part of the claimed design.

**1 Claim, 3 Drawing Sheets**



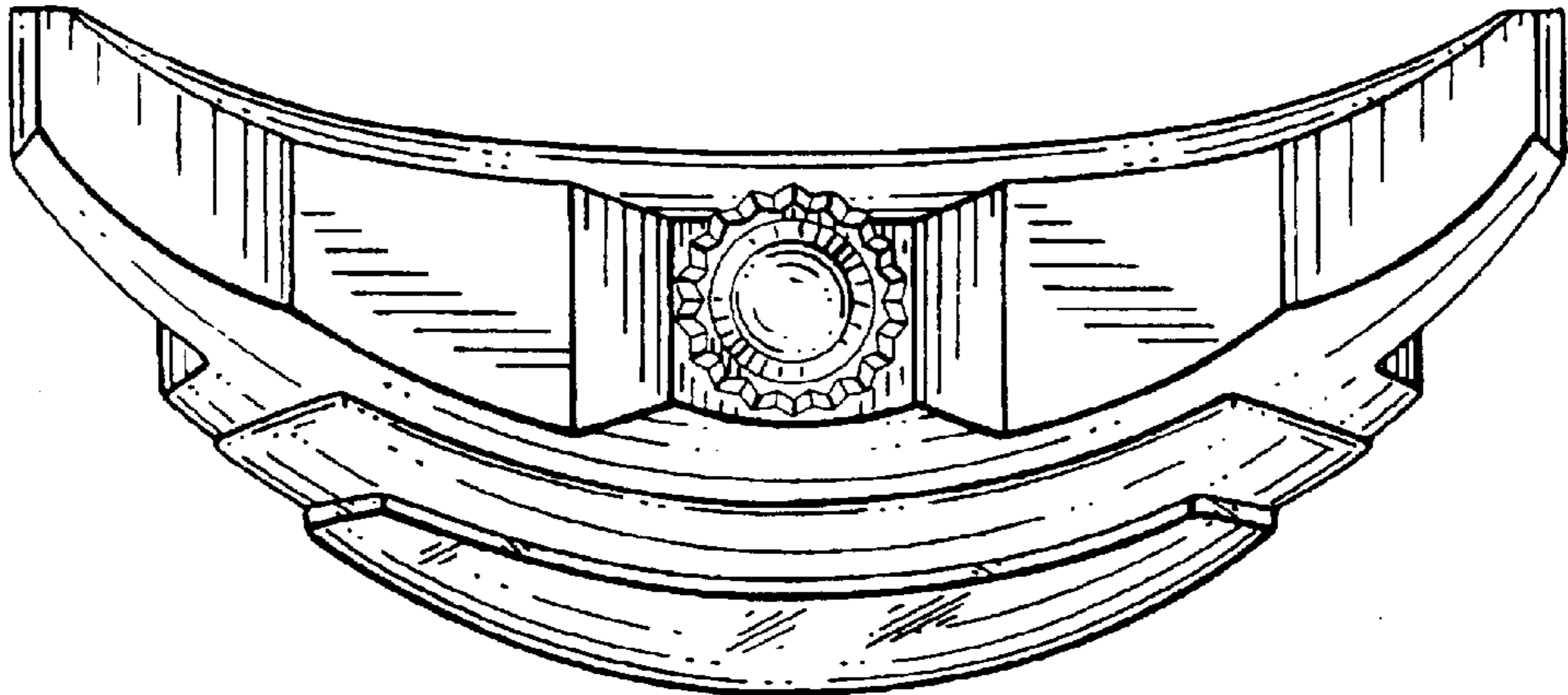


FIG. 2

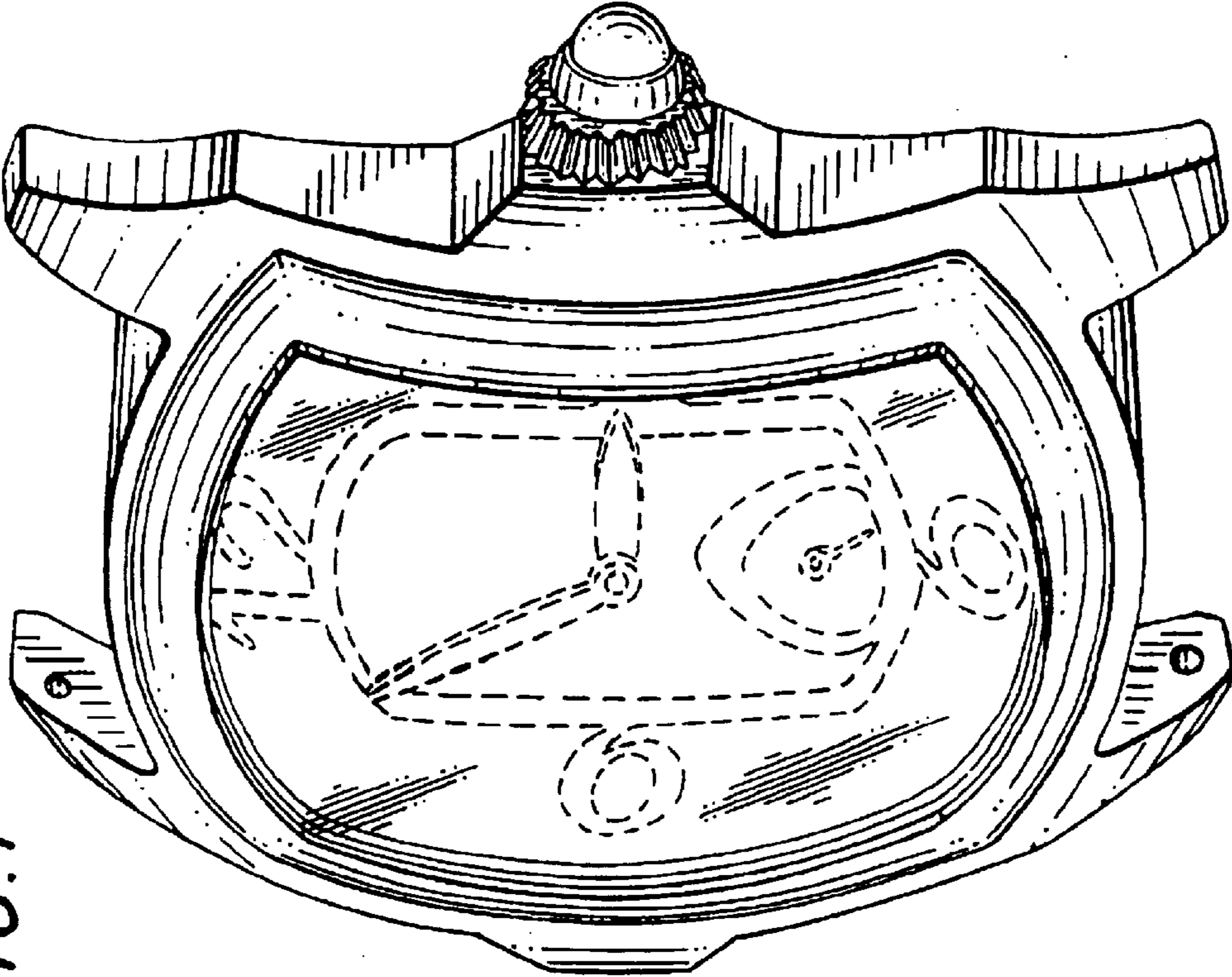


FIG. 1

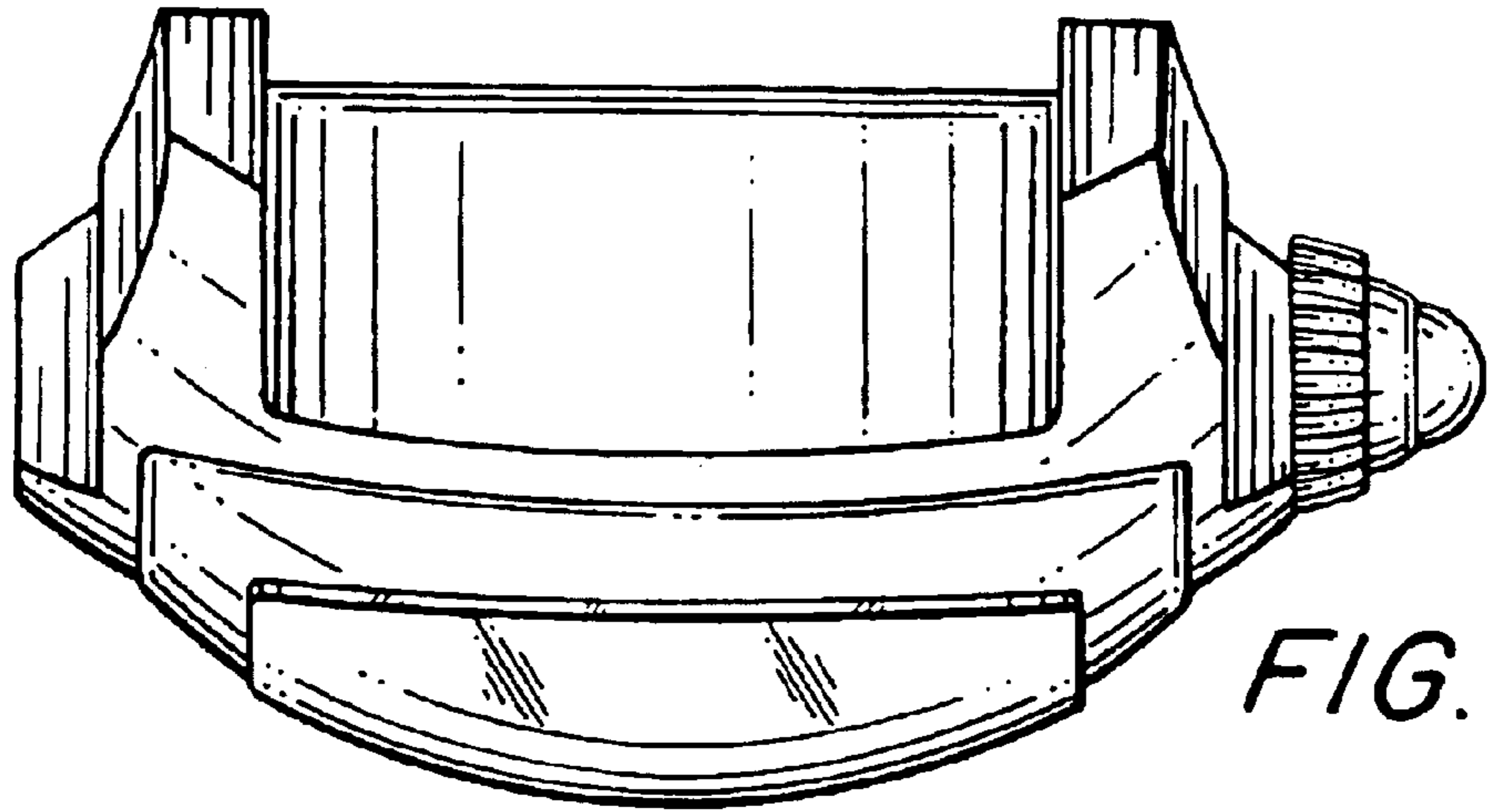


FIG. 3

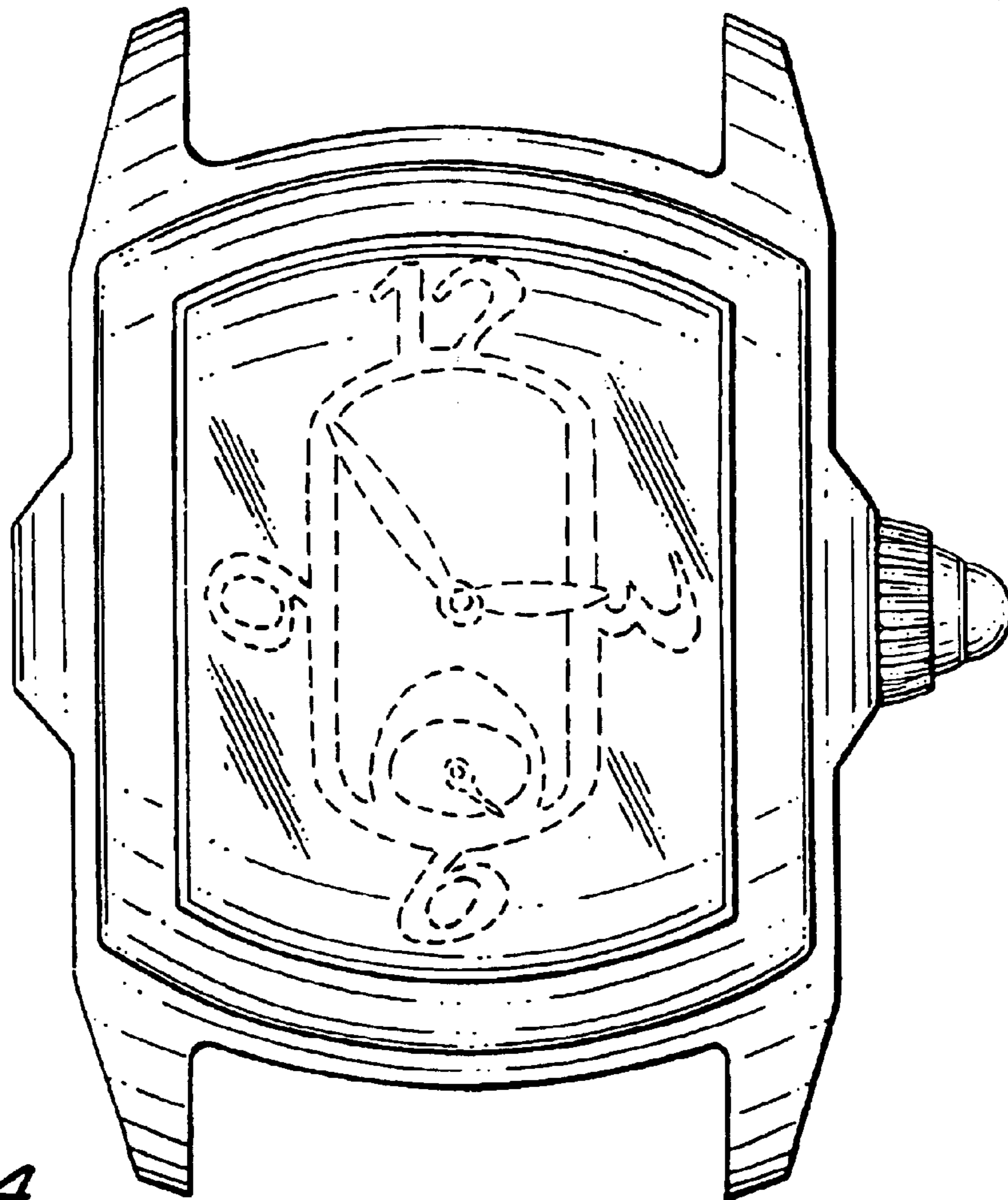


FIG. 4

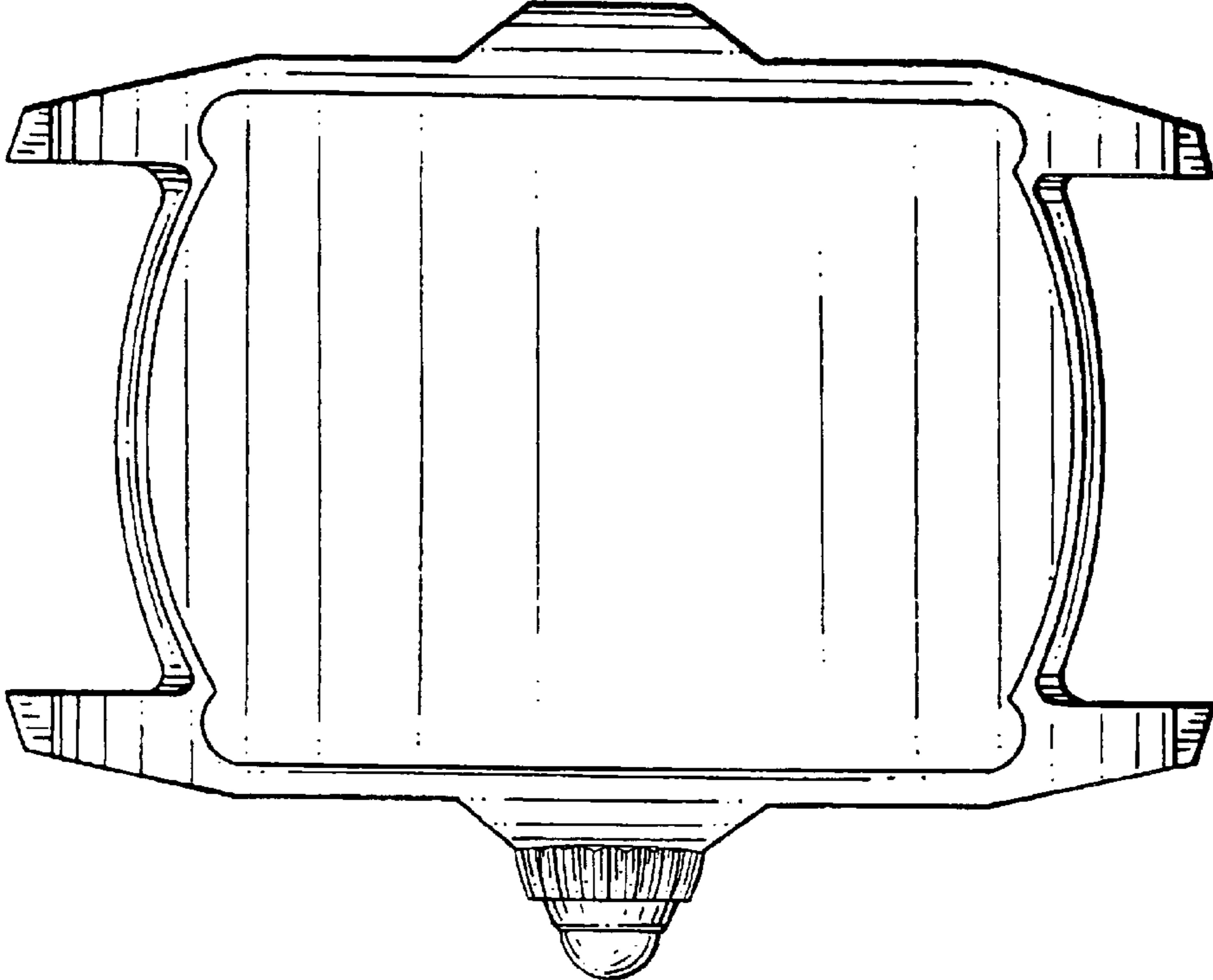


FIG. 6

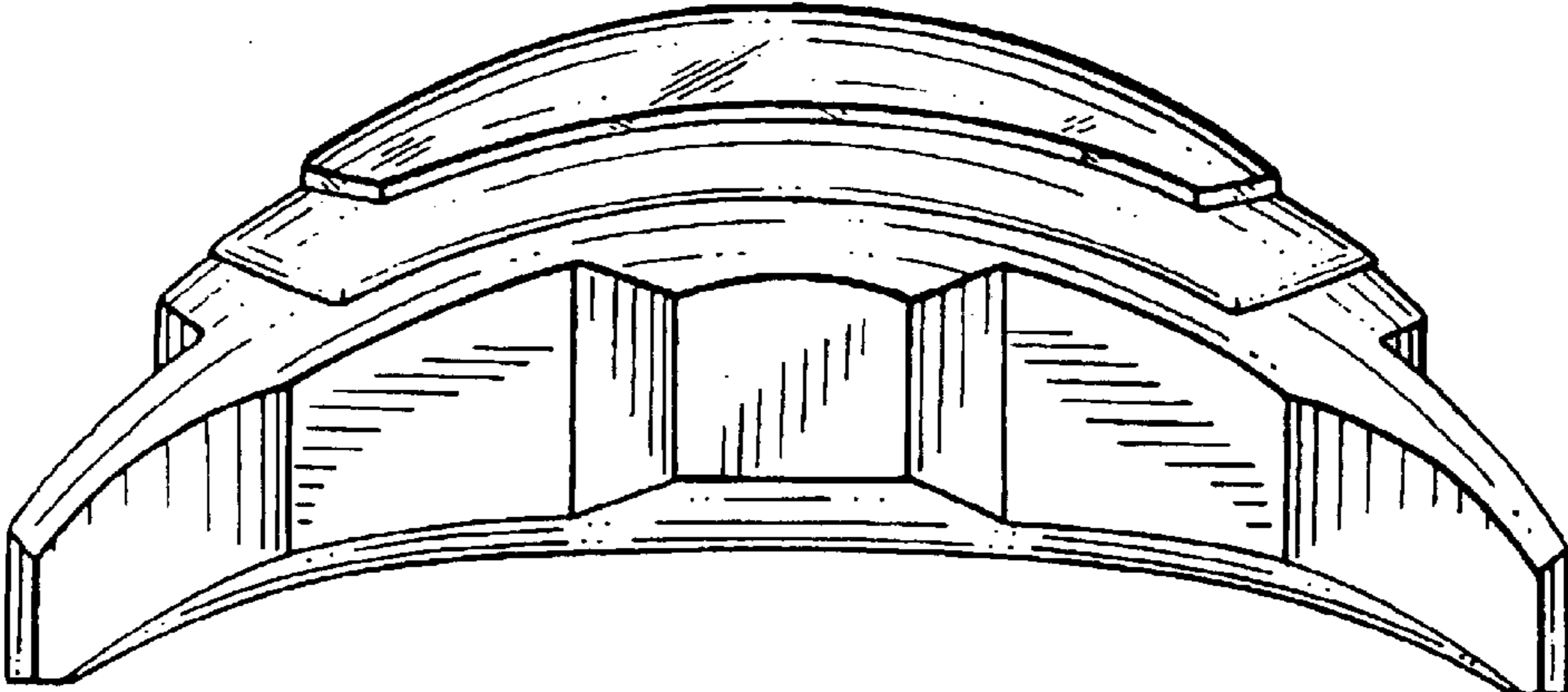


FIG. 5