

US00D505336S

(12) **United States Design Patent**
Schuster

(10) **Patent No.:** **US D505,336 S**

(45) **Date of Patent:** **** May 24, 2005**

(54) **BASKET CARTON FOR CARRYING BOTTLES AND SEVERAL DVD'S OR VCR TAPES**

(75) **Inventor:** **Richard Schuster, Monroe, LA (US)**

(73) **Assignee:** **Graphic Packaging International, Inc., Marietta, GA (US)**

(**) **Term:** **14 Years**

(21) **Appl. No.:** **29/186,917**

(22) **Filed:** **Jul. 24, 2003**

(51) **LOC (7) Cl.** **09-03**

(52) **U.S. Cl.** **D9/753; D9/433**

(58) **Field of Search** **D9/753, 433, 434; 206/175, 176, 173, 194, 178-185, 187, 188, 191; 229/117.21, 161, 162**

(56) **References Cited**

U.S. PATENT DOCUMENTS

D161,606 S	*	1/1951	Forrer	D9/753
D163,033 S	*	4/1951	Forrer	D9/753
D164,466 S	*	9/1951	Arneson	D9/753
2,675,157 A	*	4/1954	Turner et al.	206/188
2,712,397 A	*	7/1955	Kowal	206/191
D178,457 S	*	8/1956	Larsen	D9/753
D184,999 S	*	4/1959	Hodgman	D9/753
3,083,865 A	*	4/1963	Forrer	206/179
D206,359 S	*	11/1966	Wood	D9/753
D206,361 S	*	11/1966	Dolgins	D9/753
3,283,948 A	*	11/1966	Forrer	206/188
3,315,838 A	*	4/1967	Forrer	206/188
3,335,906 A	*	8/1967	Forrer	206/188
3,412,894 A	*	11/1968	Wood	206/188
3,442,421 A	*	5/1969	Donahue	206/183

3,465,913 A	*	9/1969	Zorn et al.	206/172
3,572,543 A	*	3/1971	Forrer et al.	206/176
3,624,790 A	*	11/1971	Stout	206/178
3,672,539 A	*	6/1972	Forrer	206/173
3,924,740 A	*	12/1975	Wood	206/187
4,000,813 A	*	1/1977	Stout	206/187
4,000,814 A	*	1/1977	Stout	206/187
6,341,689 B1	*	1/2002	Jones	206/175
D461,712 S	*	8/2002	Davis	D9/753

* cited by examiner

Primary Examiner—Stella Reid

Assistant Examiner—Mark A. Goodwin

(74) *Attorney, Agent, or Firm*—Womble Carlyle Sandridge & Rice, PLLC

(57) **CLAIM**

The ornamental design of a basket carton for carrying bottles and several DVD's or VCR tapes, as shown and described.

DESCRIPTION

FIG. 1 is a perspective view showing my new design for a basket carton for carrying bottles and several DVD's or VCR tapes shown in phantom lines which form no part of the claimed design;

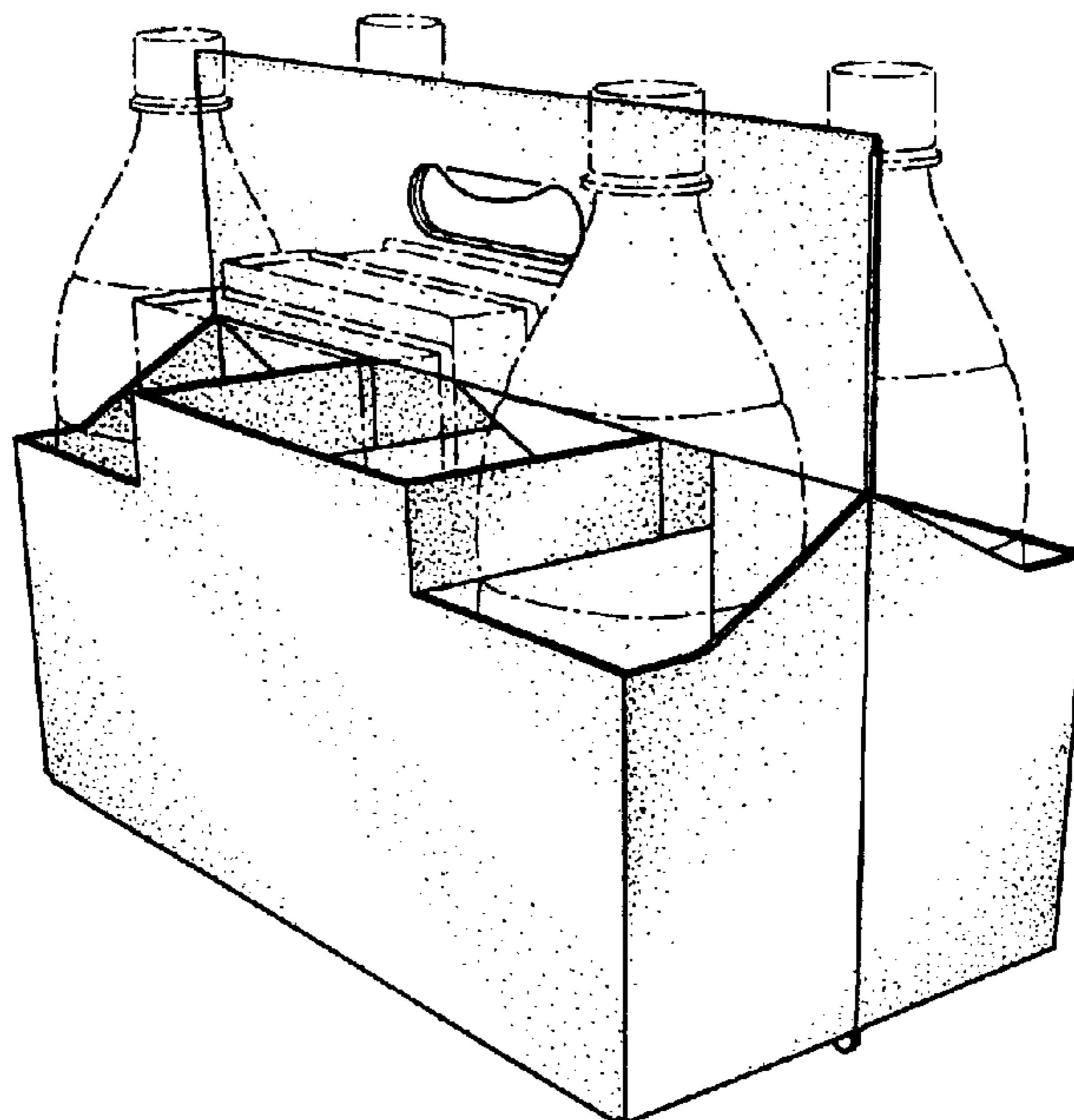
FIG. 2 is an end elevation of the basket carton for carrying bottles and several DVD's or VCR tapes of FIG. 1, the opposite end of which is a mirror image;

FIG. 3 is a top plan view of the basket carton for carrying bottles and several DVD's or VCR tapes of FIG. 1;

FIG. 4 is a side elevation of the basket carton for carrying bottles and several DVD's or VCR tapes of FIG. 1, the opposite side of which is a mirror image; and,

FIG. 5 is a bottom plan view of the basket carton for carrying bottles and several DVD's or VCR tapes of FIG. 1.

1 Claim, 2 Drawing Sheets



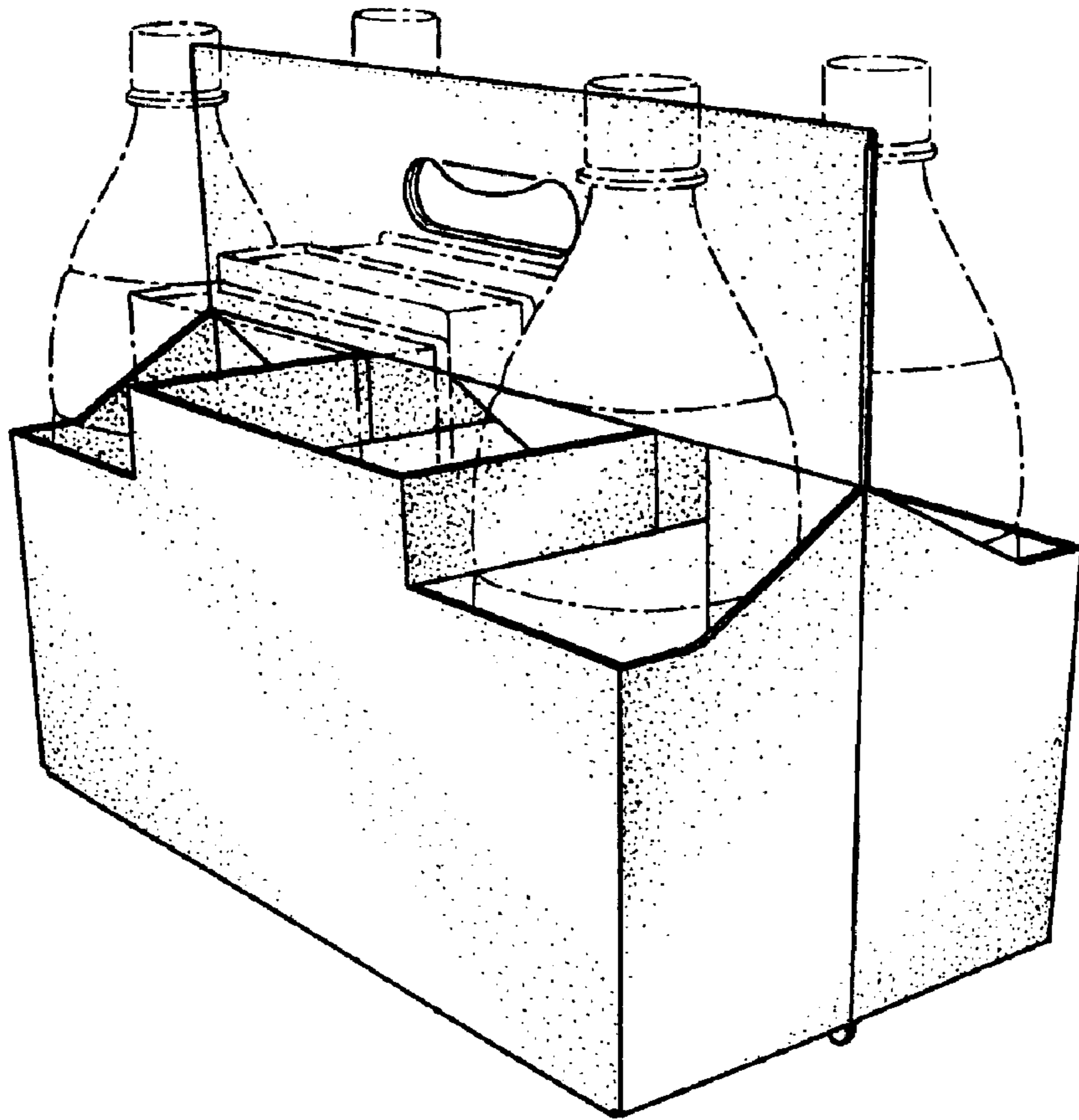


FIG 1

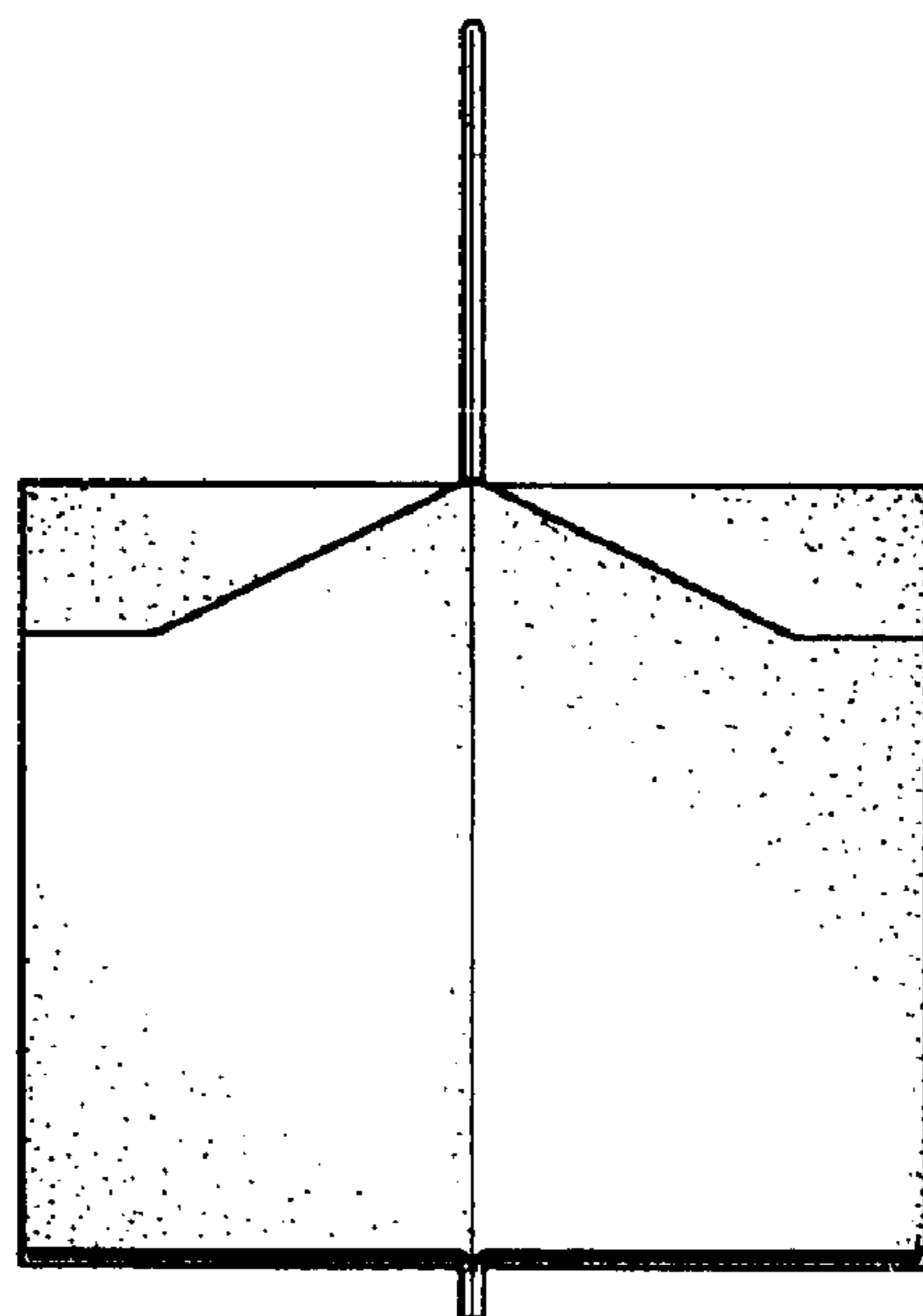


FIG 2

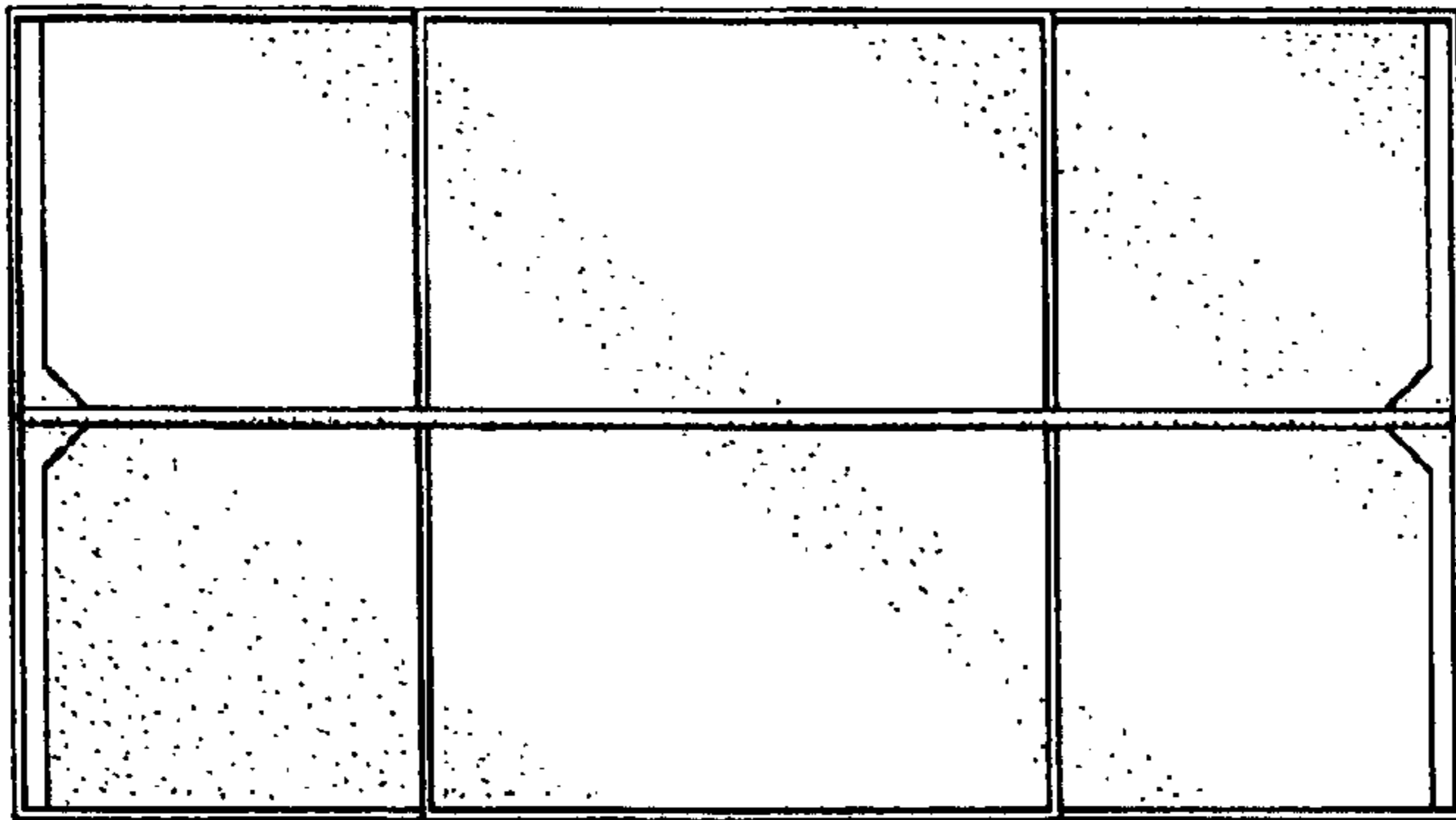


FIG 3

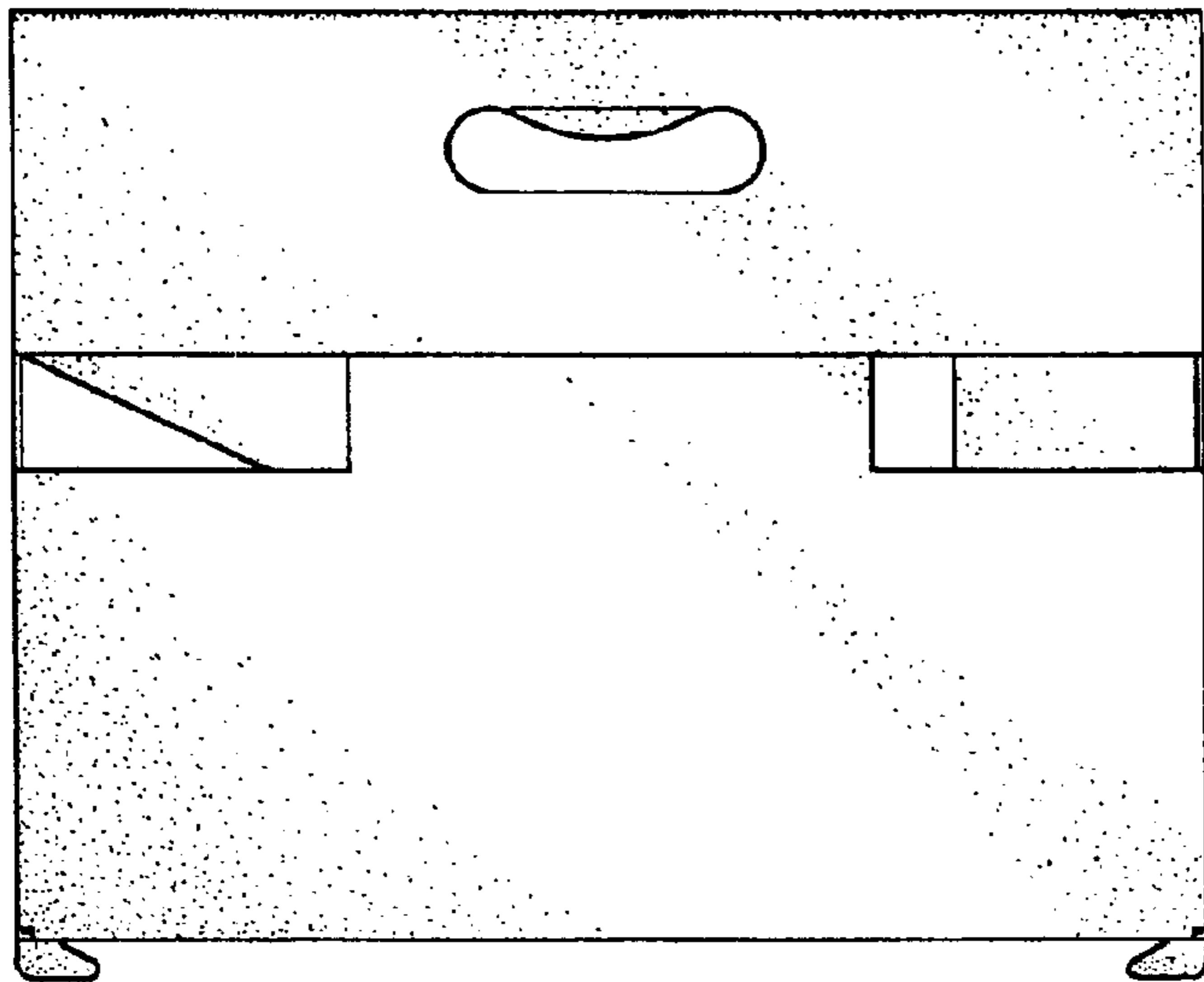


FIG 4

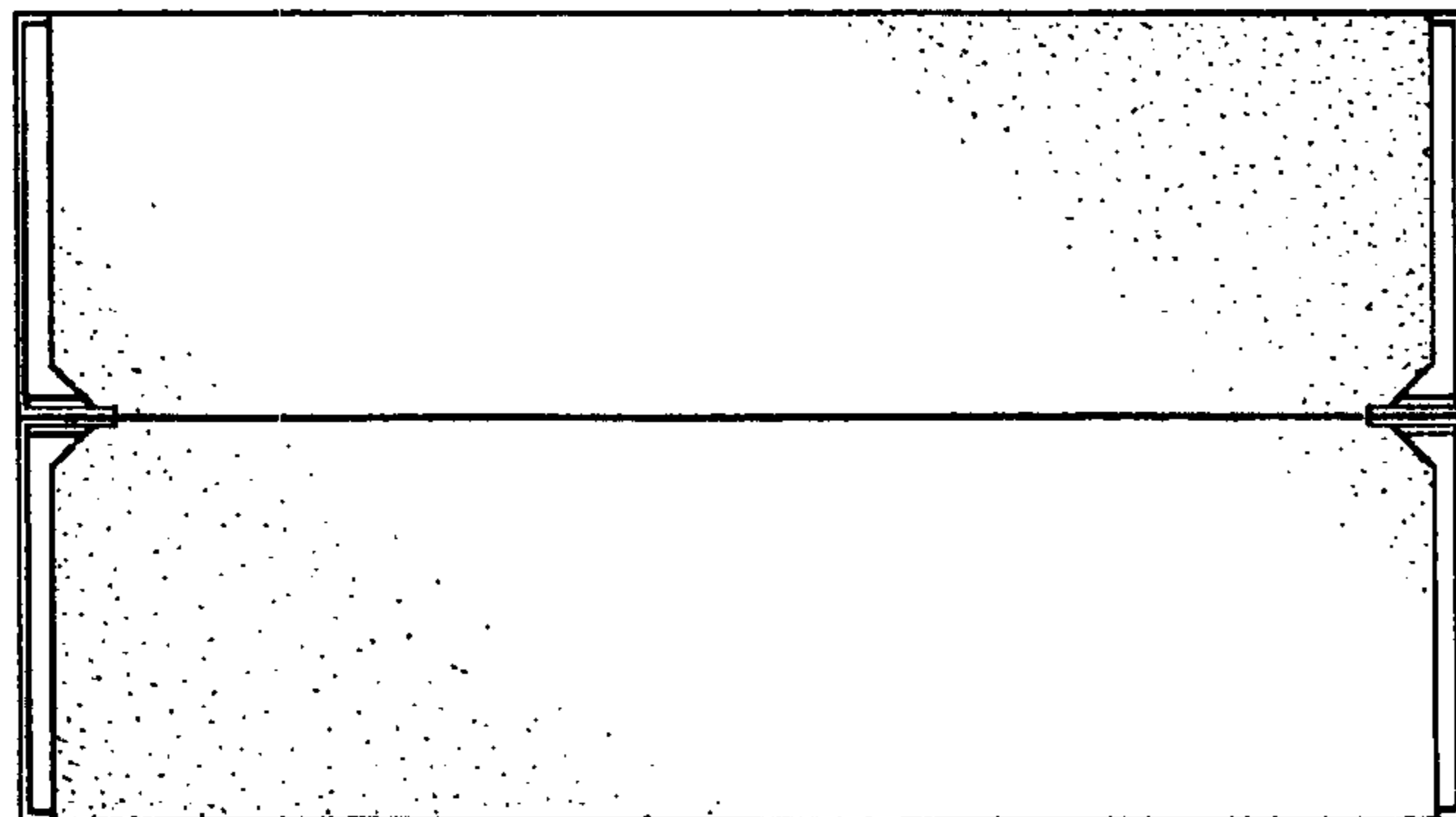


FIG 5