



US00D505328S

(12) **United States Design Patent**  
**Chou**

(10) **Patent No.:** **US D505,328 S**  
(45) **Date of Patent:** **\*\* May 24, 2005**

(54) **BOTTLE HOLDER**

(75) Inventor: **Tung Chou, Yang Mei (TW)**

(73) Assignee: **Leapers, Inc., Livonia, MI (US)**

(\*\*) Term: **14 Years**

(21) Appl. No.: **29/205,498**

(22) Filed: **May 14, 2004**

**Related U.S. Application Data**

(62) Division of application No. 29/189,329, filed on Sep. 3, 2003, now Pat. No. Des. 494,471.

(51) **LOC (7) Cl.** ..... **09-07**

(52) **U.S. Cl.** ..... **D9/455**

(58) **Field of Search** ..... D9/455, 434, 499;  
D7/601, 387, 622, 619.1; 215/399, 396,  
395; 220/751, 737, 741, 742; 294/31.2,  
137, 149

(56) **References Cited**

**U.S. PATENT DOCUMENTS**

1,825,897 A \* 10/1931 Brooke ..... 294/31.2  
D225,437 S \* 12/1972 Killigrew ..... D7/622  
D292,160 S \* 10/1987 Thomas ..... D7/622  
D302,527 S \* 8/1989 Spies ..... D7/622

D429,607 S \* 8/2000 Prim ..... D7/622

\* cited by examiner

*Primary Examiner*—Louis S. Zarfes

*Assistant Examiner*—Susan Bennett Hattan

(74) *Attorney, Agent, or Firm*—Honigman Miller Schwartz  
and Cohn LLP

(57) **CLAIM**

The ornamental design for a bottle holder, as shown and described.

**DESCRIPTION**

FIG. 1 is a perspective view of a bottle holder looking downwardly from the front and right of the bottle holder.

FIG. 2 is a top view of the bottle holder shown in FIG. 1.

FIG. 3 is a front elevation view of the bottle holder shown in FIG. 1.

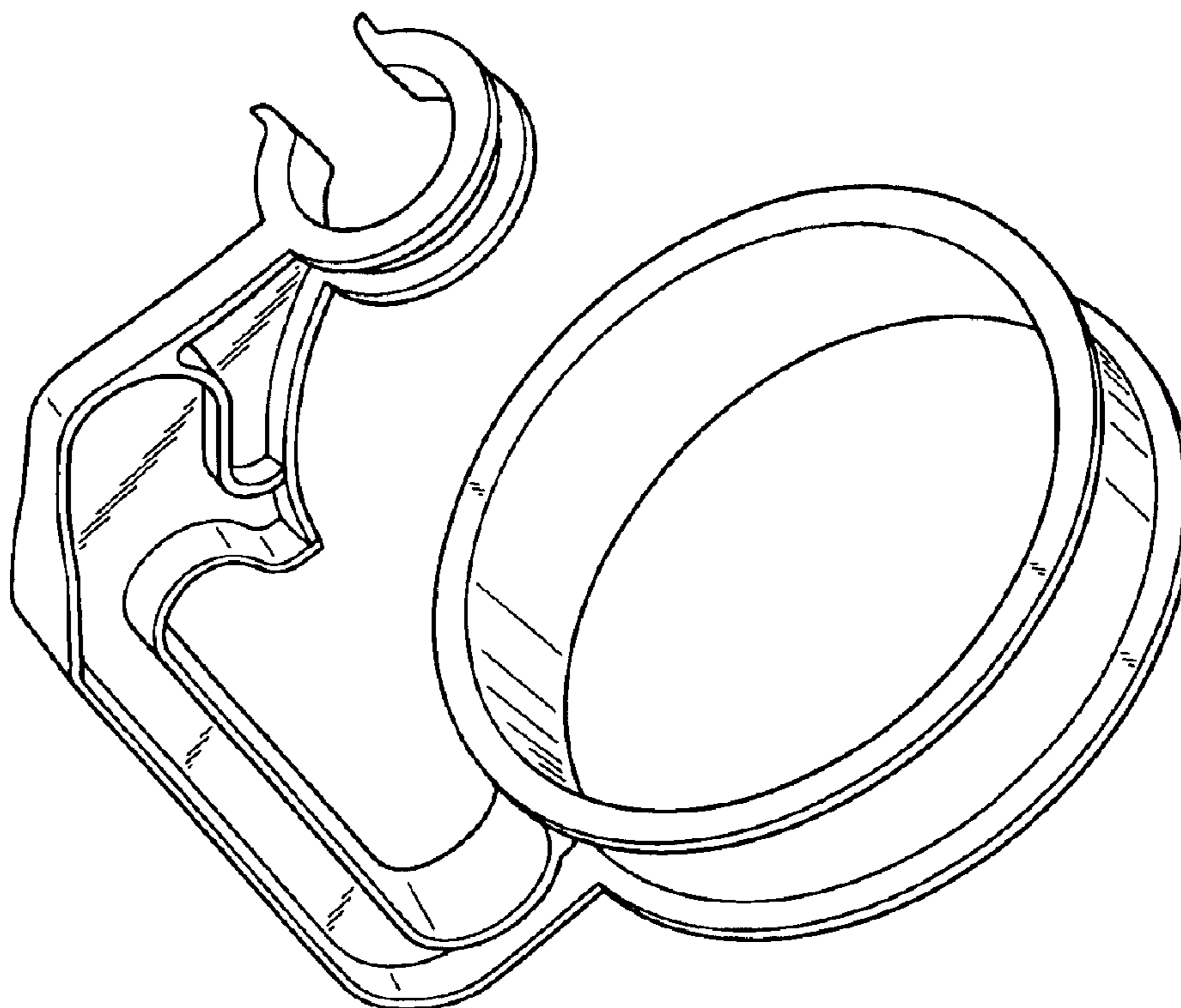
FIG. 4 is a right side elevation view of the bottle holder shown in FIG. 1.

FIG. 5 is a left side elevation view of the bottle holder shown in FIG. 1.

FIG. 6 is a rear elevation view of the bottle holder shown in FIG. 1; and,

FIG. 7 is a bottom view of the bottle holder shown in FIG. 1.

**1 Claim, 4 Drawing Sheets**



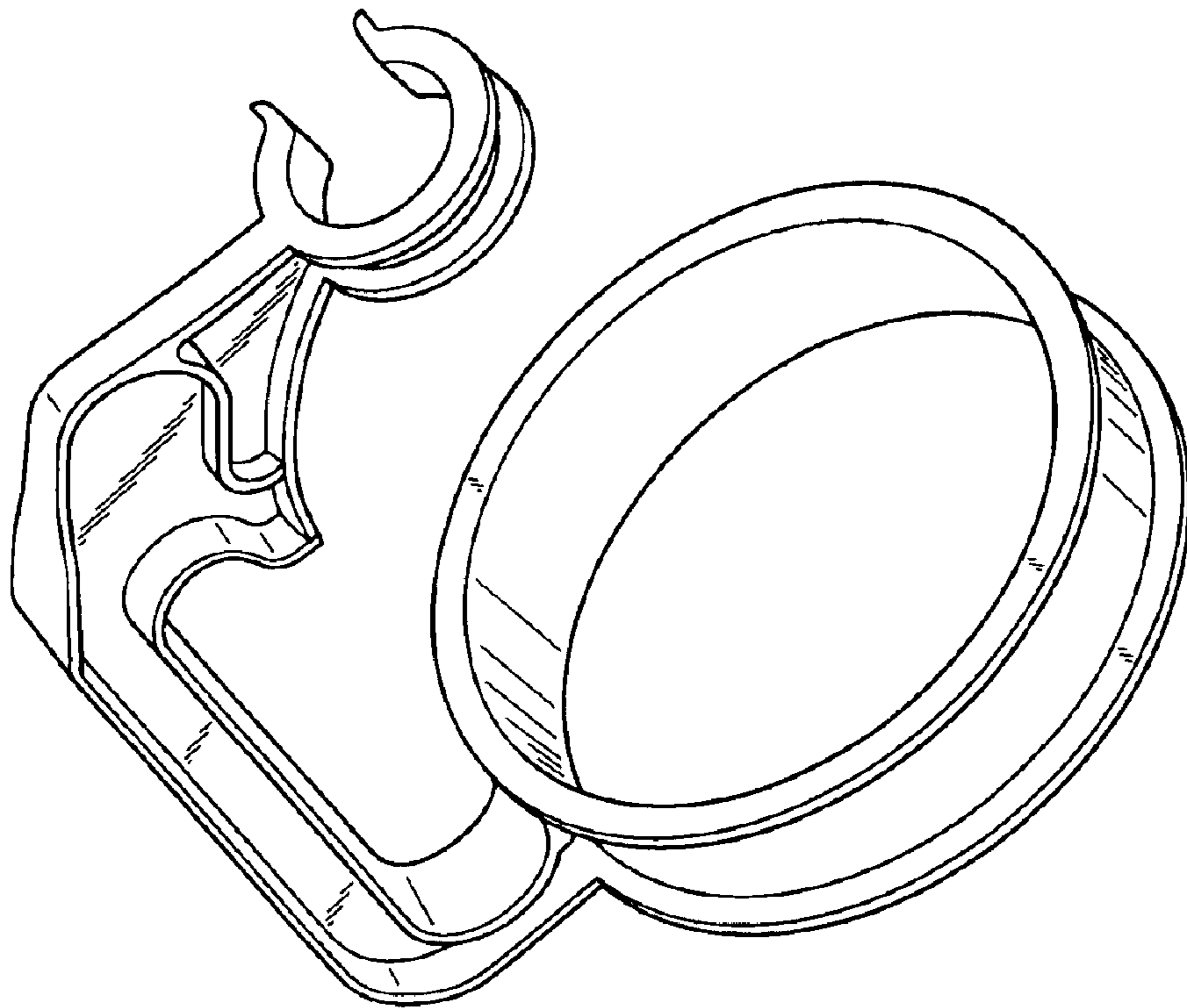


FIG. 1

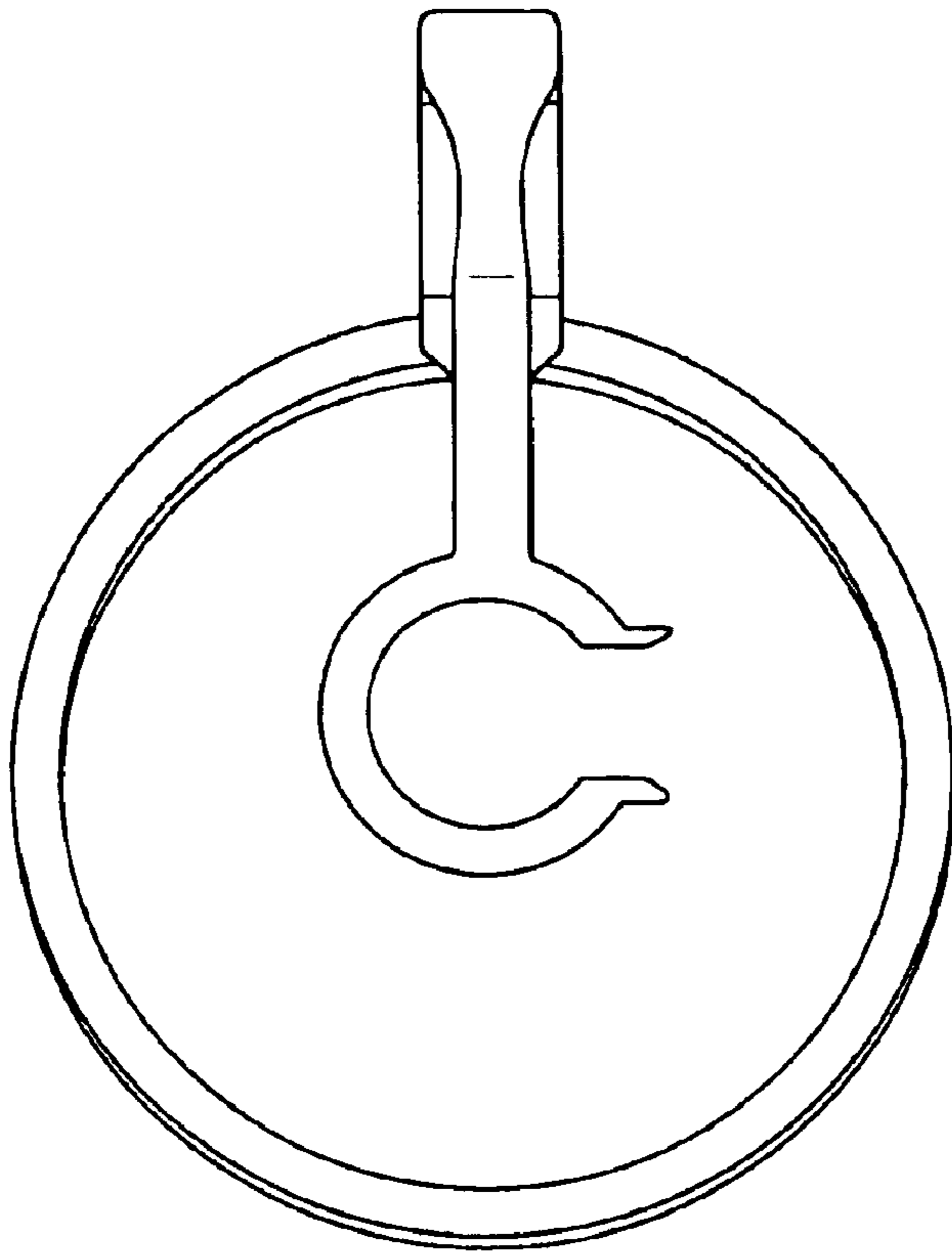


FIG. 2

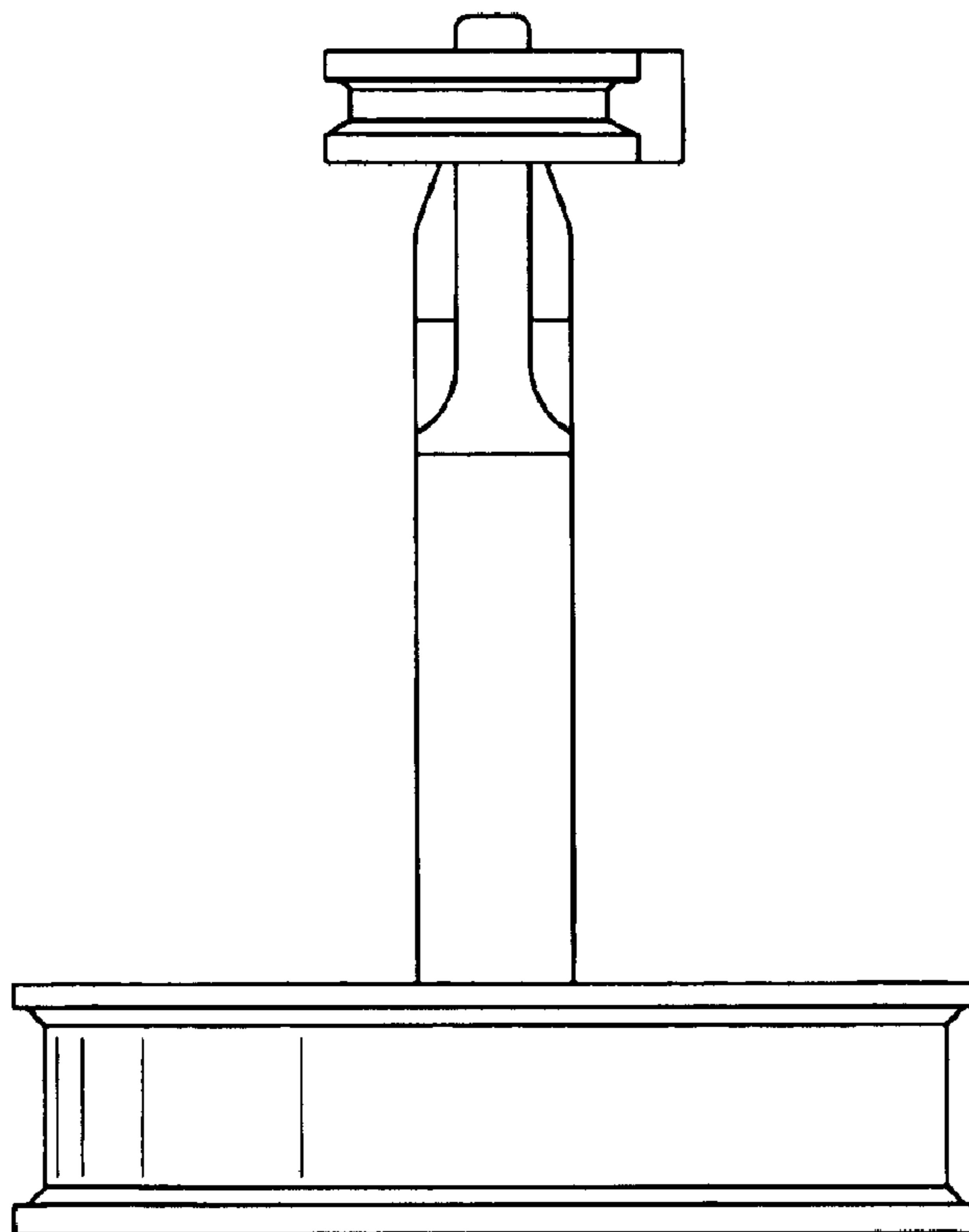


FIG. 3

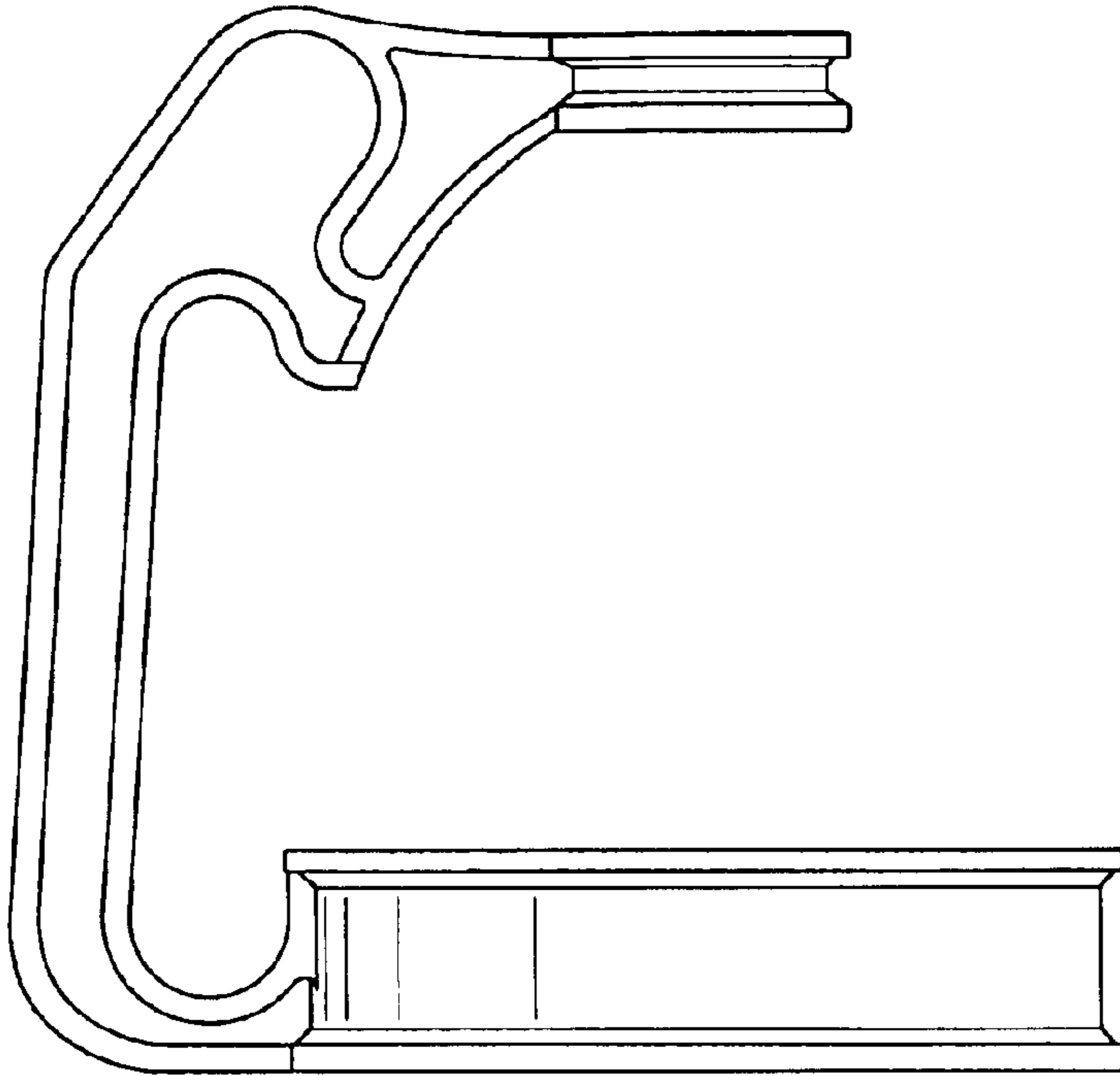


FIG. 4

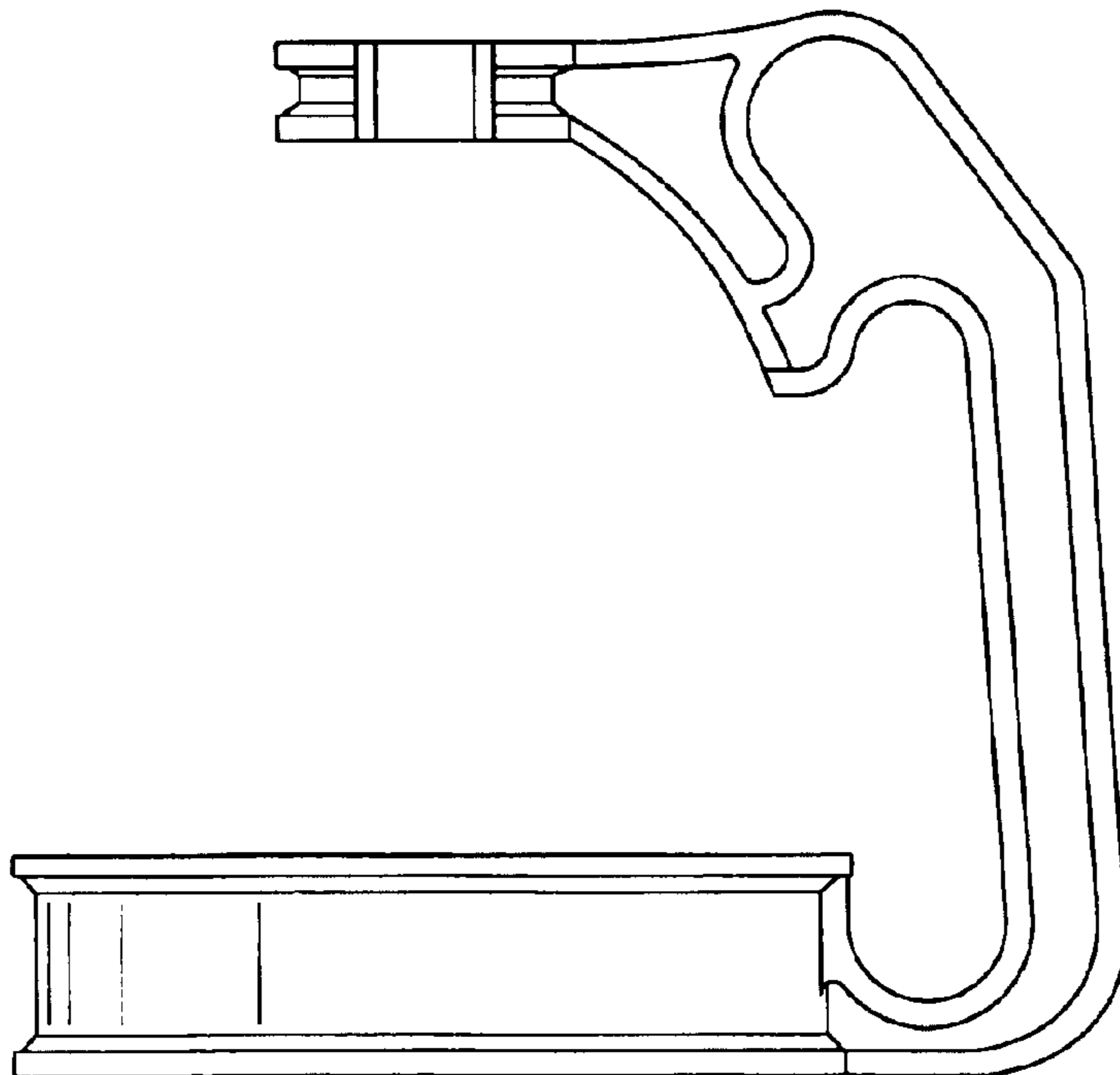


FIG. 5

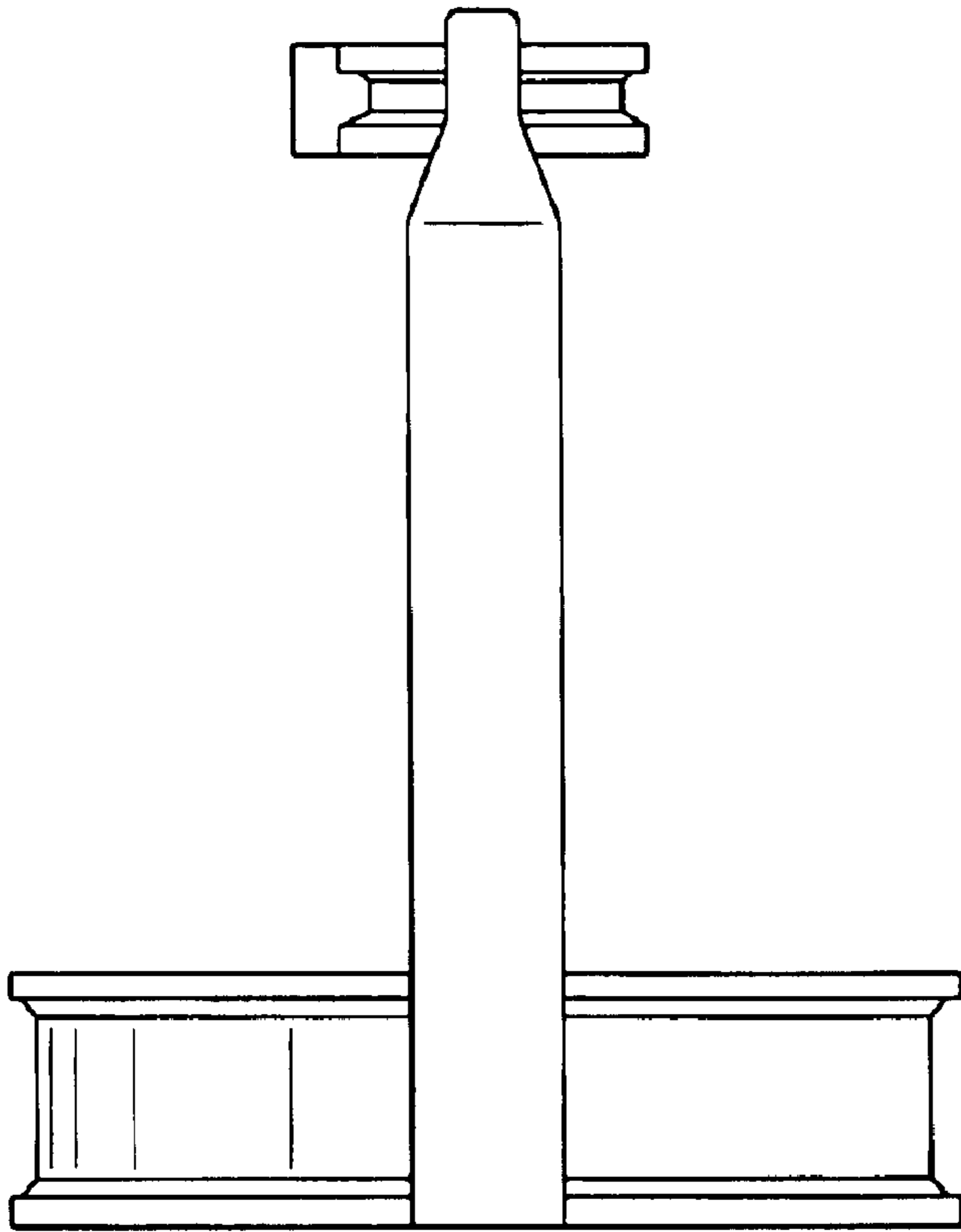


FIG. 6

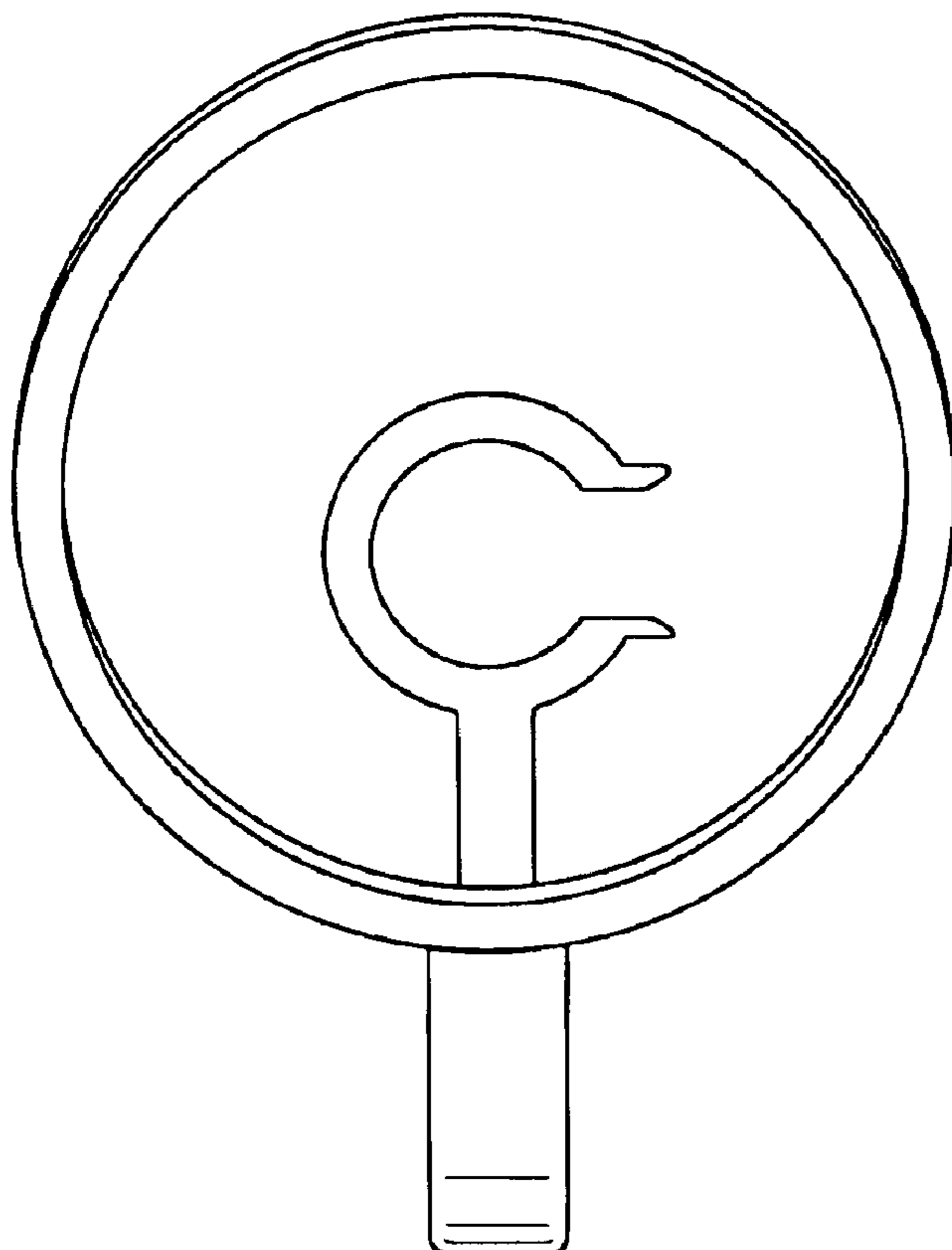


FIG. 7