

US00D505323S

(12) **United States Design Patent**  
**Ramirez et al.**

(10) **Patent No.: US D505,323 S**

(45) **Date of Patent: \*\* May 24, 2005**

(54) **THREE-COMPARTMENT CONTAINER**

(75) Inventors: **Richard L. Ramirez**, Lawrenceville,  
GA (US); **Mark A. Bergeron**, Lithonia,  
GA (US)

(73) Assignee: **Tekni-Plex, Inc.**, Somerville, NJ (US)

(\*\*) Term: **14 Years**

(21) Appl. No.: **29/204,392**

(22) Filed: **Apr. 28, 2004**

(51) **LOC (7) Cl.** ..... **09-07**

(52) **U.S. Cl.** ..... **D9/425; D9/432**

(58) **Field of Search** ..... D9/420-426, 432,  
D9/414, 428; D7/629, 602; D3/273, 294;  
229/406, 407, 902, 904; 206/508, 216;  
426/106; 220/781-794, 674, 675, 4.21-4.24,  
555, 556, 810, 836, 837, 841, 366.1, 367

(56) **References Cited**

**U.S. PATENT DOCUMENTS**

4,079,880 A \* 3/1978 Edwards ..... 220/4.21  
D282,245 S \* 1/1986 Yeung ..... D9/425  
5,094,355 A \* 3/1992 Clark et al. .... 220/4.23  
5,693,388 A \* 12/1997 Castner et al. .... 428/35.7  
D393,204 S \* 4/1998 Goins et al. .... D9/425  
5,833,116 A \* 11/1998 Guillin ..... 220/783

5,906,292 A \* 5/1999 Rider, Jr. .... 220/839  
6,056,138 A \* 5/2000 Chen ..... 220/4.21  
D439,159 S \* 3/2001 Chen ..... D9/425  
D466,808 S \* 12/2002 Liu et al. .... D9/425  
D468,637 S \* 1/2003 Chou ..... D9/425

\* cited by examiner

*Primary Examiner*—Prabhakar Deshmukh

(74) *Attorney, Agent, or Firm*—Pitney Hardin LLP

(57) **CLAIM**

The ornamental design for a three-compartment container,  
as shown and described.

**DESCRIPTION**

FIG. 1 is a top plan view of a three-compartment container  
according to our new design;

FIG. 2 is a front elevational view thereof;

FIG. 3 is an enlarged scale left-side elevational view thereof;

FIG. 4 is an enlarged scale right-side elevational view  
thereof;

FIG. 5 is a rear elevational view thereof;

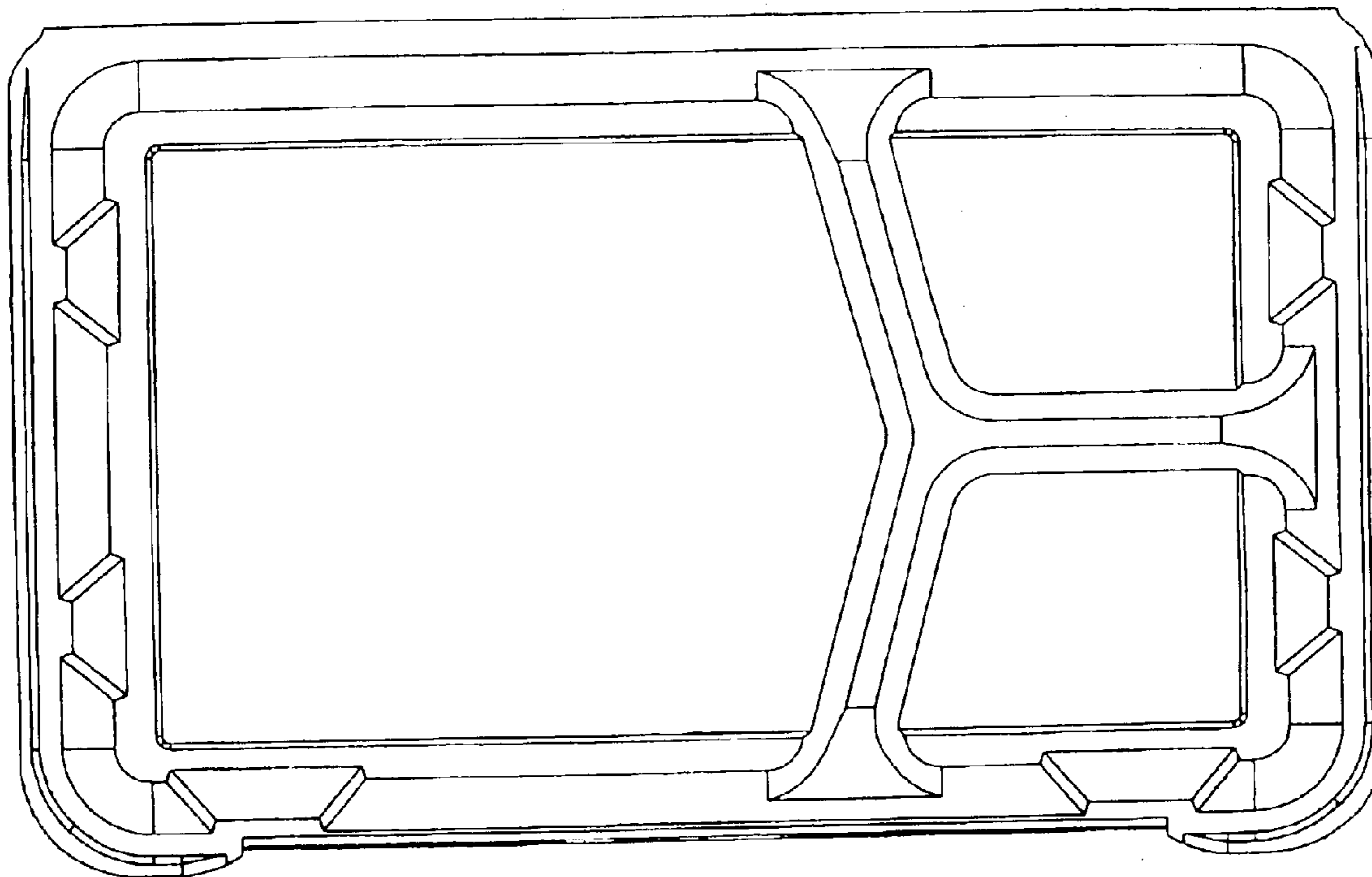
FIG. 6 is a bottom plan view thereof;

FIG. 7 is a perspective view thereof;

FIG. 8 is a perspective view thereof in a partially opened  
condition; and,

FIG. 9 is a plan view of the interior of the three-compartment  
container in a fully opened condition.

**1 Claim, 9 Drawing Sheets**



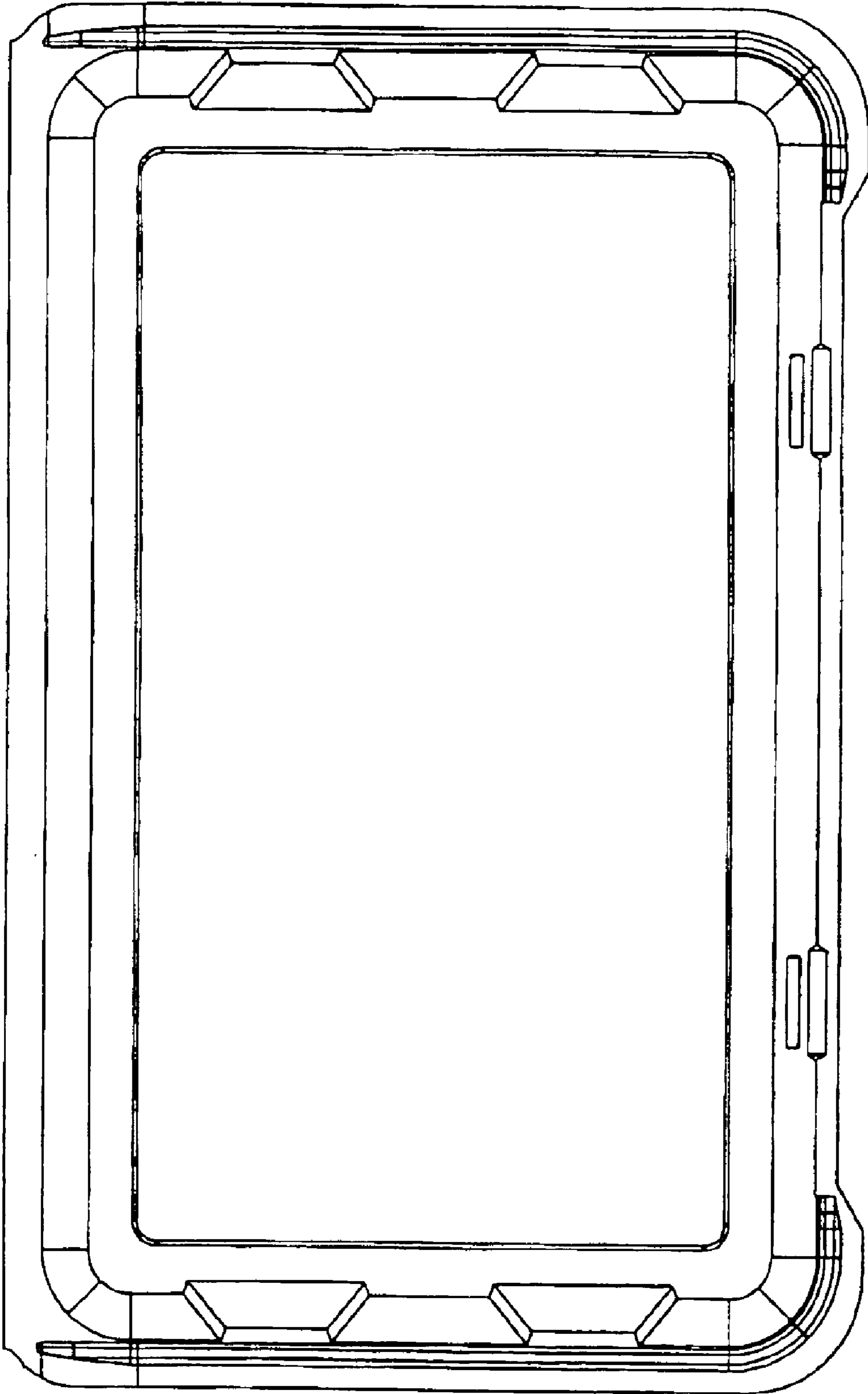


Fig. 1

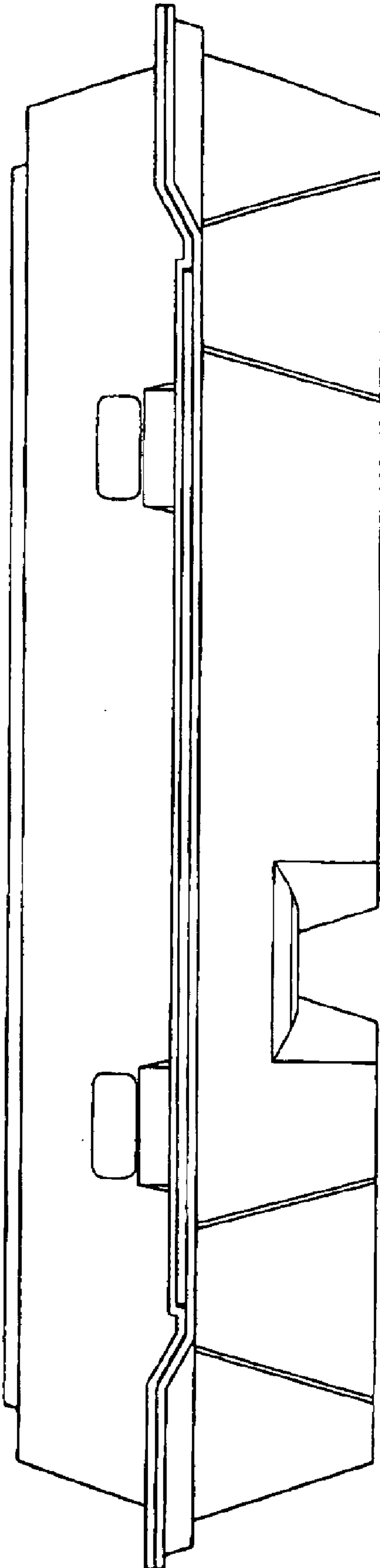


Fig. 2

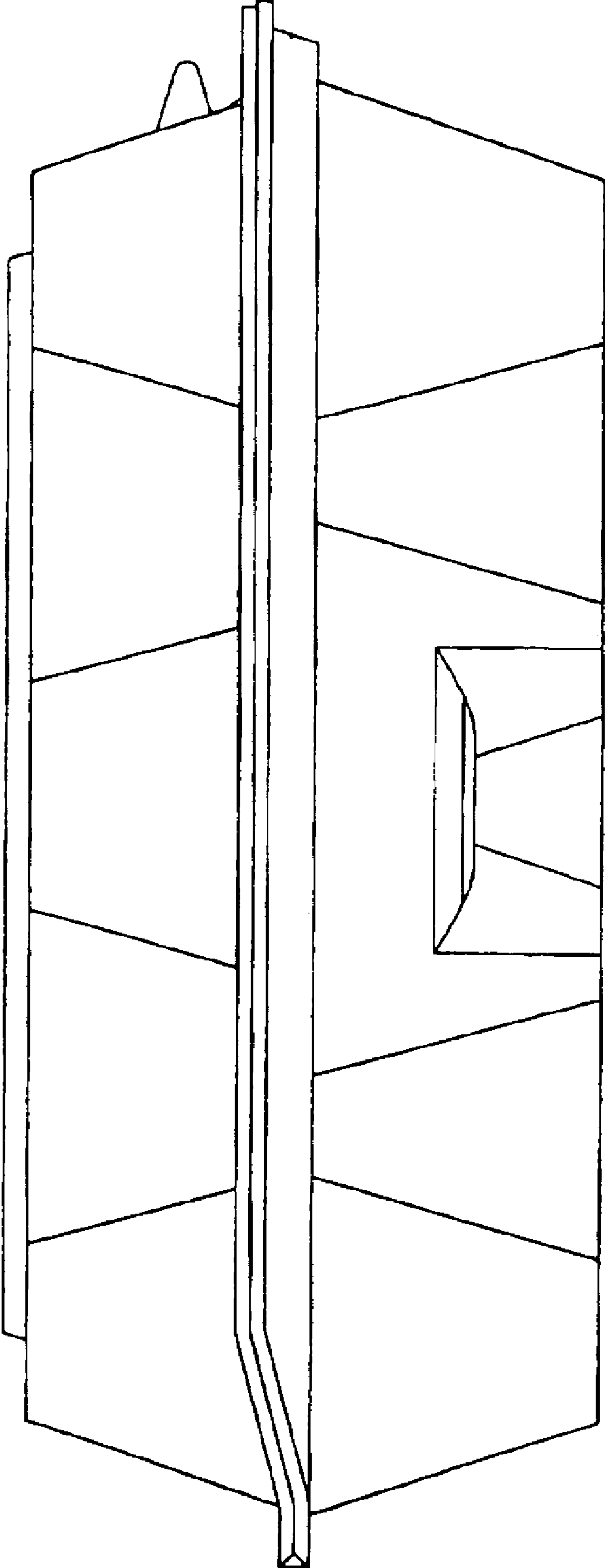


Fig. 3

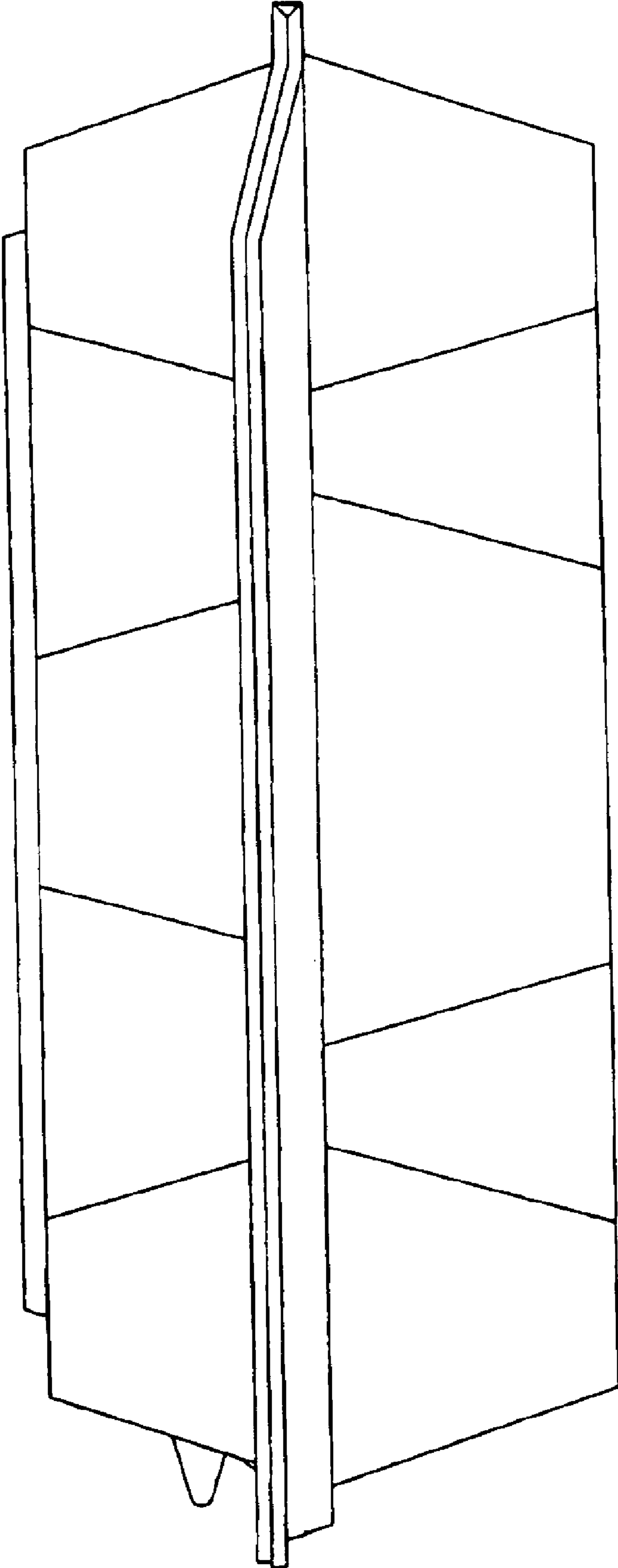


Fig. 4

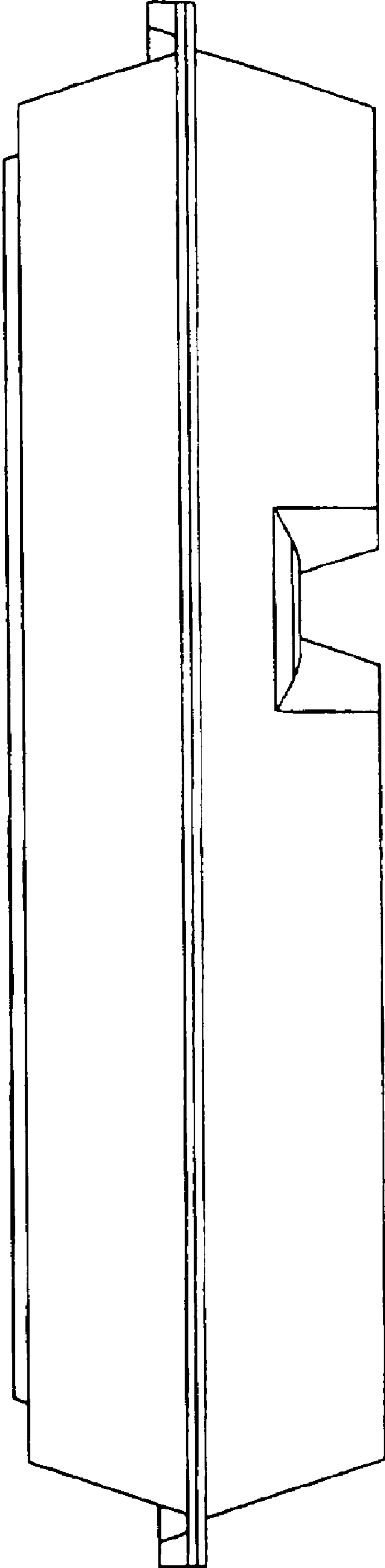


Fig. 5

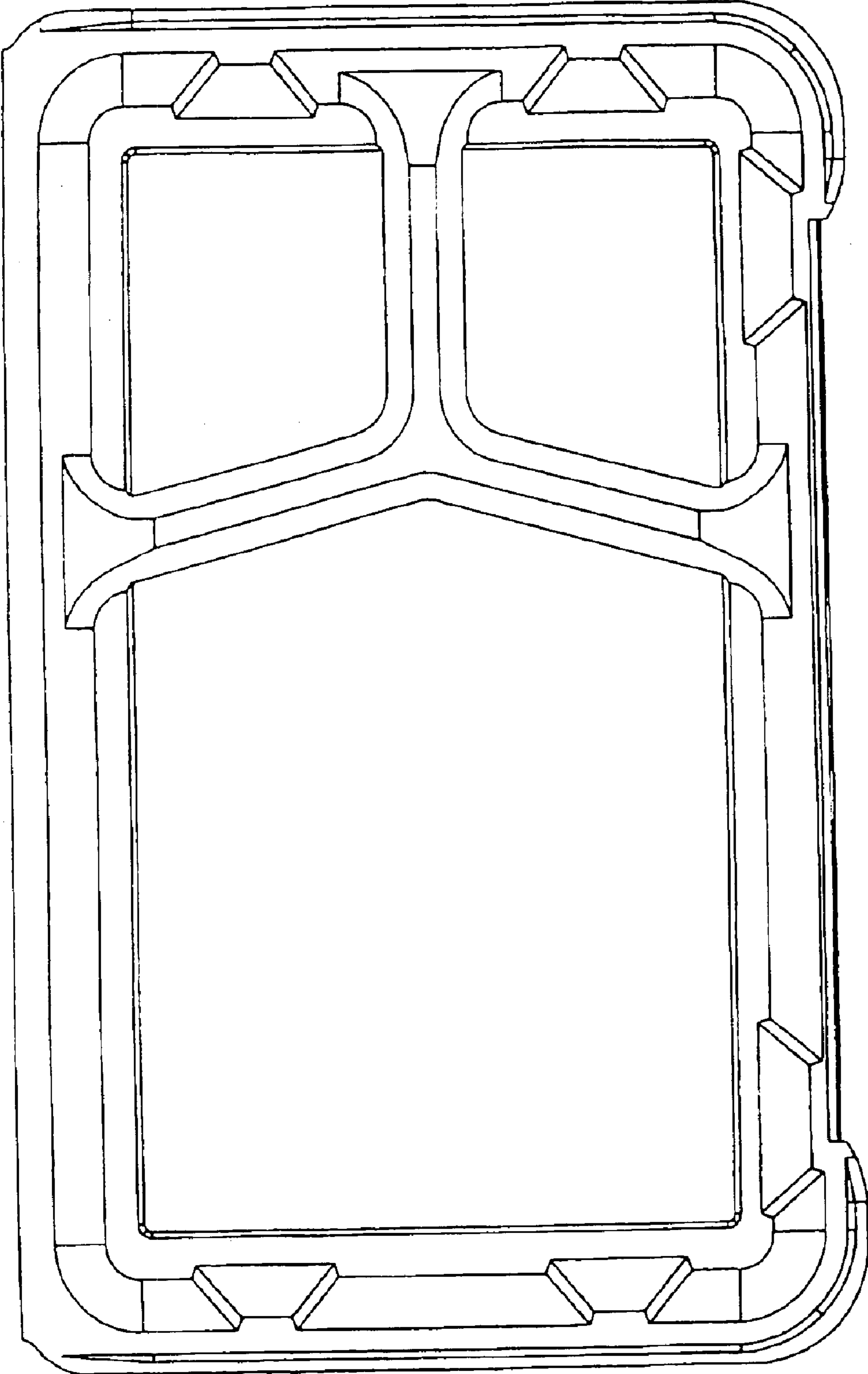


Fig. 6

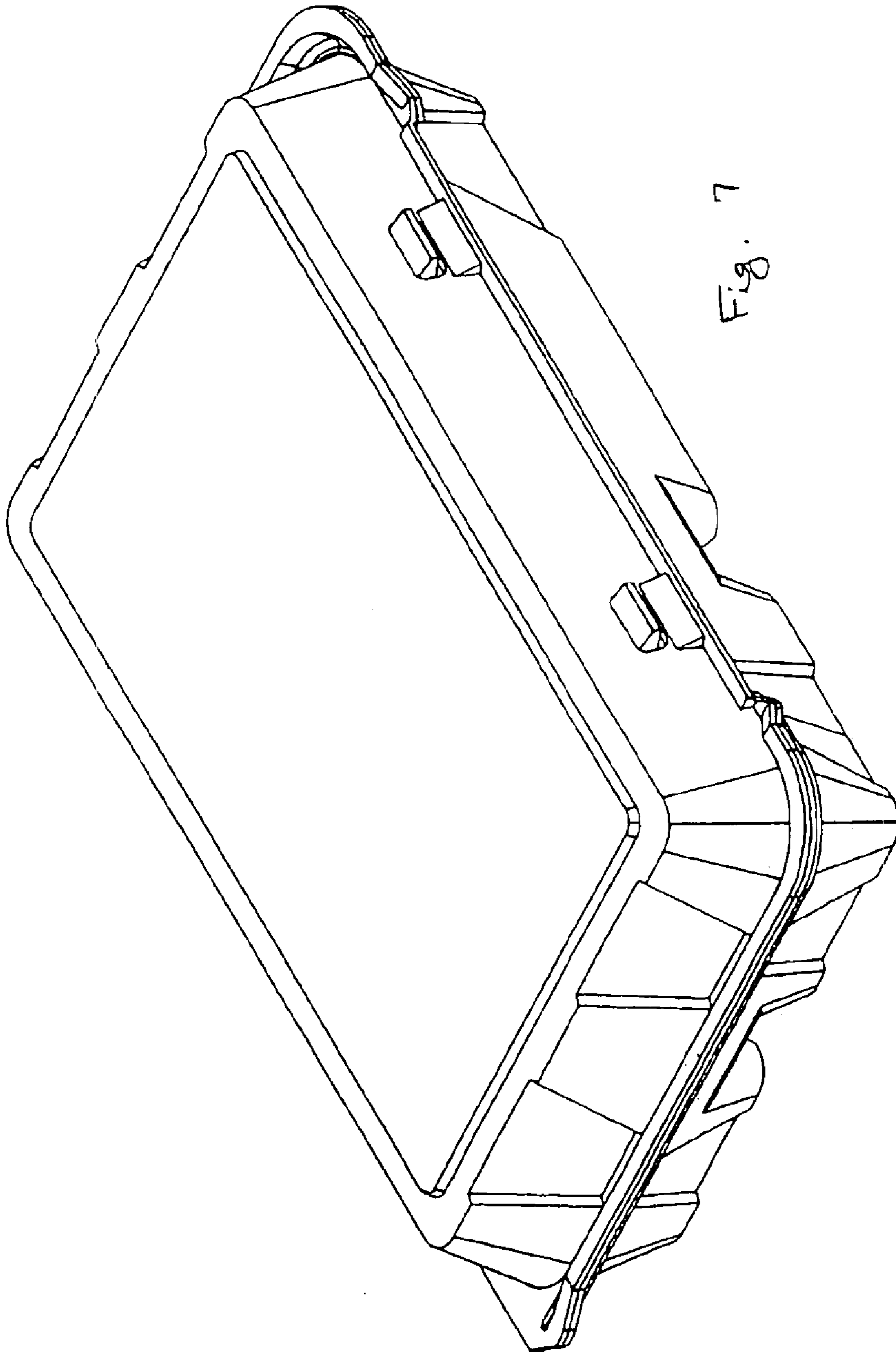
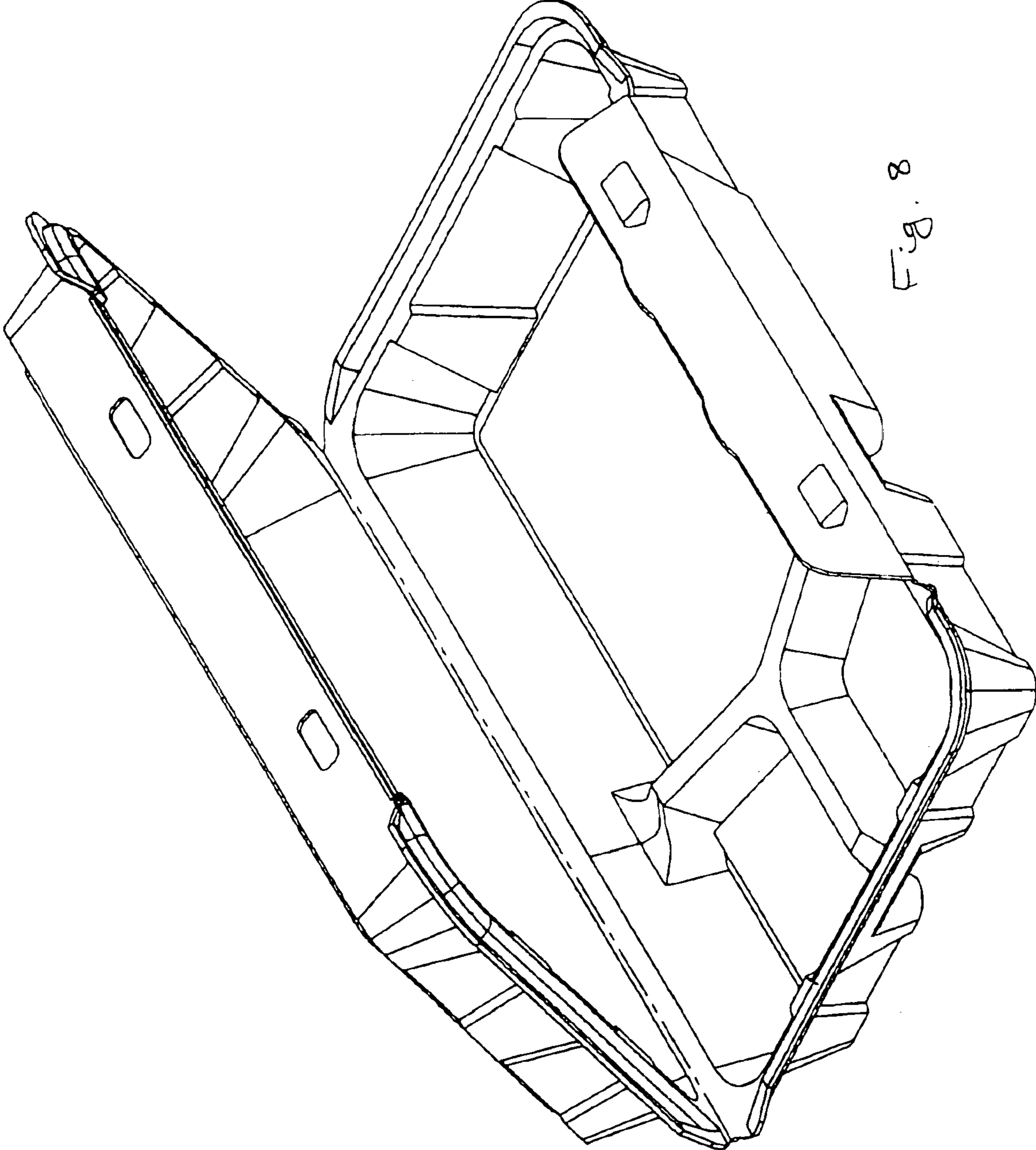


Fig. 7





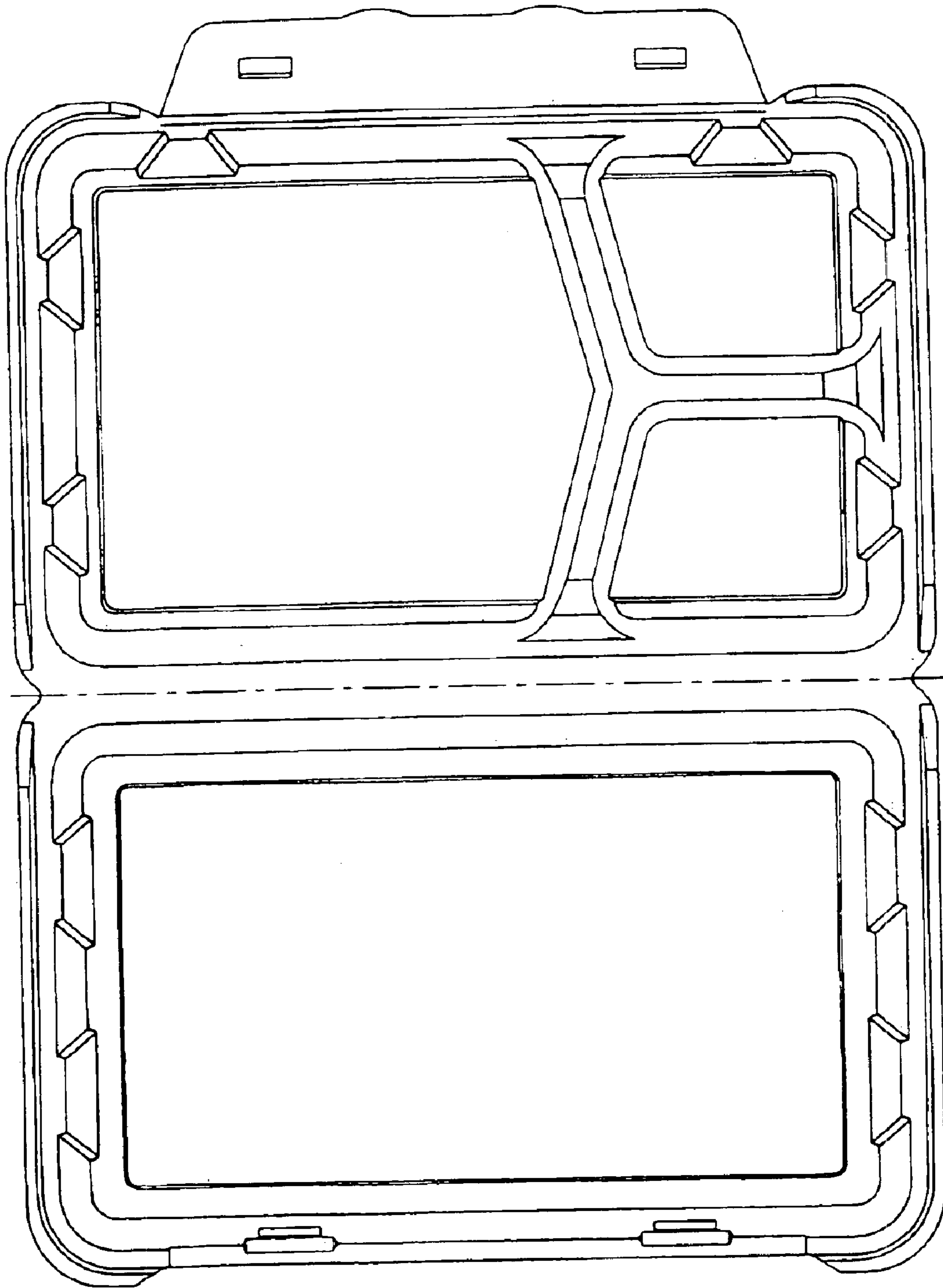


Fig. 9