

US00D505317S

(12) **United States Design Patent**  
**Harwanko**

(10) **Patent No.:** **US D505,317 S**

(45) **Date of Patent:** **\*\* May 24, 2005**

(54) **END CAP FOR CURTAIN ROD**

(75) **Inventor:** **Jeffrey Harwanko**, Wilmington, DE (US)

(73) **Assignee:** **Zenith Products Corp.**, New Castle, DE (US)

(\*\*) **Term:** **14 Years**

(21) **Appl. No.:** **29/211,576**

(22) **Filed:** **Aug. 18, 2004**

(51) **LOC (7) Cl.** ..... **08-05**

(52) **U.S. Cl.** ..... **D8/376; D8/378**

(58) **Field of Search** ..... **D8/376, 378, 310; D6/524; 211/86.01, 87.01; 428/28; D26/154**

(56) **References Cited**

**U.S. PATENT DOCUMENTS**

D443,813 S \* 6/2001 Harwanko ..... D8/376

\* cited by examiner

*Primary Examiner*—Holly Baynham

(74) *Attorney, Agent, or Firm*—Edgar A. Zarins; Lloyd D. Doigan

(57) **CLAIM**

The ornamental design for an end cap for curtain rod, as shown and described.

**DESCRIPTION**

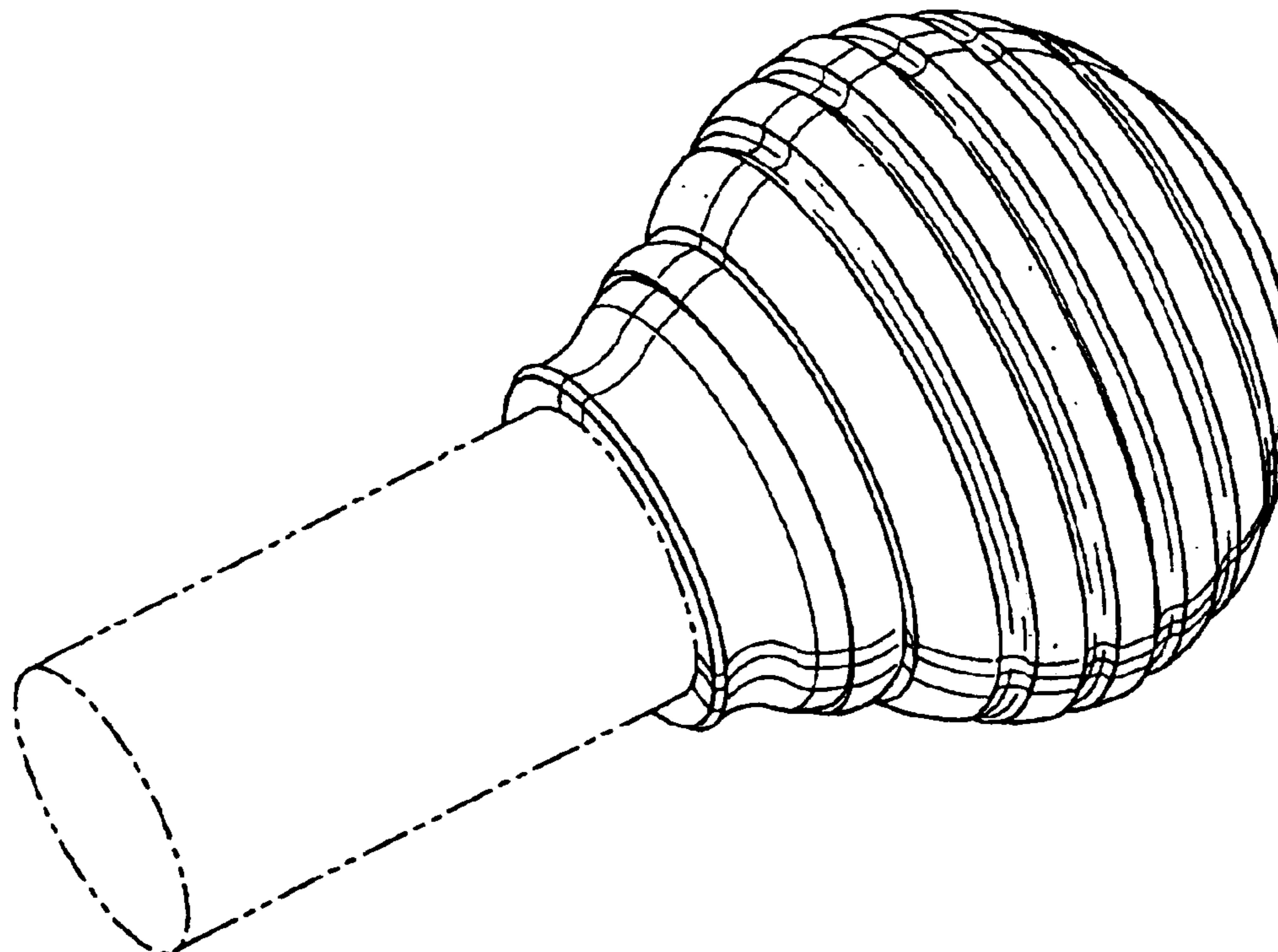
FIG. 1 is a perspective view of an end cap for curtain rod showing my new design;

FIG. 2 is a side view thereof; and,

FIG. 3 is an end view thereof.

The broken line showing of a partial pole is for illustrative purposes only and forms no part of the claimed design.

**1 Claim, 1 Drawing Sheet**



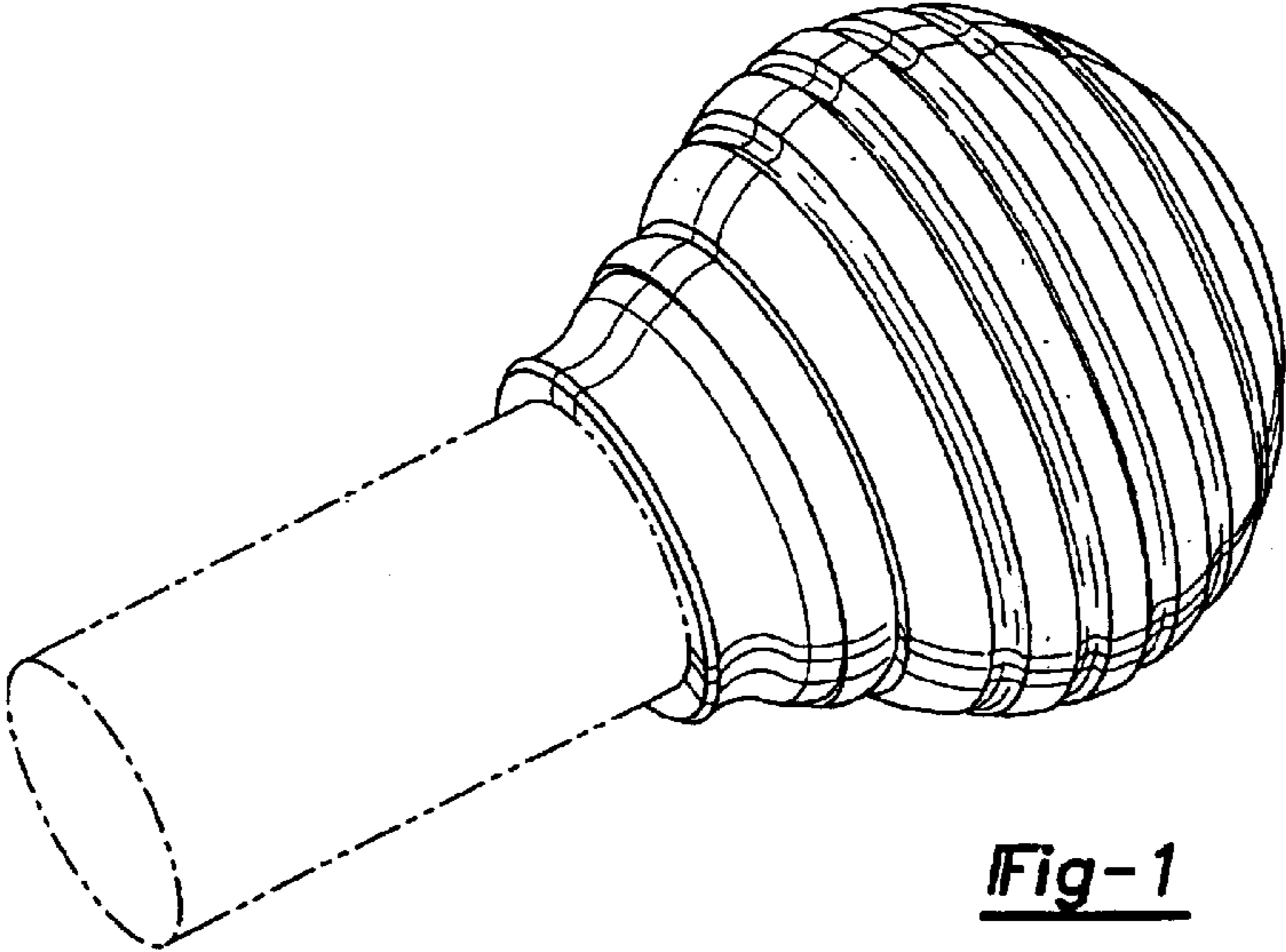


Fig-1

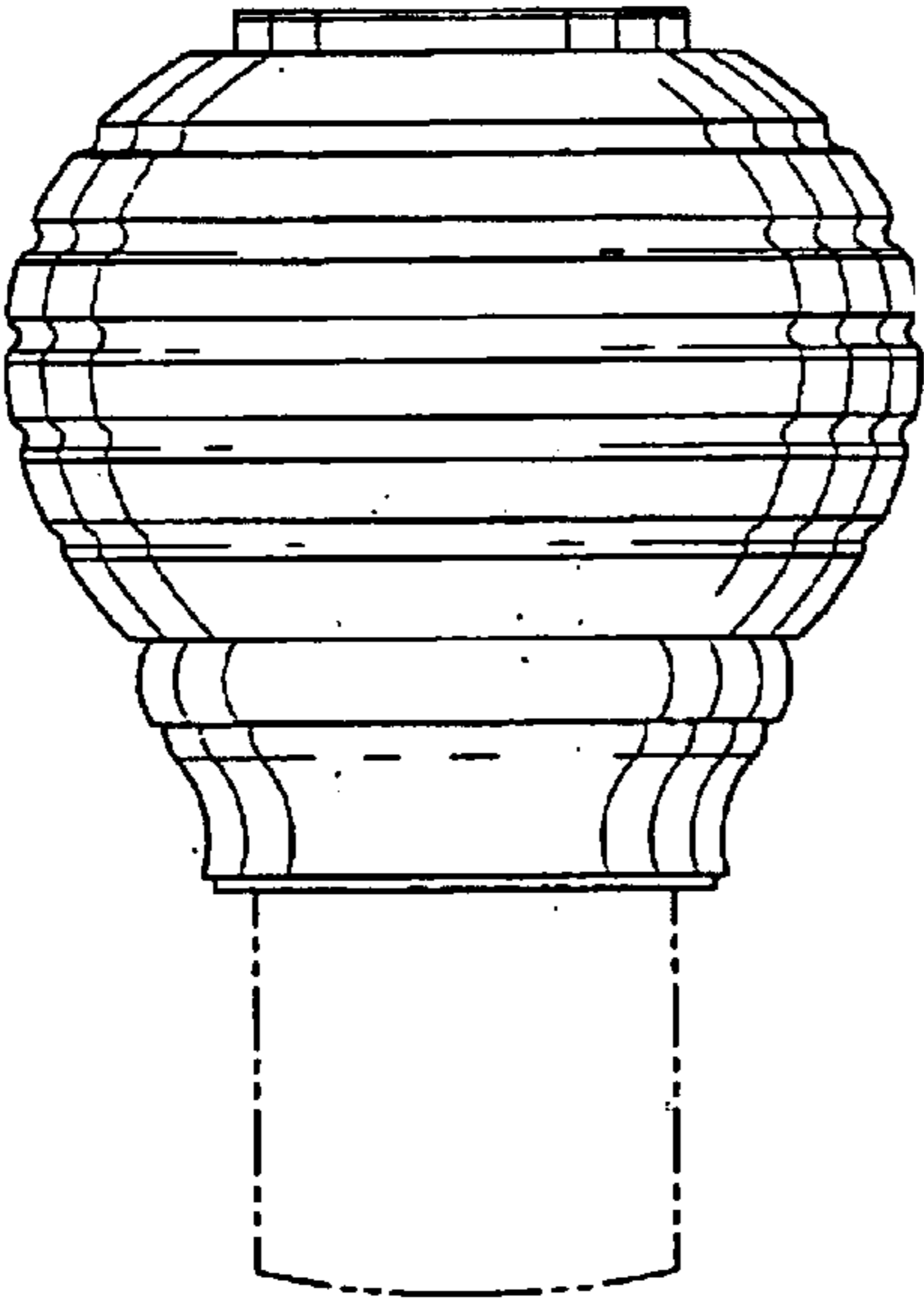


Fig-2

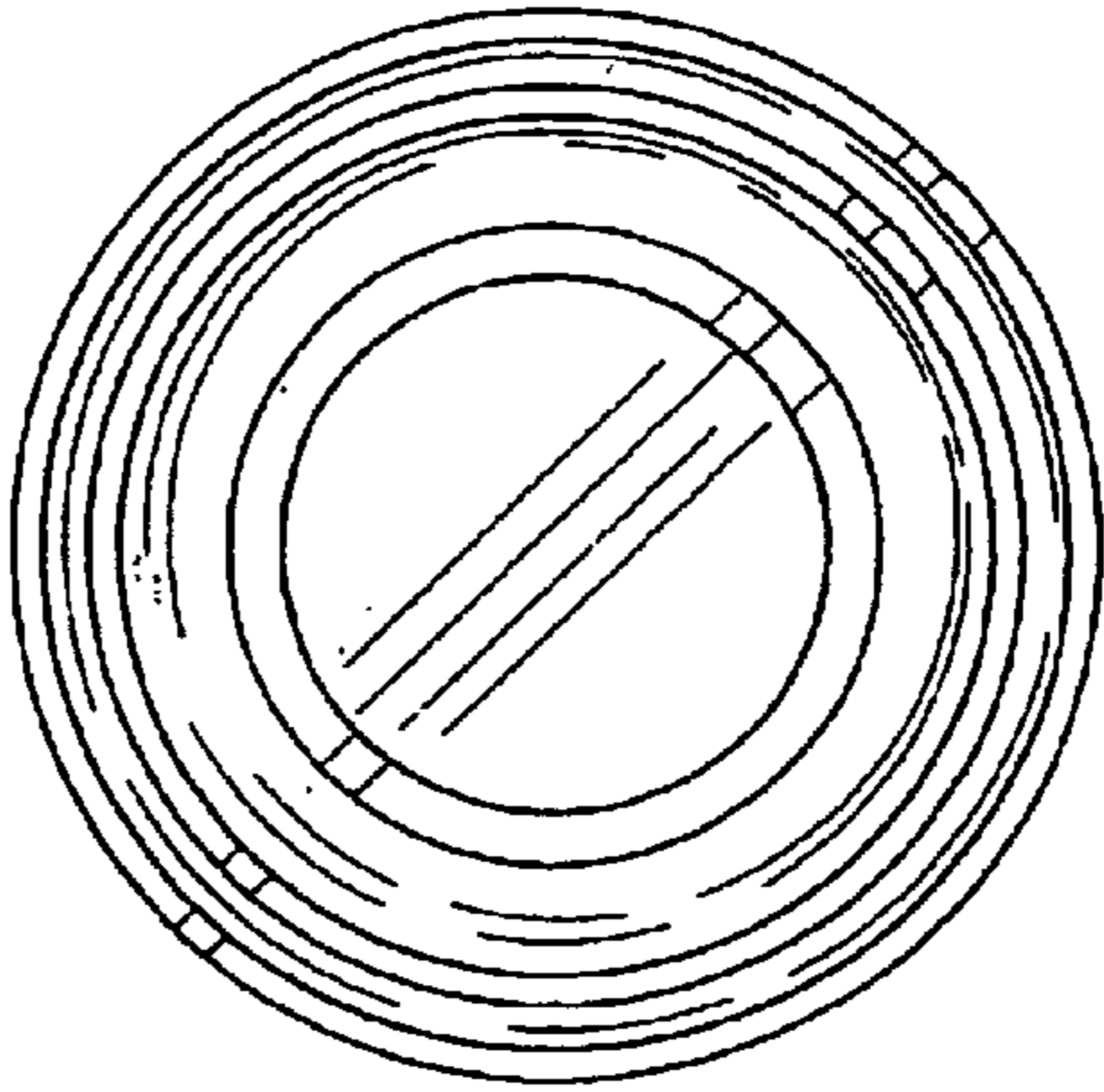


Fig-3