

US00D505316S

(12) **United States Design Patent**
Topel

(10) **Patent No.:** **US D505,316 S**

(45) **Date of Patent:** **** May 24, 2005**

(54) **TWIN ROLLER**

D460,346 S * 7/2002 Screen et al. D8/375
D470,748 S * 2/2003 Tsai D8/375

(75) Inventor: **Martin Topel**, Dusseldorf (DE)

* cited by examiner

(73) Assignee: **Tente GmbH & Co. KG**,
Wermelskirchen (DE)

Primary Examiner—Holly Baynham
(74) *Attorney, Agent, or Firm*—Martin A. Farber

(**) Term: **14 Years**

(57) **CLAIM**

(21) Appl. No.: **29/208,614**

The ornamental design for a twin roller, as shown and described.

(22) Filed: **Jun. 29, 2004**

DESCRIPTION

(30) **Foreign Application Priority Data**

May 14, 2004 (EM) 000182472

(51) **LOC (7) Cl.** **08-05**

(52) **U.S. Cl.** **D8/375**

(58) **Field of Search** D8/375; 16/18 CG,
16/45-47; 190/18 A

FIG. 1 is a front elevational view of a twin roller in accordance with my invention;
FIG. 2 is a right-side elevational view of the twin roller of FIG. 1;
FIG. 3 is a rear elevational view of the twin roller of FIG. 1;
FIG. 4 is a left-side elevational view of the twin roller of FIG. 1;
FIG. 5 is a top view of the twin roller of FIG. 1;
FIG. 6 is a bottom view of the twin roller of FIG. 1; and,
FIG. 7 is a perspective view showing rear and side portions of the twin roller of FIG. 1.

(56) **References Cited**

U.S. PATENT DOCUMENTS

D308,161 S * 5/1990 Daniels D8/375
D456,697 S * 5/2002 Holbrook D8/375
D457,809 S * 5/2002 Holbrook D8/375

1 Claim, 2 Drawing Sheets

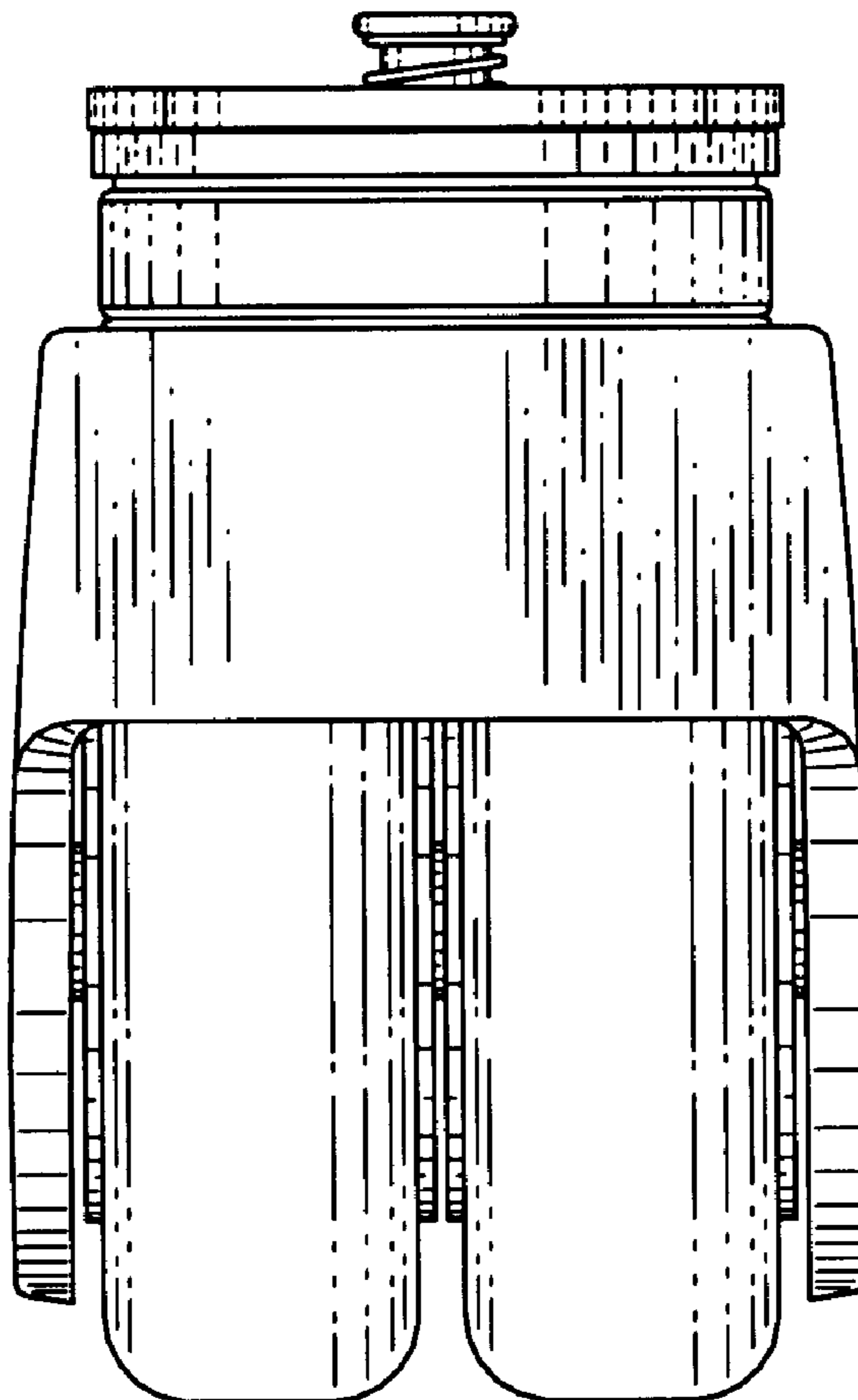


Fig. 1

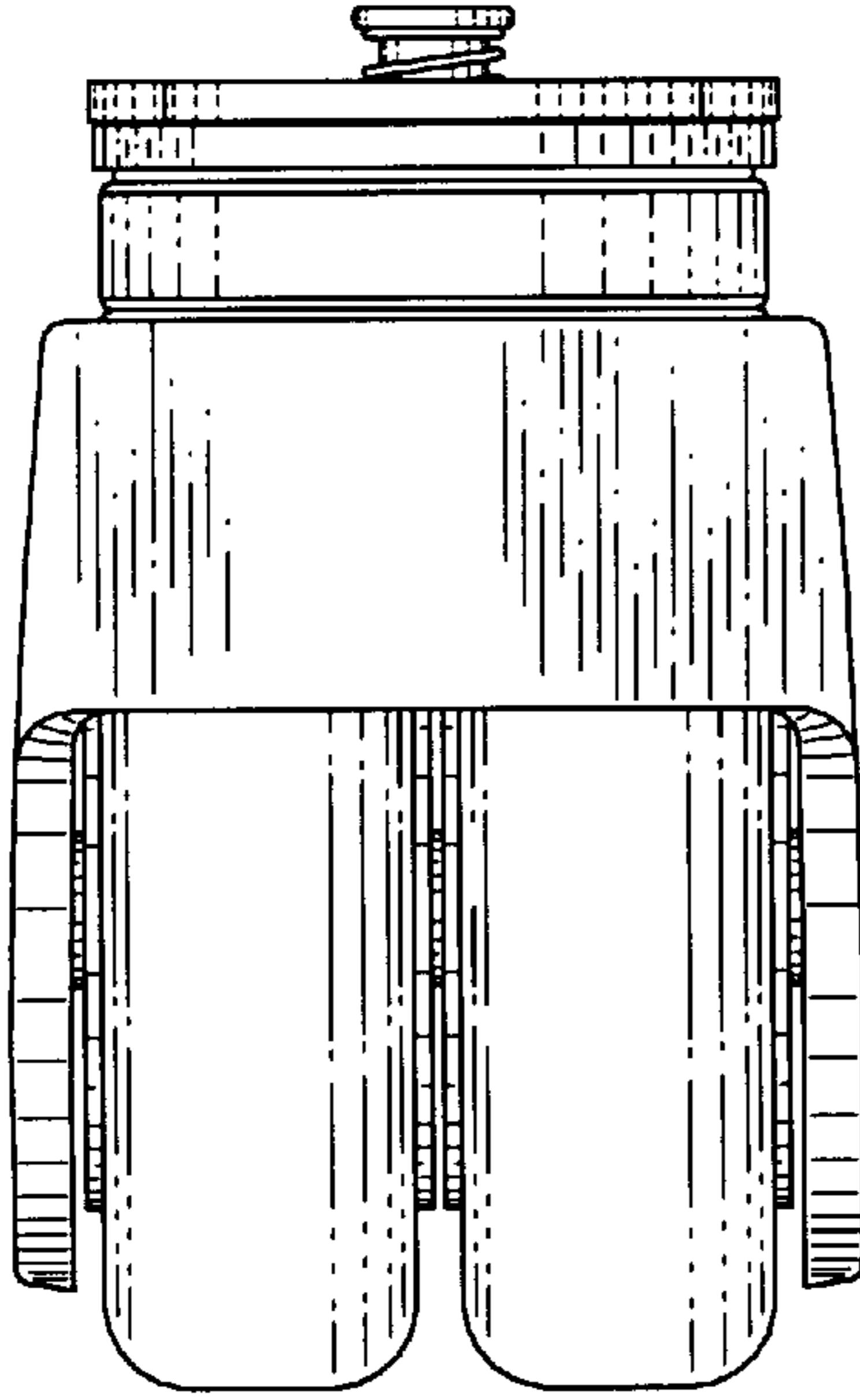


Fig. 2

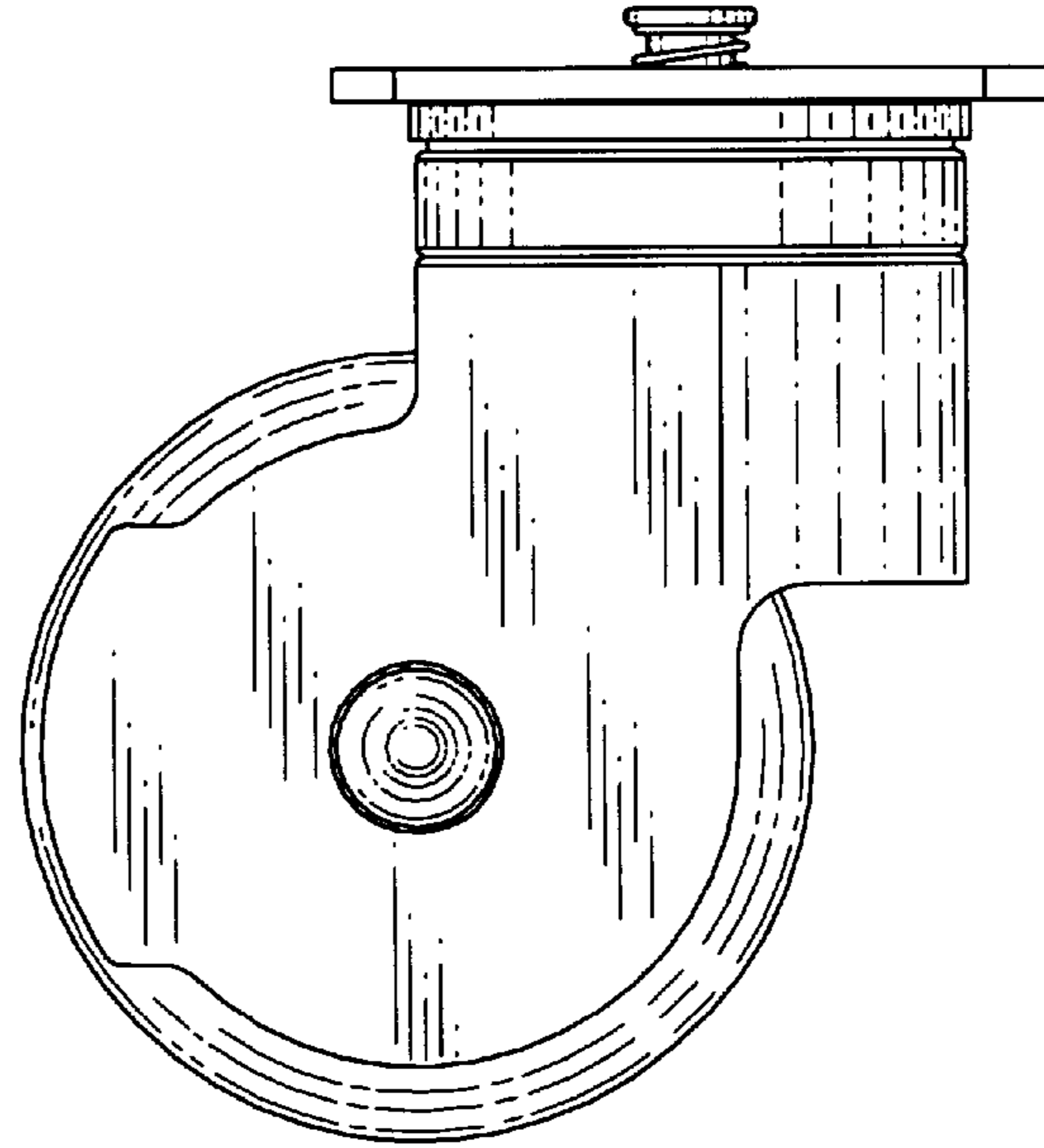


Fig. 3

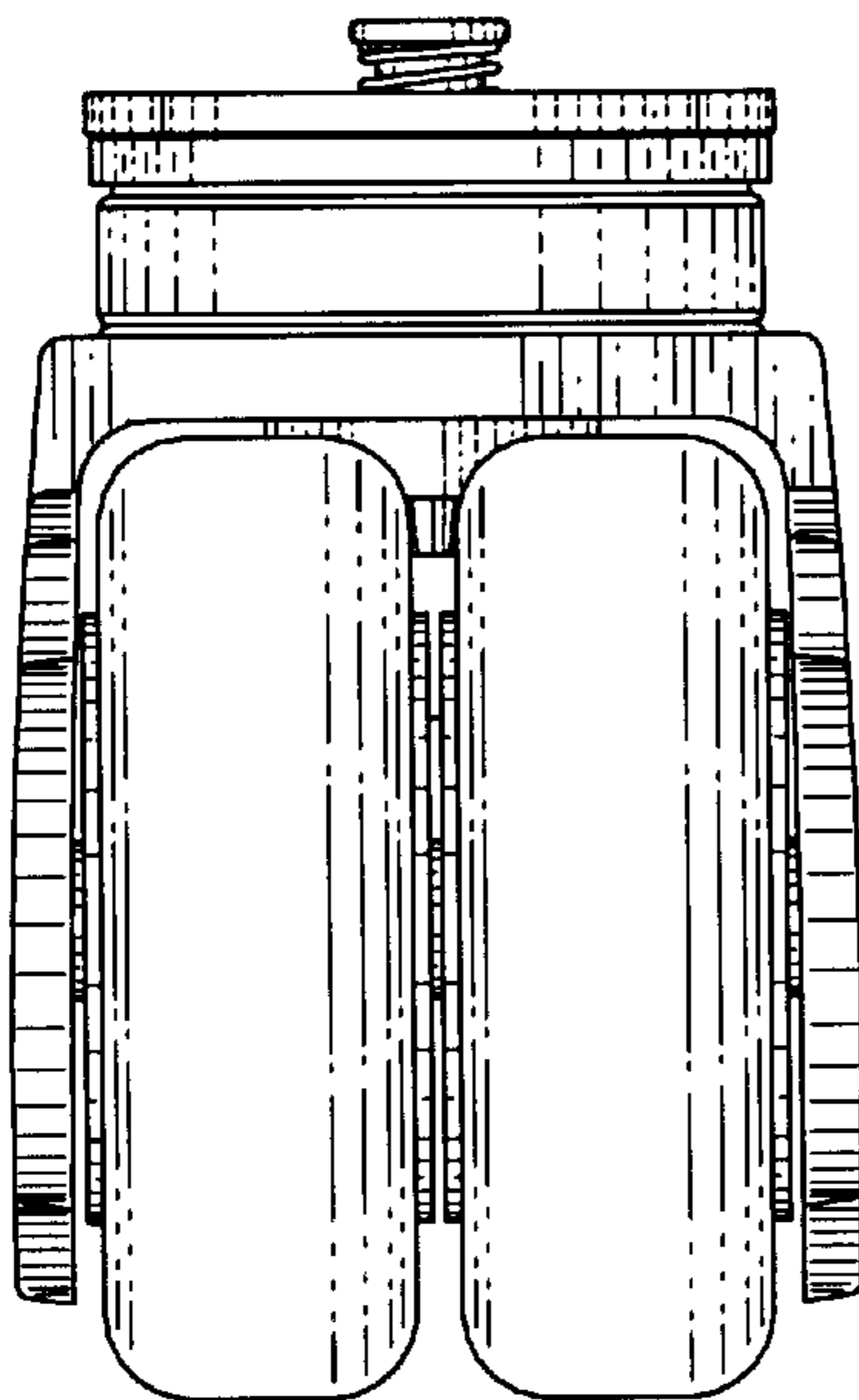


Fig. 4

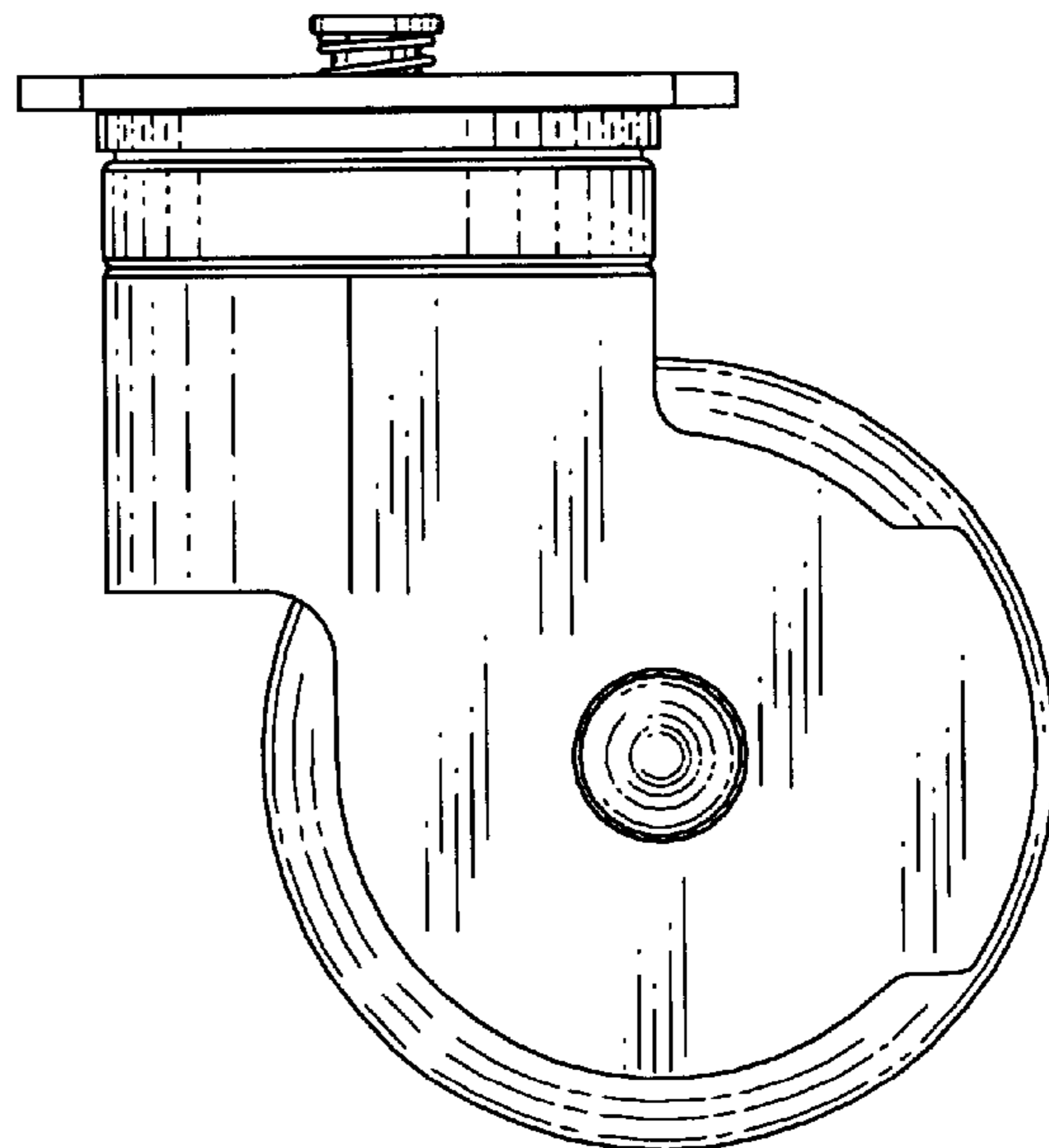


Fig. 5

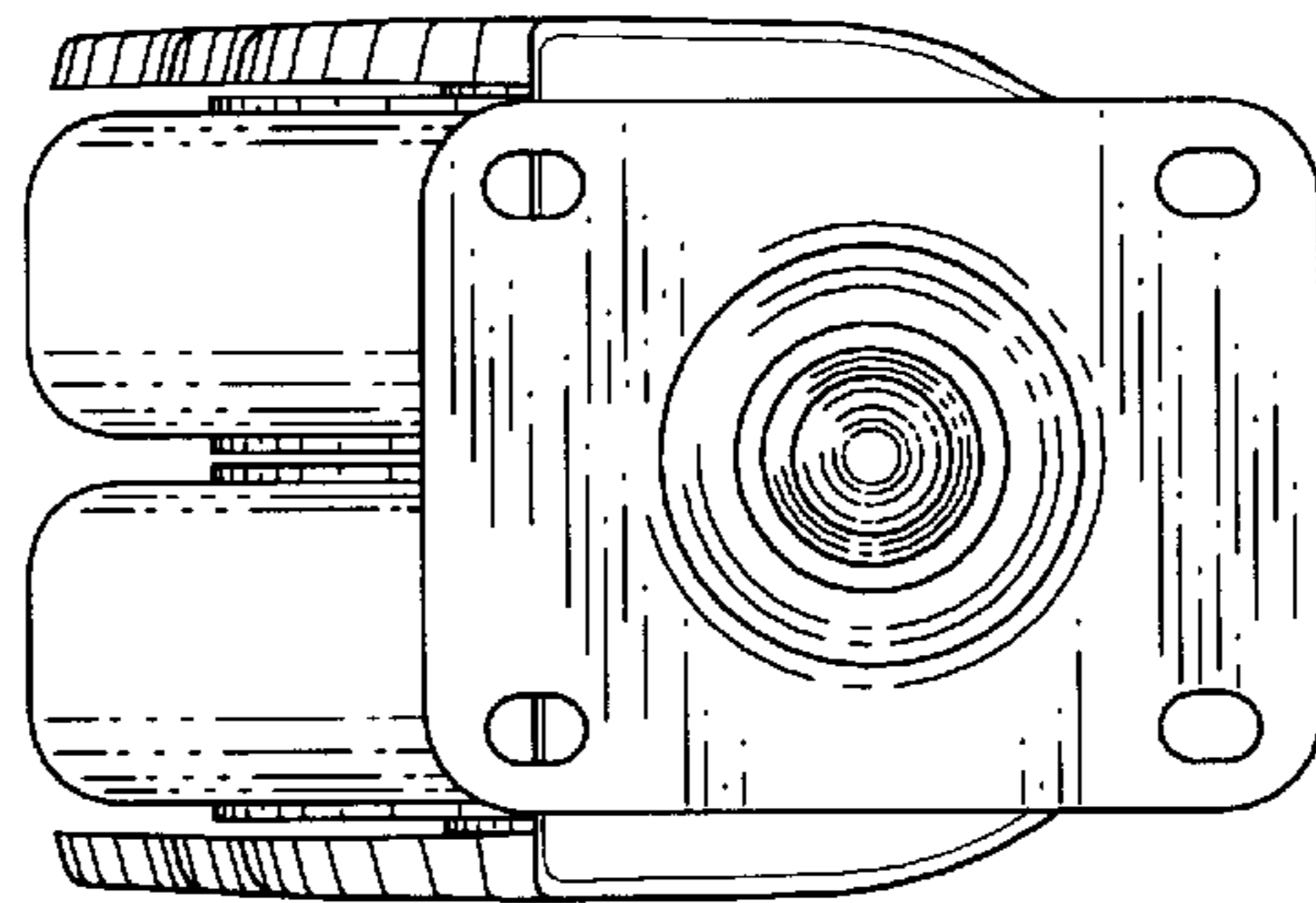


Fig. 6

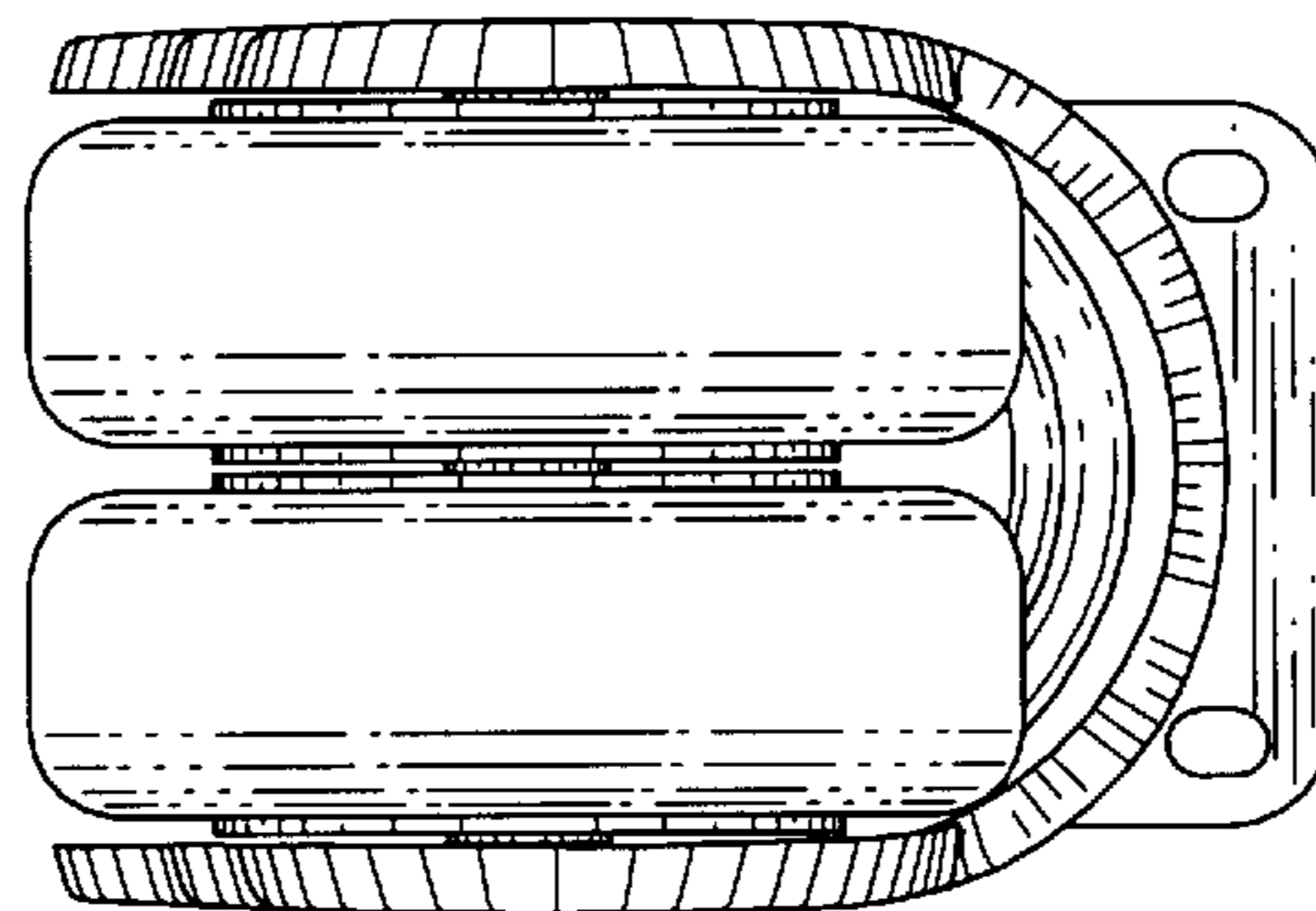


Fig. 7

