



US00D505313S

(12) **United States Design Patent**  
**Hart**

(10) **Patent No.:** **US D505,313 S**

(45) **Date of Patent:** **\*\* May 24, 2005**

(54) **HOSE REEL**

D490,693 S \* 6/2004 McMillan ..... D8/359

(75) Inventor: **Ronald D. Hart**, Santa Ynez, CA (US)

\* cited by examiner

(73) Assignee: **Hart Systems, Inc.**, Gig Harbor, WA (US)

*Primary Examiner*—Jeffrey Asch

*Assistant Examiner*—Austin Murphy

(\*\*) Term: **14 Years**

(74) *Attorney, Agent, or Firm*—SoCal IP Law Group; Steven C. Sereboff; Joel G. Landau

(21) Appl. No.: **29/213,455**

(57) **CLAIM**

(22) Filed: **Sep. 17, 2004**

The ornamental design of a hose reel, as shown and described.

(51) **LOC (7) Cl.** ..... **08-05**

(52) **U.S. Cl.** ..... **D8/359; D8/358**

(58) **Field of Search** ..... D8/258, 359; D22/140, D22/137; D15/138, 78; D14/484; D34/24; 242/614, 403.1, 405.3, 388.4, 388.2, 118.7; 24/71 R; 137/355.27; 254/213

**DESCRIPTION**

(56) **References Cited**

**U.S. PATENT DOCUMENTS**

|           |   |   |         |                       |           |
|-----------|---|---|---------|-----------------------|-----------|
| 3,942,741 | A | * | 3/1976  | Hussar et al. ....    | 242/118.7 |
| D240,192  | S | * | 6/1976  | Balmer, Jr. ....      | D14/484   |
| D247,442  | S | * | 3/1978  | Hiraishi et al. ....  | D22/140   |
| 4,083,621 | A | * | 4/1978  | Davidson et al. ....  | 439/501   |
| D286,610  | S | * | 11/1986 | Brusadin ....         | D8/359    |
| D288,773  | S | * | 3/1987  | Ward ....             | D8/359    |
| 5,007,598 | A | * | 4/1991  | Spear et al. ....     | 242/403.1 |
| D317,113  | S | * | 5/1991  | Fowler ....           | D8/358    |
| D330,506  | S | * | 10/1992 | Clivio ....           | D8/359    |
| D334,334  | S | * | 3/1993  | Jarry ....            | D8/359    |
| D341,770  | S | * | 11/1993 | Spear et al. ....     | D8/359    |
| D349,039  | S | * | 7/1994  | Goodman et al. ....   | D8/359    |
| D365,012  | S | * | 12/1995 | Sather ....           | D8/359    |
| D390,449  | S | * | 2/1998  | Whitehead et al. .... | D8/359    |
| D400,083  | S | * | 10/1998 | Bodine ....           | D8/359    |
| 5,971,317 | A | * | 10/1999 | Jaros ....            | 242/614   |
| D422,197  | S | * | 4/2000  | Kovacik et al. ....   | D8/359    |
| D483,248  | S | * | 12/2003 | Roman ....            | D8/359    |

A portion of the disclosure of this patent document contains material which is subject to copyright protection. This patent document may show and/or describe matter which is or may become trade dress of the owner. The copyright and trade dress owner has no objection to the facsimile reproduction by any one of the patent disclosure as it appears in the Patent and Trademark Office patent files or records, but otherwise reserves all copyright and trade dress rights whatsoever.

The nature and intended use for the hose reel is to elegantly store a garden hose.

FIG. 1 is a perspective view of a house reel design taken from the upper right side.

FIG. 2 is a perspective view of a hose reel design taken from the right side.

FIG. 3 is a perspective view of a hose reel taken from the left side.

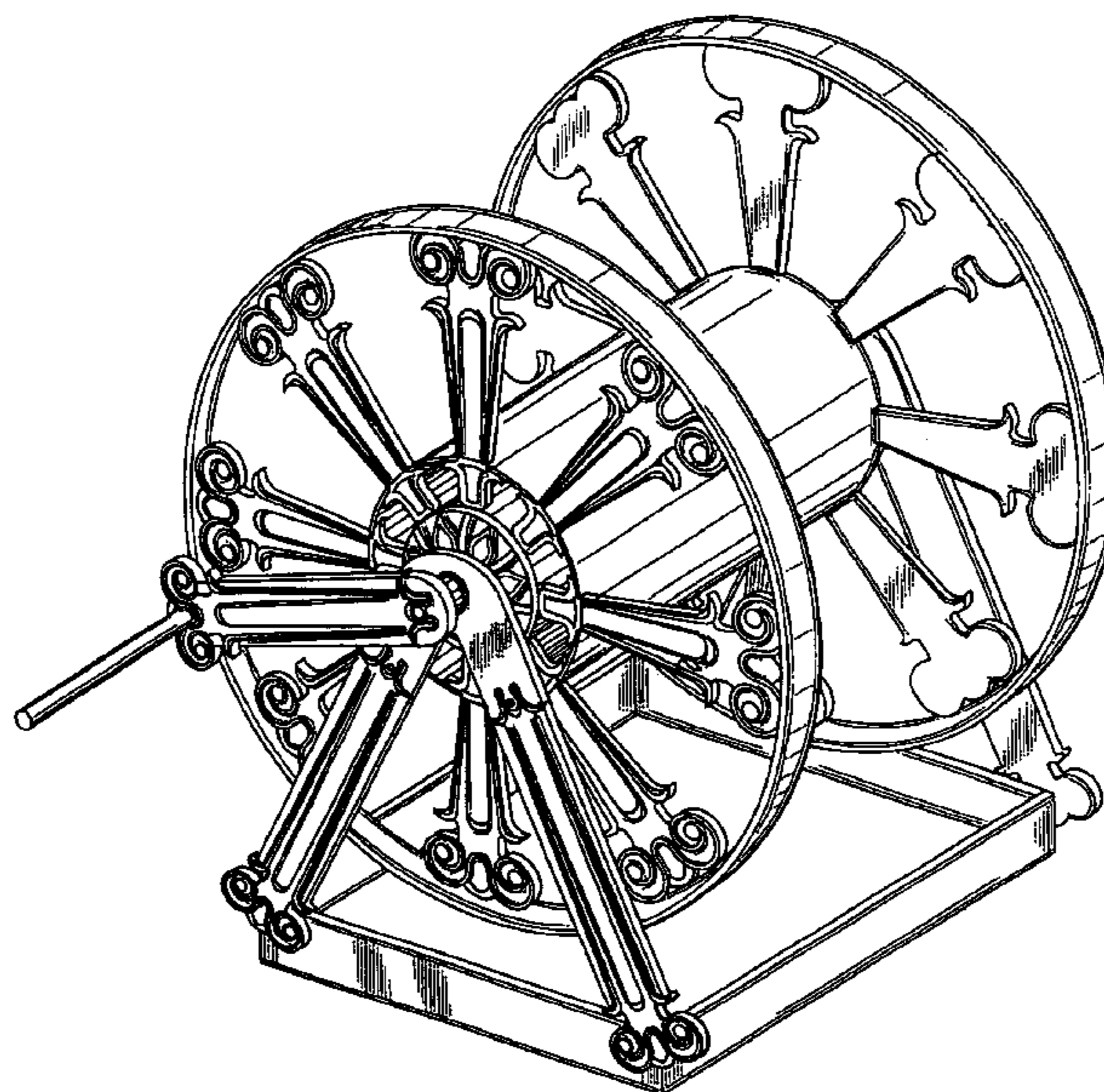
FIG. 4 is a perspective view of a hose reel taken from the front side.

FIG. 5 is a perspective view of a hose reel taken from the back side; and,

FIG. 6 is a top plan view of a hose reel.

The handle of the hose reel has been omitted from FIG. 3 for convenience of illustration.

**1 Claim, 6 Drawing Sheets**



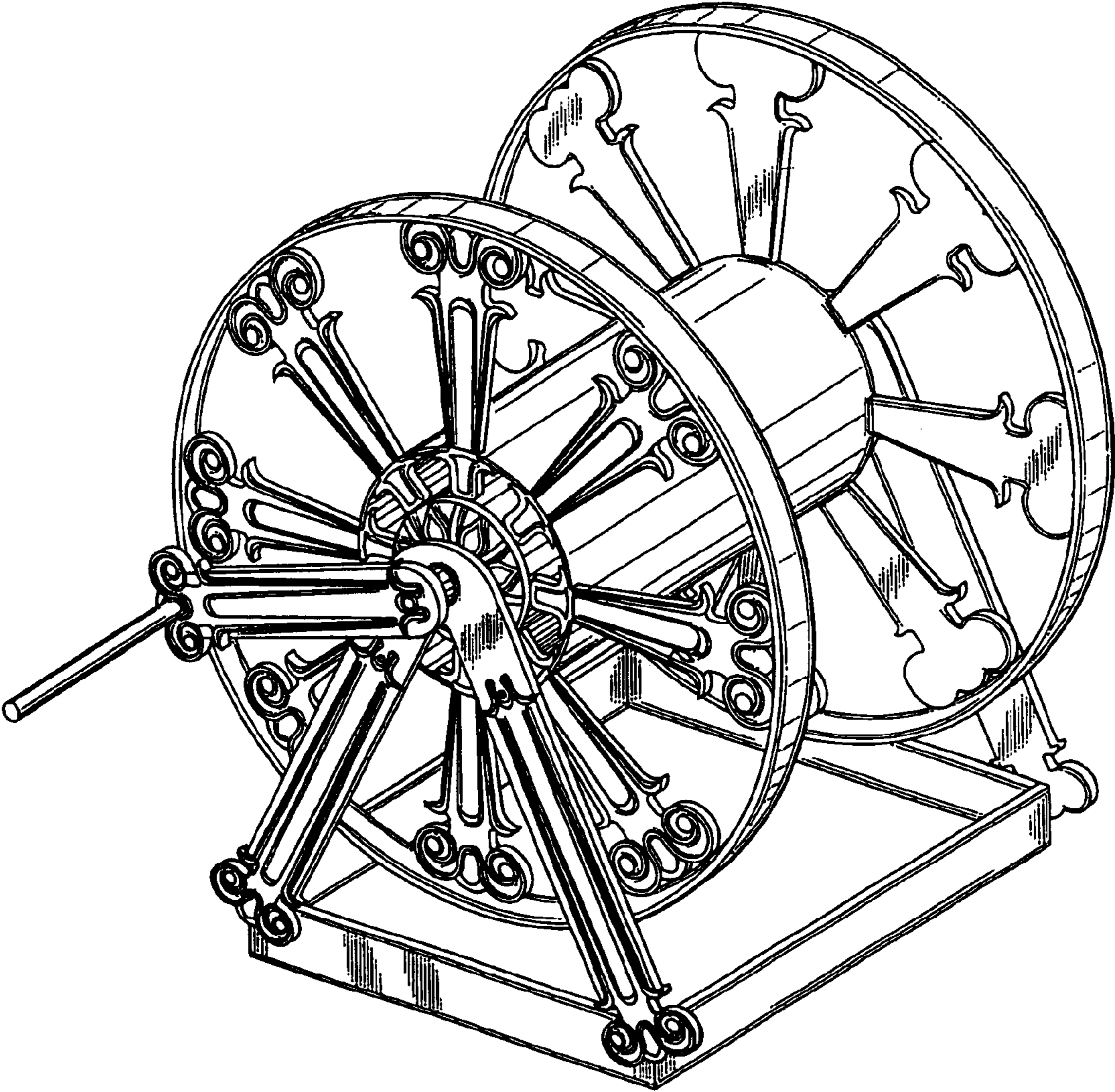


FIG. 1



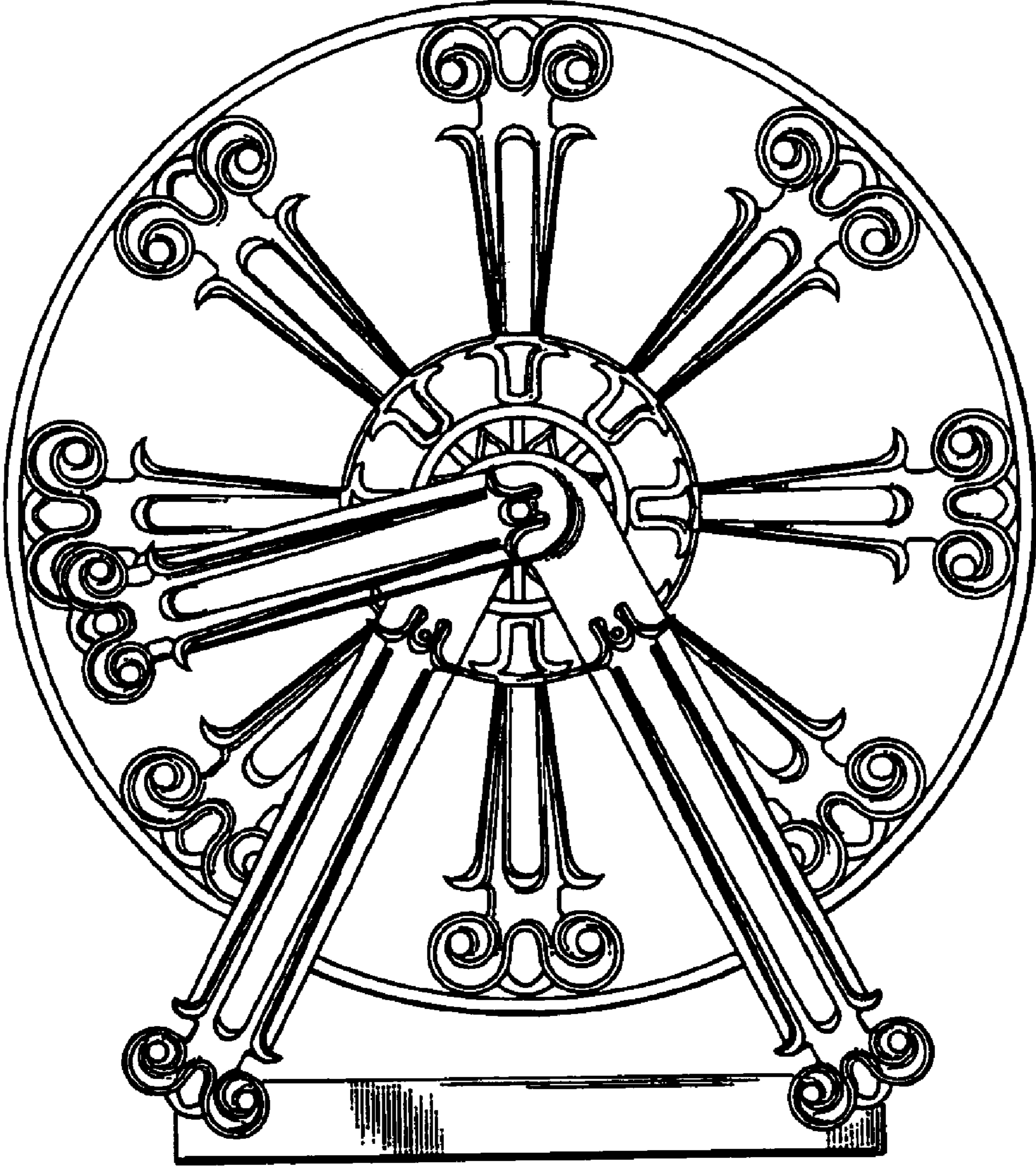


FIG. 2

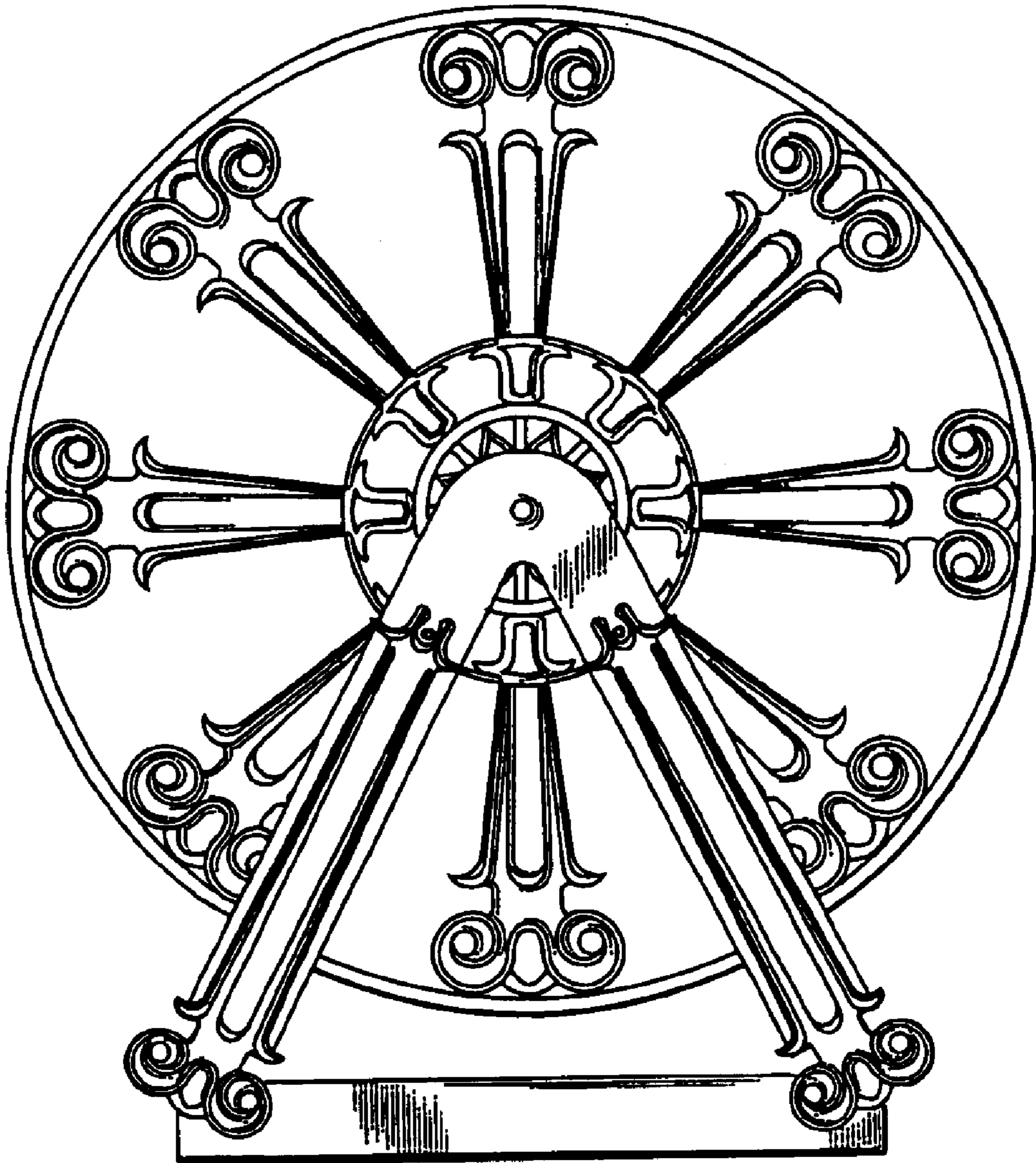


FIG. 3

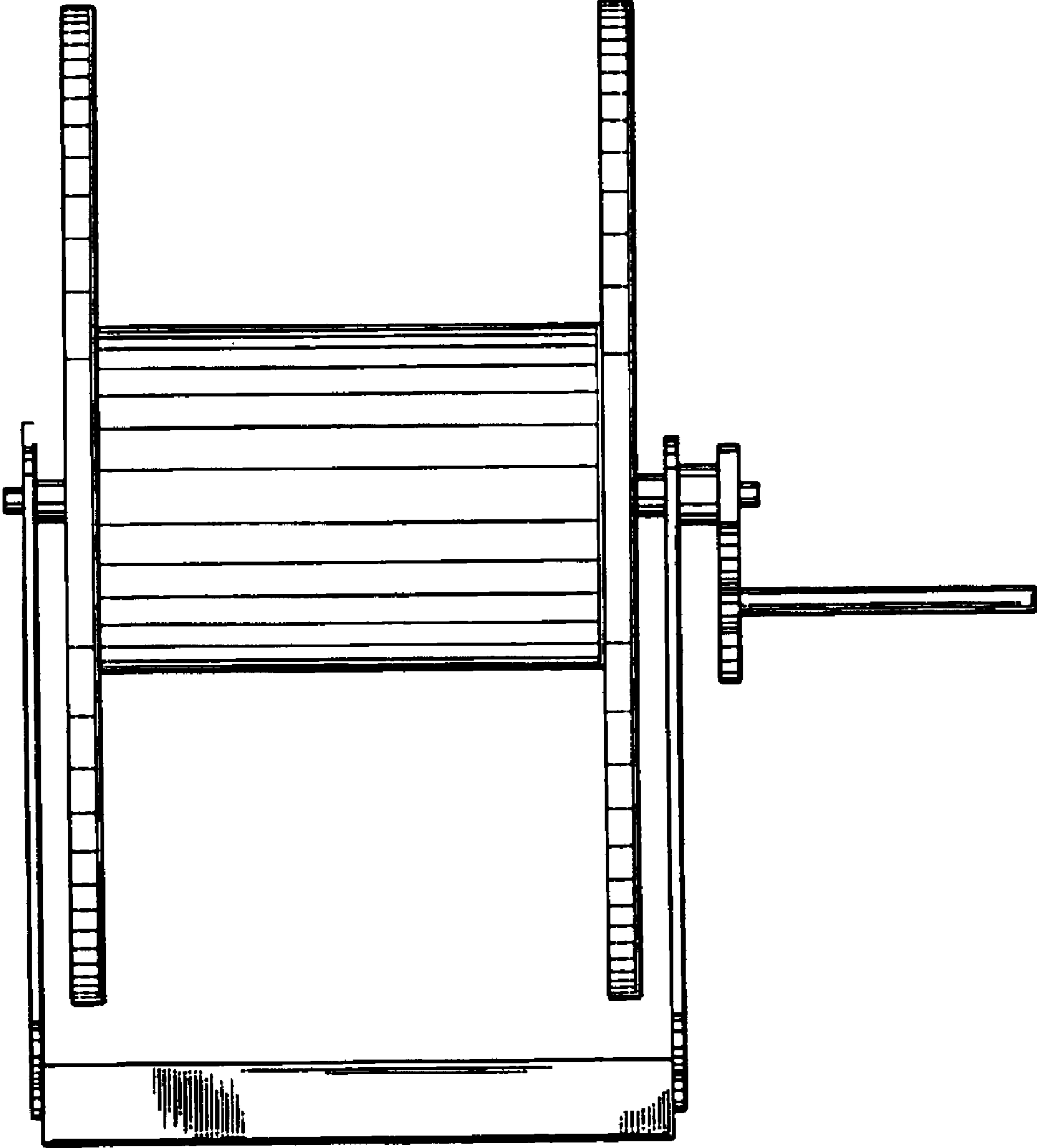


FIG. 4

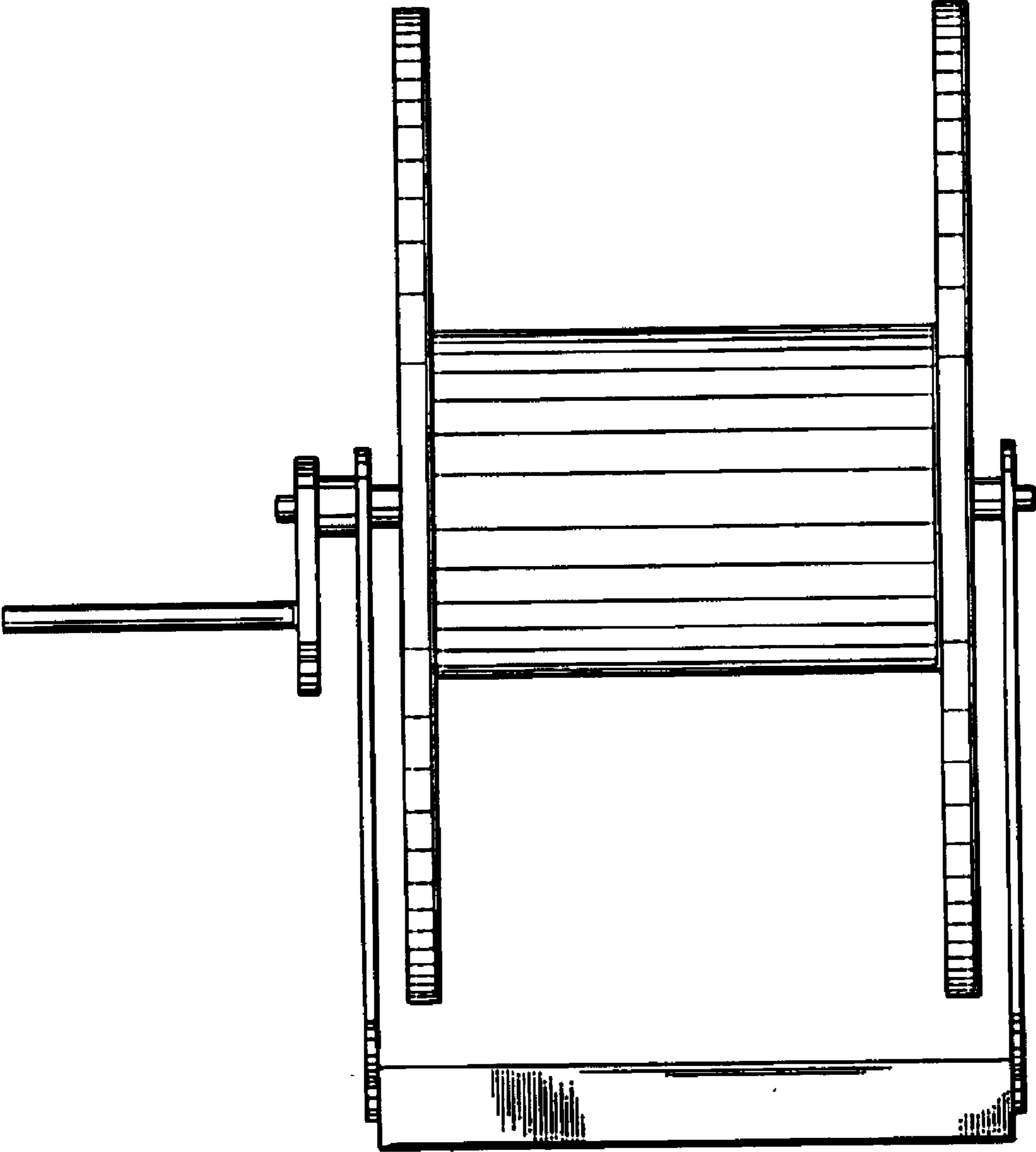


FIG. 5

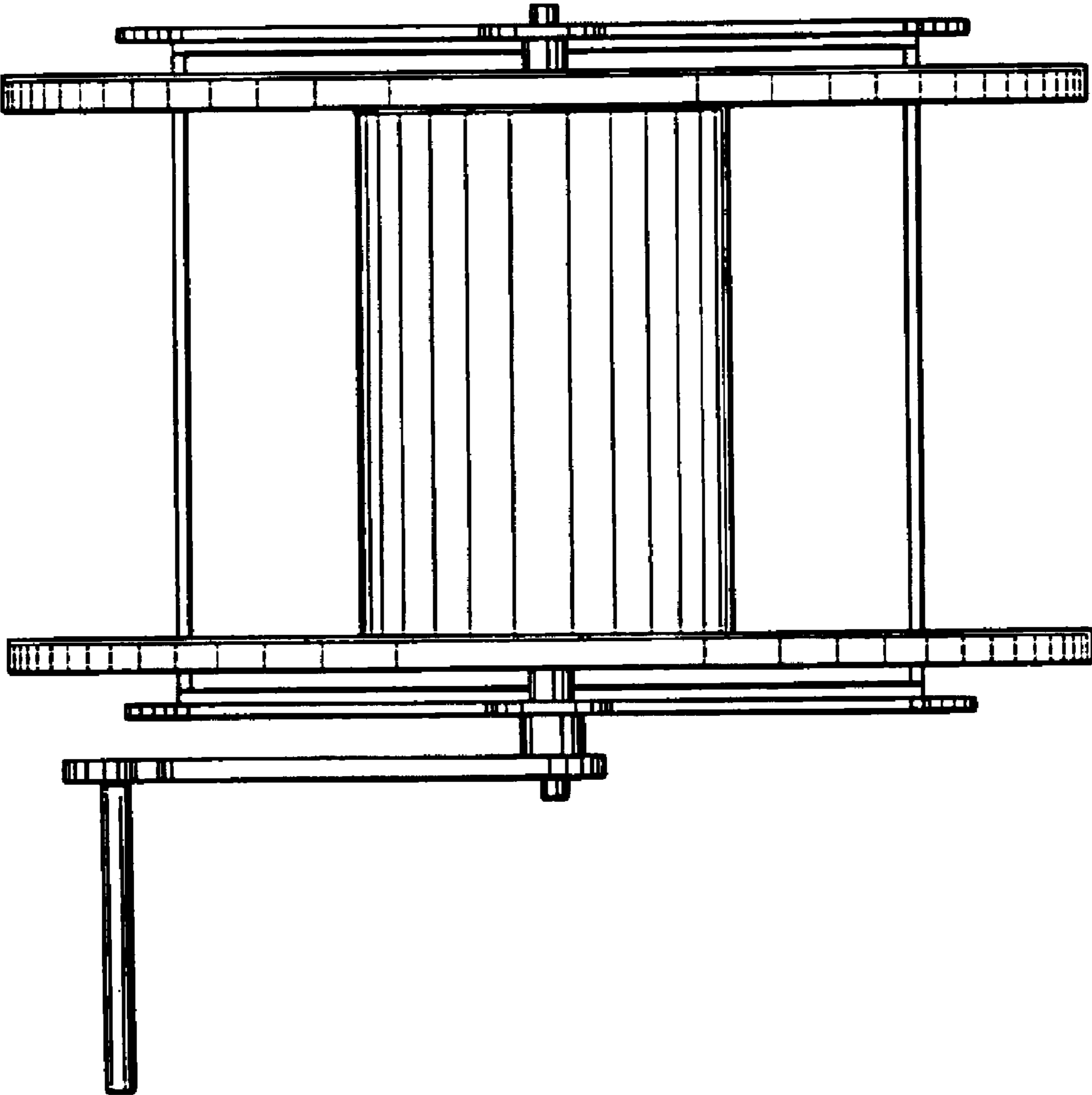


FIG. 6