

US00D505309S

(12) **United States Design Patent**
Brasseur et al.

(10) **Patent No.: US D505,309 S**

(45) **Date of Patent: ** May 24, 2005**

(54) **DRAG CAP FOR A PLASMA ARC TORCH**

(75) Inventors: **Jonathan Brasseur**, Cornish, NH (US);
Carl R. Mack, Claremont, NH (US);
Kevin D. Horner-Richardson, Cornish,
NH (US)

(73) Assignee: **Thermal Dynamics Corporation**, West
Lebanon, NH (US)

(**) Term: **14 Years**

(21) Appl. No.: **29/176,771**

(22) Filed: **Feb. 27, 2003**

Related U.S. Application Data

(63) Continuation-in-part of application No. 29/175,107, filed on
Jan. 30, 2003, now abandoned.

(51) **LOC (7) Cl.** **08-05**

(52) **U.S. Cl.** **D8/30; D15/144**

(58) **Field of Search** **D8/30; D15/144;**
219/121.48

(56) **References Cited**

U.S. PATENT DOCUMENTS

D299,352 S * 1/1989 Spaulding et al. D15/144

5,147,997 A * 9/1992 Haberman 219/121.5
5,258,599 A * 11/1993 Moerke 219/121.48
5,266,776 A * 11/1993 Boisvert et al. 219/121.39
5,726,415 A * 3/1998 Luo et al. 219/121.48
5,747,767 A * 5/1998 Severance et al. 219/121.5
5,856,647 A * 1/1999 Luo 219/121.5
D407,726 S * 4/1999 Zigliotto D15/144
5,965,040 A * 10/1999 Luo et al. 219/121.5
D420,374 S * 2/2000 Zigliotto D15/144
6,163,008 A * 12/2000 Roberts et al. 219/121.48

* cited by examiner

Primary Examiner—Philip S. Hyder

(74) *Attorney, Agent, or Firm*—Harness, Dickey & Pierce,
P.L.C.

(57) **CLAIM**

The ornamental design for a drag cap for a plasma arc torch,
as shown and described.

DESCRIPTION

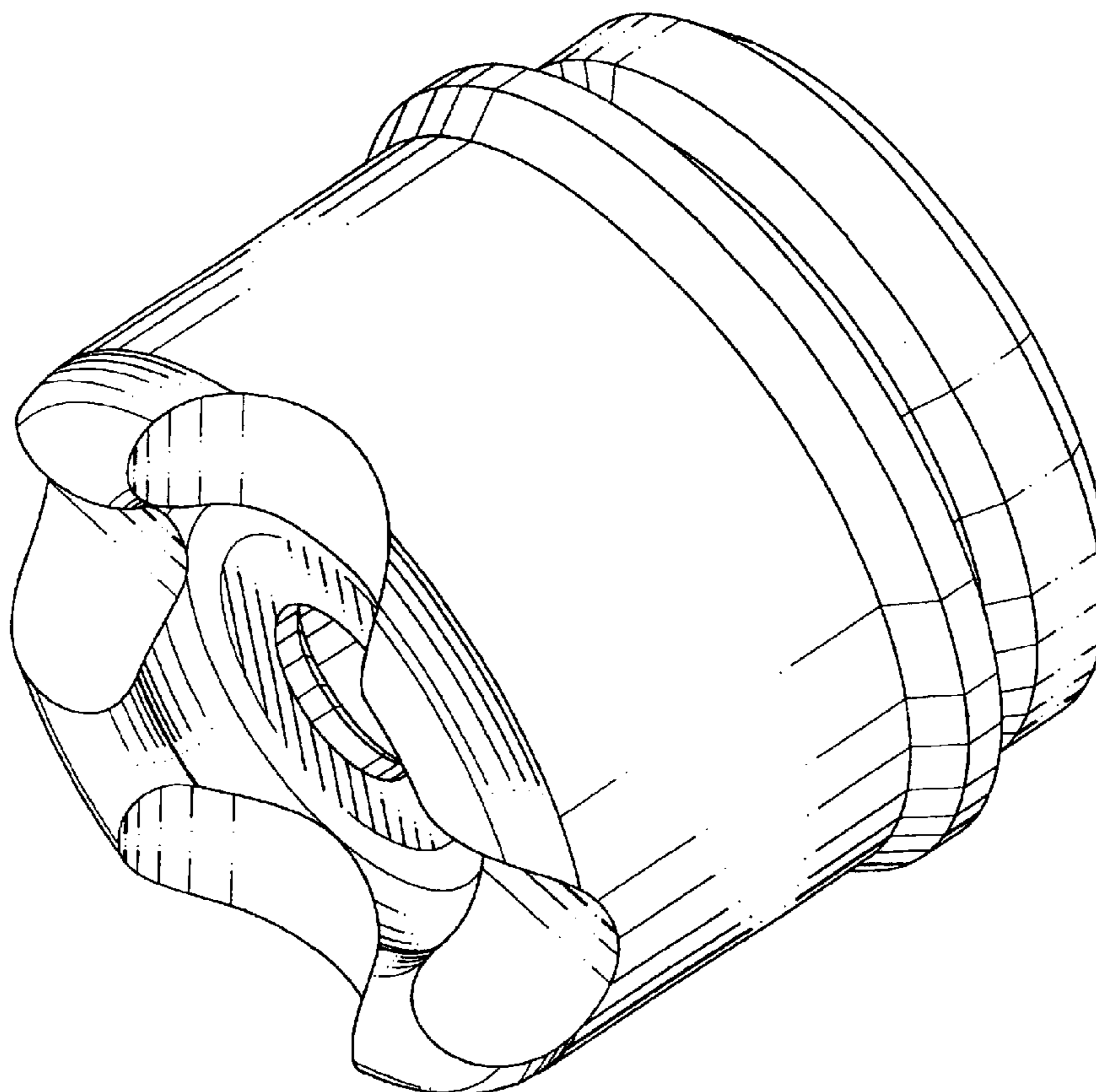
FIG. 1 is a perspective view of the drag cap for a plasma arc
torch;

FIG. 2 is a side elevation view thereof;

FIG. 3 is a top plan view thereof; and,

FIG. 4 is a bottom elevation view thereof.

1 Claim, 4 Drawing Sheets



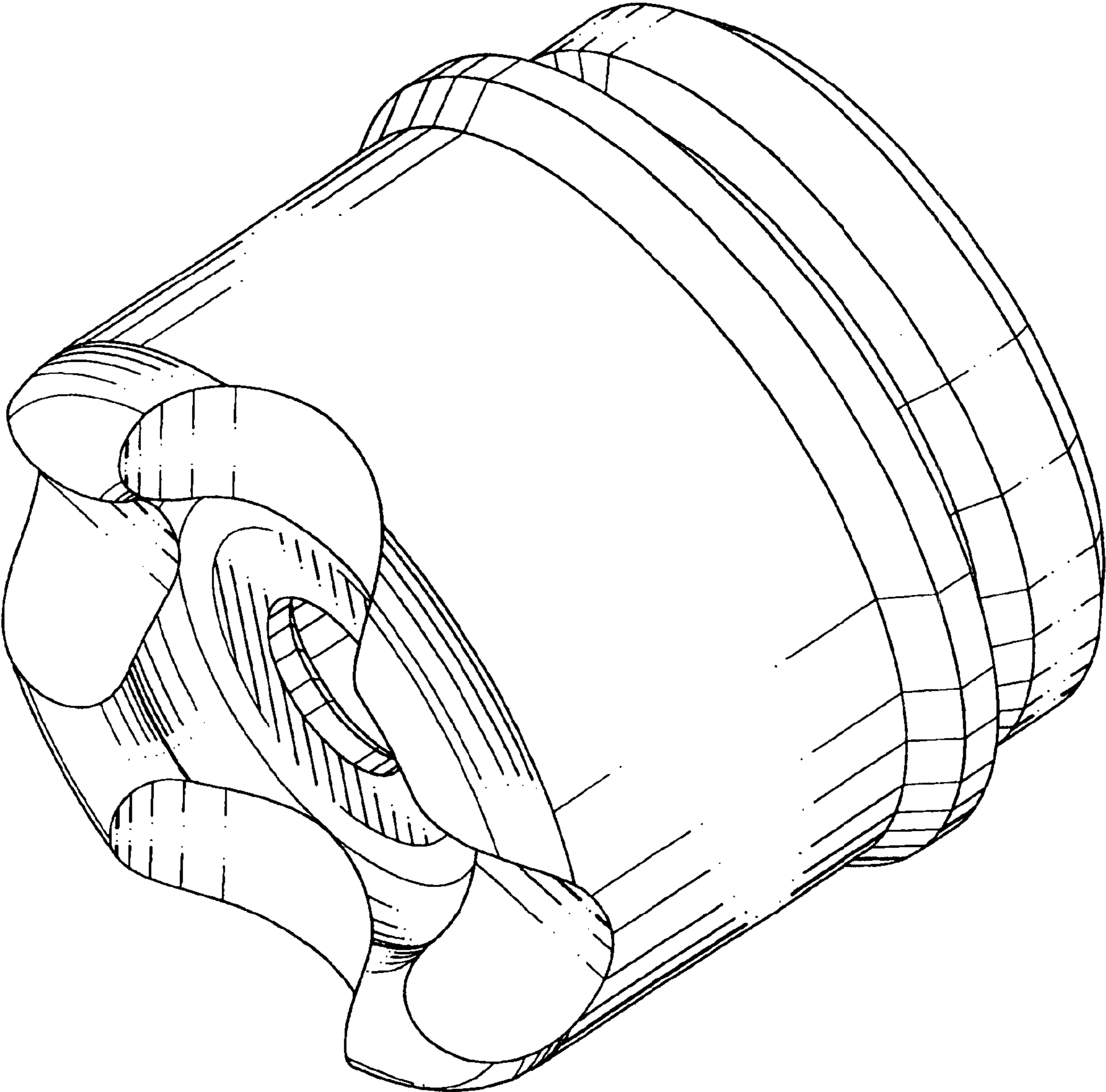


FIG. 1

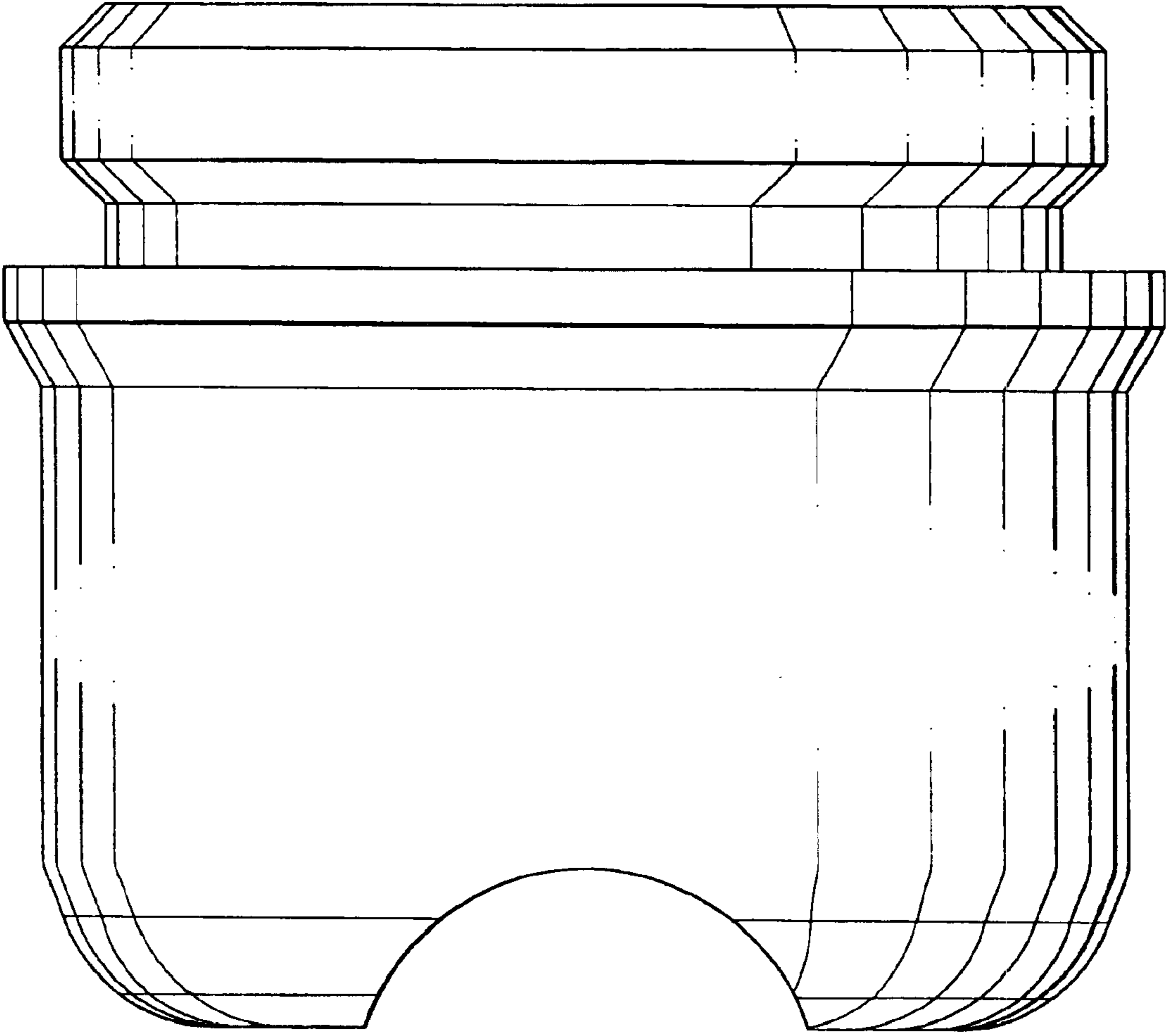


FIG. 2

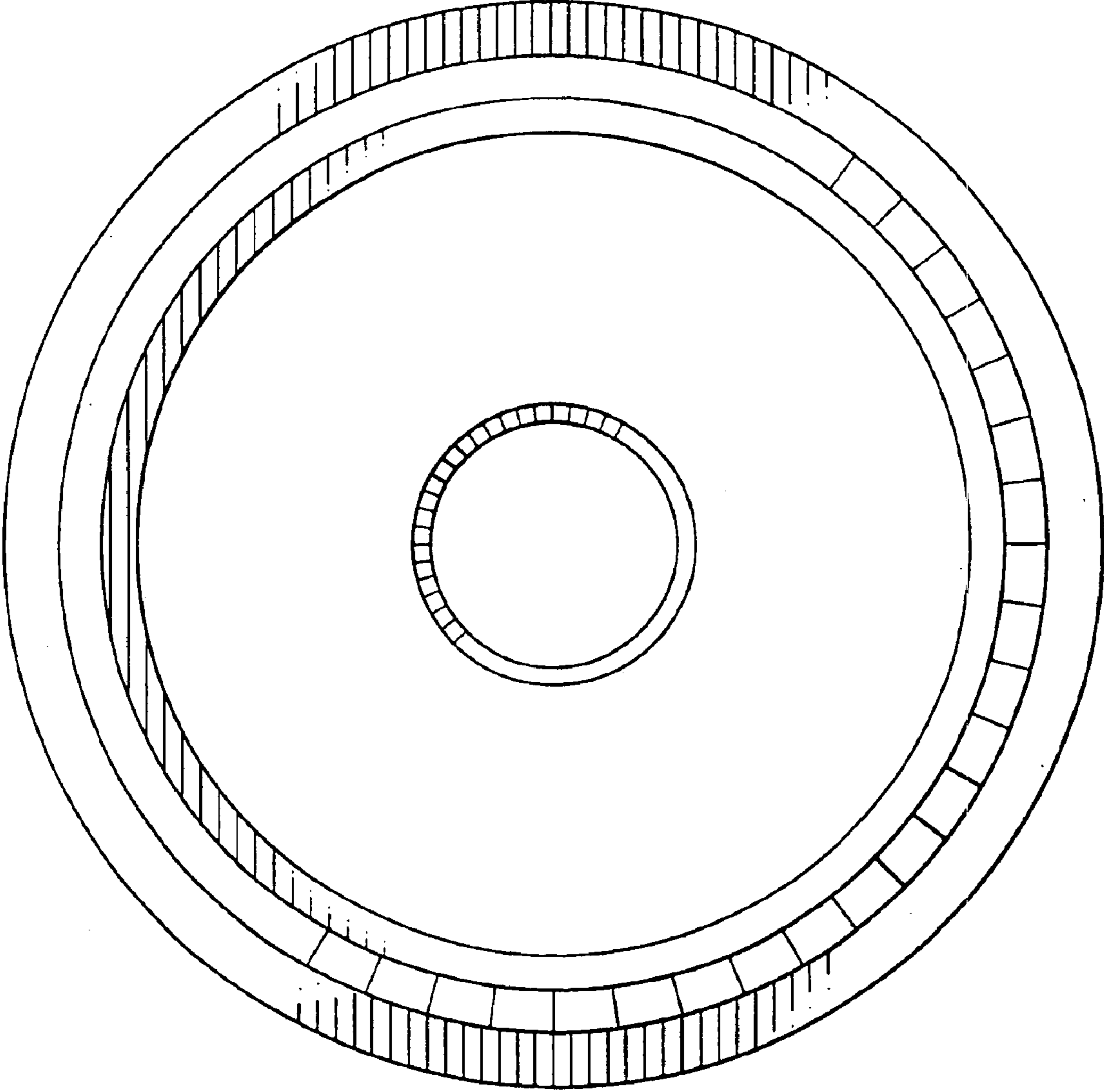


FIG. 3

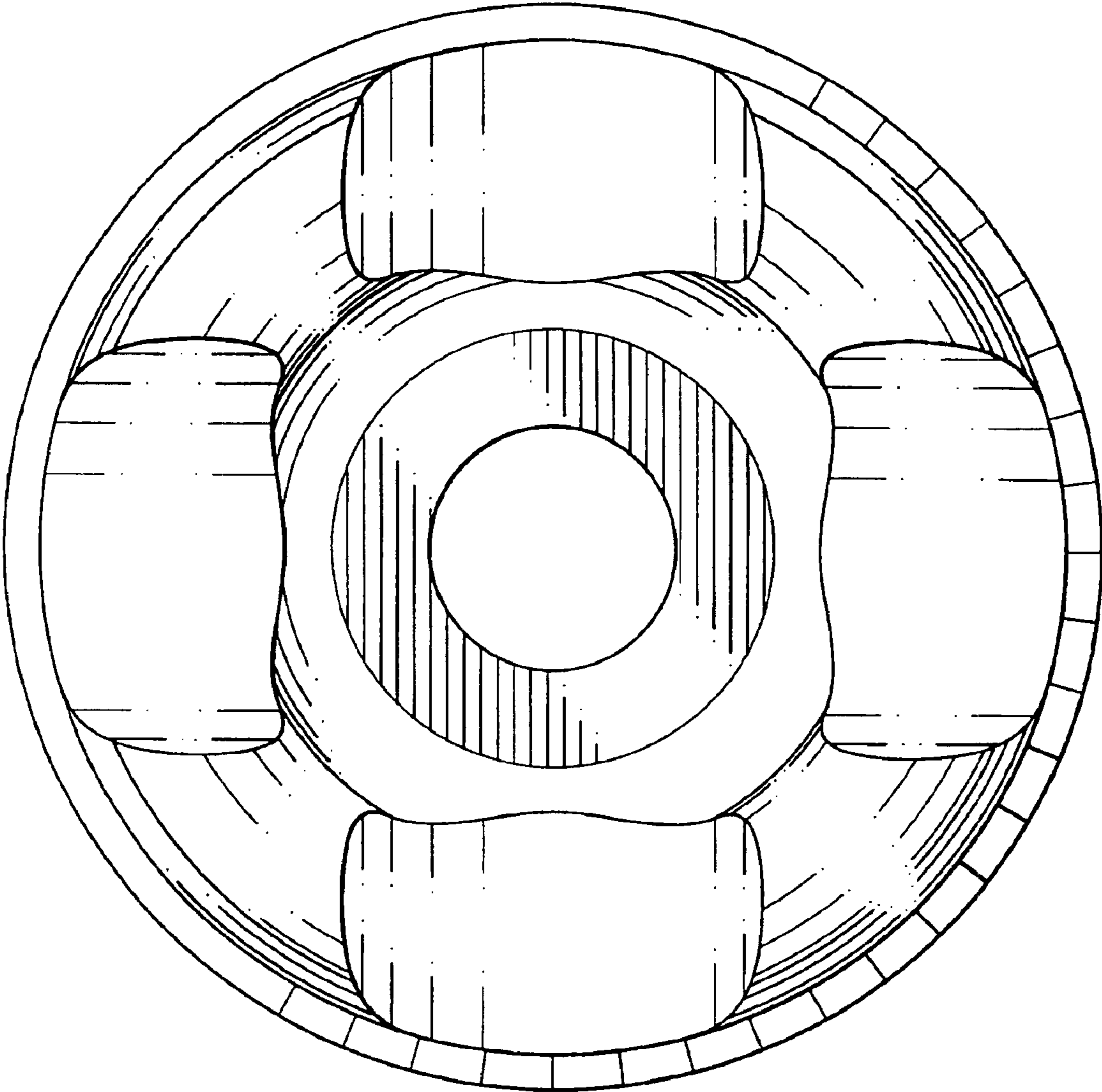


FIG. 4