

US00D505306S

(12) **United States Design Patent**
Gaddy

(10) **Patent No.: US D505,306 S**

(45) **Date of Patent: ** May 24, 2005**

(54) **CAULKING APPLICATOR WITH
HAMMERHEAD**

5,535,922 A * 7/1996 Maziarz 222/137
D378,338 S * 3/1997 Acciville et al. D8/14.1
6,045,005 A * 4/2000 Stratton 222/83.5

(76) Inventor: **Rodney Gaddy**, 15313 Market St. #3,
Channel View, TX (US) 77530

* cited by examiner

(**) Term: **14 Years**

Primary Examiner—Holly Baynham
(74) *Attorney, Agent, or Firm*—Goldstein Law Offices, P.C.

(21) Appl. No.: **29/197,705**

(57) **CLAIM**

(22) Filed: **Jan. 20, 2004**

The ornamental design for a caulking applicator with hammerhead, as shown and described.

(51) **LOC (7) Cl. 08-05**

(52) **U.S. Cl. D8/14.1**

(58) **Field of Search** D8/14.1; 222/160,
222/174, 82, 137, 83.5, 87

DESCRIPTION

FIG. 1 is a perspective view of the caulking applicator with hammerhead.

FIG. 2 is a bottom plan view thereof.

FIG. 3 is a top plan view thereof.

FIG. 4 is a front elevational view thereof.

FIG. 5 is a rear elevational view thereof.

FIG. 6 is a right side elevational view thereof; and,

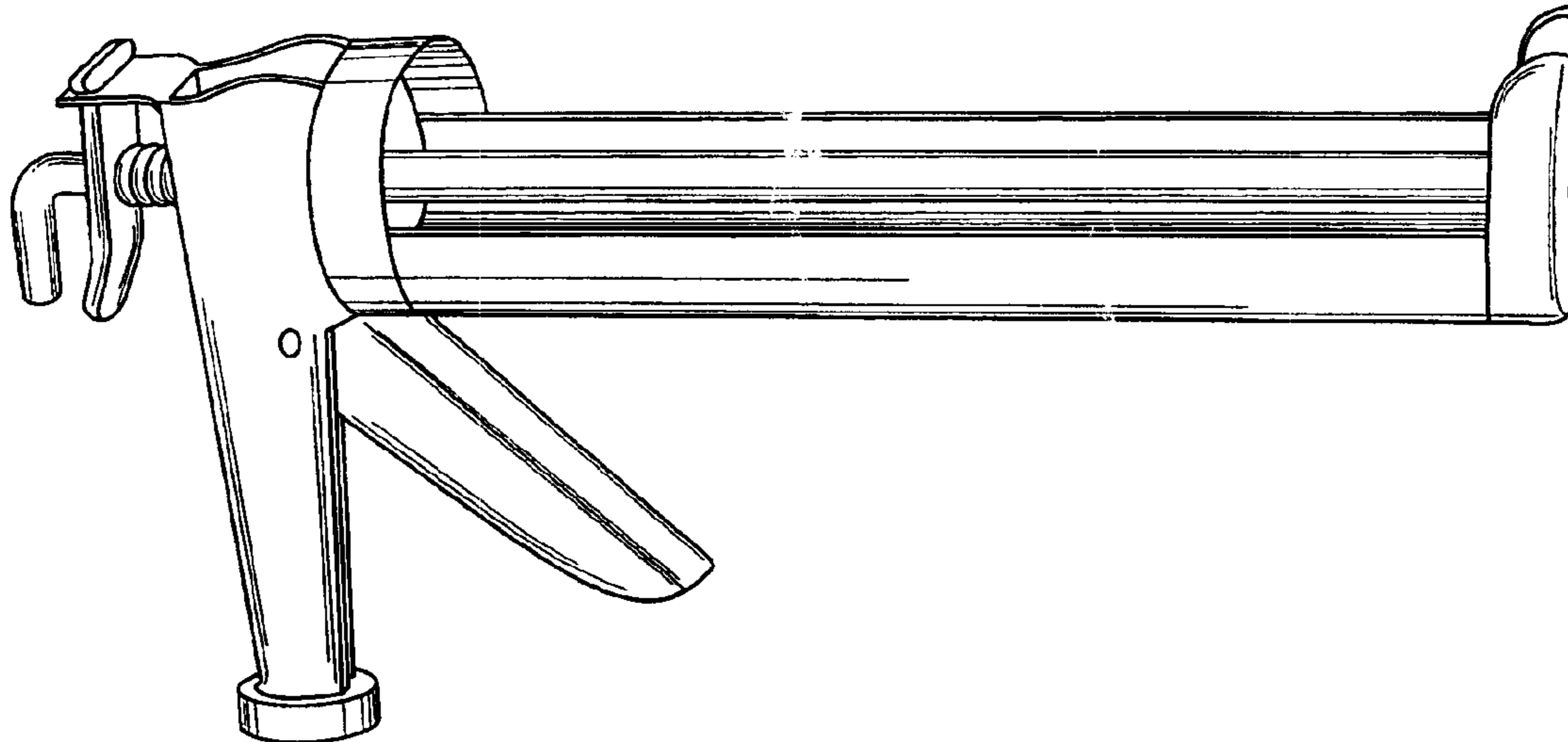
FIG. 7 is a left side elevational view thereof.

(56) **References Cited**

U.S. PATENT DOCUMENTS

731,916 A	6/1903	Koegel	
1,142,946 A	6/1915	Ellis	
3,927,432 A	12/1975	Dahl	7/8.1
5,033,951 A	7/1991	Cook	425/87

1 Claim, 4 Drawing Sheets



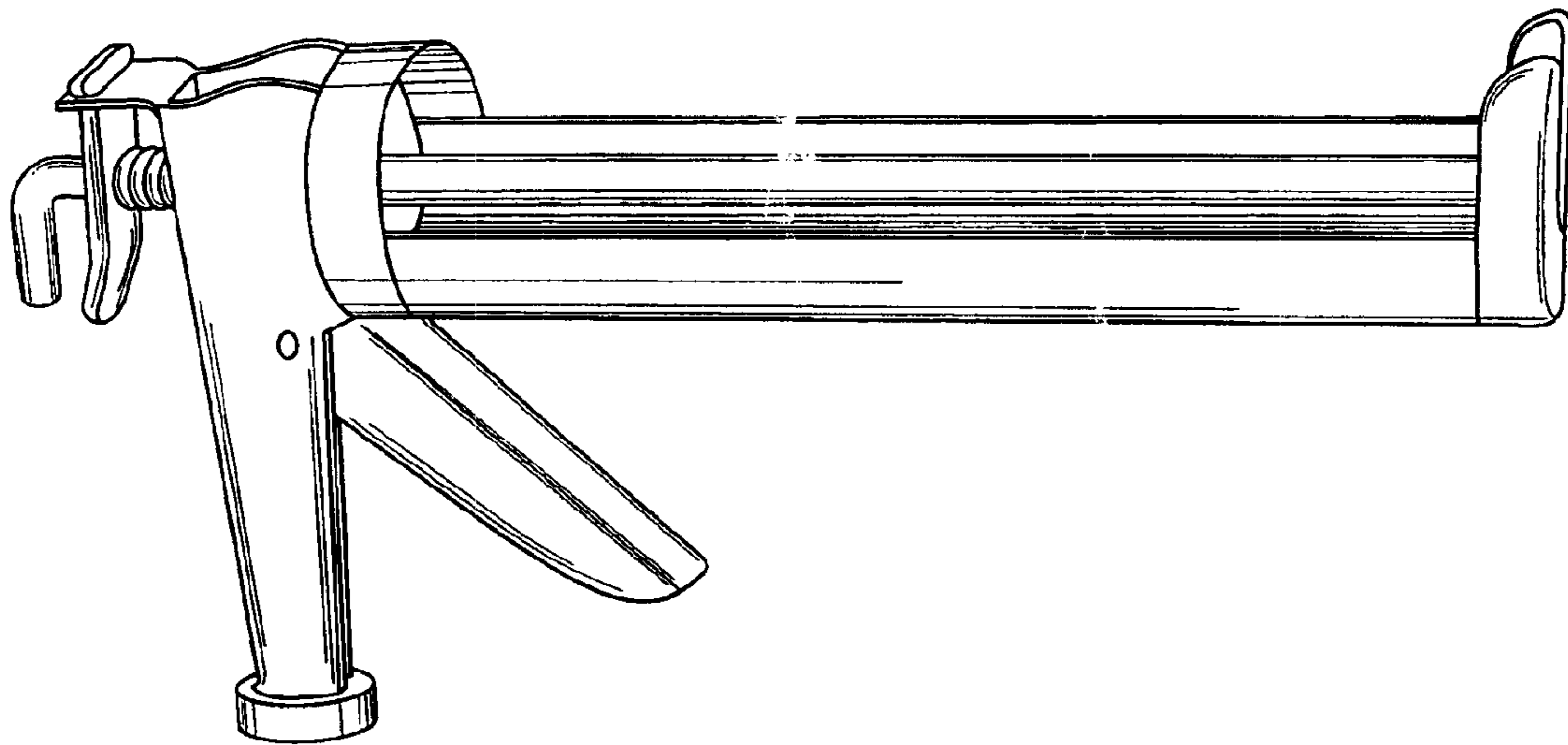


FIG. 1

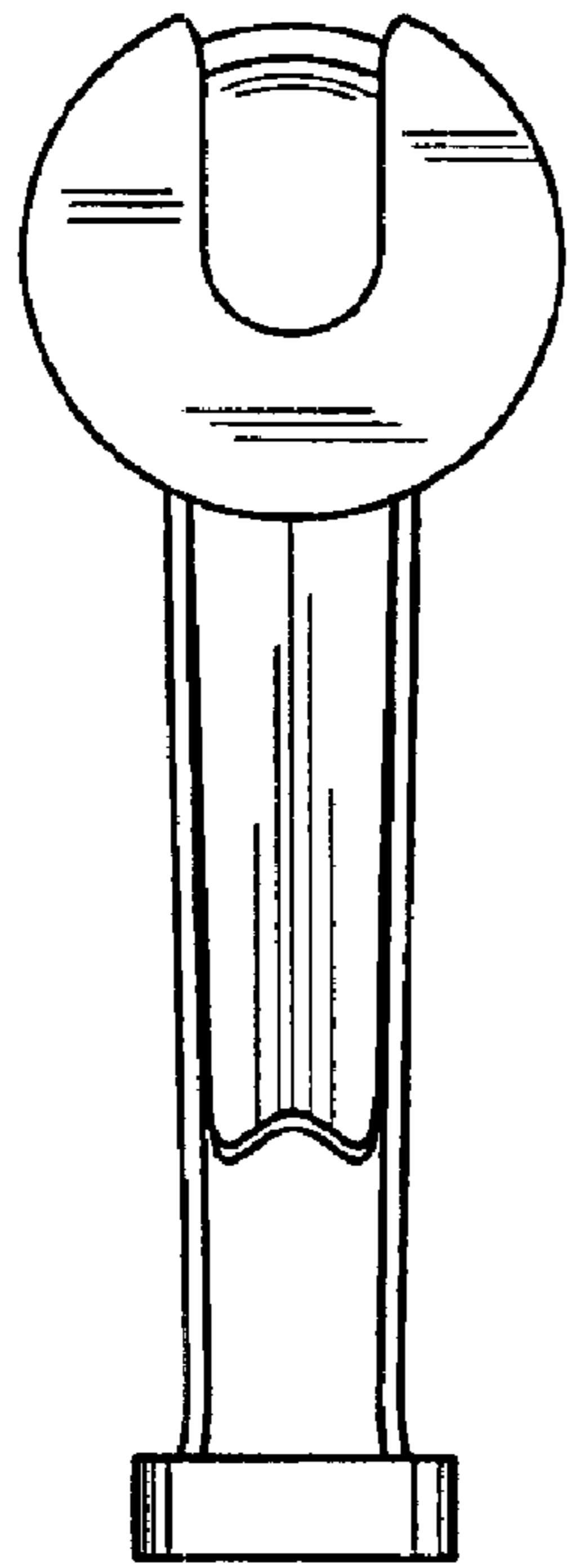


FIG. 2

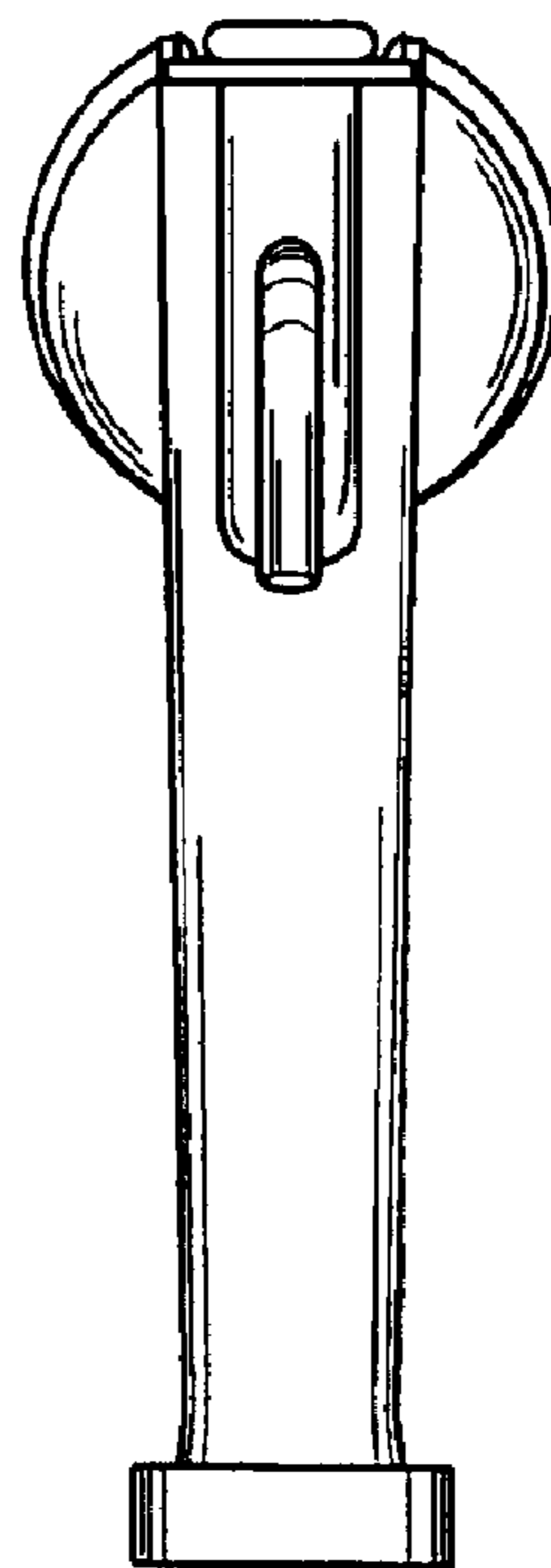


FIG. 3

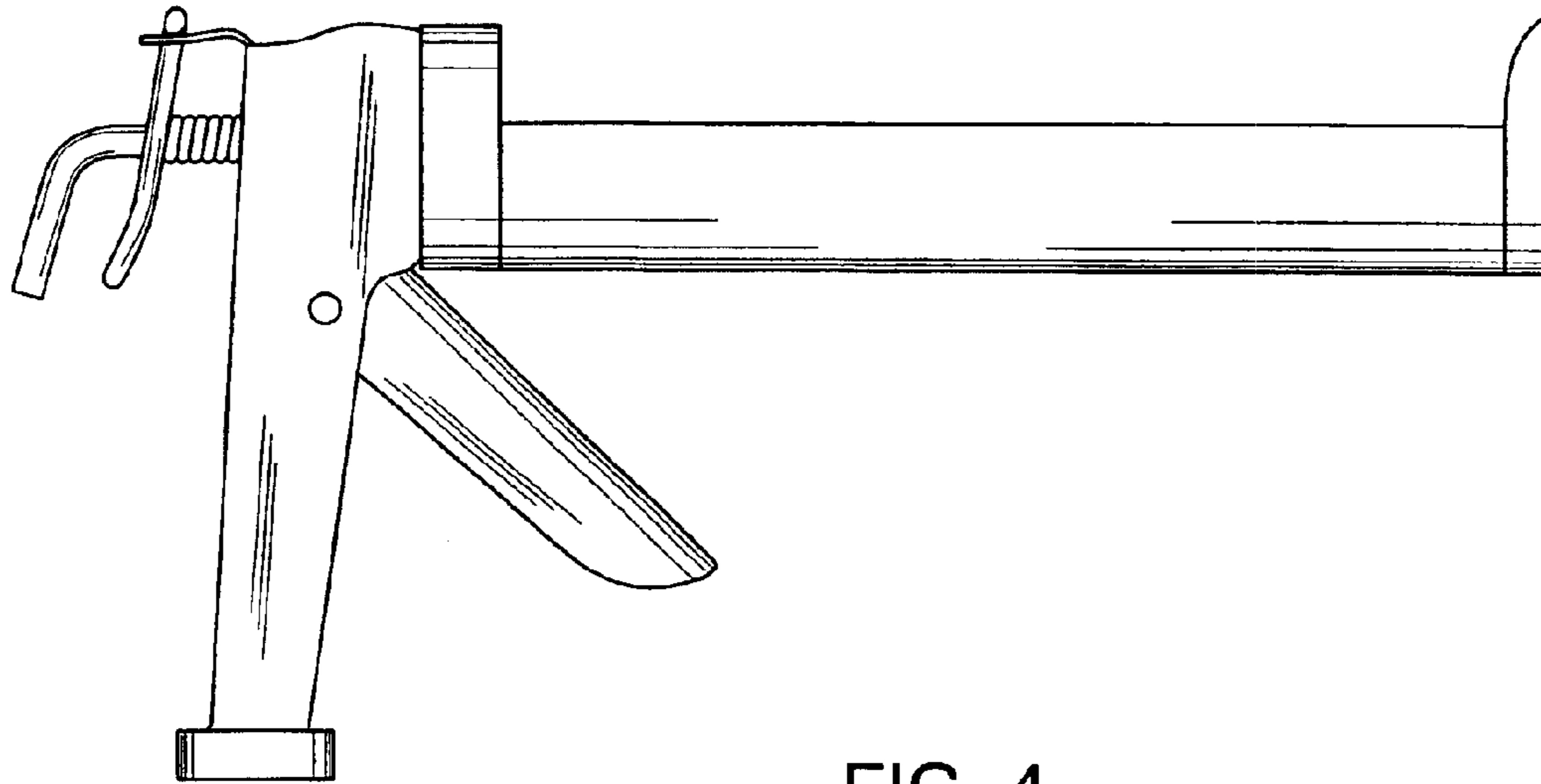


FIG. 4

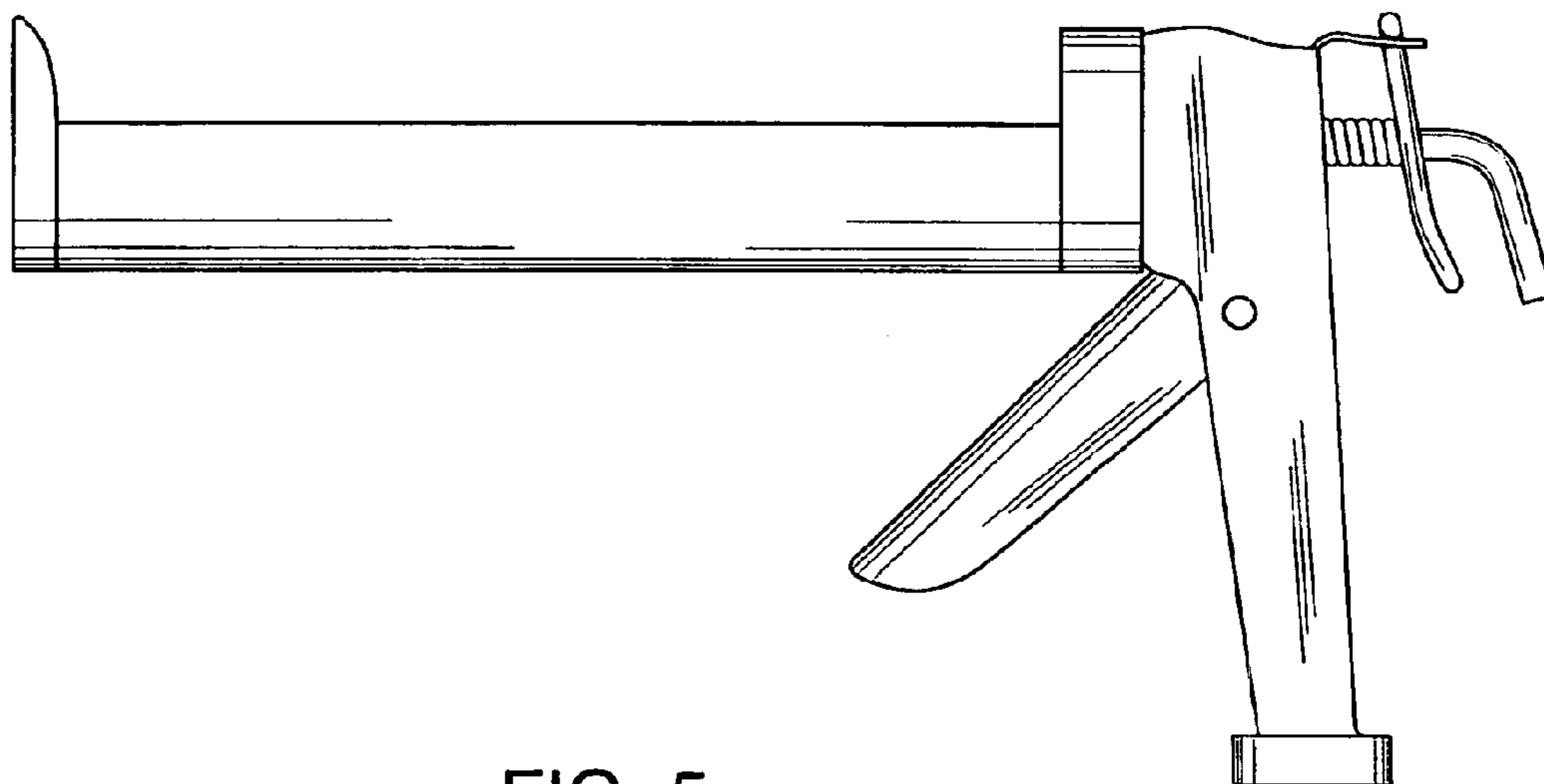


FIG. 5

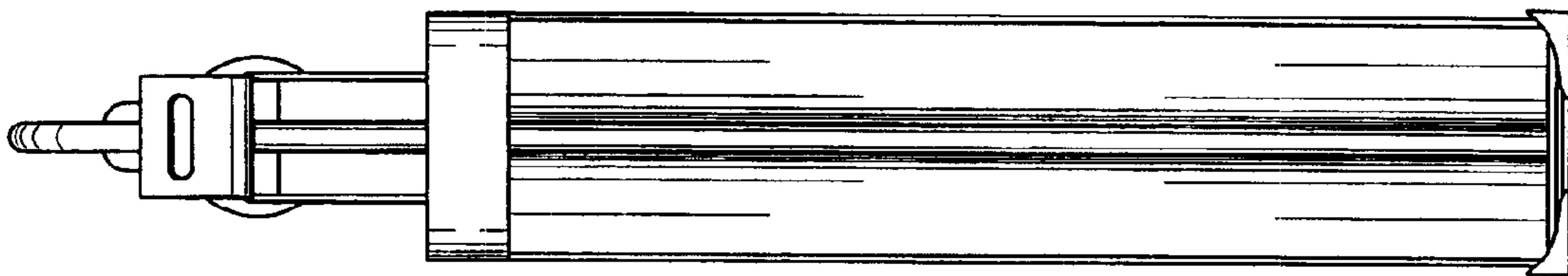


FIG. 6

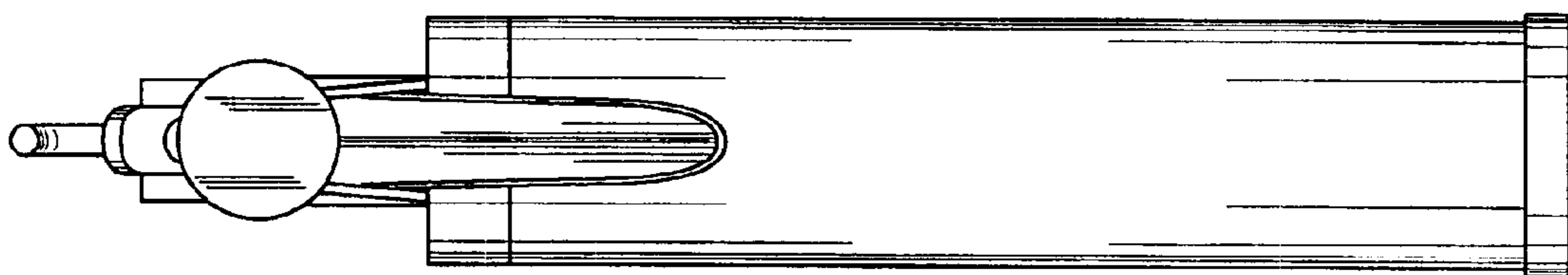


FIG. 7