

US00D505302S

(12) **United States Design Patent**  
**Veltrop et al.**

(10) **Patent No.: US D505,302 S**

(45) **Date of Patent: \*\* May 24, 2005**

(54) **FOOD PRODUCT SLICER**

5,749,145 A \* 5/1998 Baukloh ..... 30/114  
D400,065 S \* 10/1998 Fohrman ..... D7/673

(75) Inventors: **Loren J. Veltrop**, Deerfield, IL (US);  
**Robert C. Long**, Glenview, IL (US);  
**Michael M. Maciejewski**, St. Charles,  
IL (US)

\* cited by examiner

*Primary Examiner*—Terry A. Wallace  
(74) *Attorney, Agent, or Firm*—John R. Hoffman

(73) Assignee: **Prince Castle Inc.**, Carol Stream, IL  
(US)

(57) **CLAIM**

The ornamental design for a food product slicer, as shown  
and described.

(\*\*) Term: **14 Years**

**DESCRIPTION**

(21) Appl. No.: **29/201,255**

FIG. 1 is a front, top perspective view of our Design;  
FIG. 2 is a front elevational view of our Design;  
FIG. 3 is a rear elevational view of our Design;  
FIG. 4 is a top plan view of our Design;  
FIG. 5 is a bottom plane view of our Design;  
FIG. 6 is a side elevational view of our Design, the opposite  
side being substantially a mirror image thereof;  
FIG. 7 is a perspective view of our Design similar to that of  
FIG. 1, with the cutting head raised; and,  
FIG. 8 is a side elevational view of our Design as viewed in  
FIG. 7, the opposite side being substantially a mirror image  
thereof.

(22) Filed: **Mar. 13, 2004**

(51) **LOC (7) Cl.** ..... **07-04**

(52) **U.S. Cl.** ..... **D7/673**

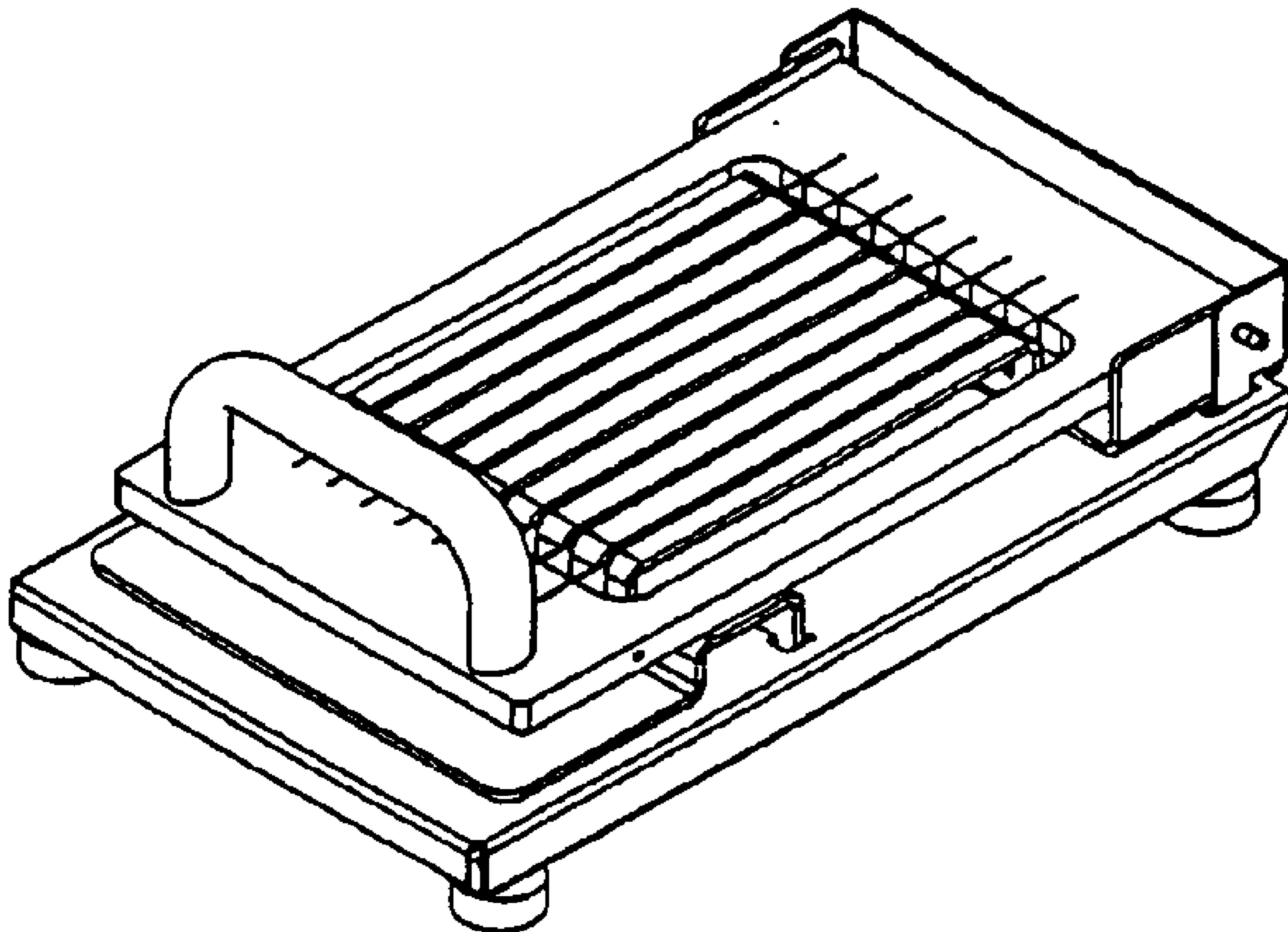
(58) **Field of Search** ..... D7/672–674, 693;  
30/114–117, 303, 304; 99/537, 538, 545;  
241/95, 168, 169

(56) **References Cited**

**U.S. PATENT DOCUMENTS**

D164,693 S \* 10/1951 Koons ..... D7/673  
D297,798 S \* 9/1988 Leung ..... D7/673

**1 Claim, 3 Drawing Sheets**



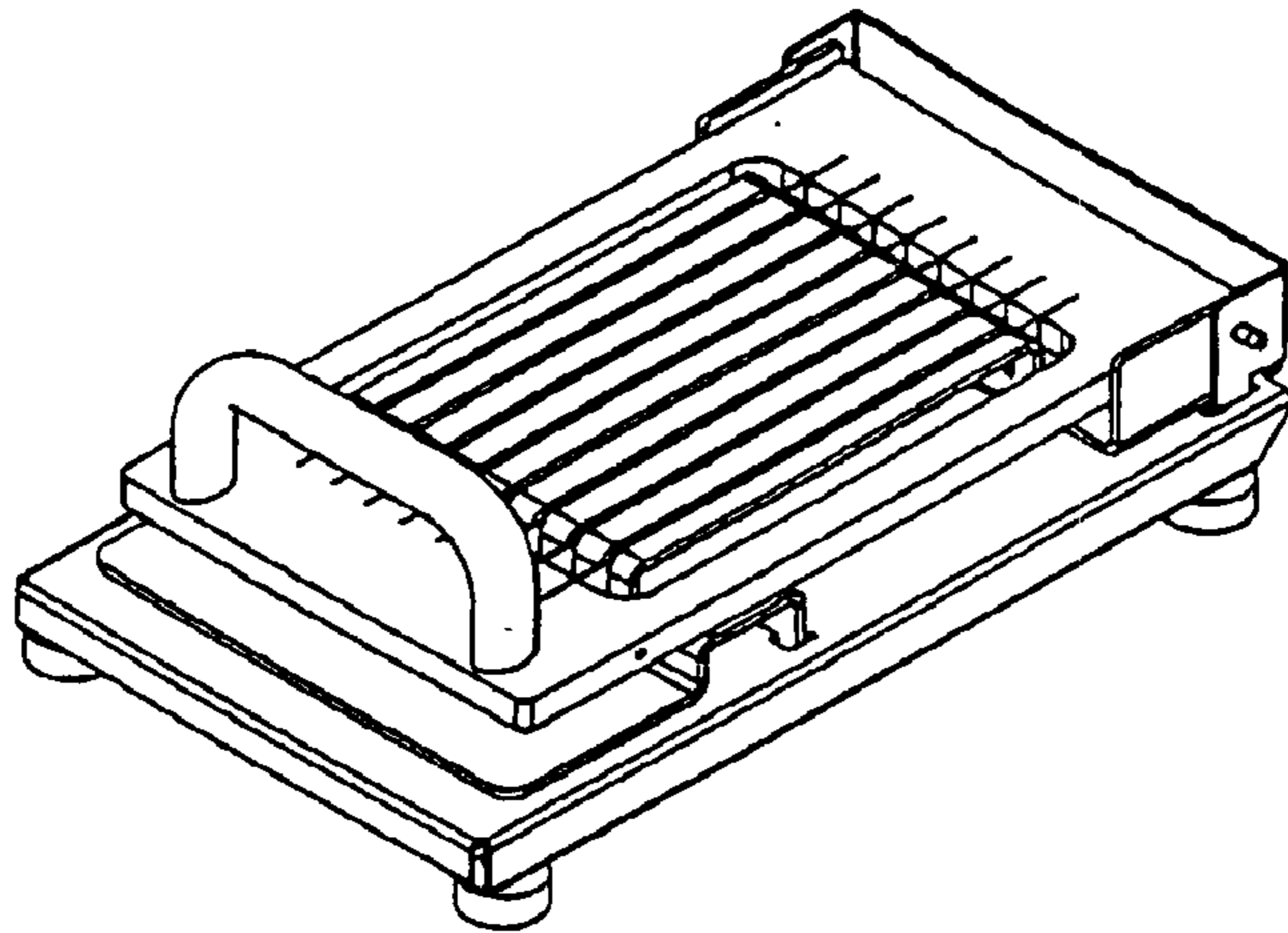


FIG. 1

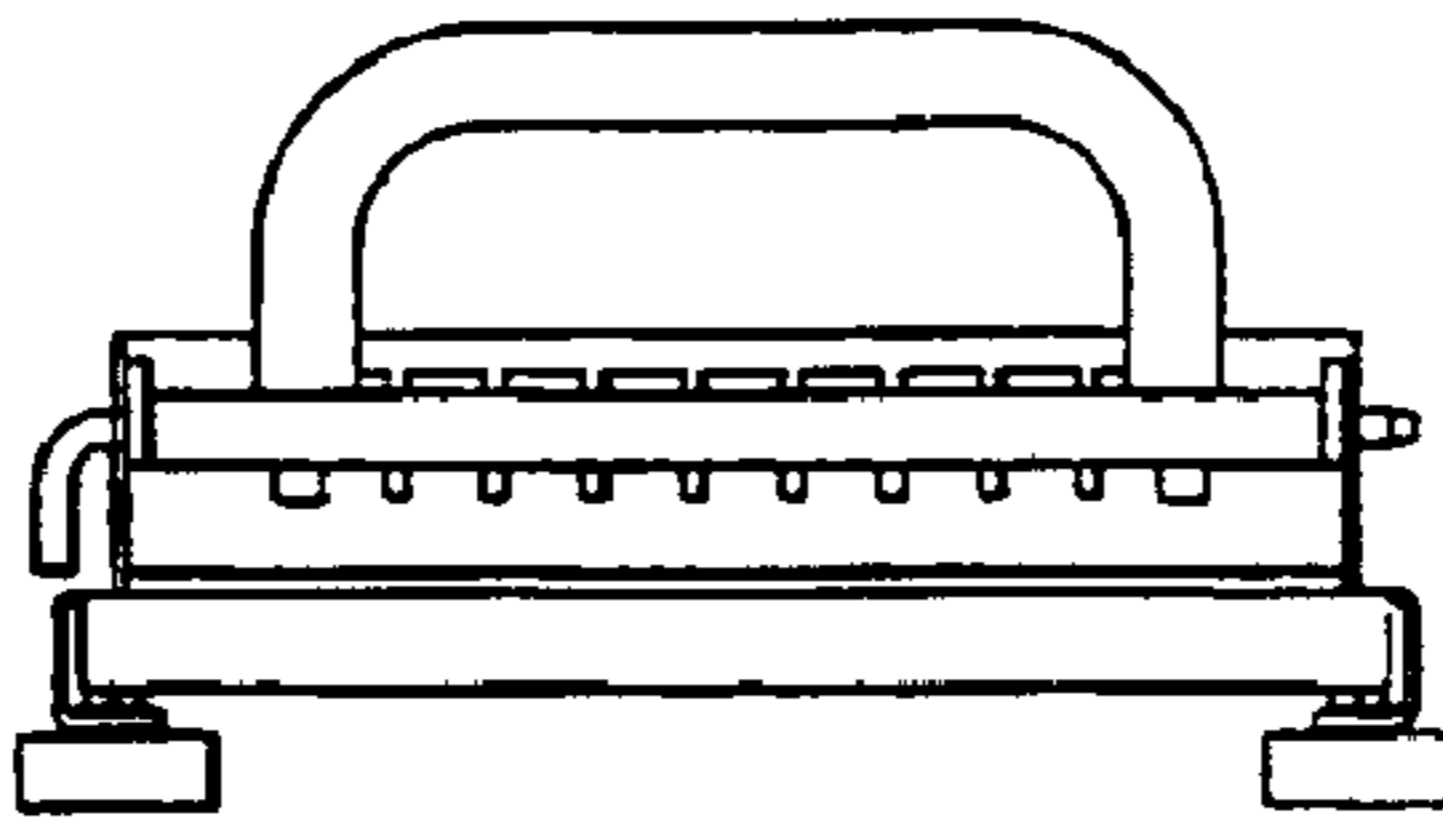


FIG. 2

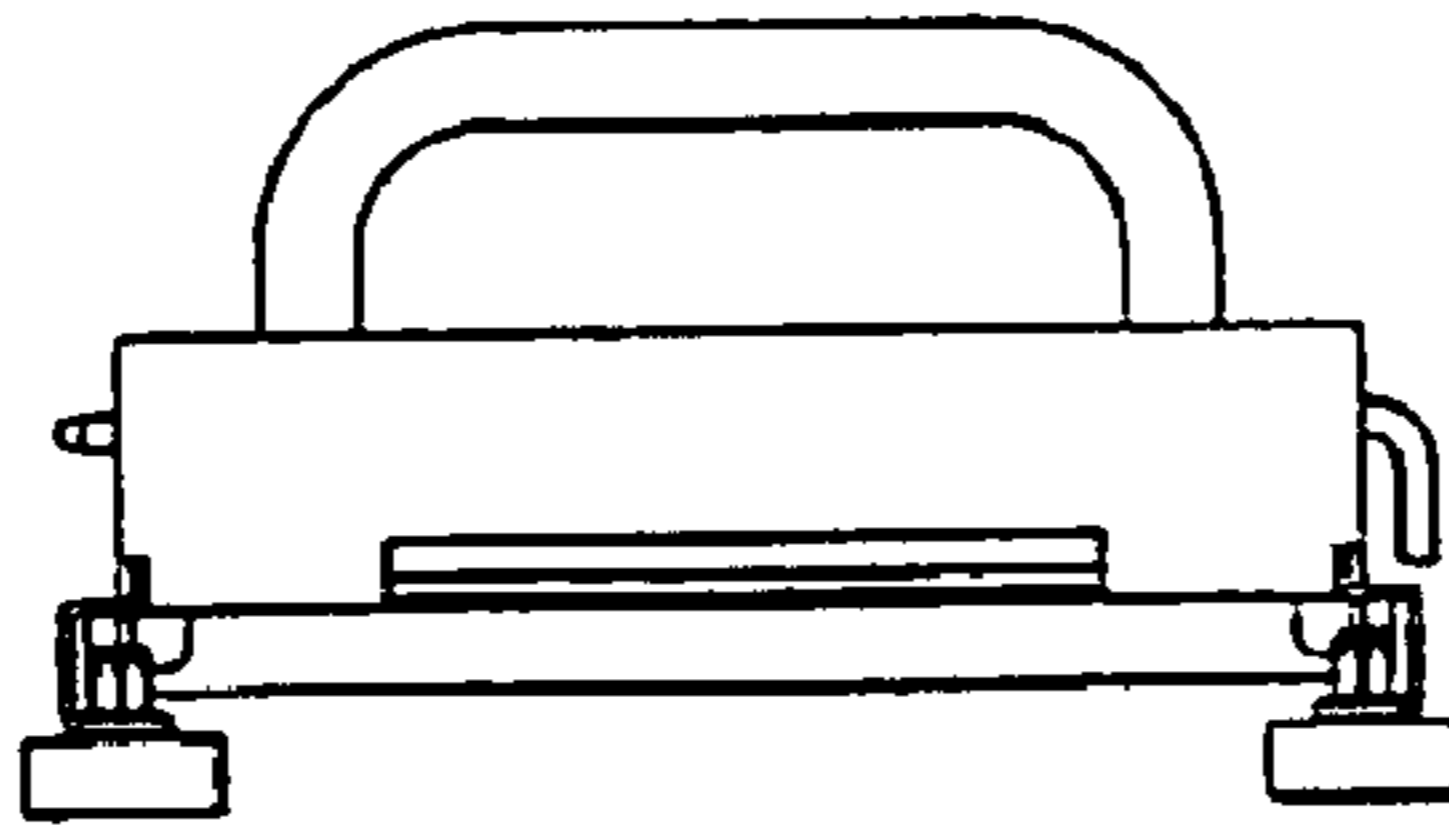


FIG. 3

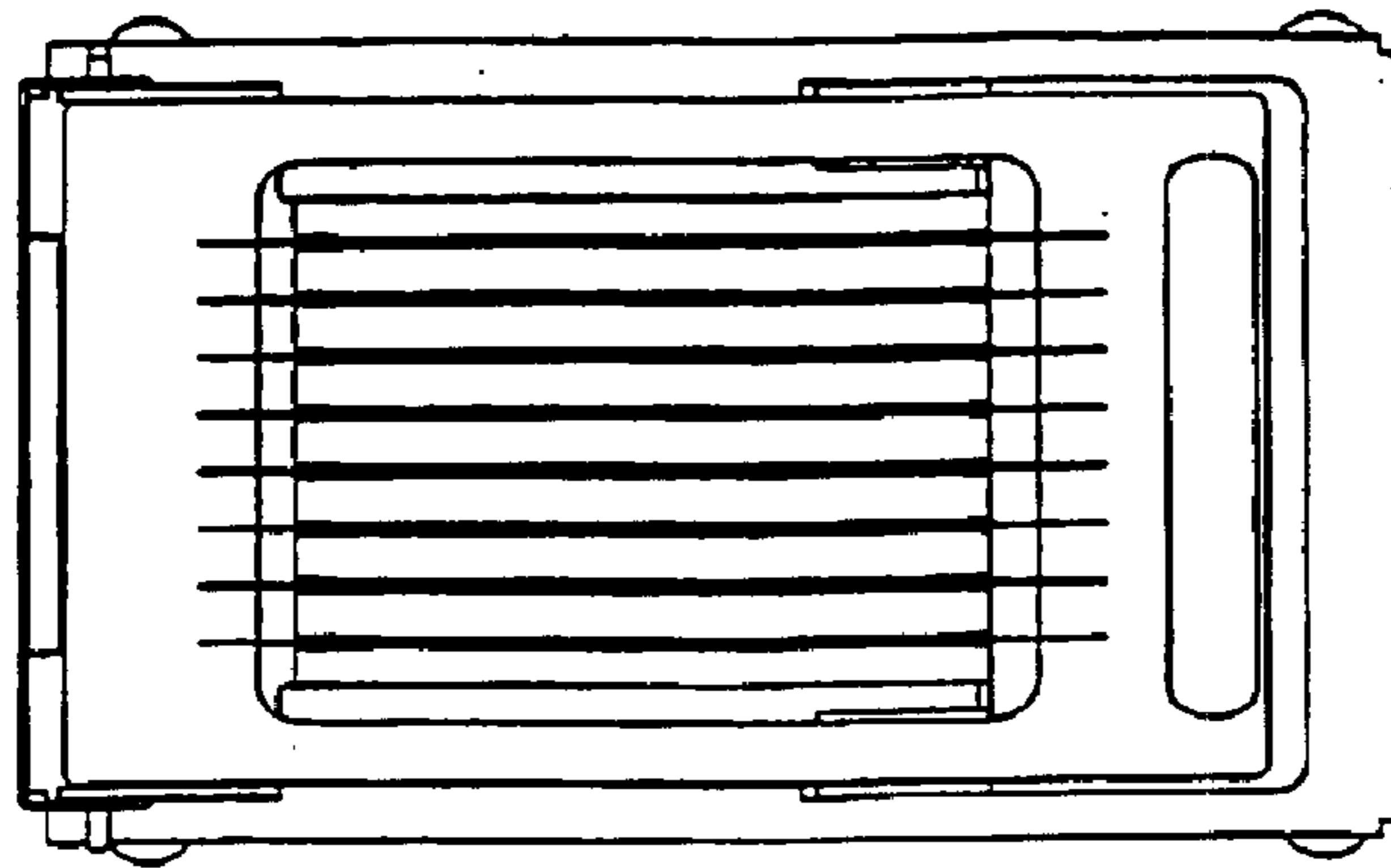


FIG. 4

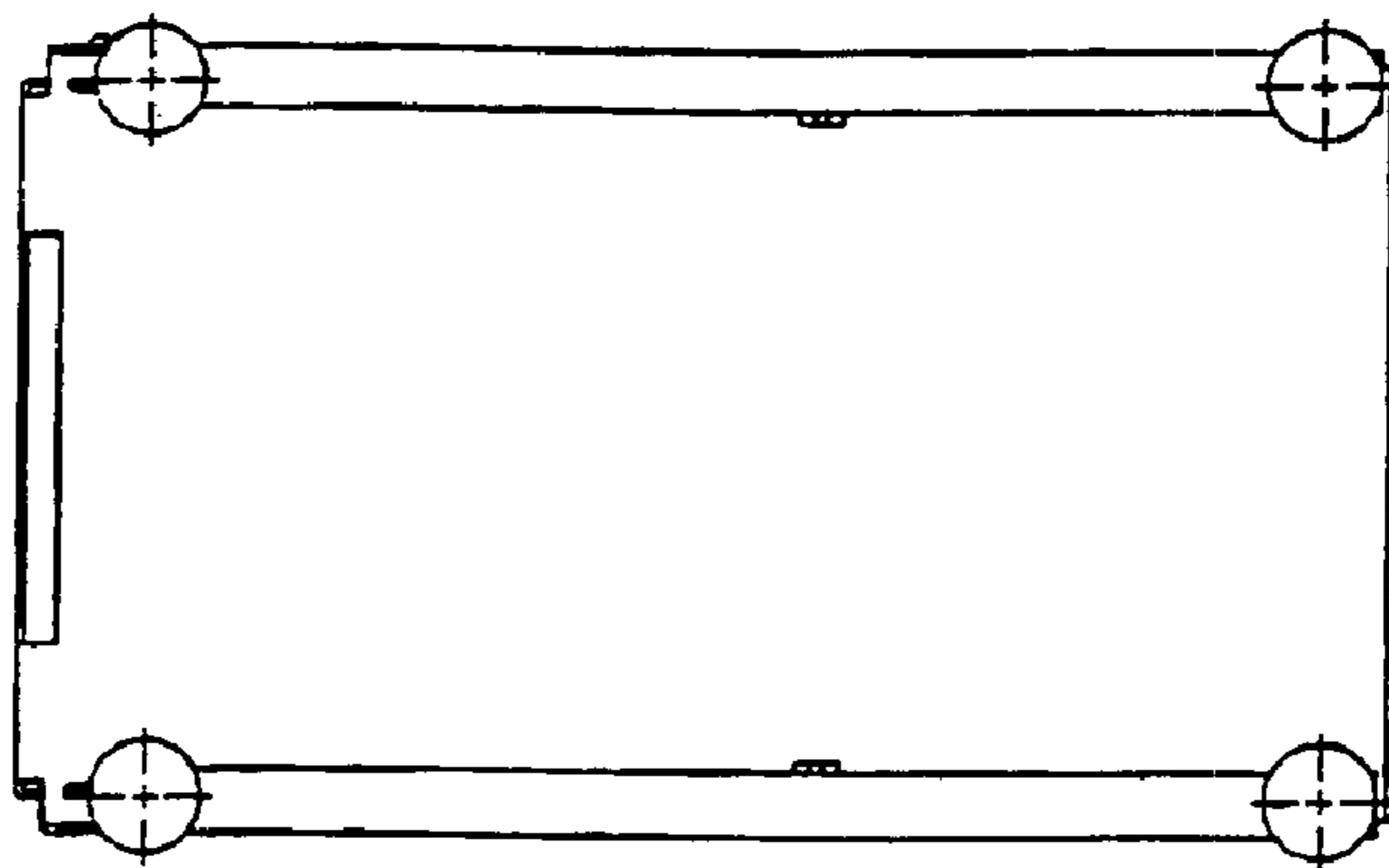


FIG. 5

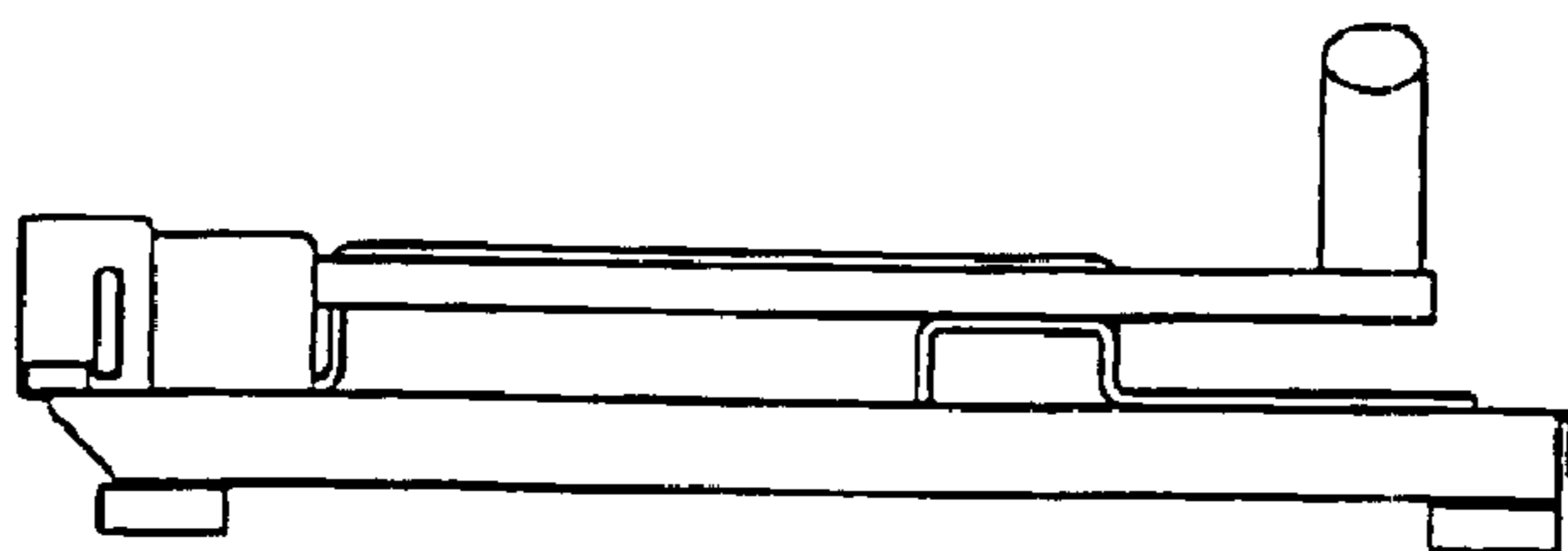


FIG. 6

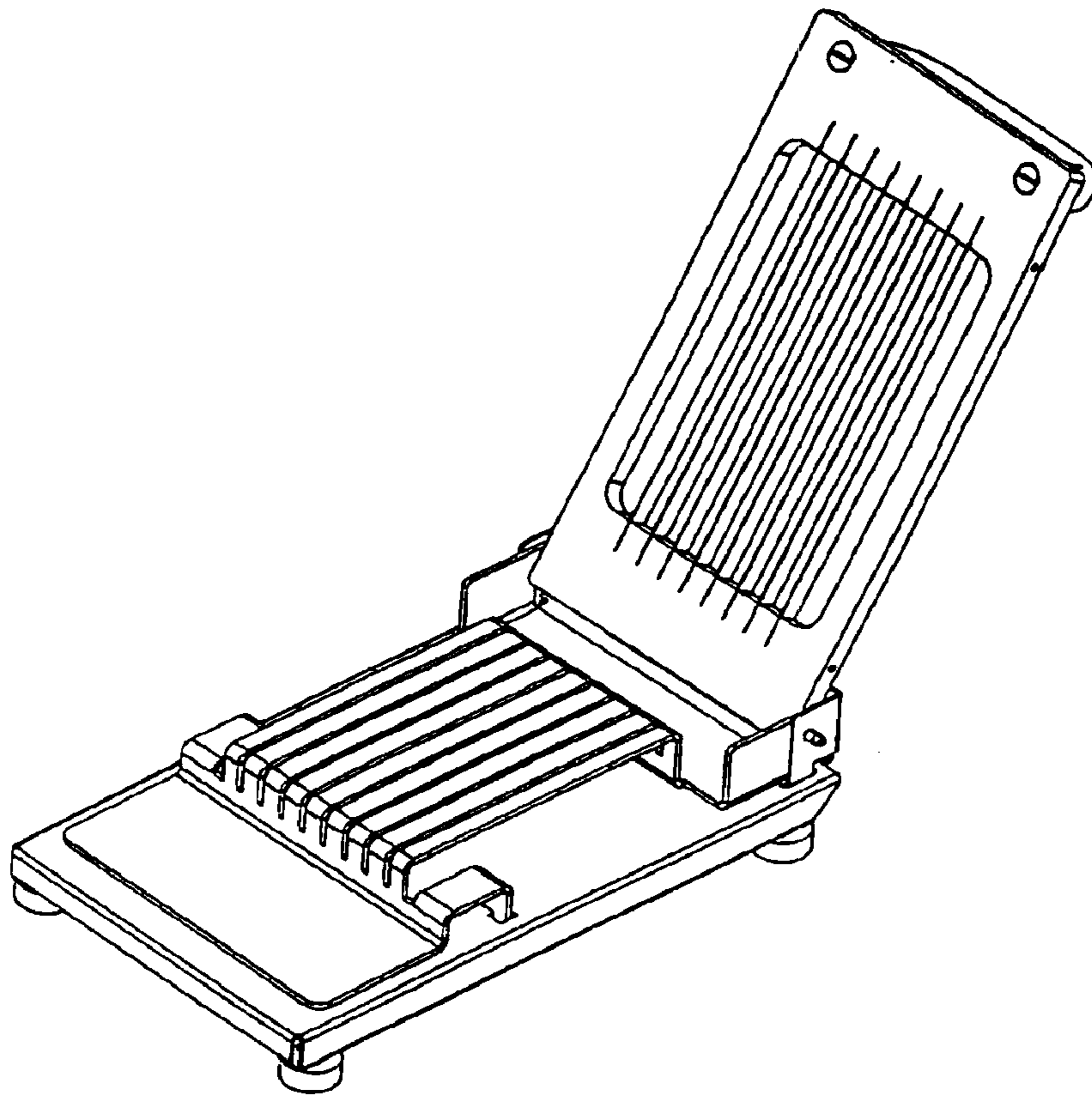


FIG. 7

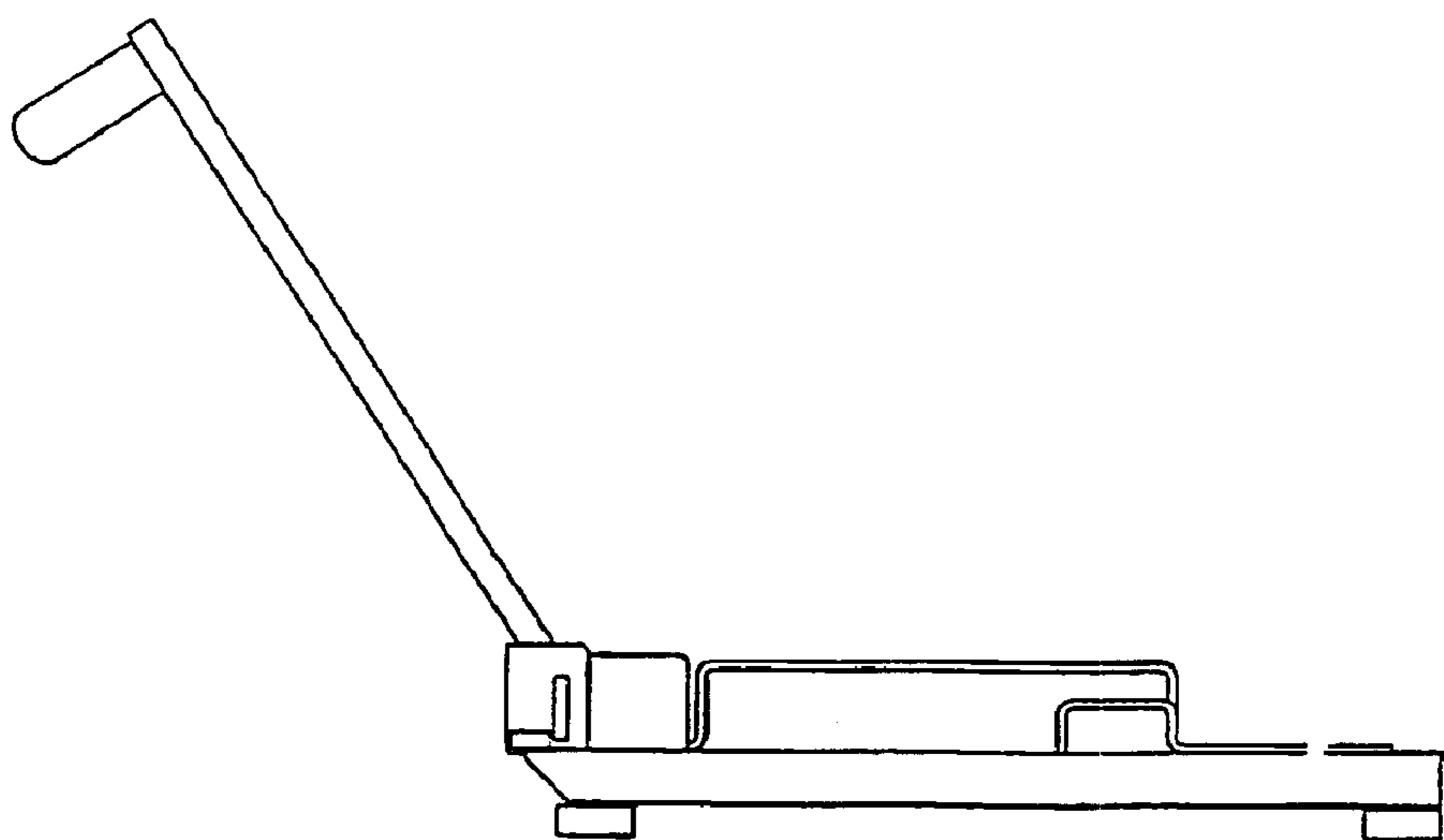


FIG. 8