

US00D505300S

(12) **United States Design Patent**
Walsh

(10) **Patent No.:** **US D505,300 S**

(45) **Date of Patent:** **** May 24, 2005**

(54) **INSULATED BEVERAGE HOLDER**

(75) **Inventor:** **Robert J. Walsh**, Newport Beach, CA
(US)

(73) **Assignee:** **Ocean Equipment, Inc.**, Irvine, CA
(US)

(**) **Term:** **14 Years**

(21) **Appl. No.:** **29/200,982**

(22) **Filed:** **Mar. 8, 2004**

(51) **LOC (7) Cl.** **07-01**

(52) **U.S. Cl.** **D7/608; D7/624.1**

(58) **Field of Search** **D7/619.1-625,**
D7/603-608; 220/737, 739, 592.16-592.28,
902, 903; 215/395, 396; 62/457.1-457.5

(56) **References Cited**

U.S. PATENT DOCUMENTS

4,648,525 A	3/1987	Henderson	
D306,546 S	3/1990	Coy	
D309,073 S	* 7/1990	Robinson D7/608
4,964,600 A	10/1990	Lee	
D375,655 S	11/1996	King	

5,990,790 A	11/1999	Lusareta	
D419,822 S	2/2000	Woodyard	
D440,469 S	* 4/2001	Krist et al. D7/619.1
D442,833 S	5/2001	Shuman	
6,349,846 B1	2/2002	Meza	
D455,052 S	* 4/2002	Gullickson et al. D7/619.1
6,367,652 B1	4/2002	Toida et al.	

* cited by examiner

Primary Examiner—Terry A. Wallace

(74) *Attorney, Agent, or Firm*—Stetina Brunda Garred & Brucker

(57) **CLAIM**

The ornamental design for an insulated beverage holder, as shown and described.

DESCRIPTION

FIG. 1 is a top perspective view of the insulated beverage holder of the present invention showing my new design; FIG. 2 is a top plan view thereof; FIG. 3 is a side elevational view thereof; FIG. 4 is a front elevational view thereof; and, FIG. 5 is a bottom plan view thereof.

1 Claim, 1 Drawing Sheet

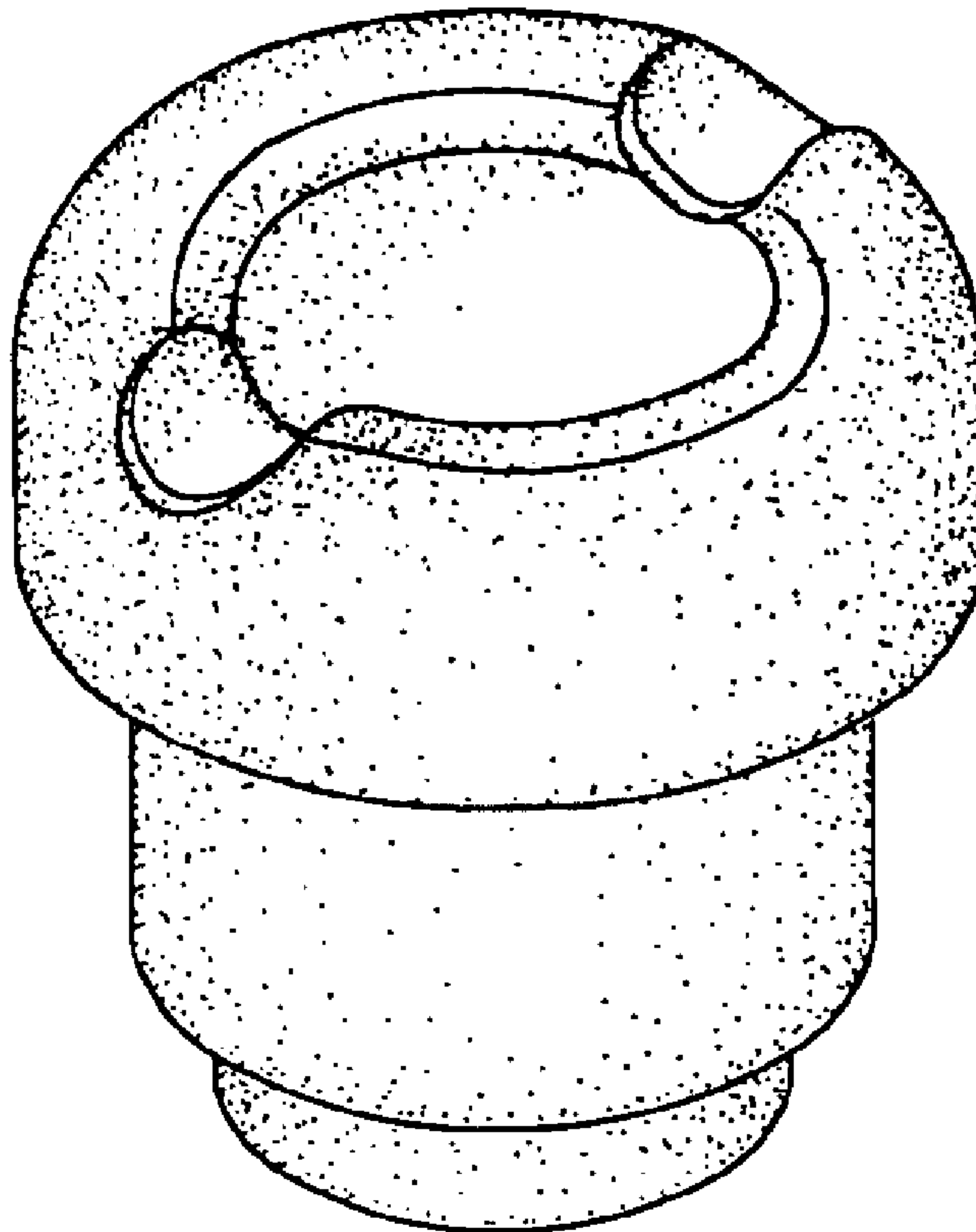


Fig. 1

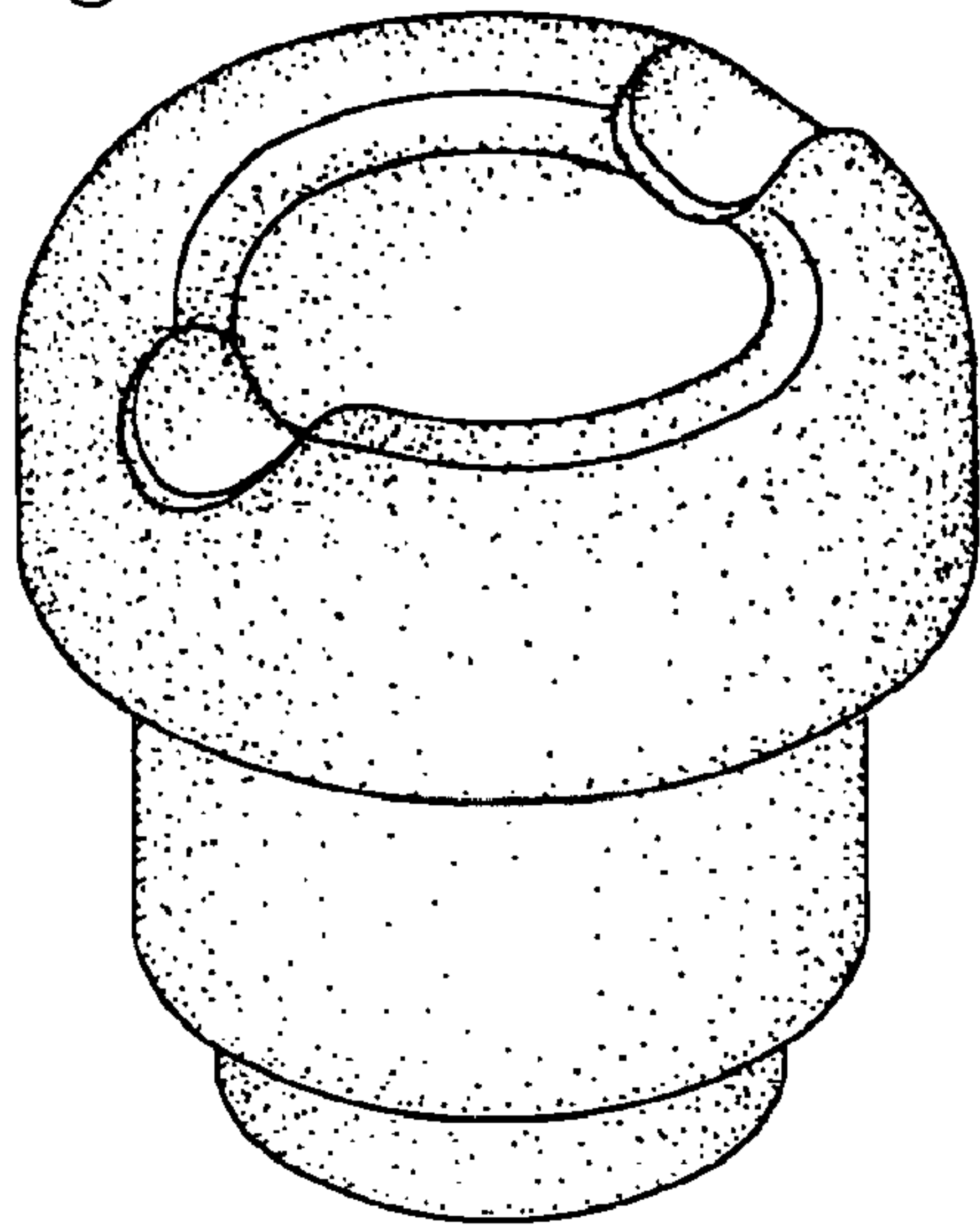


Fig. 2

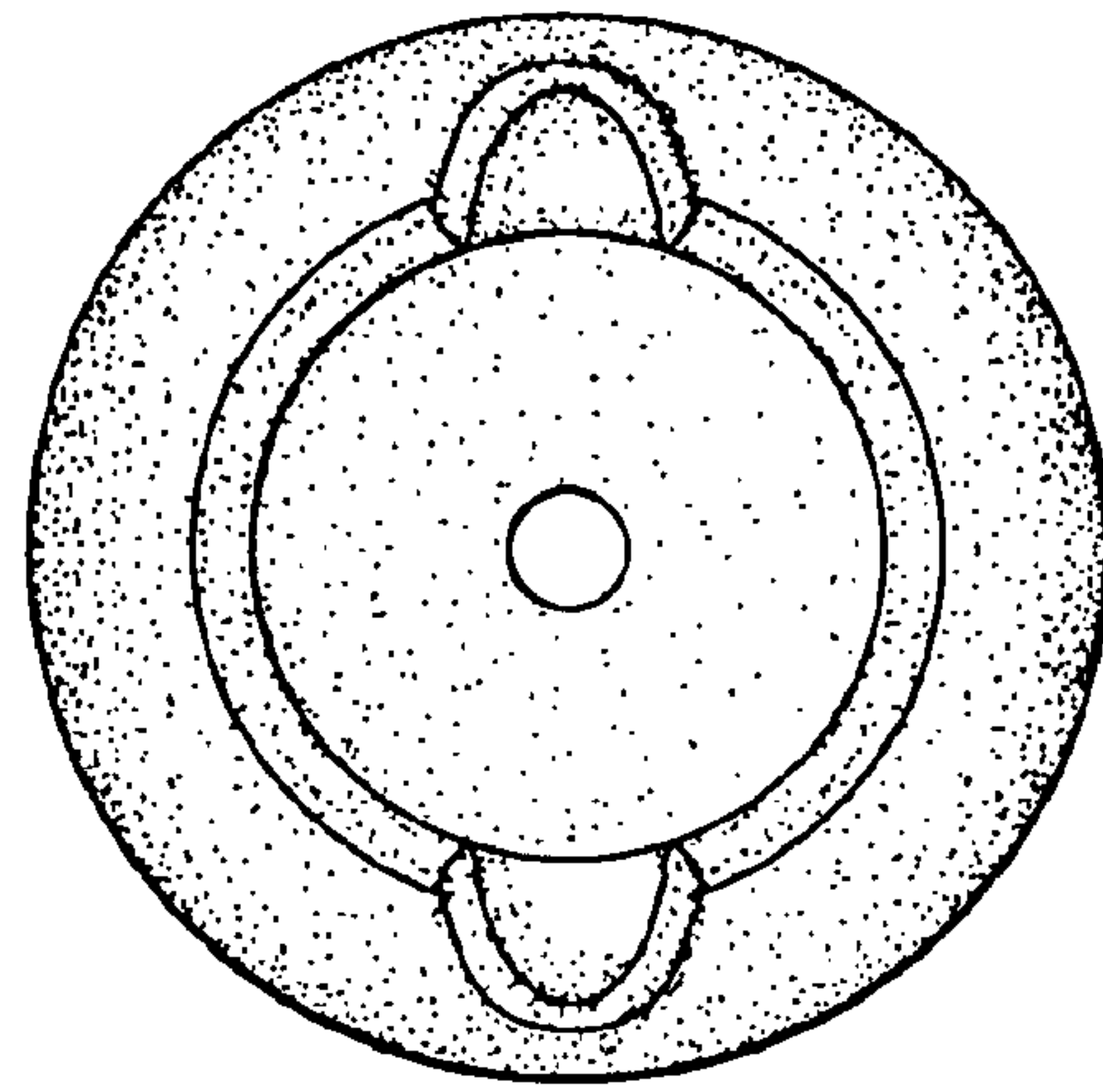


Fig. 3

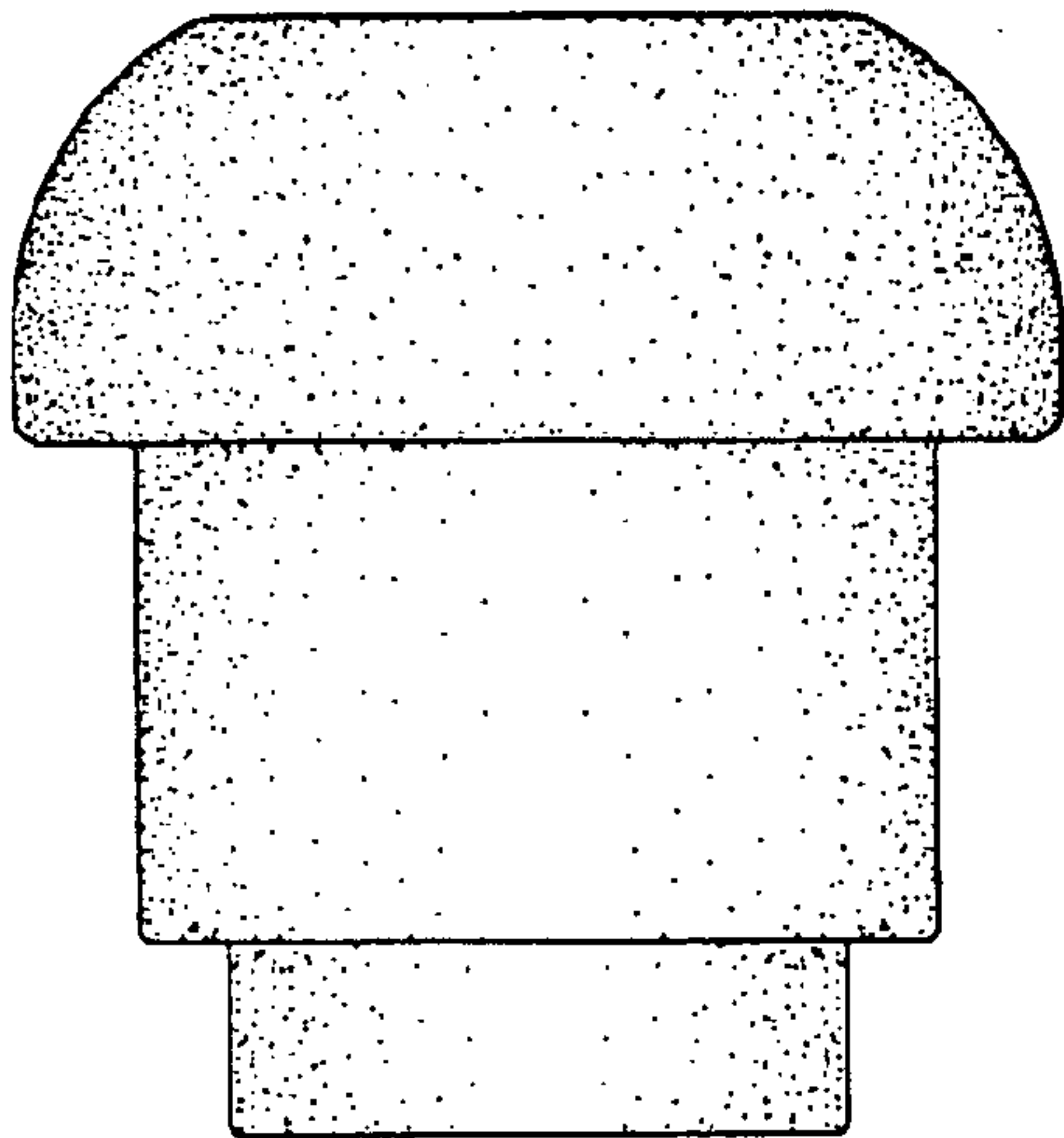


Fig. 4

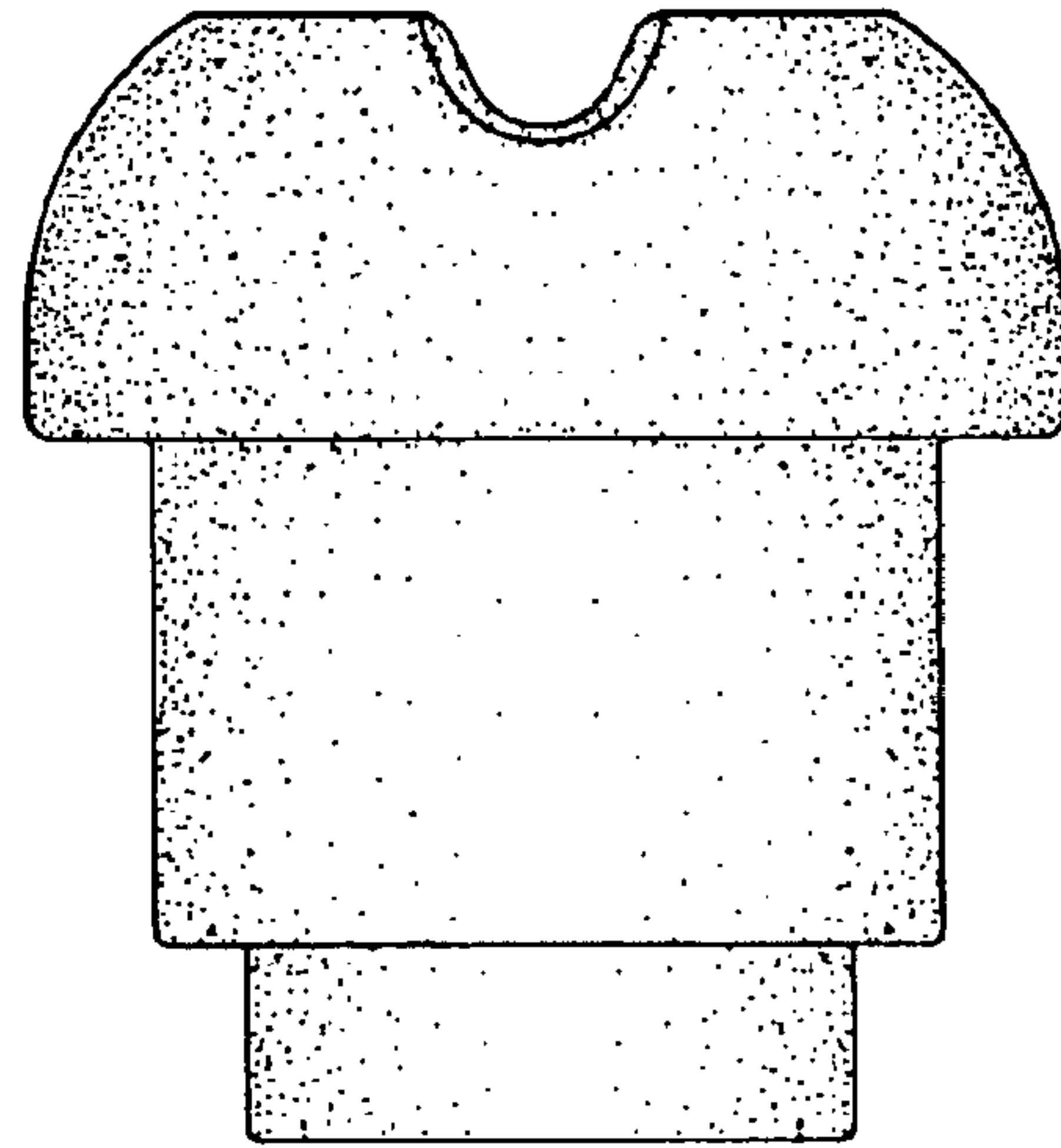


Fig. 5

