

US00D505299S

(12) **United States Design Patent**  
**Saint Georges**

(10) **Patent No.: US D505,299 S**

(45) **Date of Patent: \*\* May 24, 2005**

(54) **ICE BUCKET**

D281,546 S \* 12/1985 Bradshaw ..... D7/607  
D406,730 S \* 3/1999 Freese et al. .... D7/607

(75) Inventor: **Olivier Saint Georges**, Epernay (FR)

\* cited by examiner

(73) Assignee: **Champagne De Castellane**, Epernay (FR)

*Primary Examiner*—Terry A. Wallace

(\*\*) Term: **14 Years**

(74) *Attorney, Agent, or Firm*—Ohlandt, Greeley, Ruggiero & Perle, L.L.P.

(21) Appl. No.: **29/197,567**

(57) **CLAIM**

(22) Filed: **Jan. 16, 2004**

The ornamental design for an ice bucket, as shown and described.

(30) **Foreign Application Priority Data**

Jul. 18, 2003 (FR) ..... 03 3620

**DESCRIPTION**

(51) **LOC (7) Cl.** ..... **07-01**

FIG. 1 is a front perspective view of the ice bucket showing my new design;

(52) **U.S. Cl.** ..... **D7/604**; D3/232; D7/606; D7/607

FIG. 2 is a top plan view thereof;

(58) **Field of Search** ..... D7/603–608, 629; D3/232–246; 62/457.1–457.9; 220/915.1, 915.2; 383/109, 110, 113; 150/100, 106, 107, 111

FIG. 3 is a bottom plan view thereof;

FIG. 4 is a right side view thereof;

FIG. 5 is a left side view thereof;

FIG. 6 is a front perspective view thereof; and,

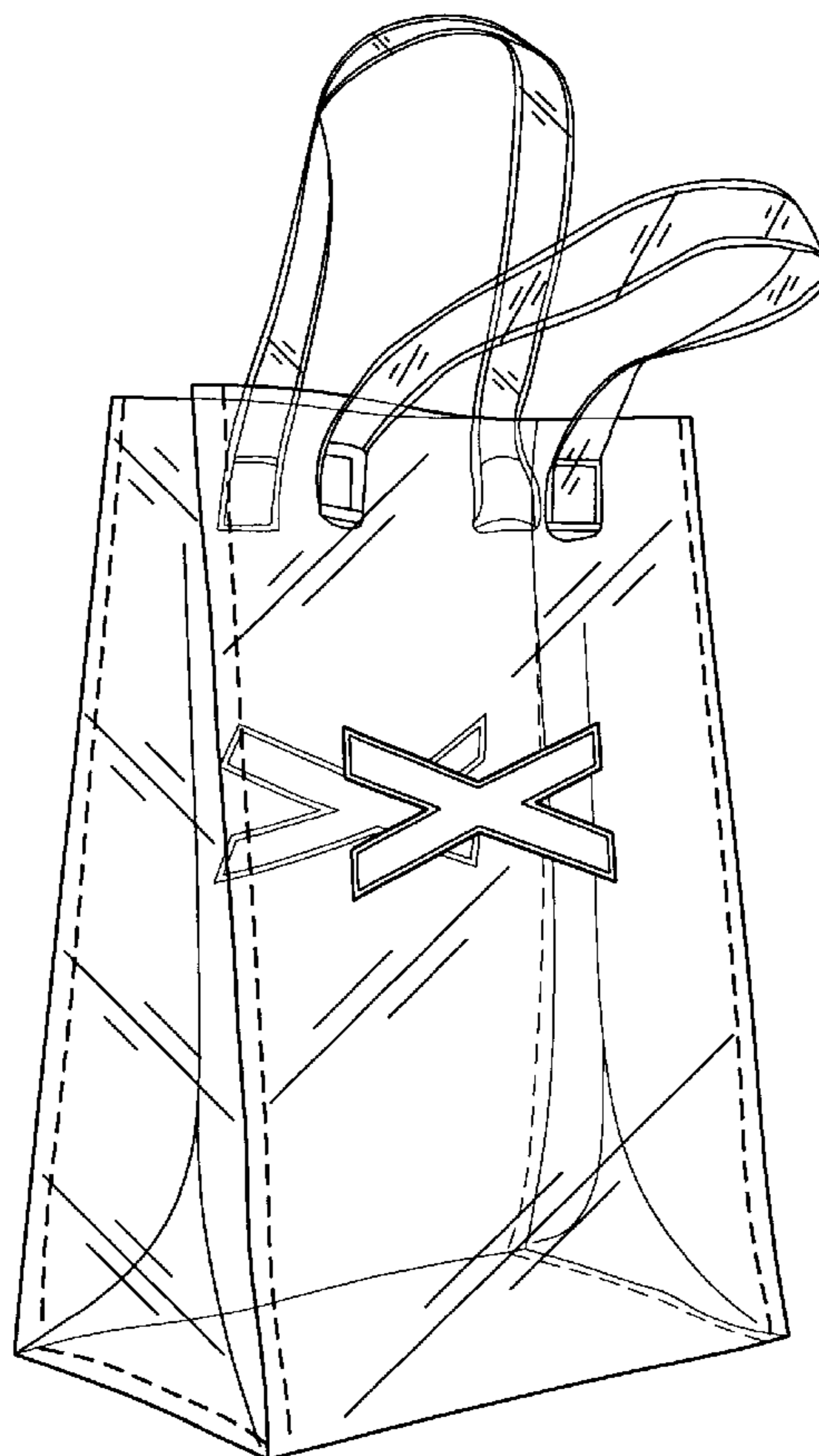
FIG. 7 is a rear perspective view thereof.

(56) **References Cited**

**U.S. PATENT DOCUMENTS**

D234,829 S \* 4/1975 Edwards ..... D3/285

**1 Claim, 3 Drawing Sheets**



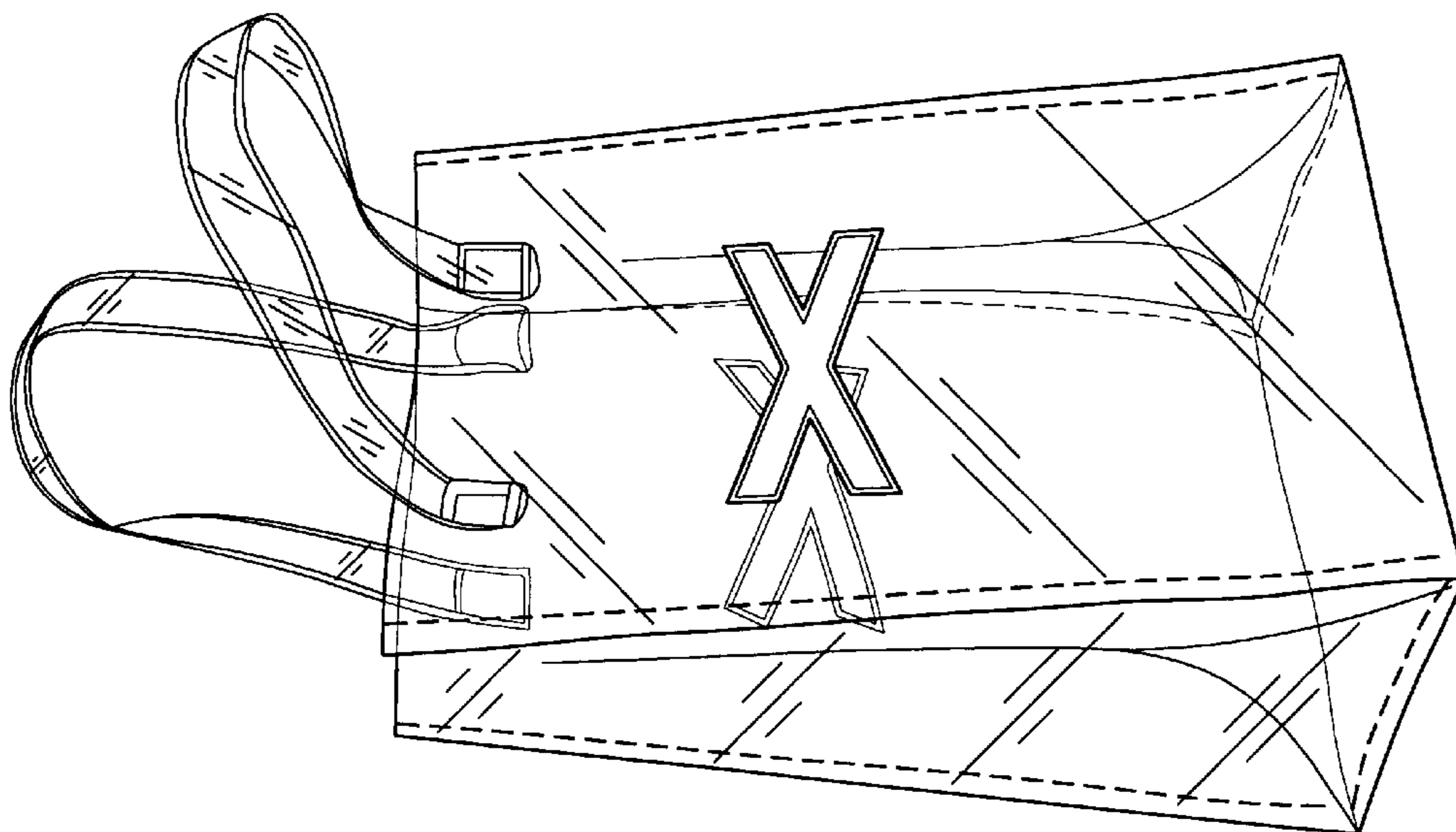


FIG. 1

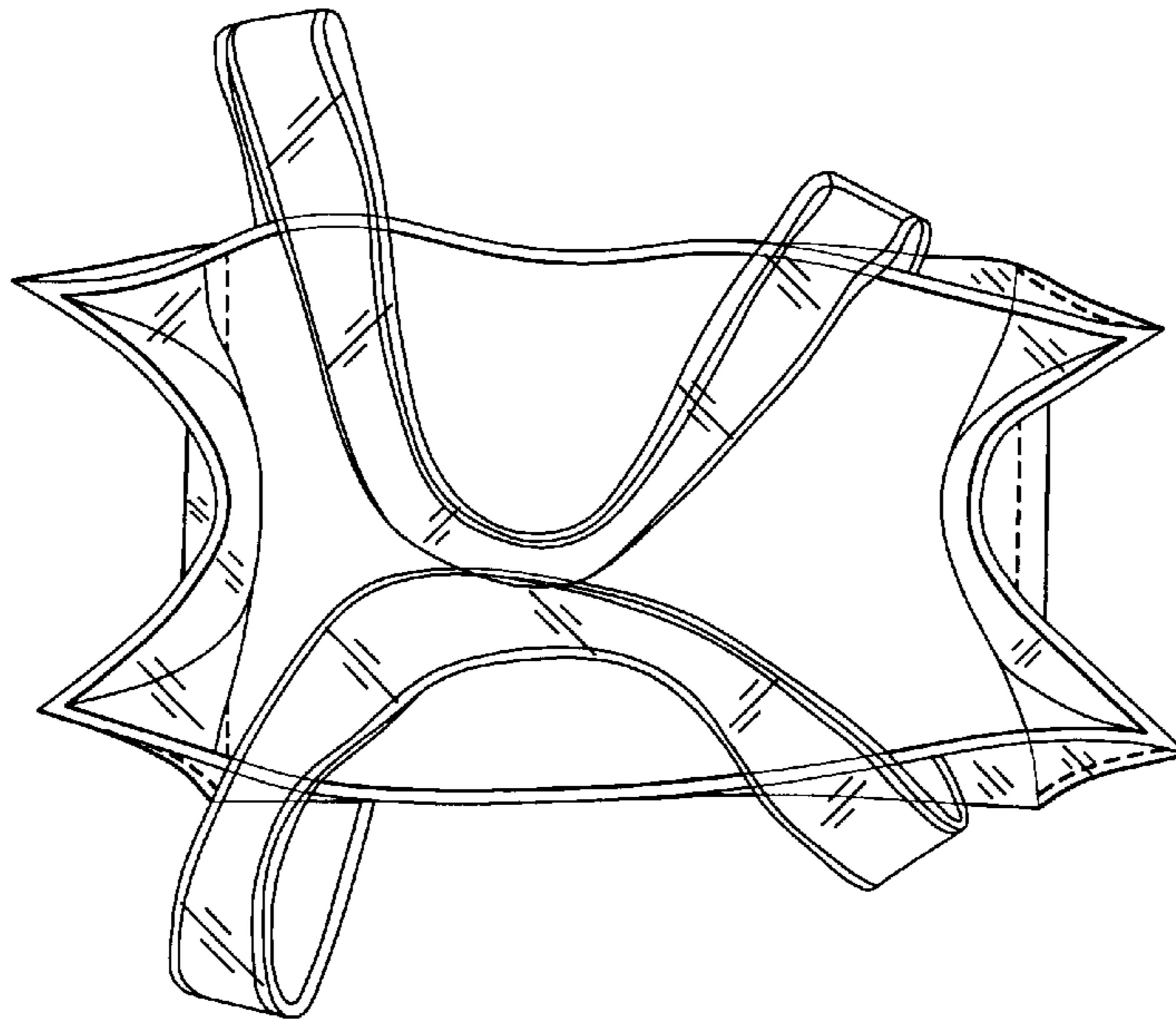


FIG. 2

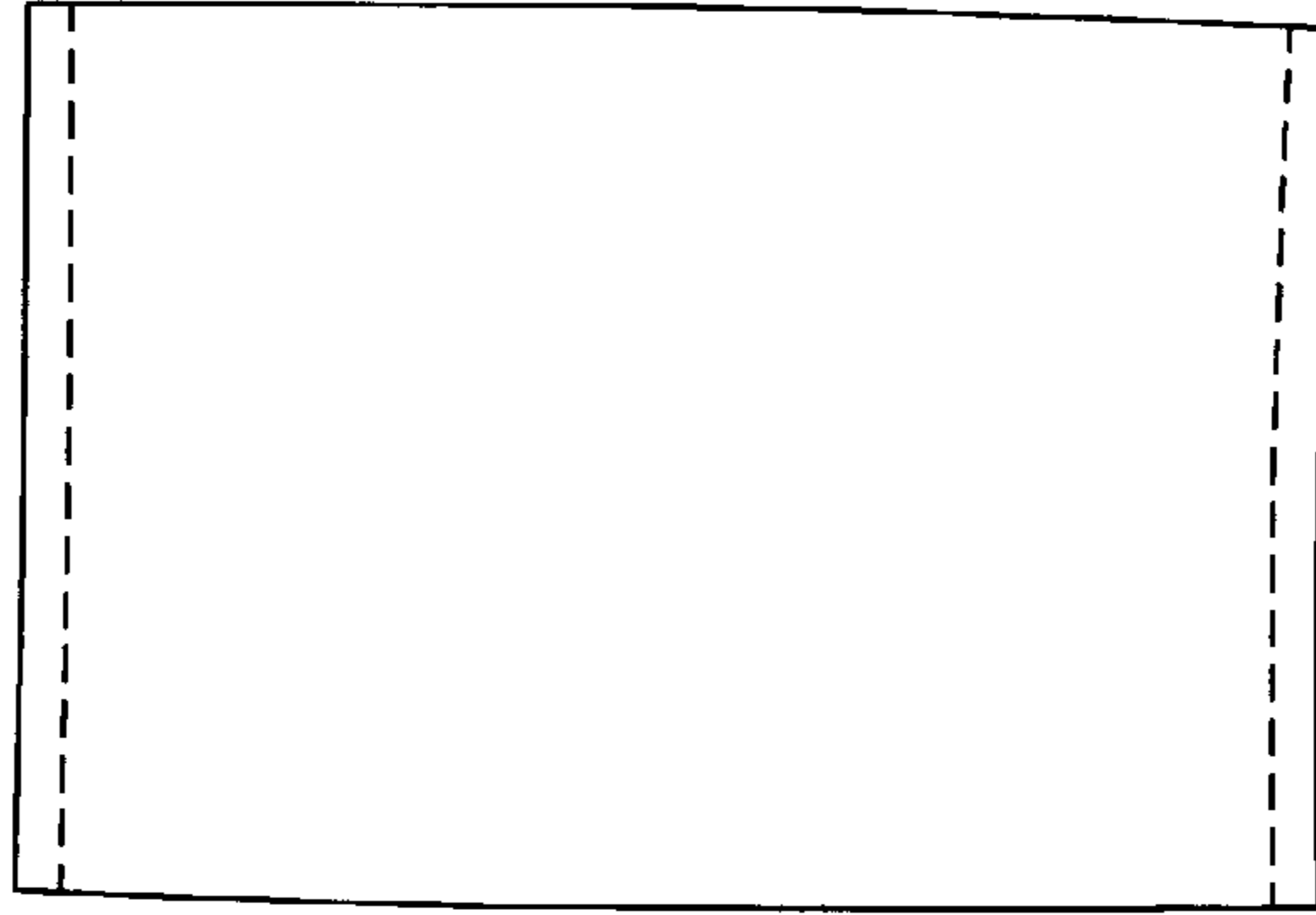


FIG. 3

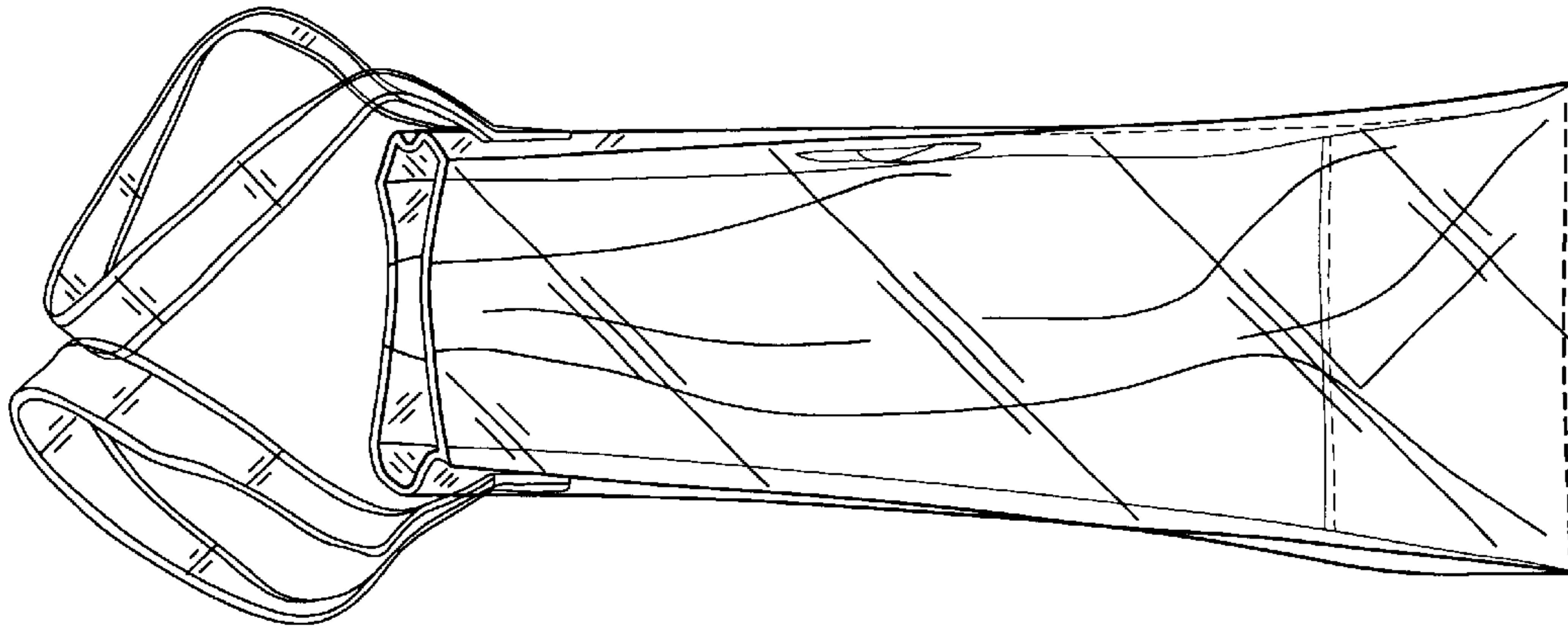


FIG. 5

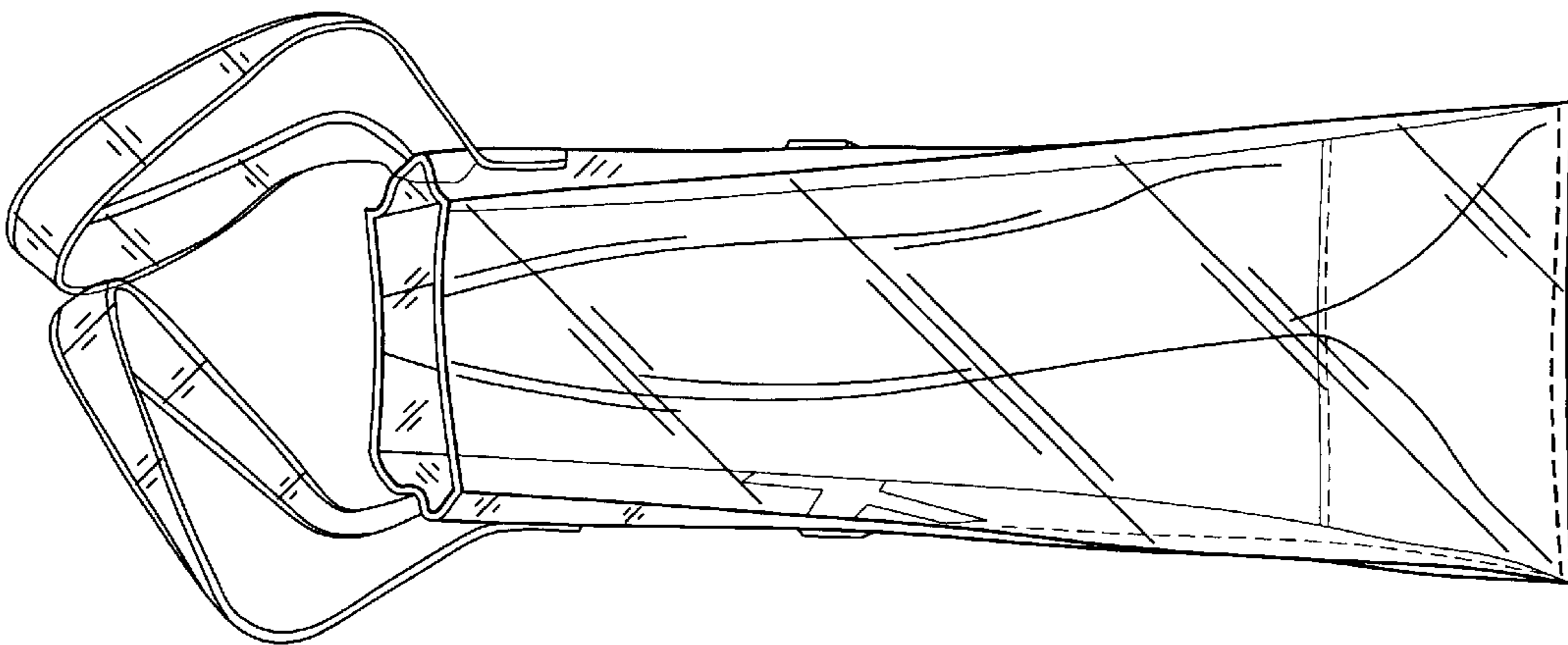


FIG. 4

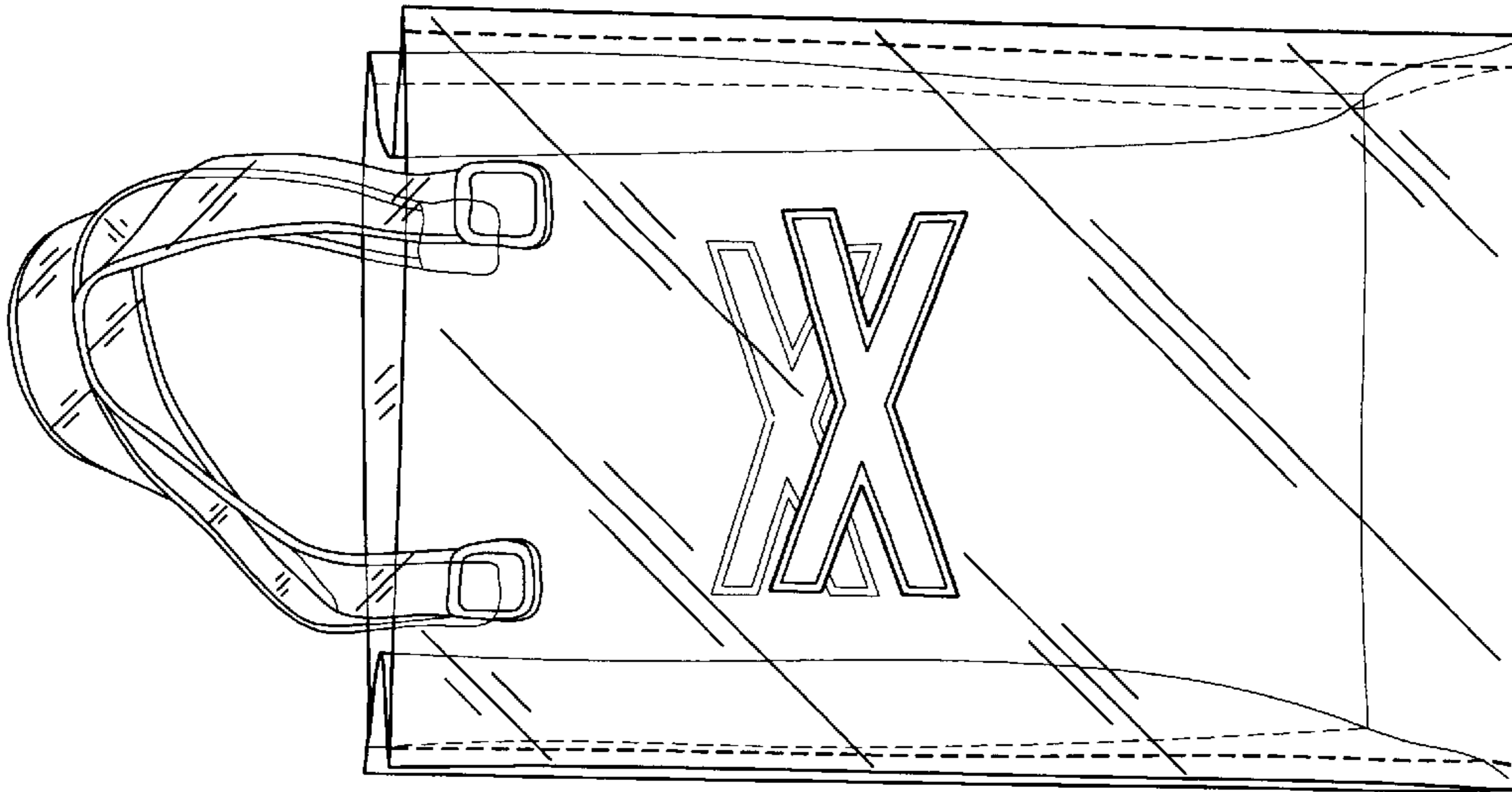


FIG. 6

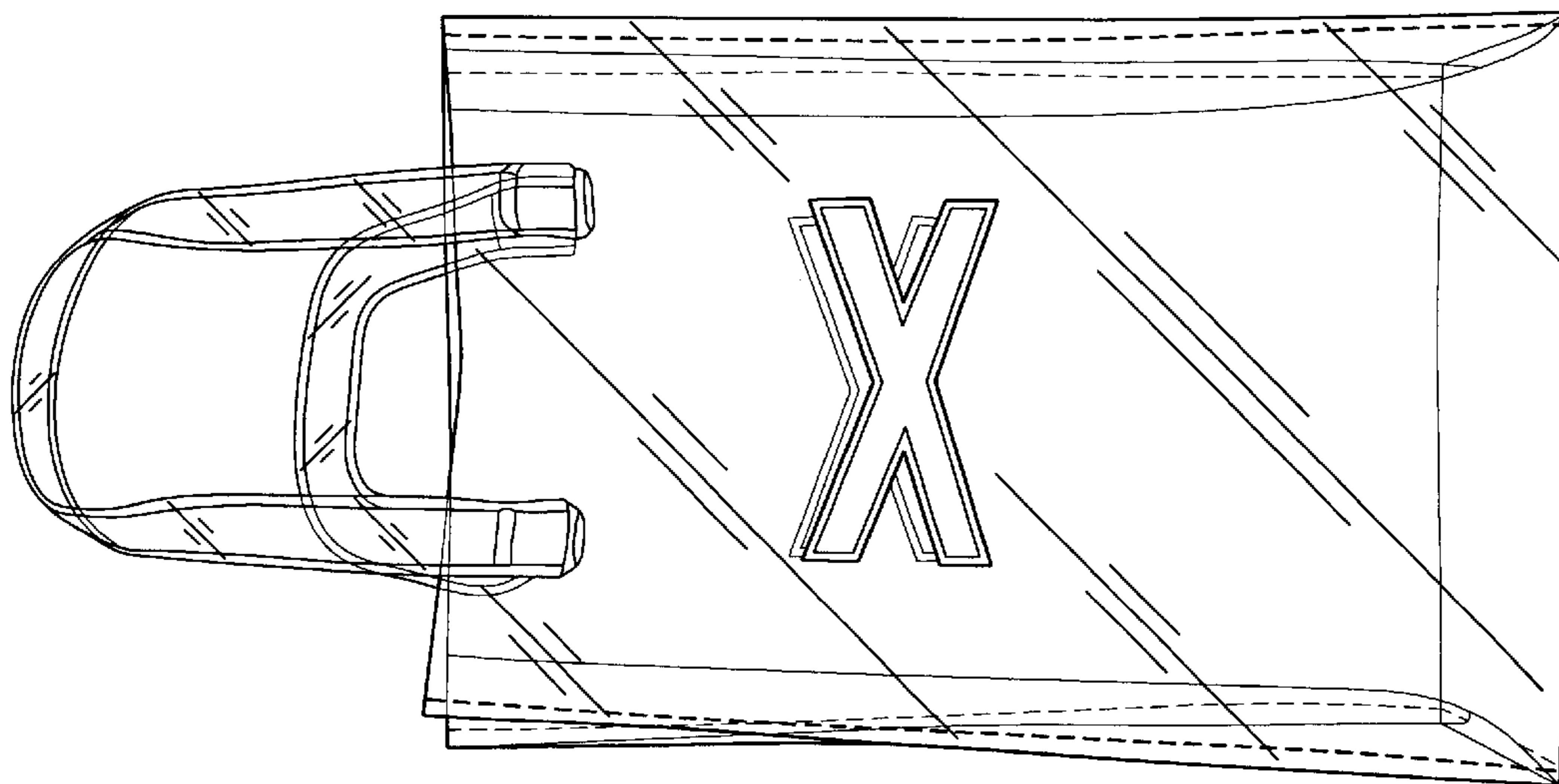


FIG. 7