

US00D505296S

(12) **United States Design Patent**
Thomas

(10) **Patent No.:** **US D505,296 S**

(45) **Date of Patent:** **** May 24, 2005**

(54) **TACO SERVING PLATE**

D373,510 S * 9/1996 Smith D7/555
D374,151 S * 10/1996 Malvasio D7/504

(76) **Inventor:** **Lamont C. Thomas**, 2655 Warrenton,
Colorado Springs, CO (US) 80922

* cited by examiner

(**) **Term:** **14 Years**

Primary Examiner—Terry A. Wallace
(74) *Attorney, Agent, or Firm*—G. F. Gallinger

(21) **Appl. No.:** **29/163,306**

(57) **CLAIM**

(22) **Filed:** **Jun. 26, 2002**

The ornamental design for a taco serving plate, as shown and described.

(51) **LOC (7) Cl.** **07-01**

(52) **U.S. Cl.** **D7/504**

(58) **Field of Search** D7/504, 549, 550.1,
D7/553.1, 553.6, 554.1, 554.2, 555, 557;
D9/341; 211/10, 11, 13.1, 71.01; 206/562–564,
557; 220/574, 575

DESCRIPTION

FIG. 1 is a plan perspective view of the taco serving plate.
FIG. 2 is a cross sectional view of the taco serving plate
taken along line 2—2 in FIG. 1.

FIG. 3 is a cross sectional view of the taco serving plate
taken along line 3—3 in FIG. 1; and,
FIG. 4 is a bottom perspective view of the taco serving plate.

(56) **References Cited**

U.S. PATENT DOCUMENTS

1,945,013 A * 1/1934 Frank 220/574

1 Claim, 2 Drawing Sheets

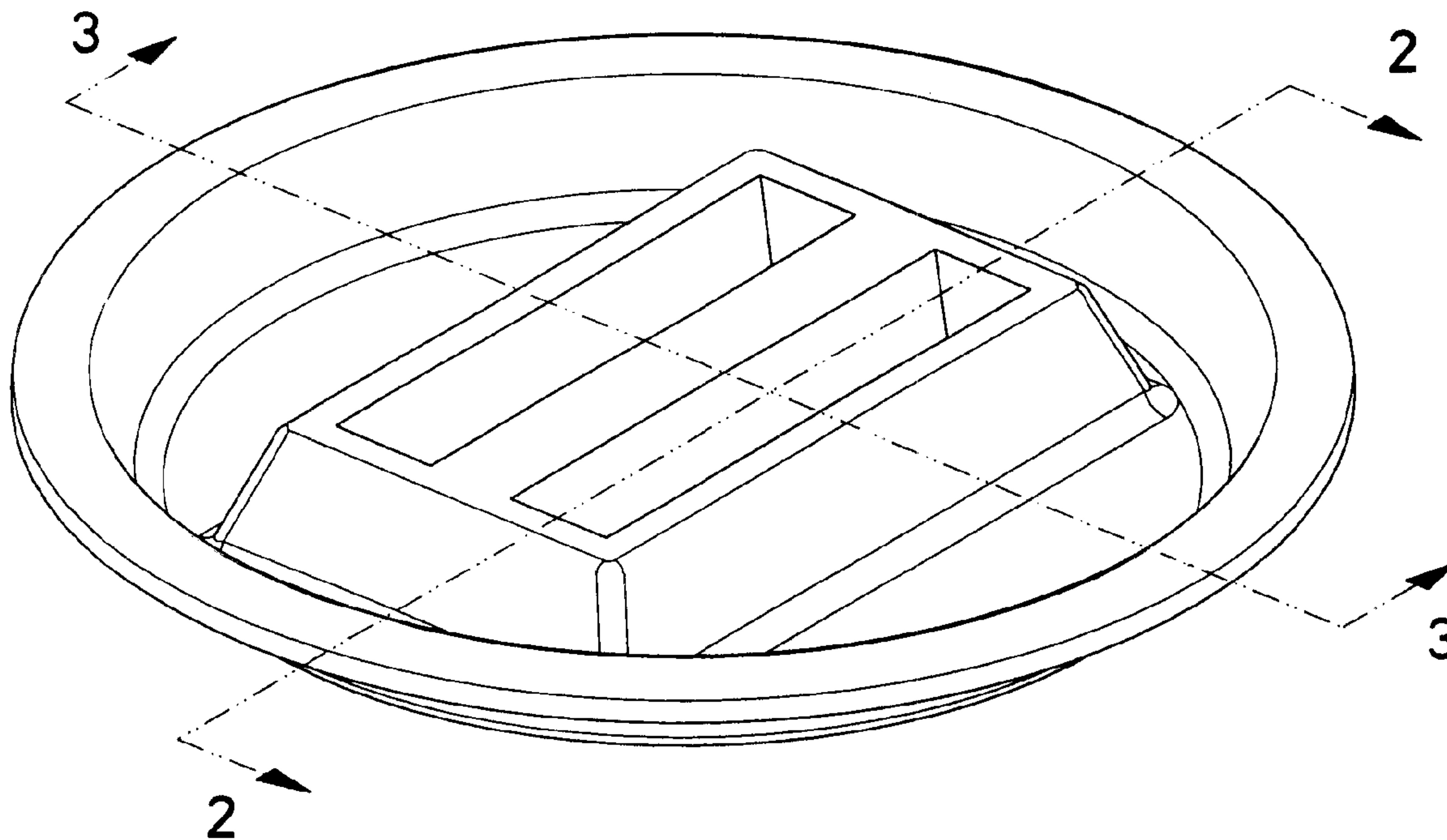


Fig. 1

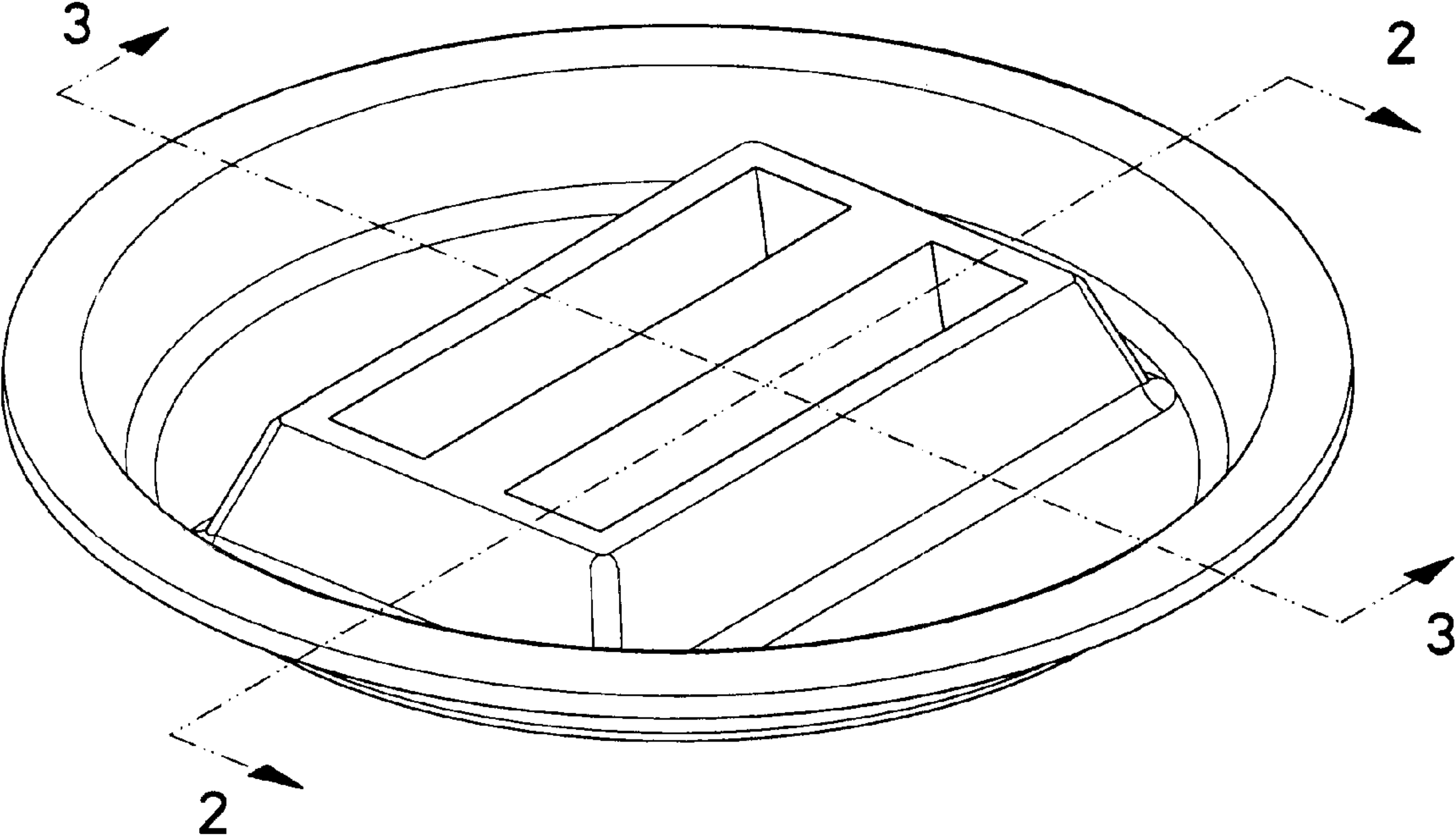


Fig. 2

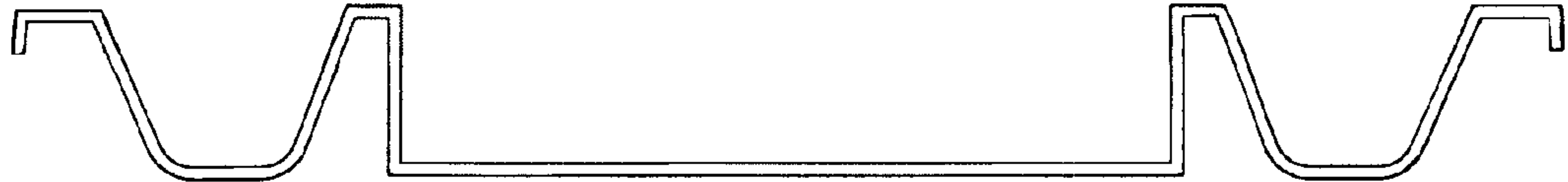


Fig. 3

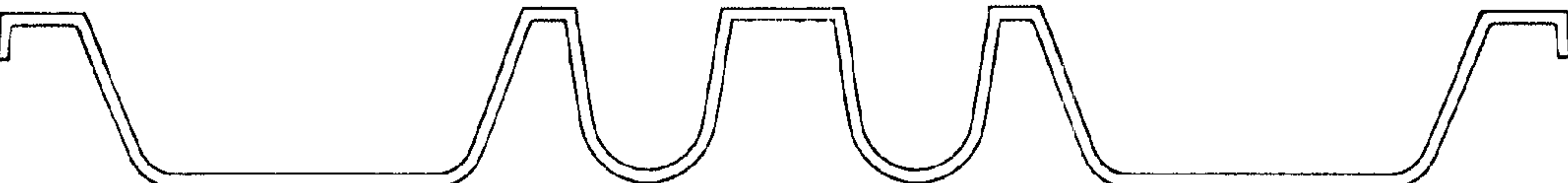


Fig. 4

