

US00D505295S

(12) **United States Design Patent** (10) **Patent No.:** **US D505,295 S**
Norris et al. (45) **Date of Patent:** **** May 24, 2005**

(54) **BEVERAGEWARE HANDLE**
 (75) Inventors: **Daniel A. Norris**, Williamsville, NY
 (US); **Ron Lapsker**, Maple (CA)
 (73) Assignee: **ProSoft International, Inc.**, St.
 Michael (BB)
 (**) Term: **14 Years**
 (21) Appl. No.: **29/210,110**
 (22) Filed: **Jul. 27, 2004**

Related U.S. Application Data

(62) Division of application No. 29/197,278, filed on Jan. 13,
 2004.
 (51) **LOC (7) Cl.** **07-01**
 (52) **U.S. Cl.** **D7/394; D7/396.2; D7/536**
 (58) **Field of Search** **D7/394, 509, 533,**
D7/523, 510, 511, 396.2, 393, 396.6; 220/573.1,
703, 23.83, 769, 729, 713, 23.86, 737,
592.1; 215/396, 398; 206/217, 527; 229/400;
294/31.2, 33; 248/346.1, 205; D23/332

References Cited

U.S. PATENT DOCUMENTS

D29,252 S 8/1898 Bogert
 D67,738 S * 7/1925 Bell D7/532
 D70,476 S 6/1926 Heisey
 D73,031 S 7/1927 Heisey
 D78,171 S * 4/1929 Stern D7/536
 D94,000 S 12/1934 Sebring
 D96,566 S 8/1935 Straus
 2,028,566 A 1/1936 Seipel et al.
 D108,220 S 2/1938 Shapiro
 D108,957 S 3/1938 Kelly
 D112,560 S * 12/1938 Cunningham D7/532
 D112,799 S 1/1939 Watson
 D118,650 S 1/1940 Sawyer
 D120,226 S 4/1940 Lundy
 D124,317 S 12/1940 Lundy
 D155,289 S 9/1949 Hoople

D170,409 S 9/1953 Hare
 2,717,619 A 9/1955 Whitman
 2,747,387 A 5/1956 Sweem
 D196,598 S 10/1963 Lewis
 3,151,798 A * 10/1964 Meagher 220/23.83
 D236,936 S 9/1975 Achenbach
 D243,816 S 3/1977 Achenbach
 D246,882 S 1/1978 Thrush
 D250,314 S 11/1978 Elliott et al.
 D277,821 S 3/1985 Nestrock
 D321,626 S 11/1991 Kouts
 D337,526 S 7/1993 Teo
 D347,763 S 6/1994 Kleckauskas et al.
 D356,234 S * 3/1995 Wolfenden D7/536
 D359,196 S 6/1995 Nichols
 D362,369 S 9/1995 Bridges
 D363,415 S * 10/1995 Carlson D7/536
 D369,277 S 4/1996 Lin
 D376,731 S 12/1996 Lin
 D387,619 S 12/1997 Gross et al.
 D388,509 S 12/1997 Hsiao
 D397,905 S 9/1998 Hsu

(Continued)

Primary Examiner—M. N. Pandozzi
 (74) *Attorney, Agent, or Firm*—Hodgson Russ LLP

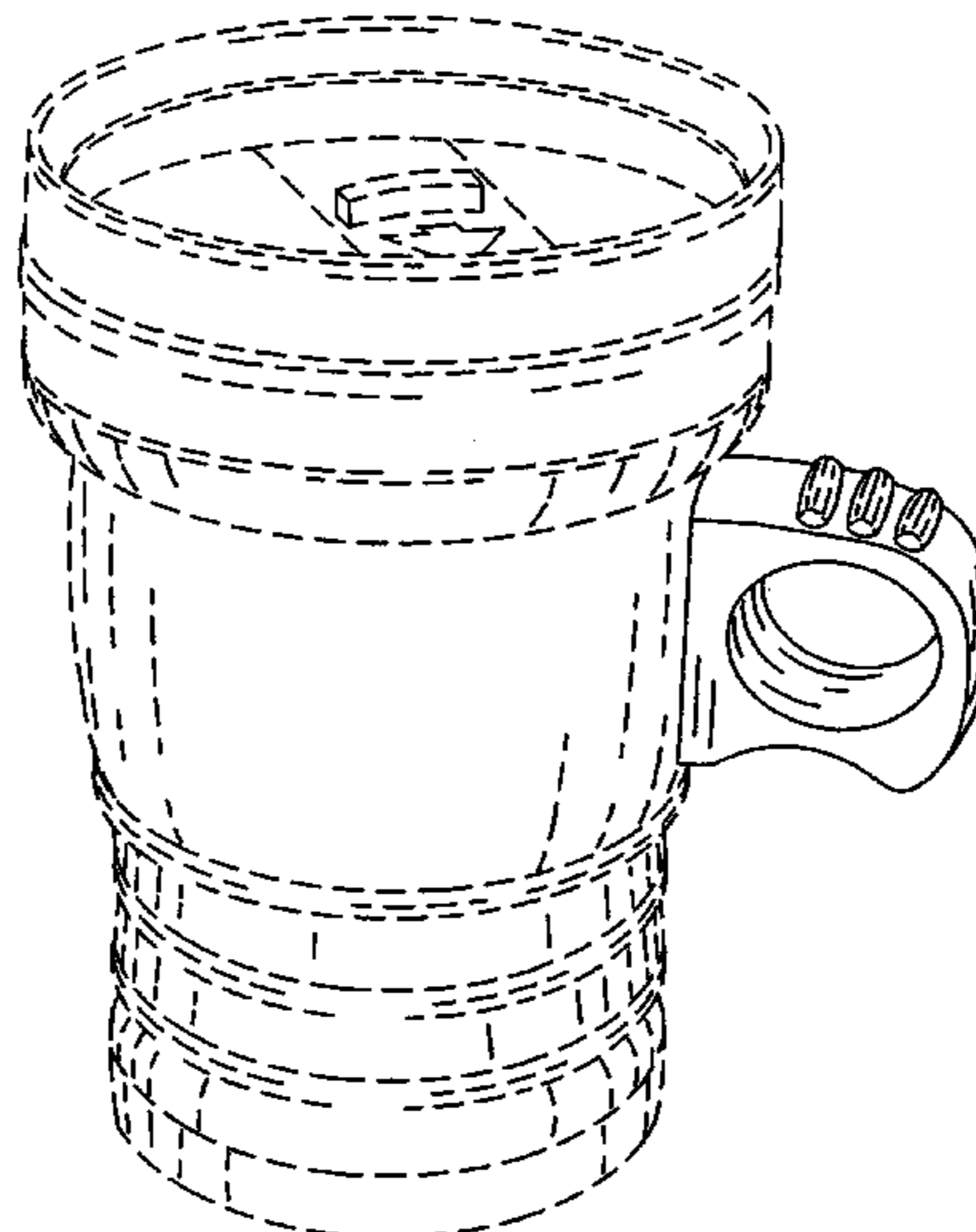
(57) **CLAIM**

The ornamental design for a beverageware handle, as shown and described.

DESCRIPTION

FIG. 1 is a perspective view of a beverageware handle showing our new design;
 FIG. 2 is a right-hand side elevational view thereof, the left-hand side view thereof being a mirror image of the side shown;
 FIG. 3 is a front elevational view thereof;
 FIG. 4 is a top plan view thereof; and,
 FIG. 5 is a bottom plan view thereof.
 The broken lines in the drawings are for illustrative purposes only and form no part of the claimed design.

1 Claim, 3 Drawing Sheets



US D505,295 S

Page 2

U.S. PATENT DOCUMENTS

D397,912 S	9/1998	Goessling, Jr.	
D398,815 S	9/1998	Hatsumoto et al.	
D400,401 S	* 11/1998	Lynd	D7/536
D406,011 S	2/1999	Hatsumoto et al.	
D407,946 S	4/1999	Brewer et al.	
D408,220 S	4/1999	Chomik	
D409,441 S	5/1999	Stephenson	
D410,174 S	5/1999	Sheu	
D412,088 S	7/1999	Otake	
D416,757 S	11/1999	Ginuntoli	
D417,591 S	12/1999	Roehrig	
D422,842 S	4/2000	Freed	
D424,878 S	5/2000	Freed	
D425,758 S	5/2000	Freed	
D426,109 S	6/2000	Freed	
D426,750 S	* 6/2000	Madden-Askew	D7/536
D427,489 S	7/2000	Henry	
D427,853 S	7/2000	Kohlhase	
D431,159 S	9/2000	Otake	
D432,359 S	10/2000	Madden-Askew	
D435,195 S	12/2000	Joergensen	
D436,294 S	1/2001	Marck	
D437,185 S	2/2001	Freed	
D439,473 S	3/2001	Lin	
D442,029 S	5/2001	Otake	
D442,436 S	5/2001	Kleckauskas et al.	
D445,001 S	7/2001	Lin	
D451,762 S	12/2001	Tessmer	
D456,214 S	4/2002	Wyche	
D457,395 S	5/2002	Gluck	
D458,082 S	6/2002	Gluck	
D460,324 S	7/2002	Norris et al.	
D460,661 S	7/2002	Norris et al.	
D462,578 S	* 9/2002	Janky	D7/533
D462,875 S	9/2002	Norris et al.	
6,450,363 B1	9/2002	Lin	
D467,124 S	12/2002	Janky	
D468,588 S	1/2003	Norris et al.	
6,527,137 B1	3/2003	Kleckauskas et al.	
D472,425 S	4/2003	Hurlbut et al.	
D476,528 S	* 7/2003	Janky et al.	D7/536
D479,669 S	9/2003	Norris et al.	
D479,670 S	9/2003	Webb	
D479,671 S	9/2003	Gluck	
D480,916 S	* 10/2003	Norris et al.	D7/532
D480,917 S	10/2003	Holsinger et al.	
D480,918 S	10/2003	Belton et al.	
D480,919 S	10/2003	Bin	
D481,590 S	11/2003	Lin	
D481,591 S	11/2003	Lin	
D485,730 S	* 1/2004	Thun	D7/511

* cited by examiner

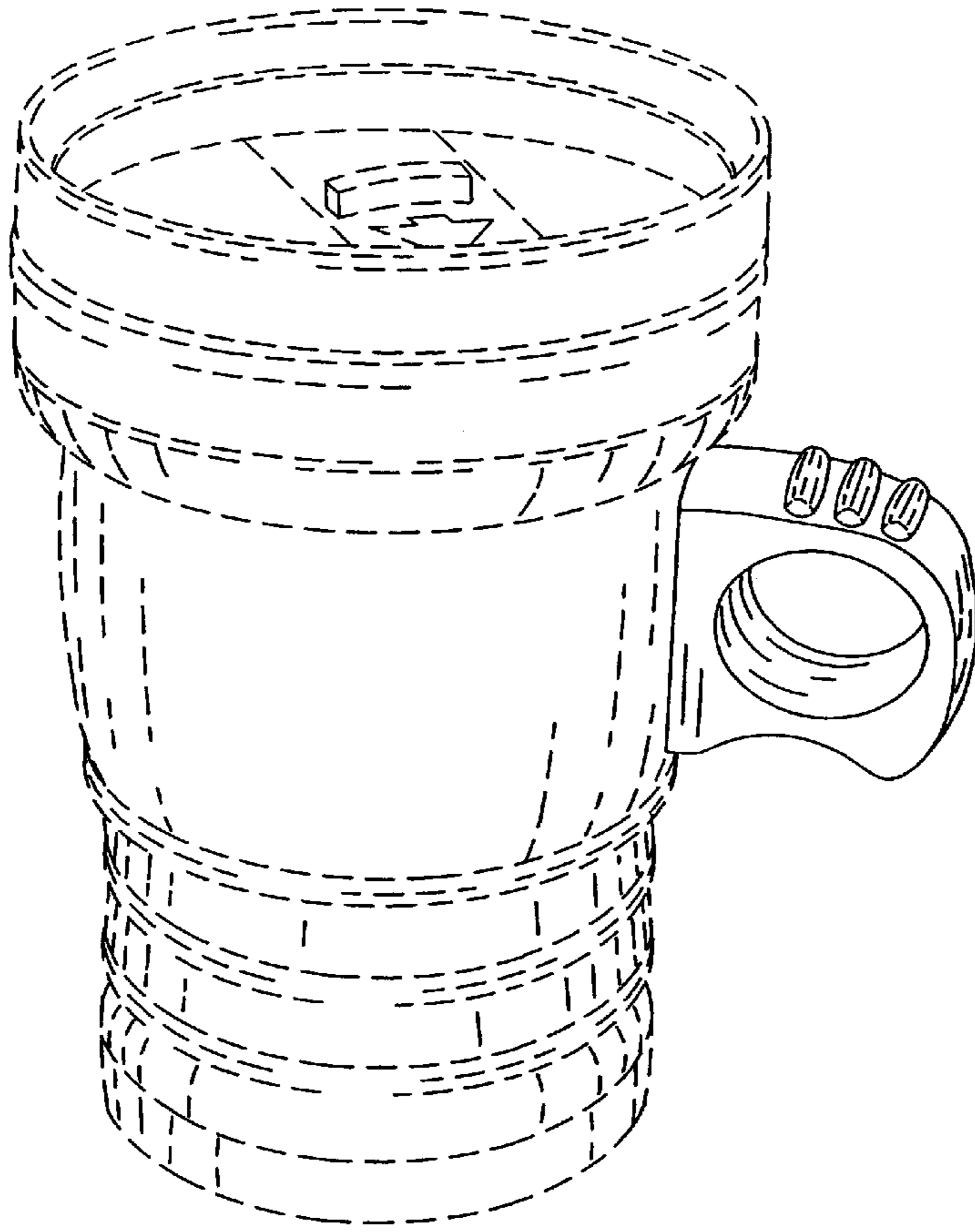


Fig. 1

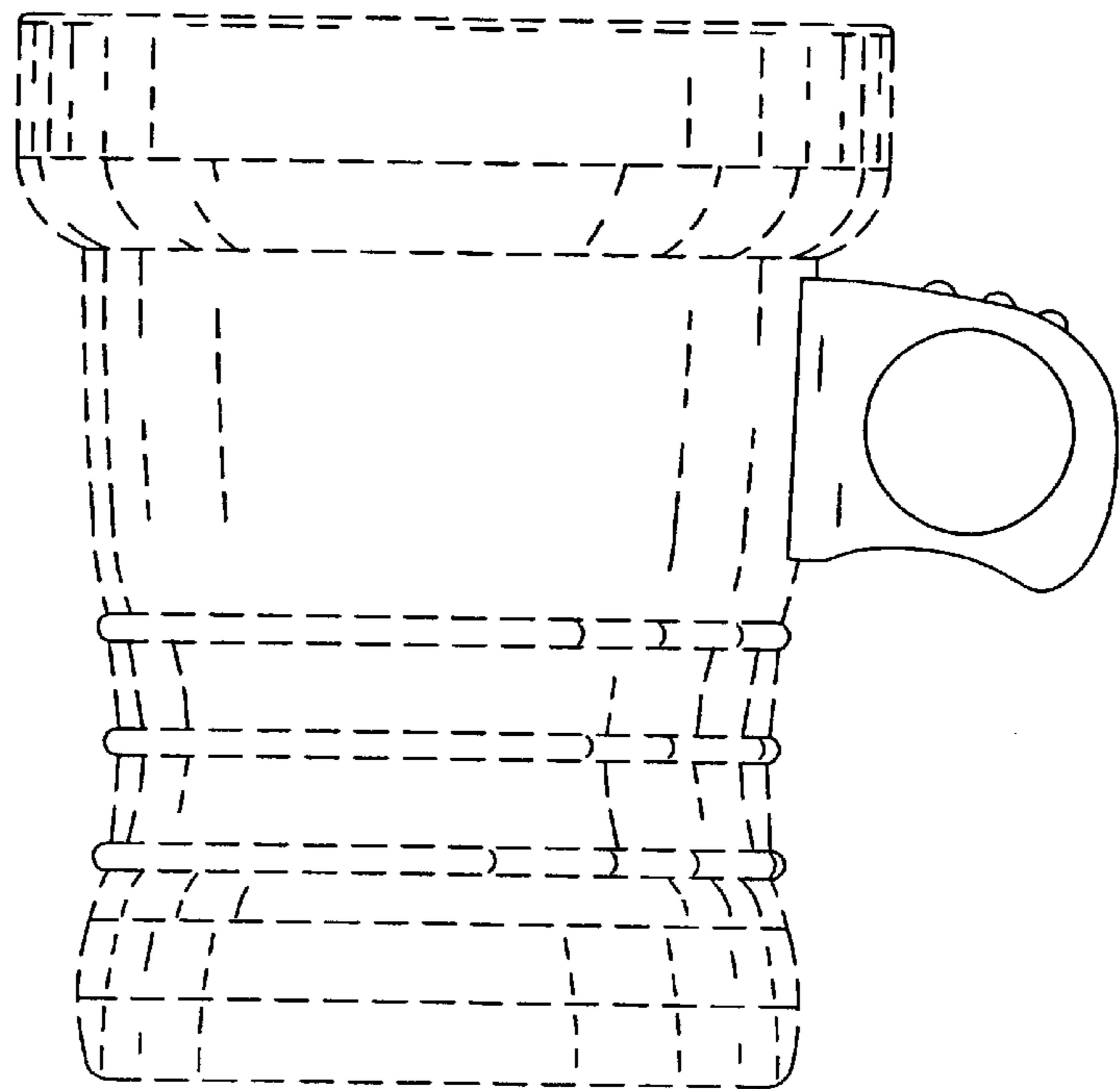


Fig. 2

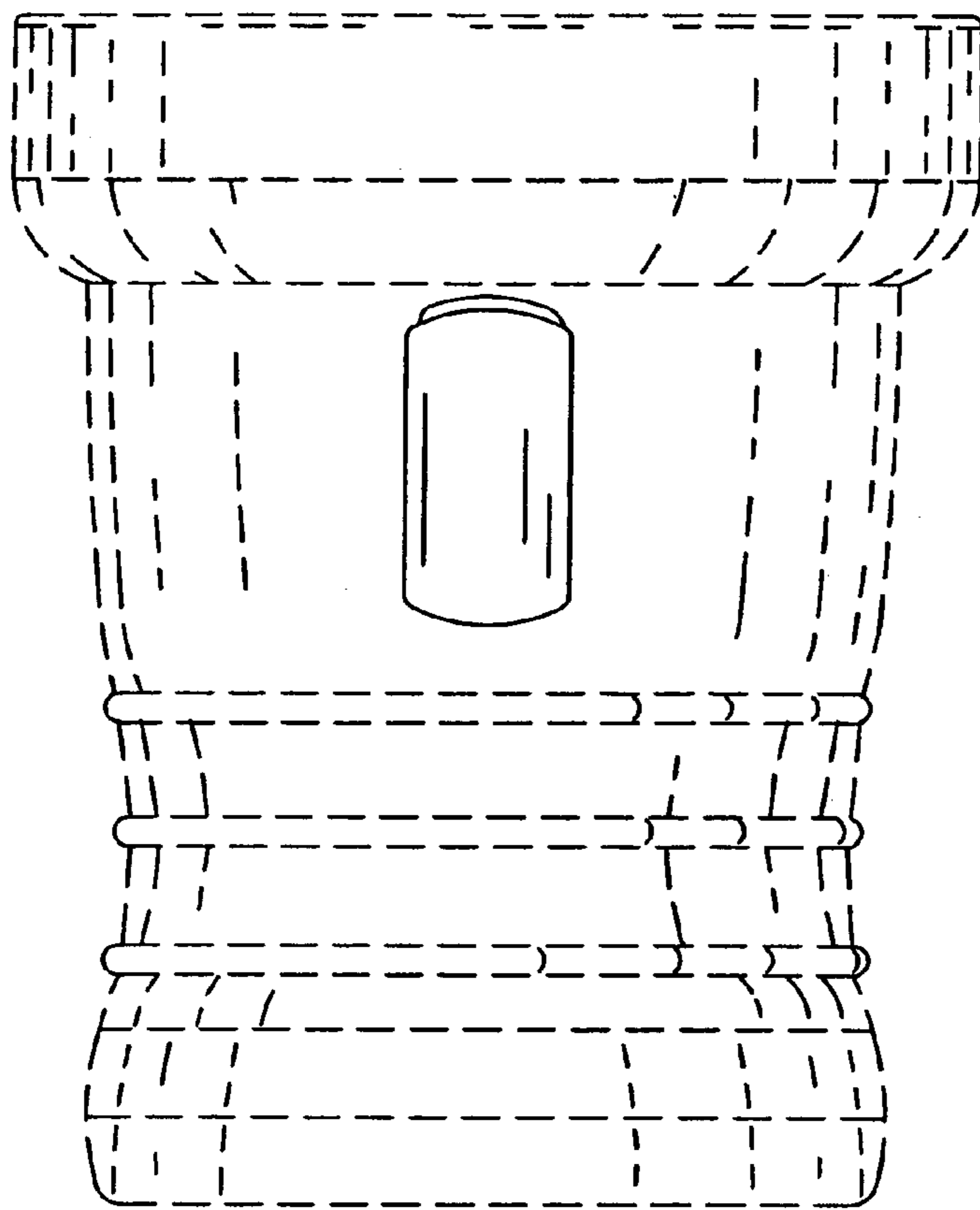


Fig. 3

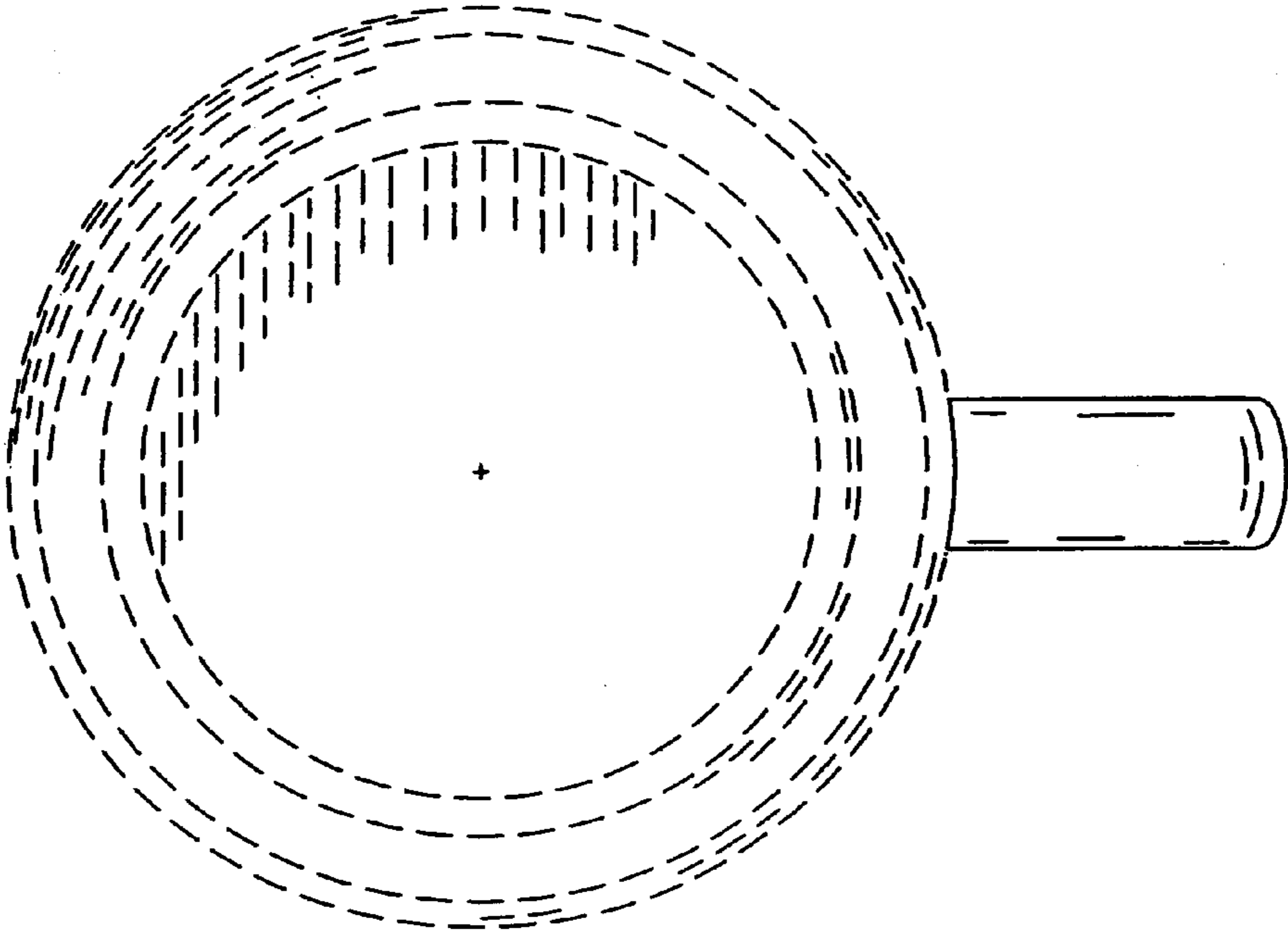


Fig. 4

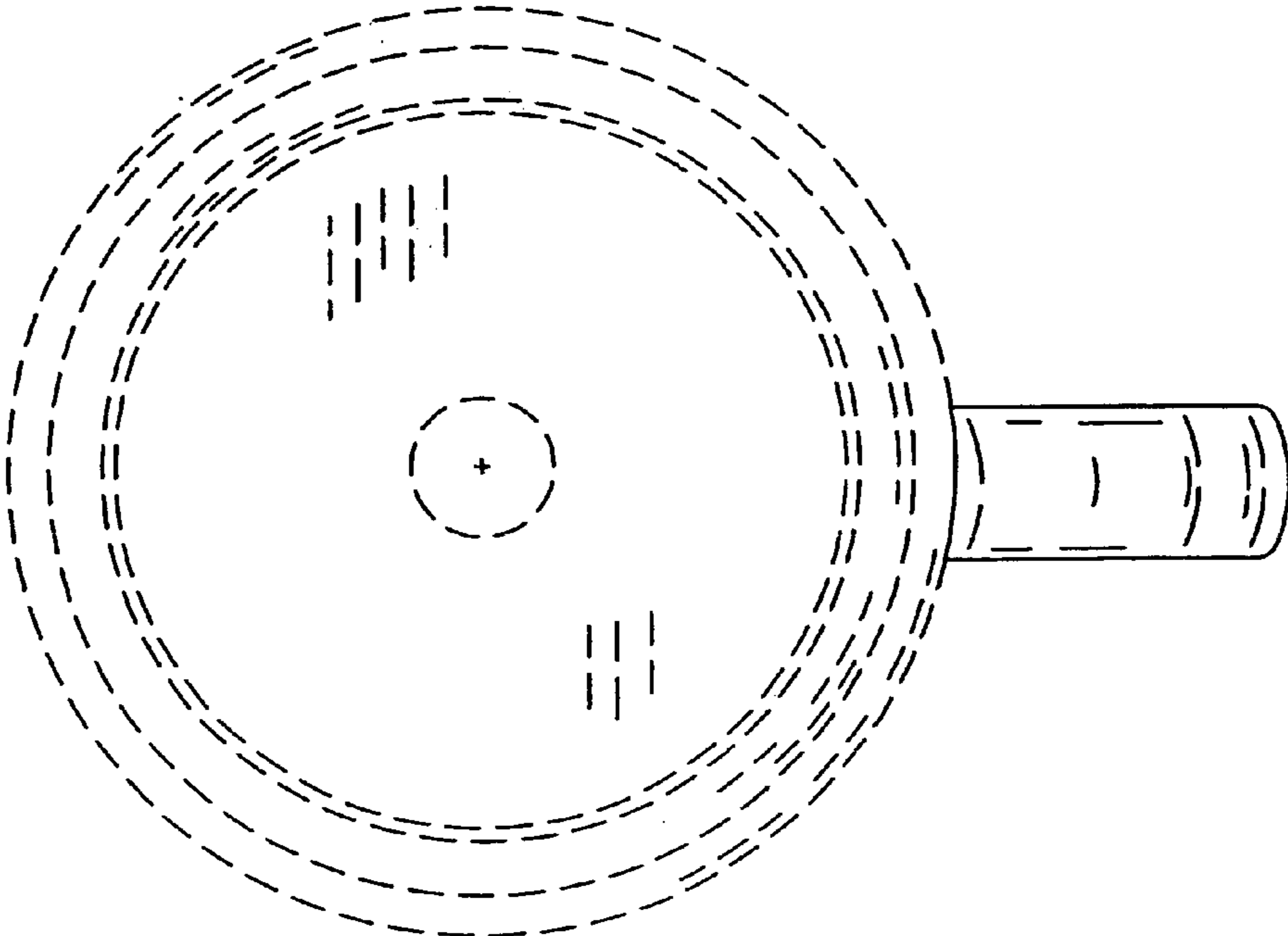


Fig. 5