

US00D505294S

(12) **United States Design Patent**
Gauss

(10) **Patent No.:** **US D505,294 S**

(45) **Date of Patent:** **** May 24, 2005**

(54) **WATER BOTTLE LID**

(75) **Inventor:** **Kurt F. Gauss, Spokane, WA (US)**

(73) **Assignee:** **GSI Sports Products, Inc., Spokane, WA (US)**

(**) **Term:** **14 Years**

(21) **Appl. No.:** **29/215,497**

(22) **Filed:** **Oct. 19, 2004**

(51) **LOC (7) Cl.** **07-01**

(52) **U.S. Cl.** **D7/392.1**

(58) **Field of Search** D7/392.1, 509,
D7/510, 391, 392, 601, 602, 538, 541,
542, 396.2, 612; D9/529, 530, 543, 540,
522, 516, 449, 447, 435, 503, 440, 445,
466, 454; 222/484, 494; 215/365, 384,
389, 383; 220/771; 206/459.5

(56) **References Cited**

U.S. PATENT DOCUMENTS

D91,653 S	*	3/1934	Guyer	D9/543
D221,133 S	*	7/1971	Wikke	D9/529
5,065,909 A		11/1991	Pino et al.		
5,242,079 A		9/1993	Stephens et al.		
5,330,054 A		7/1994	Brown		
5,350,078 A		9/1994	Potts et al.		
D351,761 S		10/1994	Feer		
5,477,994 A		12/1995	Feer et al.		
D368,035 S	*	3/1996	Ahern, Jr.	D9/556
D370,153 S	*	5/1996	Chaney et al.	D7/511
5,615,809 A	*	4/1997	Feer et al.	222/484
D398,479 S	*	9/1998	Vultaggio et al.	D7/533
D409,043 S	*	5/1999	Lillelund et al.	D7/392
D421,547 S	*	3/2000	Demers	D7/510
D425,362 S	*	5/2000	Meyers et al.	D7/392
D429,648 S	*	8/2000	Goettner	D9/540
D433,729 S	*	11/2000	Poirier et al.	D7/511

D443,518 S	*	6/2001	Goettner	D9/530
D443,825 S	*	6/2001	Goettner	D9/530
D445,691 S	*	7/2001	Farris	D9/530
D460,696 S	*	7/2002	Goettner	D9/558
6,626,314 B1	*	9/2003	McHenry et al.	220/254.2
D481,637 S	*	11/2003	Desouza	D9/522
D488,919 S	*	4/2004	Hurlbut	D3/202
D491,812 S	*	6/2004	Eberle et al.	D9/516
D493,110 S	*	7/2004	Levesque	D9/530
D496,559 S	*	9/2004	Bodum	D7/510
6,796,464 B1	*	9/2004	Tung	222/402.17

OTHER PUBLICATIONS

Photo of prior art (Starbucks water bottle).
Website: <http://www.nalgene-outdoor.com/>.

* cited by examiner

Primary Examiner—Stacia Cadmus
Assistant Examiner—Terrence Huang
(74) *Attorney, Agent, or Firm*—Wells St. John P.S.

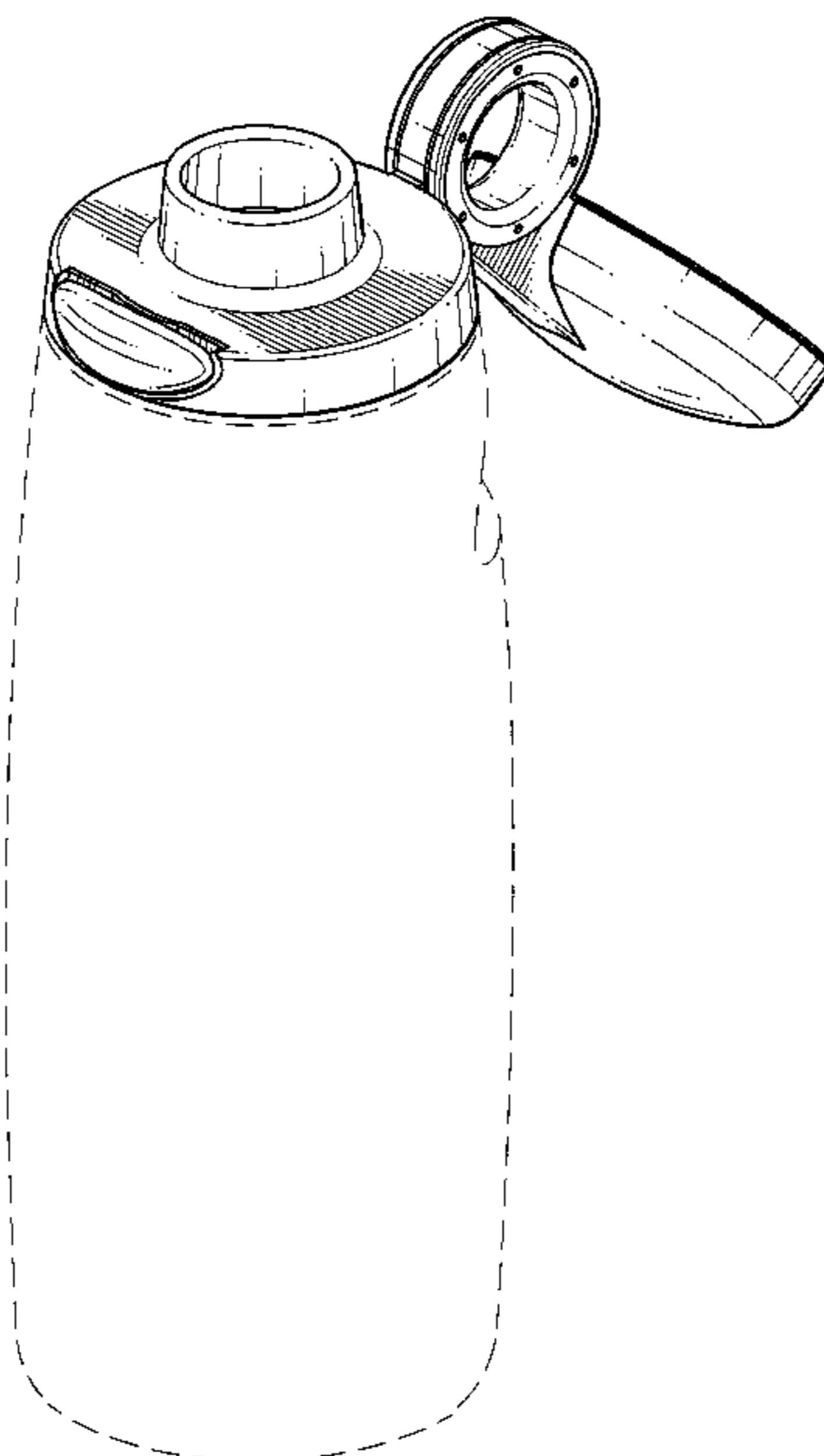
(57) **CLAIM**

The ornamental design for a water bottle lid, as shown and described.

DESCRIPTION

FIG. 1 is a perspective view of a water bottle lid showing my new design;
FIG. 2 is a top plan view thereof;
FIG. 3 is right side view thereof;
FIG. 4 is a bottom view thereof;
FIG. 5 is a left side view thereof;
FIG. 6 is a front view thereof;
FIG. 7 is back view thereof; and,
FIG. 8 is a side view thereof.
The broken lines in the figures are for illustrative purposes only and form no part of the claimed design.

1 Claim, 5 Drawing Sheets



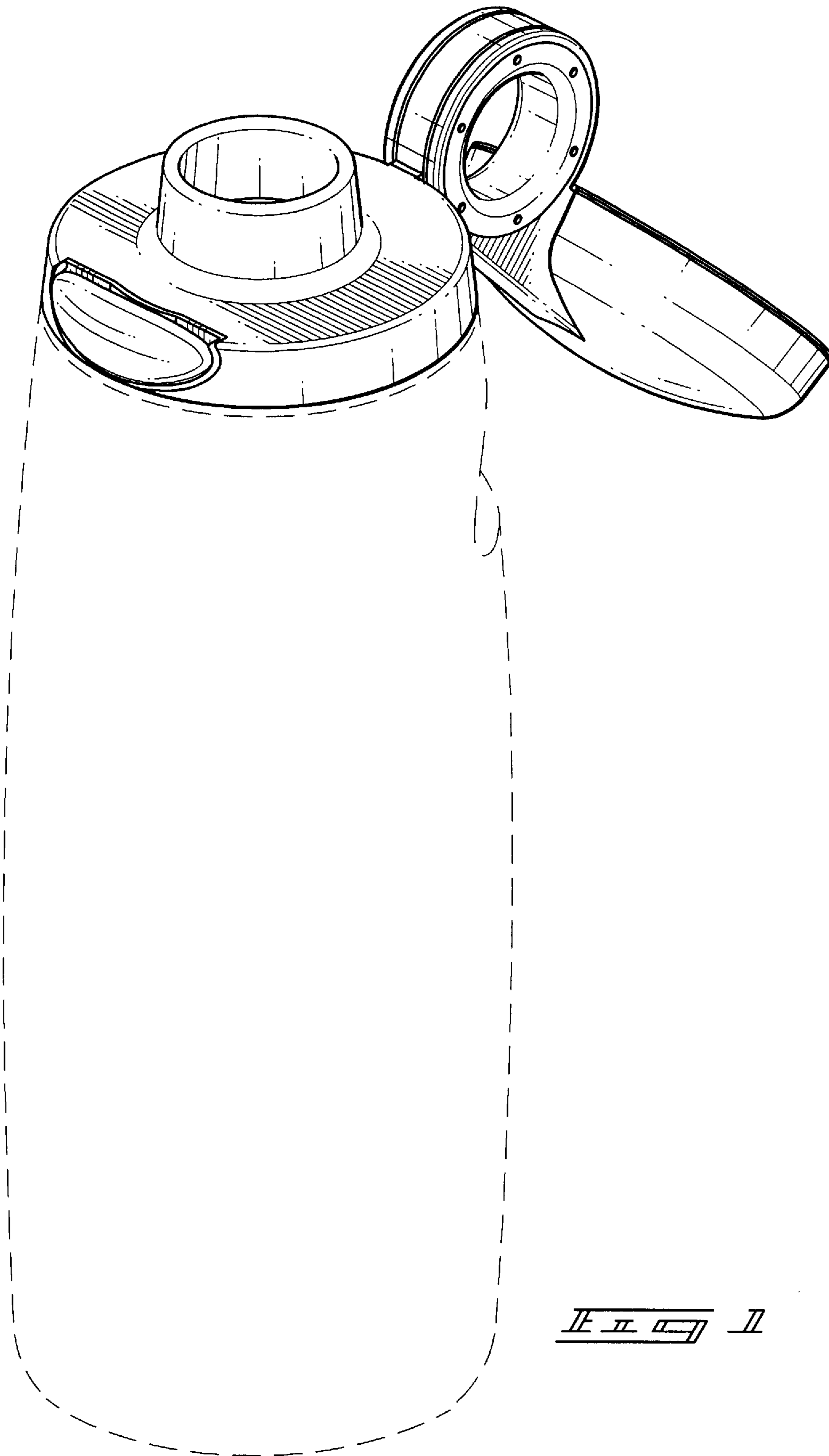
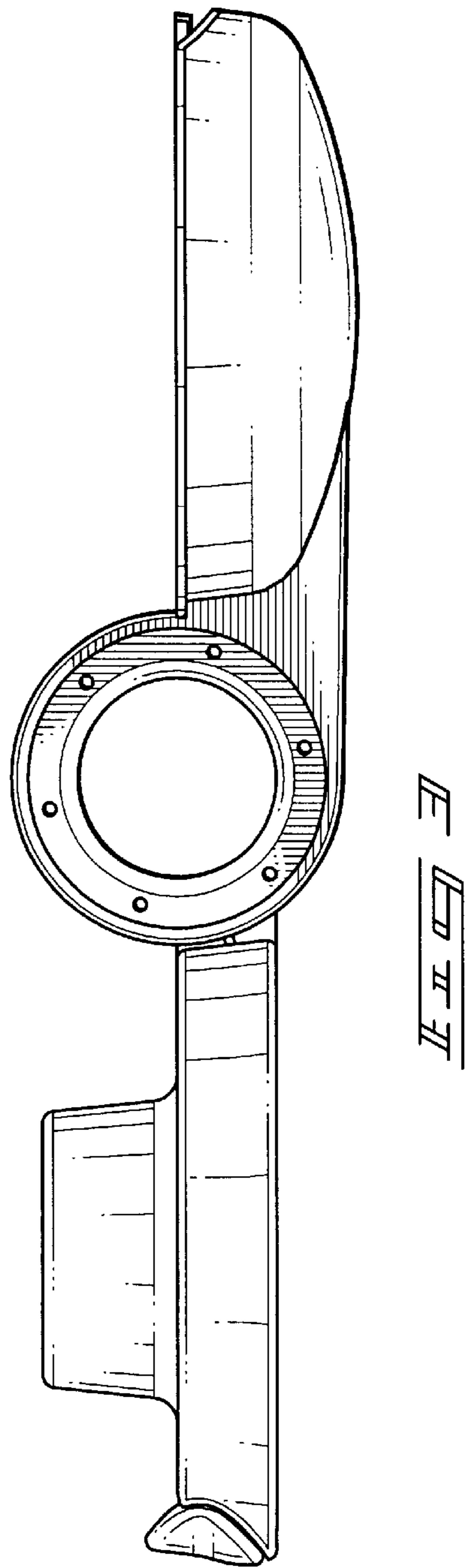
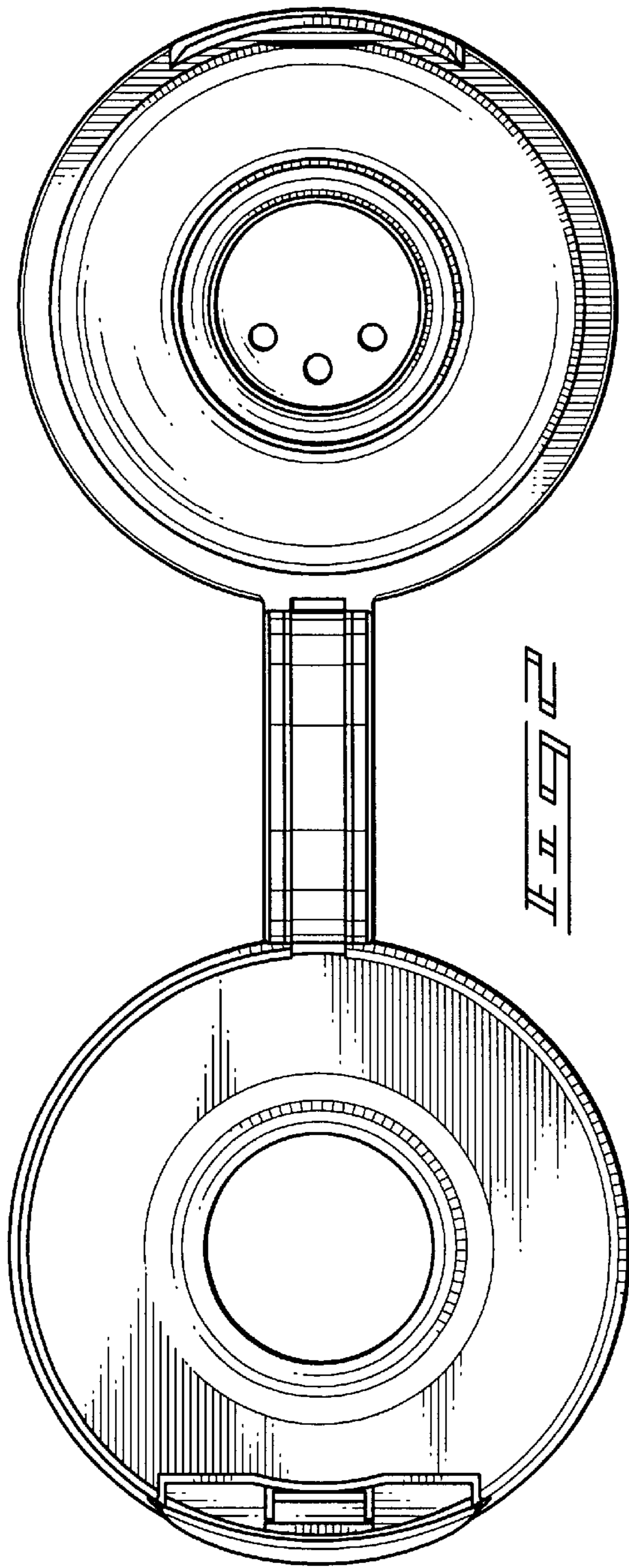


FIG. 1



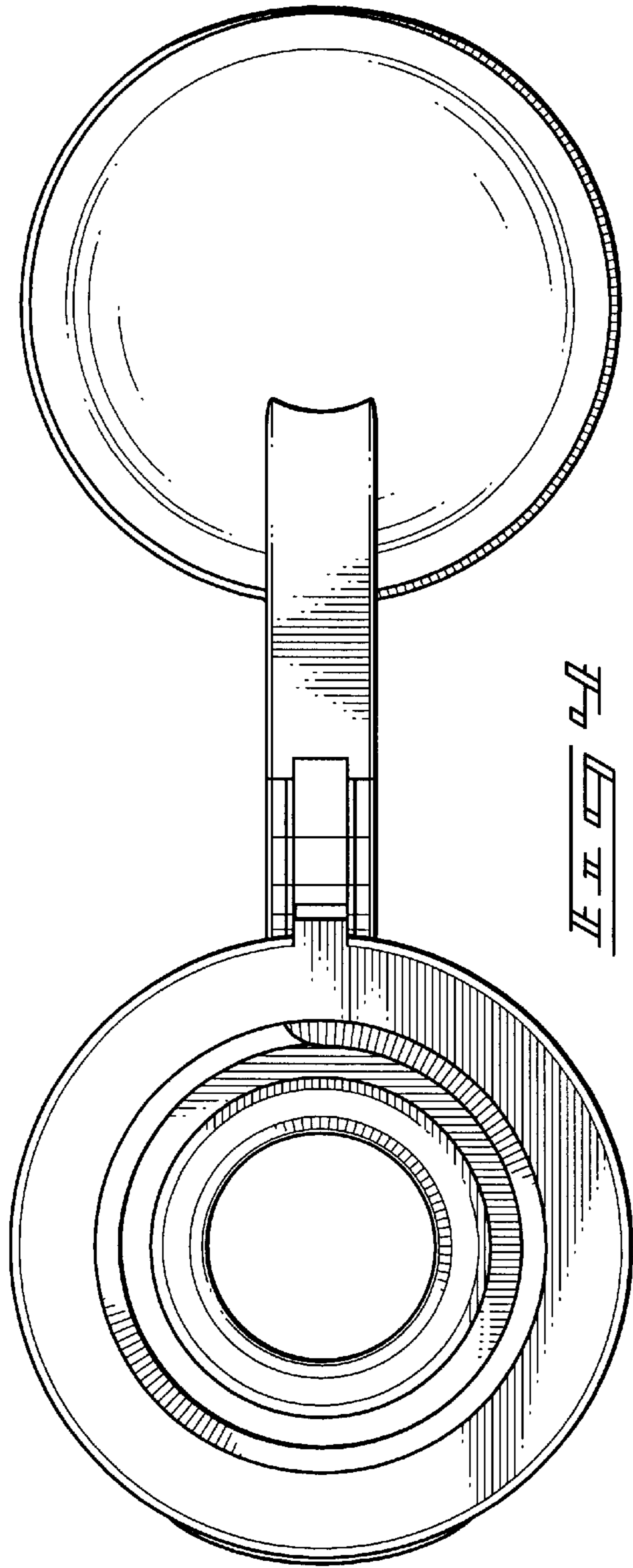


FIG. 3

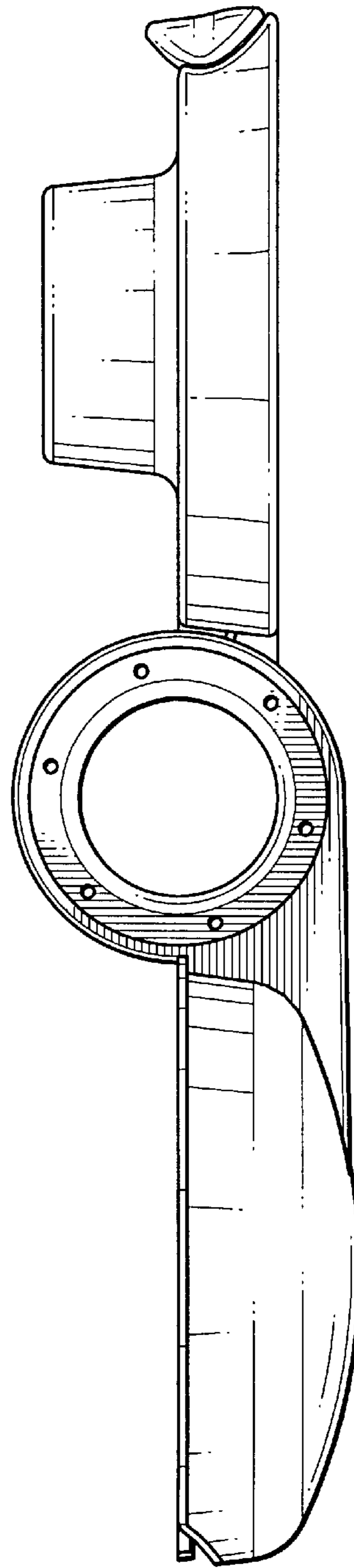
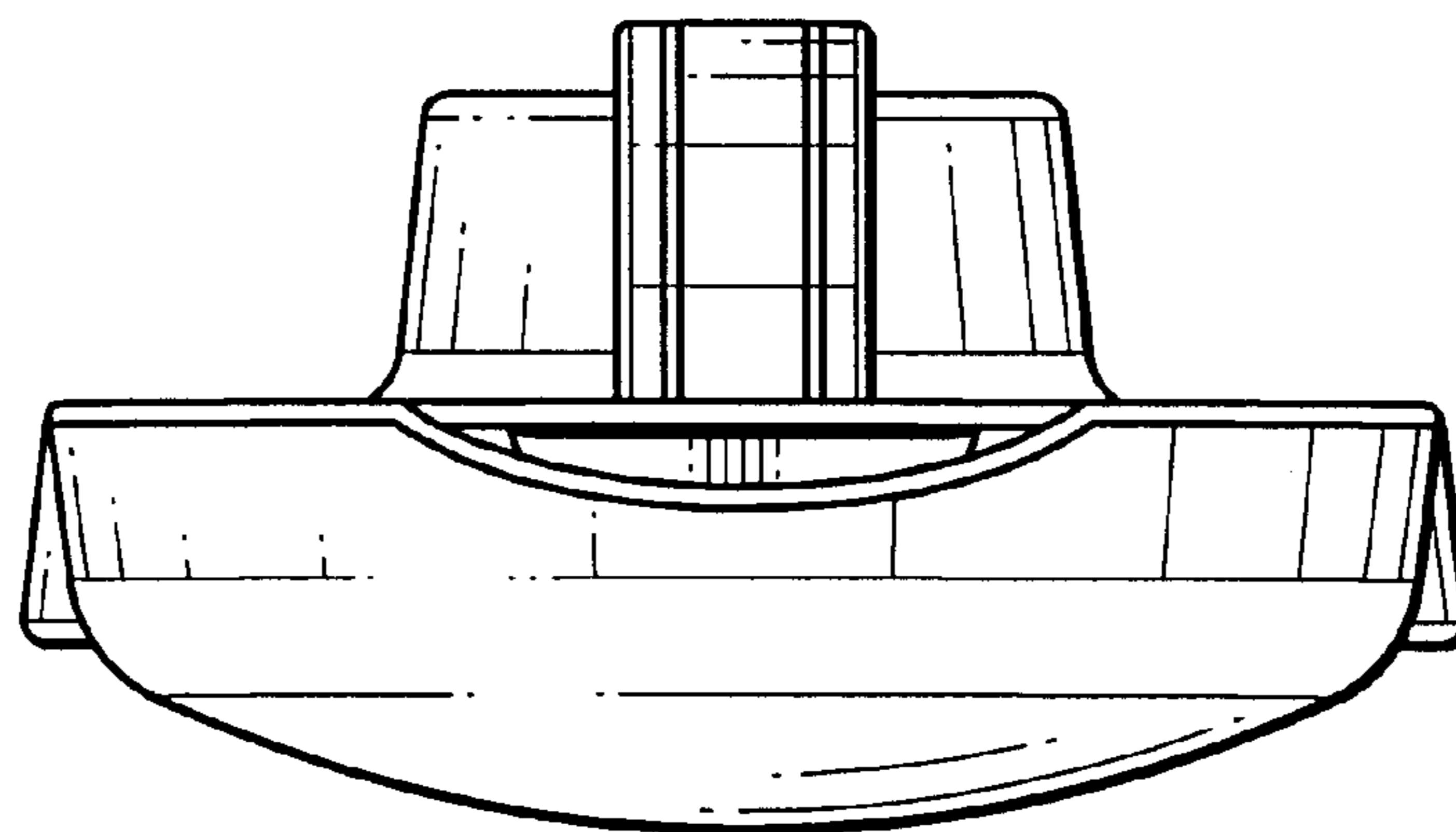
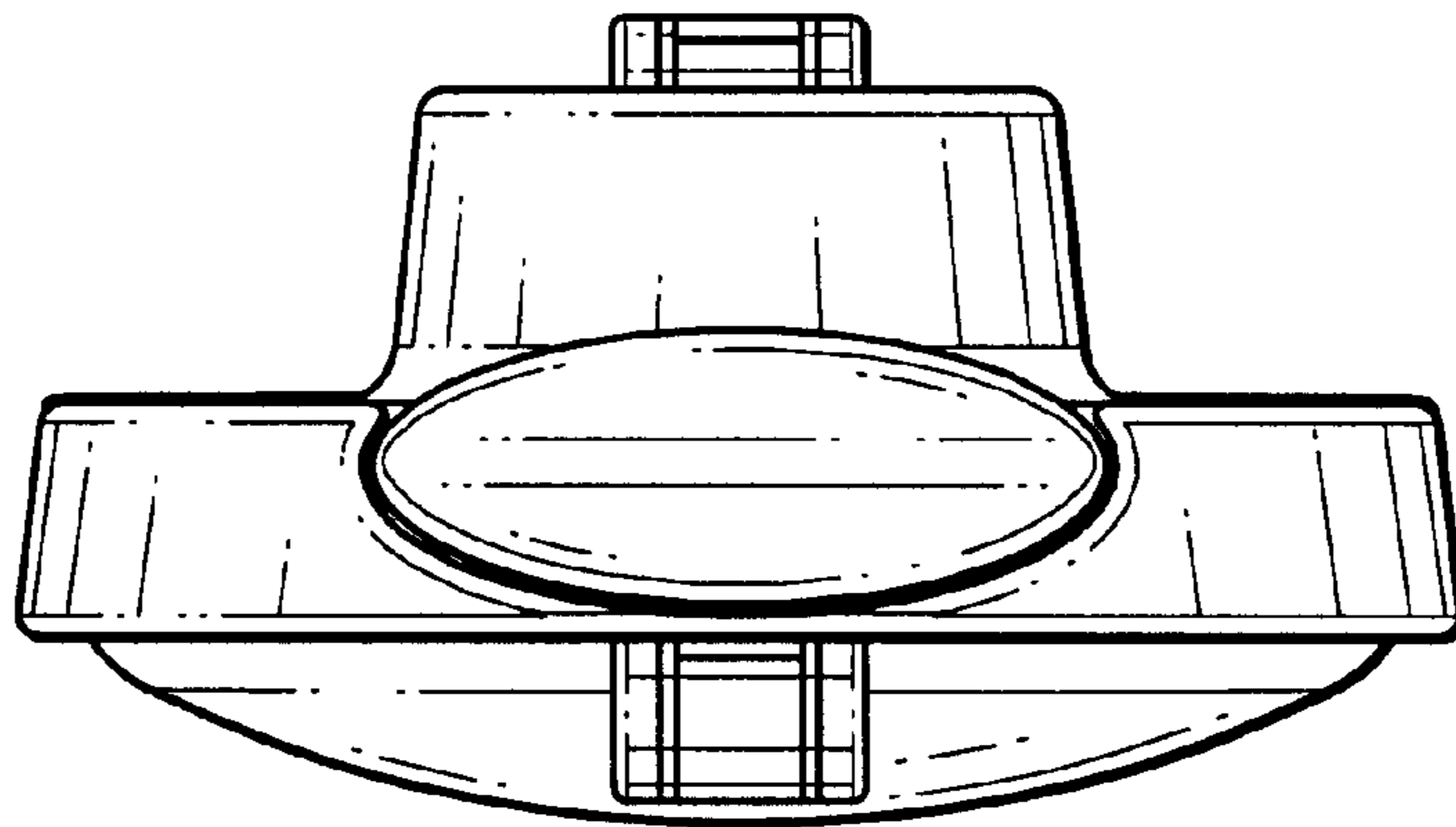
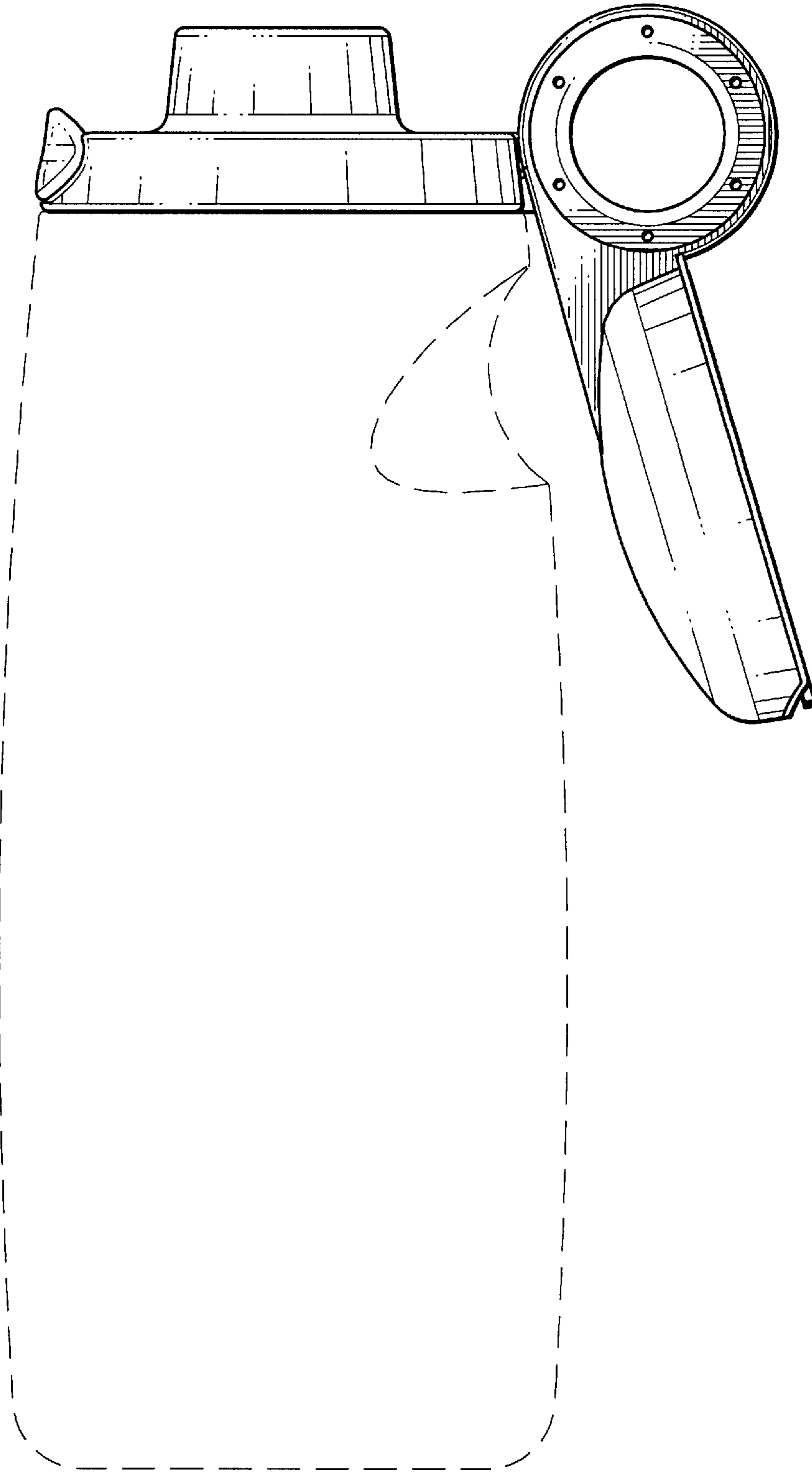


FIG. 4





II II 