

US00D505292S

(12) **United States Design Patent**
Spencer

(10) **Patent No.:** **US D505,292 S**
(45) **Date of Patent:** **** May 24, 2005**

(54) **STREAMLINED IN-WALL COFFEE MAKER**

(76) **Inventor:** **William L. Spencer**, 159 Hale-Barber Rd., Kelso, WA (US) 98626

(**) **Term:** **14 Years**

(21) **Appl. No.:** **29/209,691**

(22) **Filed:** **Jul. 19, 2004**

D380,334 S	*	7/1997	Lin	D7/309
D411,936 S	*	7/1999	Keffel	D7/309
D414,371 S	*	9/1999	Seiffert	D7/309
D424,361 S	*	5/2000	Kuboyama	D7/309
D444,986 S	*	7/2001	Smith et al.	D7/311
6,253,663 B1	*	7/2001	Spencer	99/279
D457,375 S	*	5/2002	Picozza et al.	D7/309
D481,580 S	*	11/2003	Daniels et al.	D7/309
D486,345 S	*	2/2004	Schwamkrug	D7/309
D495,189 S	*	8/2004	Cahen	D7/309

Related U.S. Application Data

(63) Continuation of application No. 10/239,973, filed as application No. PCT/US01/09630 on Mar. 26, 2001, which is a continuation-in-part of application No. 09/537,973, filed on Mar. 28, 2000, now Pat. No. 6,253,663.

(51) **LOC (7) Cl.** **07-01**

(52) **U.S. Cl.** **D7/309; D7/397**

(58) **Field of Search** D7/300, 309, 310,
D7/311, 305, 306, 397; 99/279, 290, 288,
300, 305, 304, 306, 307, 284, 295, 293;
248/273

References Cited

U.S. PATENT DOCUMENTS

D281,943 S	*	12/1985	Rosalgino	D7/309
D284,730 S	*	7/1986	Marotta	D7/309
4,644,856 A	*	2/1987	Borgmann	99/295
4,852,474 A	*	8/1989	Mahlich et al.	99/293
D323,949 S	*	2/1992	Kahlcke	D7/309
D336,207 S	*	6/1993	Brookshire	D7/309
D339,499 S	*	9/1993	Seiffert	D7/309
D345,279 S	*	3/1994	Sieger	D7/309
D355,562 S	*	2/1995	DeFelip	D7/309

* cited by examiner

Primary Examiner—M. N. Pandozzi

(74) *Attorney, Agent, or Firm*—Marger Johnson & McCollom, P.C.

(57) **CLAIM**

The ornamental design for streamlined in-wall coffee maker, as shown and described.

DESCRIPTION

FIG. 1 is a frontal-side perspective view of an in-wall coffee maker embodying the ornamental design of the invention. The features shown in dashed lines are not part of the claimed ornamental design.

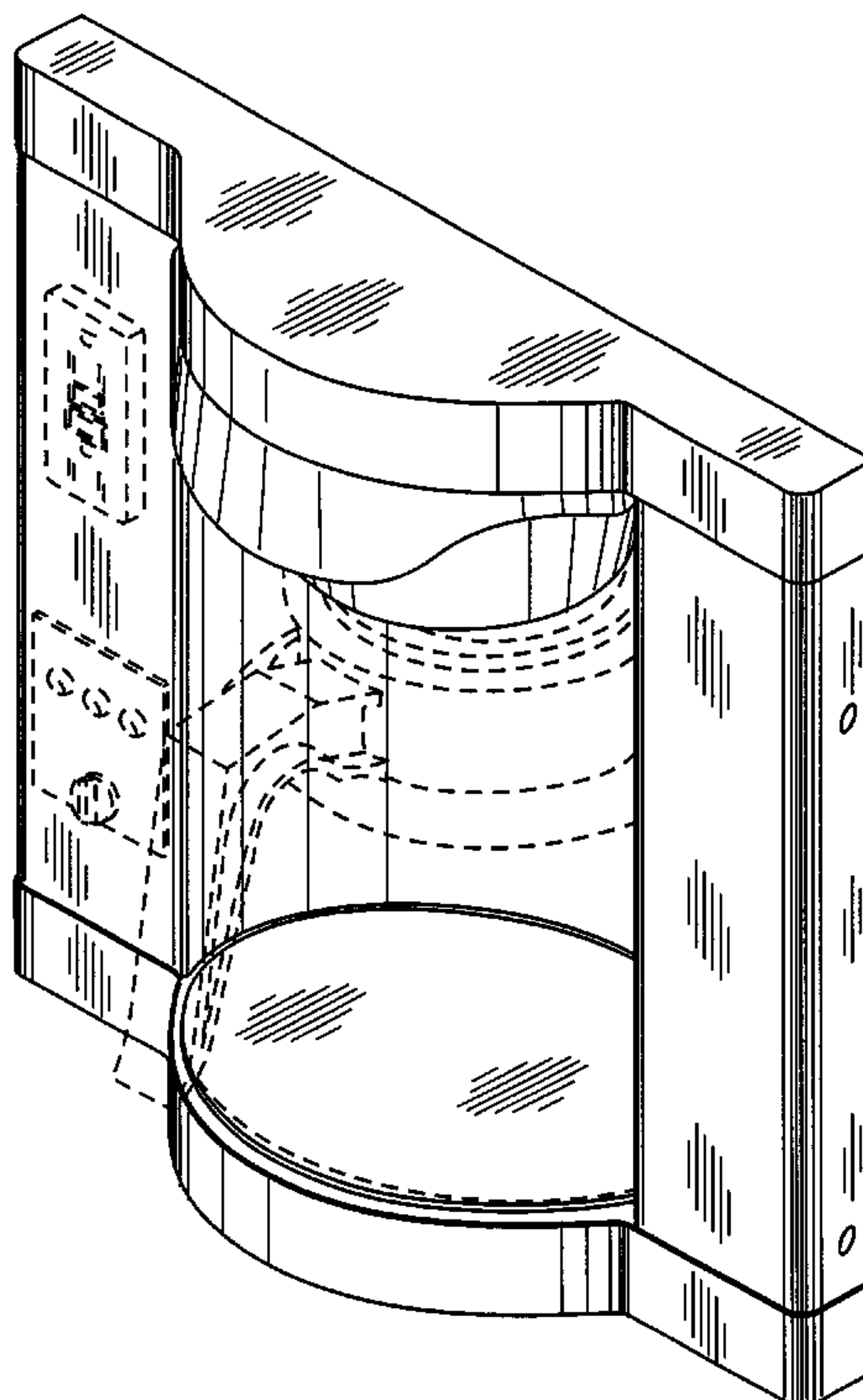
FIG. 2 is a top plan view of the coffee maker of FIG. 1.

FIG. 3 is a right side elevation view of the coffee maker of FIG. 1.

FIG. 4 is a front elevation view of the coffee maker of FIG. 1; and,

FIG. 5 is a left side elevation view of the coffee maker of FIG. 1.

1 Claim, 2 Drawing Sheets



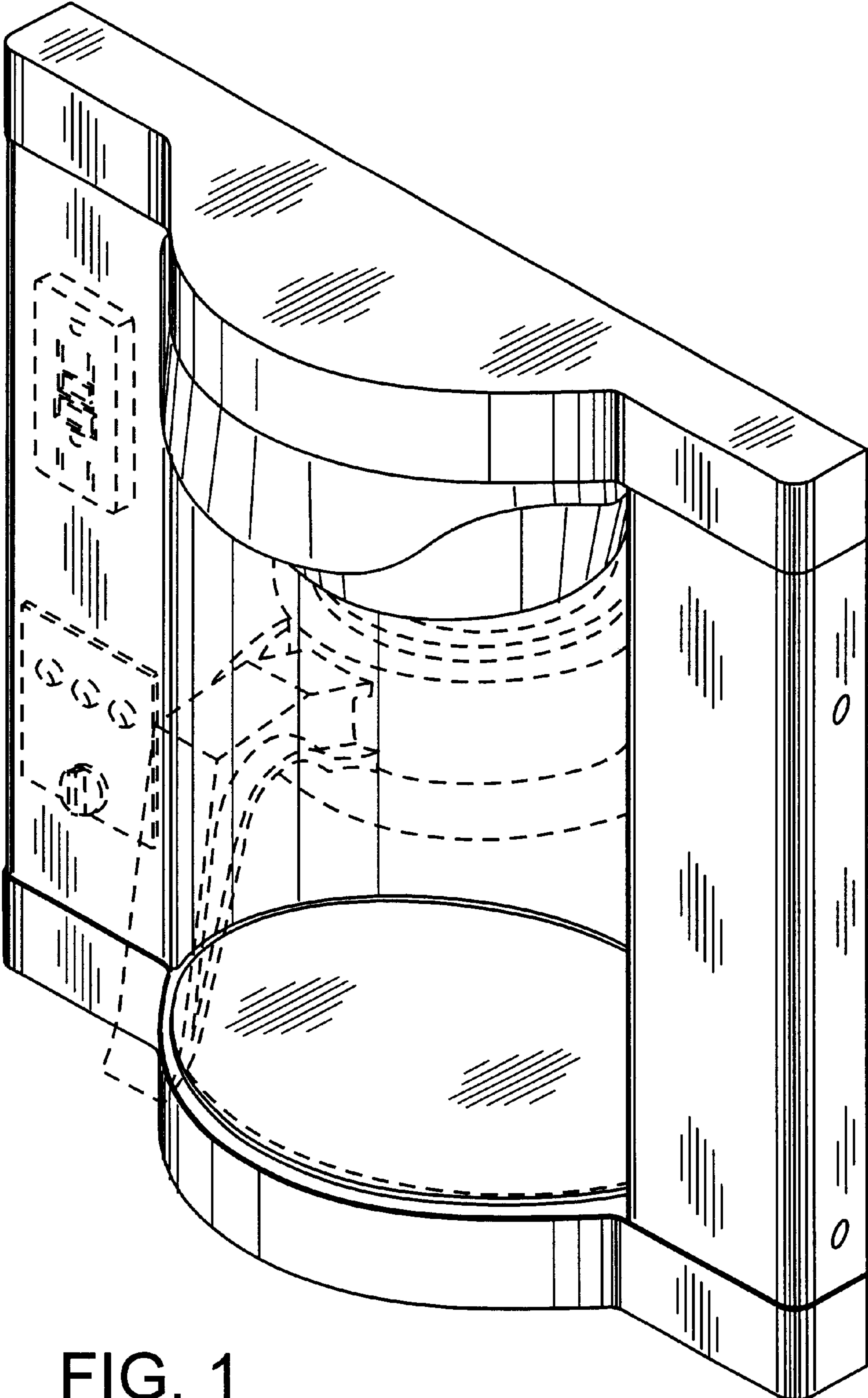


FIG. 1

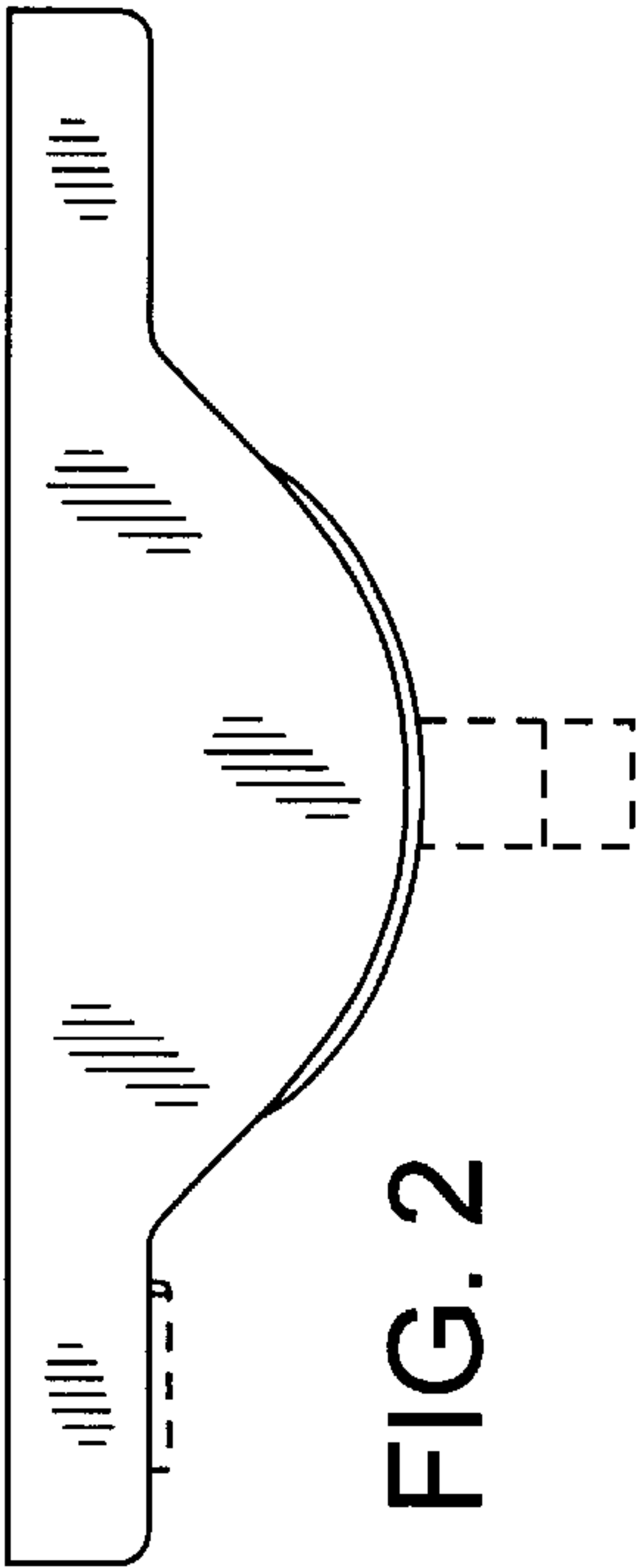


FIG. 2

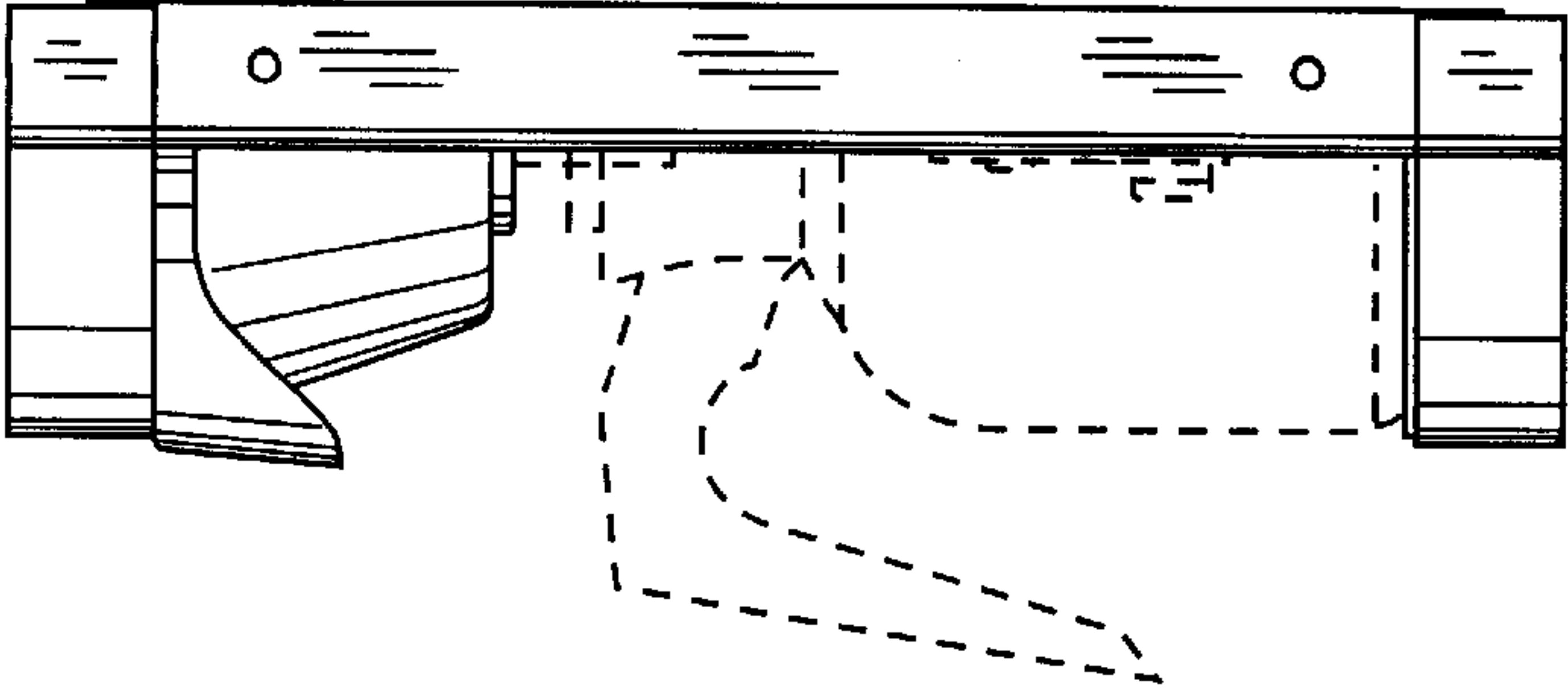


FIG. 3

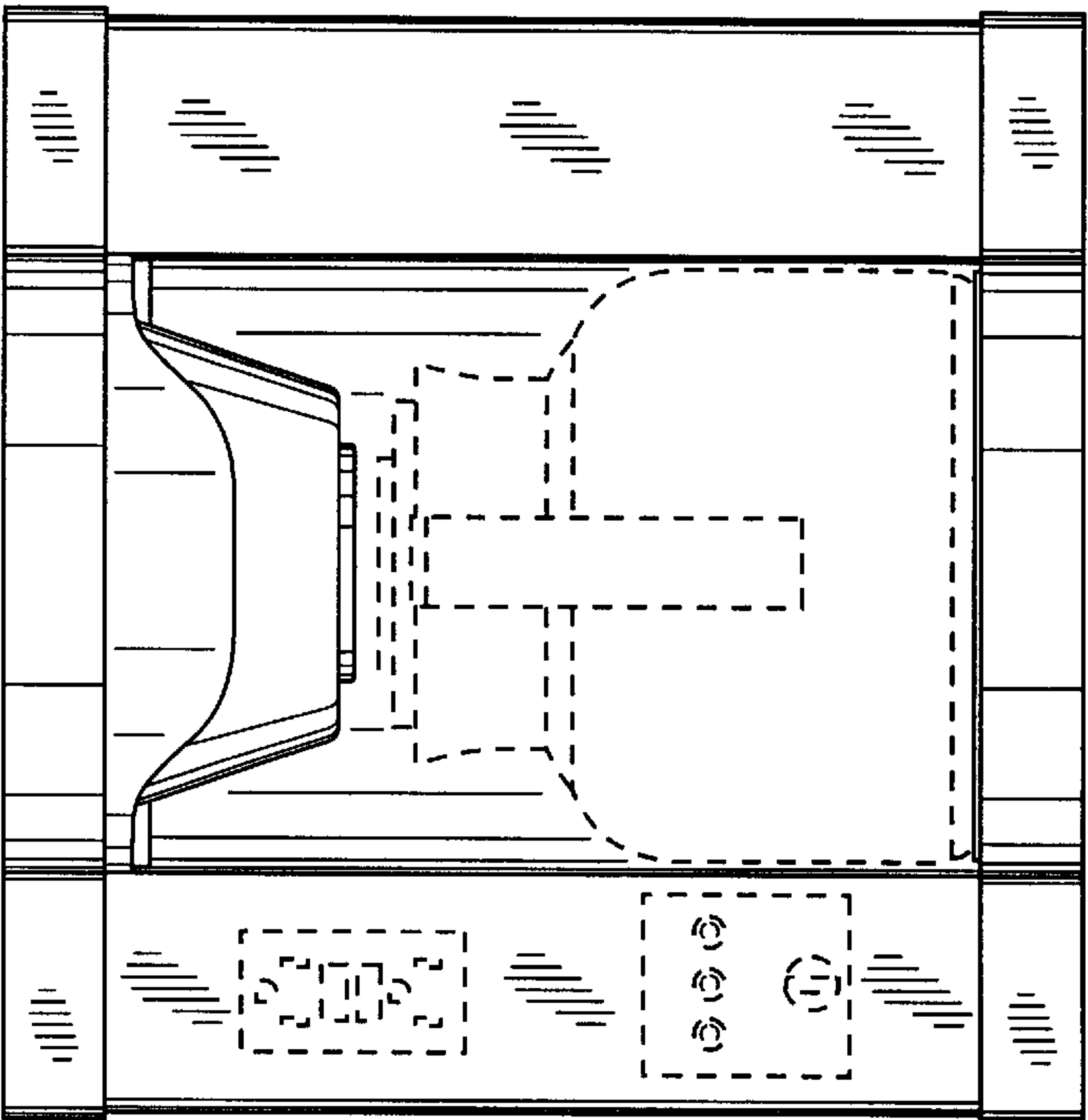


FIG. 4

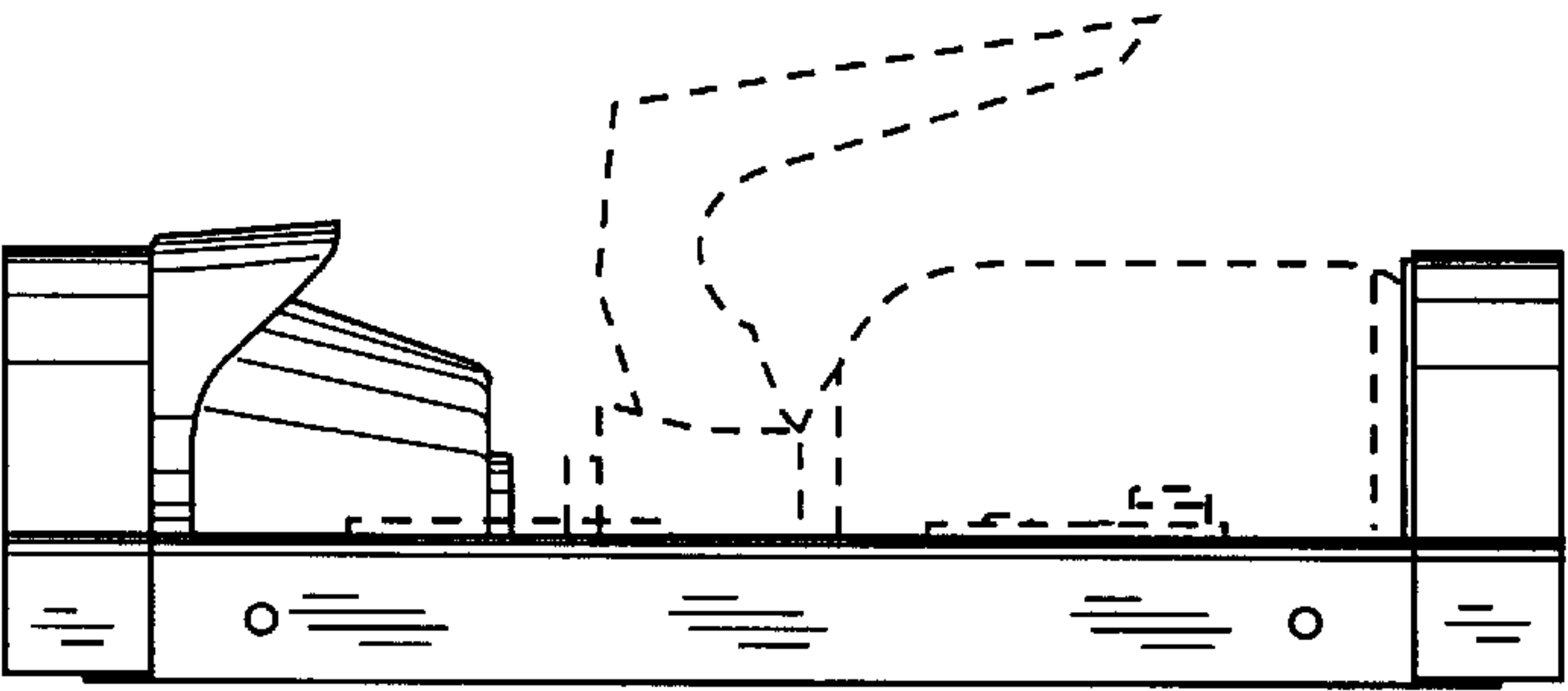


FIG. 5