

US00D505289S

(12) **United States Design Patent** (10) **Patent No.:** **US D505,289 S**
Smith et al. (45) **Date of Patent:** **** May 24, 2005**

(54) **ROLLABLE PANEL**

(75) Inventors: **Park B. Smith**, New York, NY (US);
Linda Johnson, New York, NY (US)

(73) Assignee: **Park B. Smith, Inc.**, New York, NY
(US)

(**) Term: **14 Years**

(21) Appl. No.: **29/205,717**

(22) Filed: **May 18, 2004**

(51) **LOC (7) Cl.** **06-10**

(52) **U.S. Cl.** **D6/575**

(58) **Field of Search** D6/575, 577; 160/84.01,
160/84.04, 237, 348

(56) **References Cited**

U.S. PATENT DOCUMENTS

718,347	A	*	1/1903	Haywood
800,429	A	*	9/1905	Davis
822,031	A	*	5/1906	Webster
852,187	A		4/1907	Luft
1,672,640	A	*	6/1928	Doederlein
1,778,499	A		10/1930	King
1,983,046	A	*	12/1934	Picco
2,410,662	A	*	4/1945	Kahn
2,611,428	A		9/1952	Van Cleeff
2,627,918	A		2/1953	Gordon
2,668,587	A		2/1954	London et al.
2,671,508	A		3/1954	Gordon
2,779,405	A		1/1957	Hess
2,782,849	A	*	2/1957	Sadloski
2,840,155	A		6/1958	Stern
2,952,315	A		9/1960	Brontman
3,160,202	A		12/1964	Rosen
3,322,182	A		5/1967	Paella
3,487,875	A		1/1970	Shukat et al.
3,754,589	A		8/1973	Helmberg et al.
3,777,800	A		12/1973	Susoev
3,952,788	A		4/1976	Scholer
3,952,988	A		4/1976	Easterly

(Continued)

OTHER PUBLICATIONS

Umbra® Product Catalogue (2003), according to an Umbra representative, the catalogue published in the second to third week of Jan. 2003.*

Umbra® Pull-Up Cotton Shade Umbra® Tuck Adjustable Blind (applicant first saw these products in U.S. stores in Apr. 2003).*

Window Catalo 1996 p. 26, flat roman shade.*

JC Penny Catalog Fall/Winter 1997; tab top valance p. 1216; design digest.*

Primary Examiner—Holly Baynham

(74) *Attorney, Agent, or Firm*—Alston & Bird LLP

(57) **CLAIM**

The ornamental design for a rollable panel, as shown and described.

DESCRIPTION

FIG. 1 is a front side perspective view of a rollable panel showing our new design, wherein the window shade is partially drawn.

FIG. 2 is a backside perspective view thereof, wherein the panel is partially drawn.

FIG. 3 is a front side perspective view thereof, wherein the panel is drawn.

FIG. 4 is a backside perspective view thereof, wherein the panel is drawn.

FIG. 5 is a view of the front side thereof, wherein the panel is drawn.

FIG. 6 is a view of the backside thereof, wherein the panel is drawn.

FIG. 7 is a top view thereof, wherein the panel is drawn.

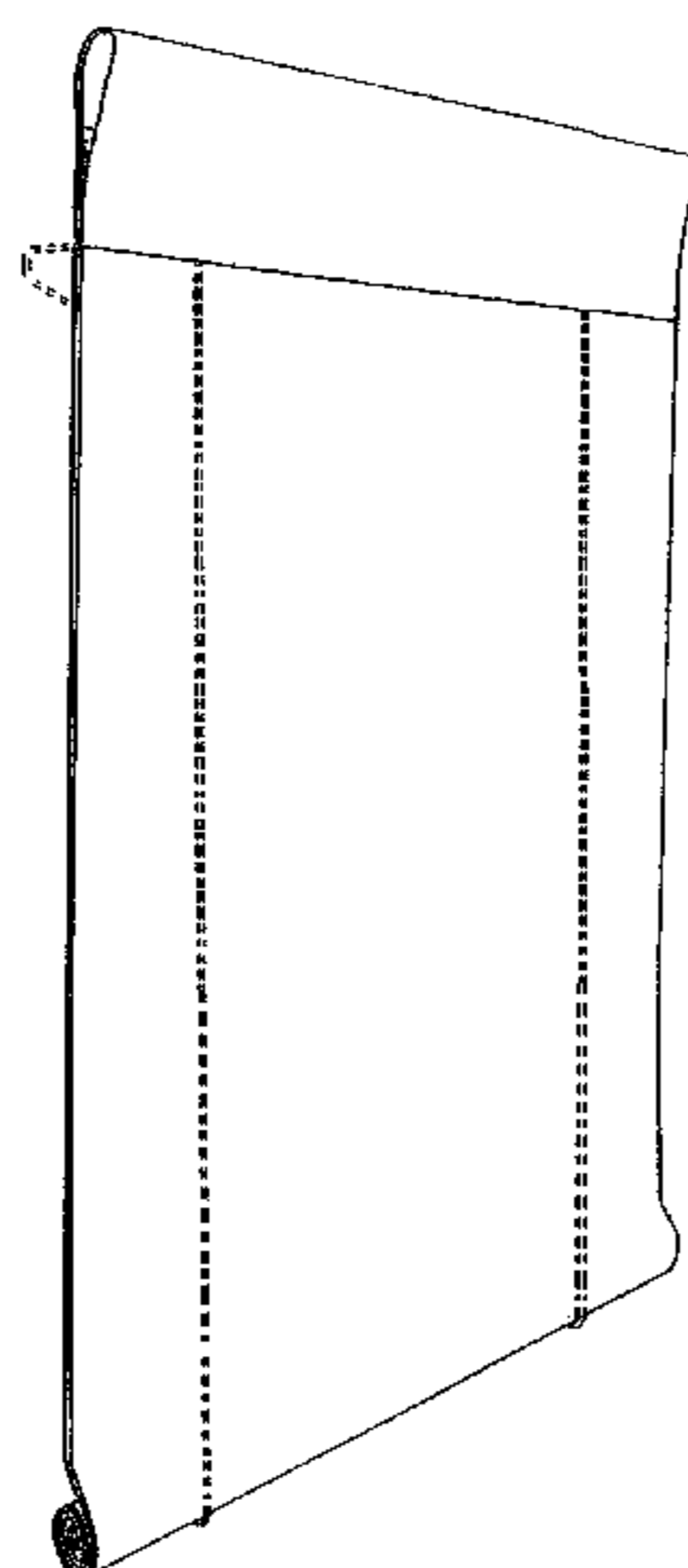
FIG. 8 is a bottom view thereof, wherein the panel is drawn.

FIG. 9 is a front view thereof, wherein the panel is partially drawn; and,

FIG. 10 is a side elevational view thereof, wherein the panel is partially drawn.

The broken line showing is for illustrative purposes only and forms no part of the claimed design.

1 Claim, 10 Drawing Sheets



US D505,289 S

Page 2

U.S. PATENT DOCUMENTS

3,999,590 A	12/1976	Koch	5,566,734 A	10/1996	Levy et al.
4,069,857 A	1/1978	Brookshire	5,566,735 A	10/1996	Jelic
D256,536 S	8/1980	Atkins	5,649,583 A	7/1997	Hsu
D277,061 S	1/1985	Picoy	D393,560 S	4/1998	Adams
4,501,311 A	2/1985	Folland	5,738,159 A	4/1998	O'Brien
4,515,202 A *	5/1985	Wilson	5,787,951 A	8/1998	Tonomura et al.
4,693,291 A *	9/1987	Andrews	5,894,876 A	4/1999	O'Brien
D295,354 S	4/1988	De Block et al.	D415,382 S	10/1999	Walker
4,739,815 A	4/1988	Altman	D415,644 S	10/1999	Goodwin
4,776,382 A *	10/1988	Rooswinkel	D415,645 S	10/1999	Goodwin
4,877,075 A	10/1989	Markowitz	6,041,454 A	3/2000	Summerford
4,907,635 A	3/1990	Bunger et al.	D426,738 S	6/2000	Goodwin
4,909,297 A	3/1990	Koller et al.	6,142,210 A	11/2000	Isoda
4,921,032 A	5/1990	May	D440,093 S	4/2001	Siegel et al.
4,928,743 A	5/1990	Wojtysiak	D440,094 S	4/2001	Shen
4,934,435 A	6/1990	Regev	D445,621 S	7/2001	Judkins
4,976,301 A	12/1990	Easley et al.	D446,070 S	8/2001	Judkins
4,986,329 A	1/1991	Kuchunos	6,431,245 B1	8/2002	Shen
5,010,944 A	4/1991	Bussert	6,497,264 B1	12/2002	Paskevicius
D320,127 S	9/1991	Schopp	D468,950 S	1/2003	Judkins
5,313,998 A	5/1994	Colson et al.	6,520,238 B2	2/2003	Allsopp
D348,371 S	7/1994	Judkins	D473,743 S	4/2003	Judkins
D362,147 S *	9/1995	Voccia	6,543,516 B2	4/2003	Hwan
D371,711 S	7/1996	Clark	6,662,845 B1	12/2003	Palmer
D371,928 S	7/1996	Evjy	2003/0051831 A1	3/2003	Bouldin

* cited by examiner

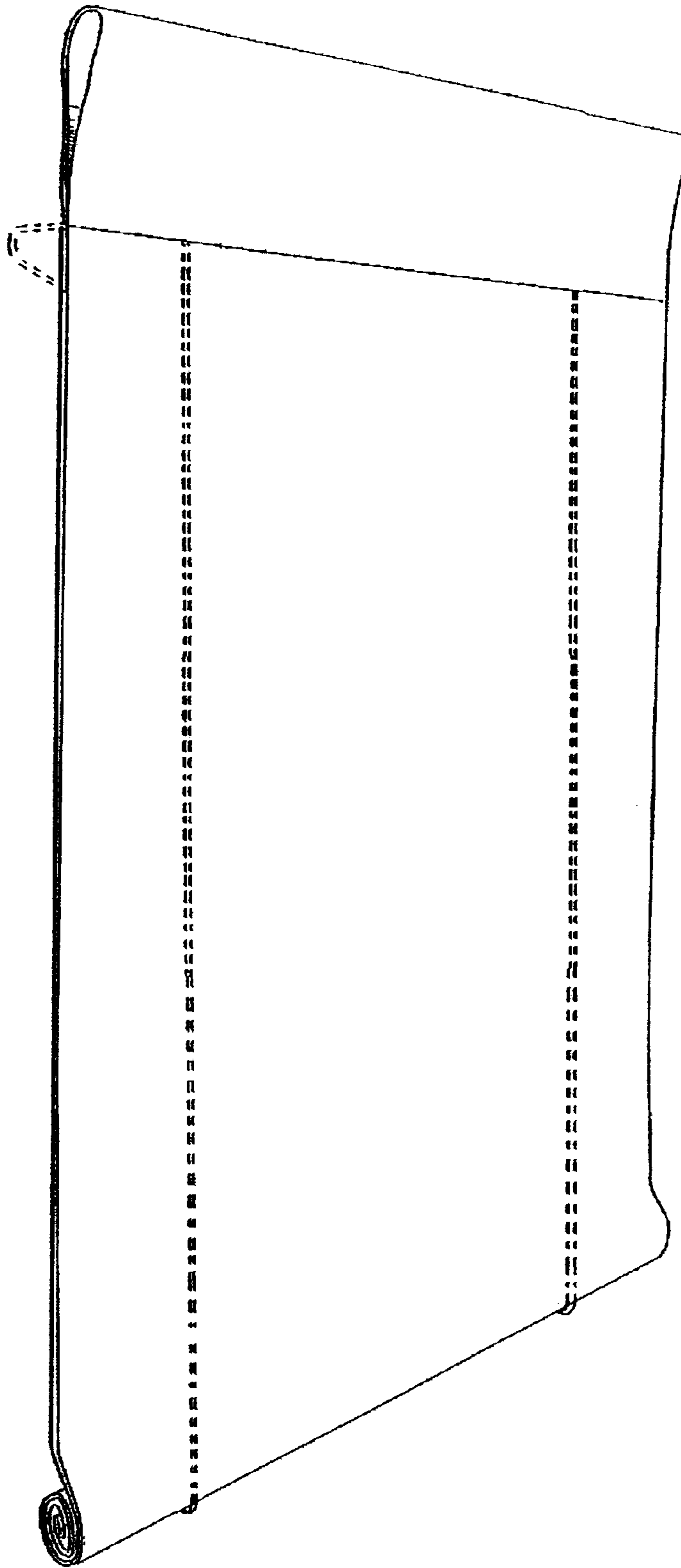


Figure 1

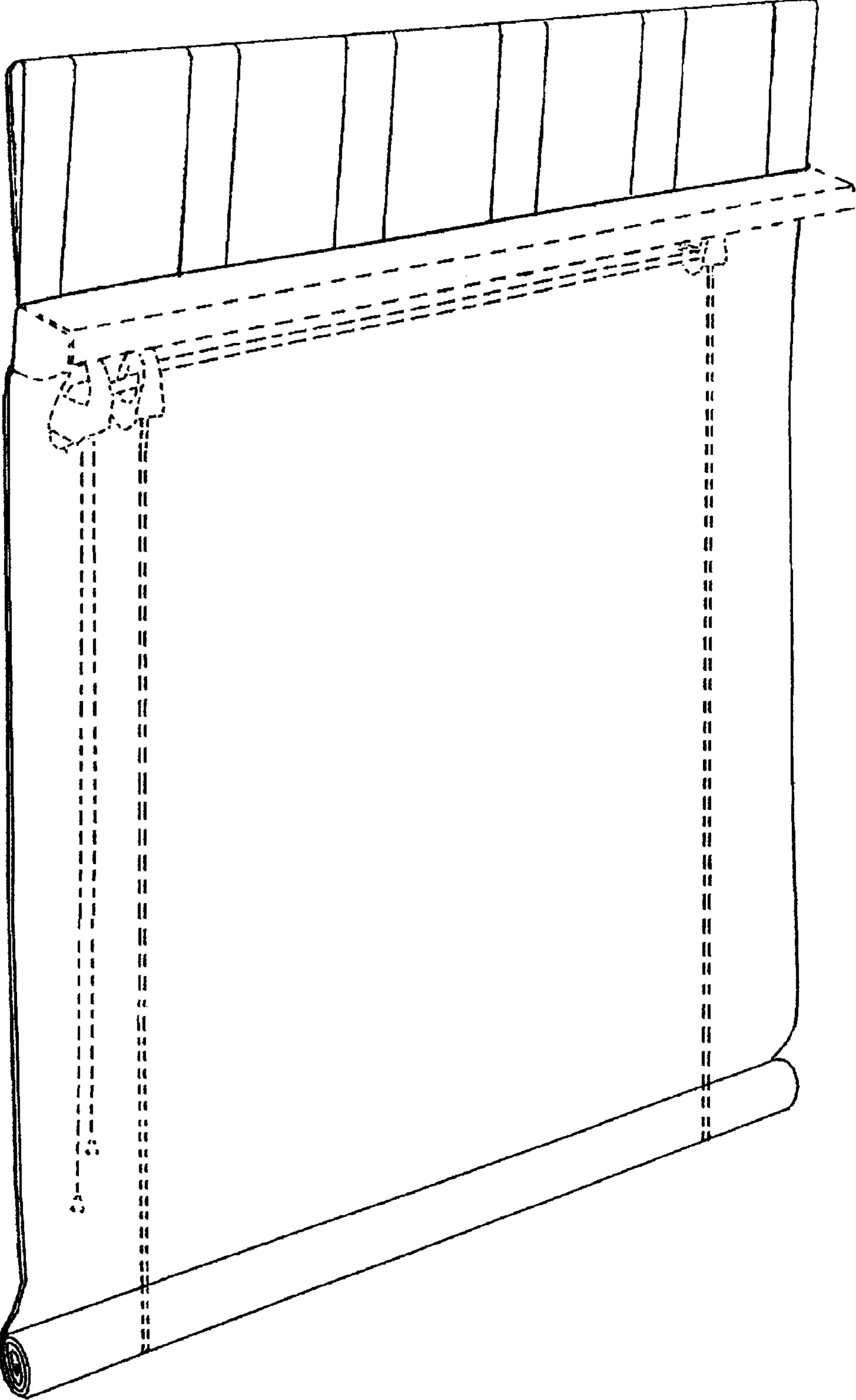


Figure 2

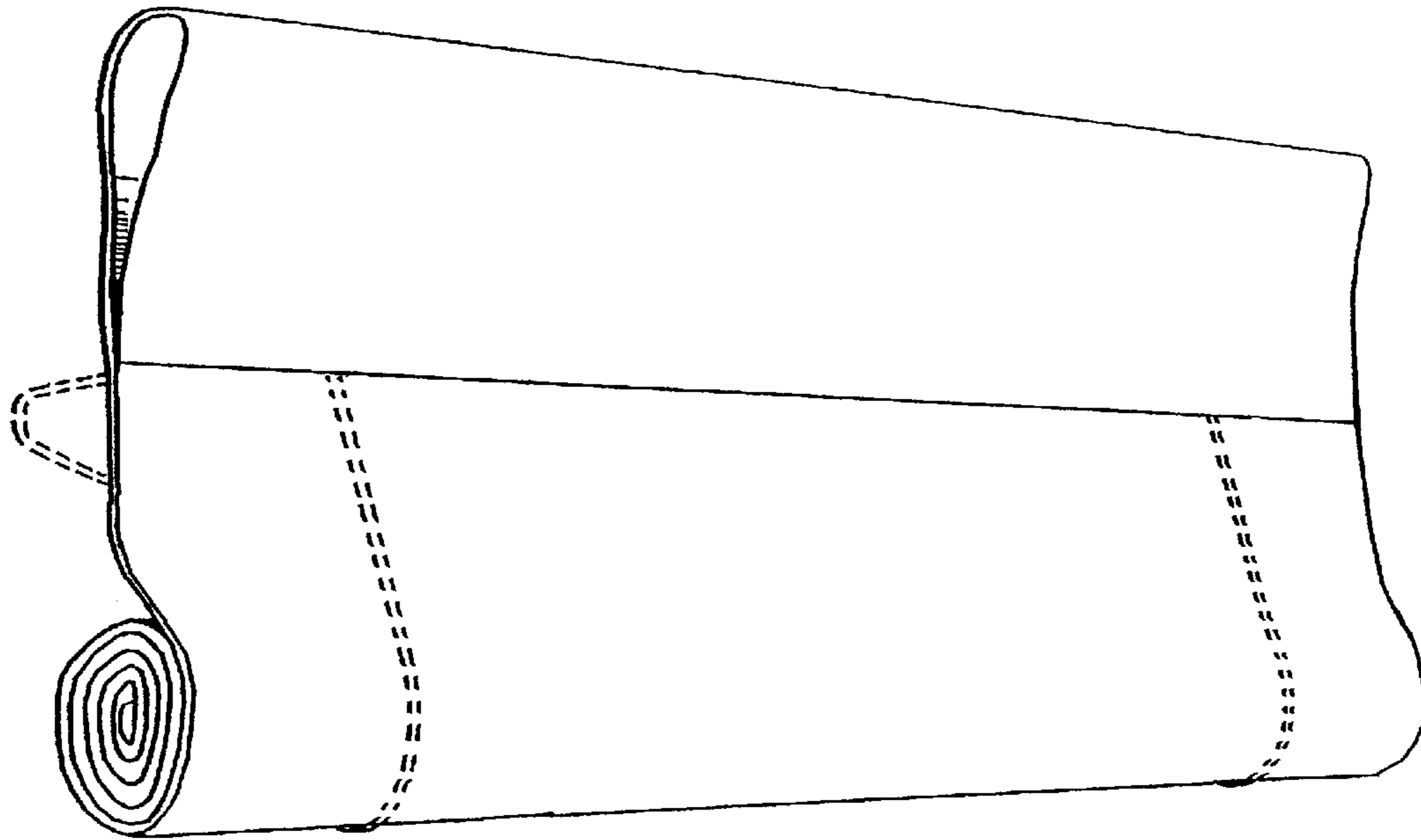


Figure 3

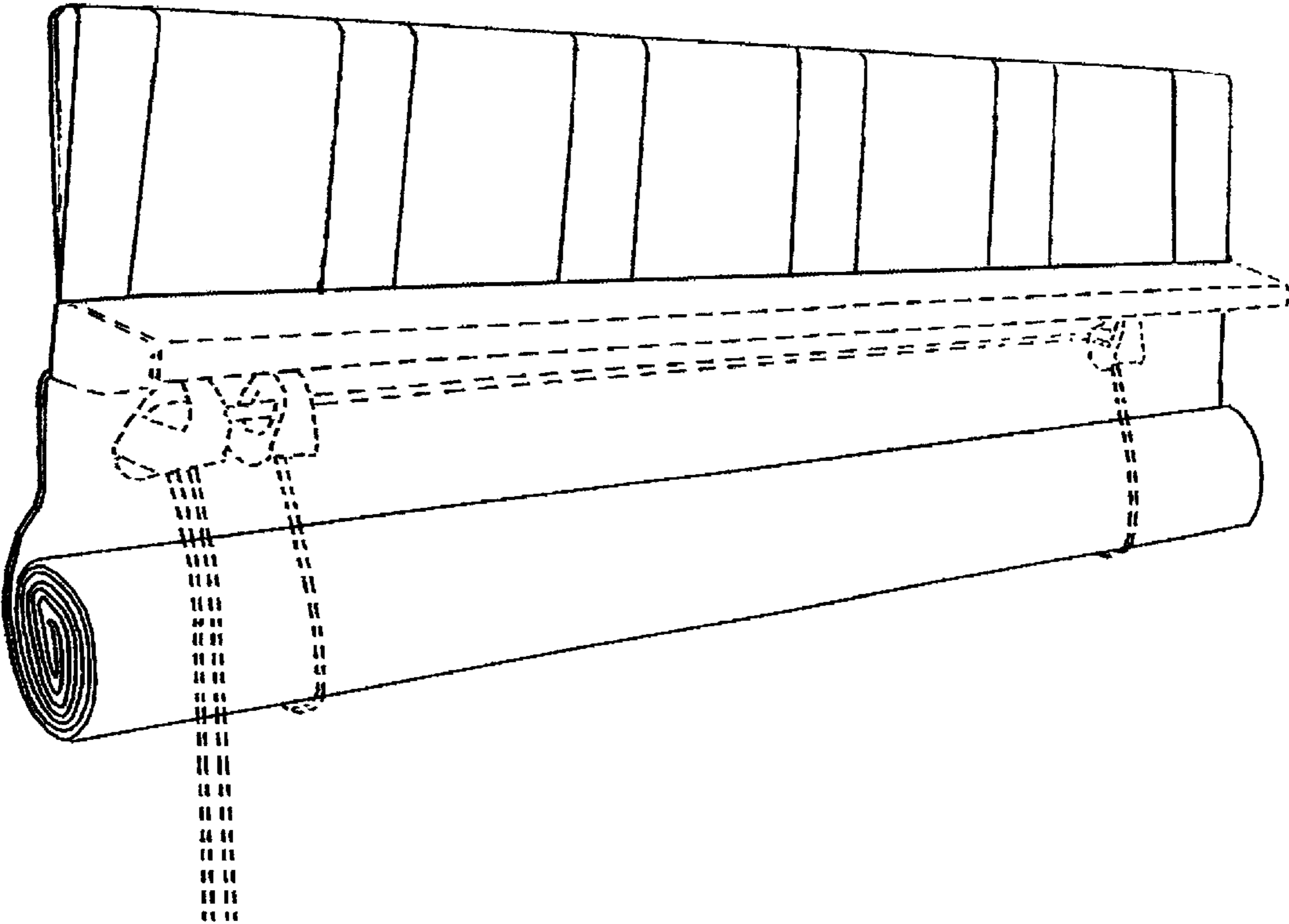


Figure 4

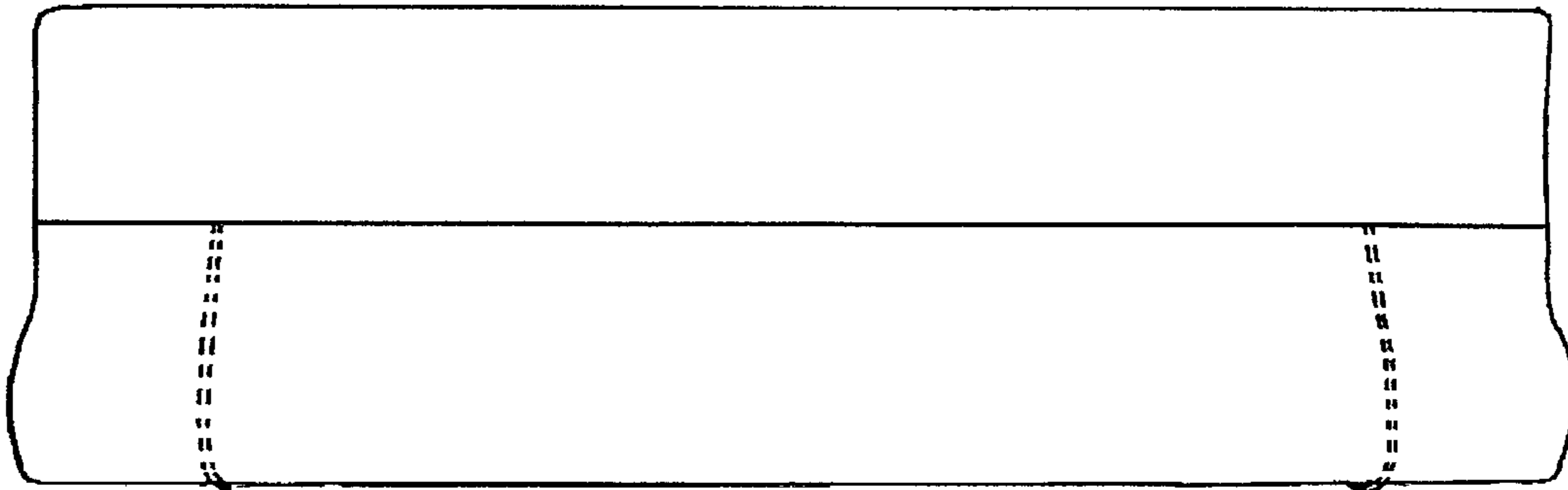


Figure 5

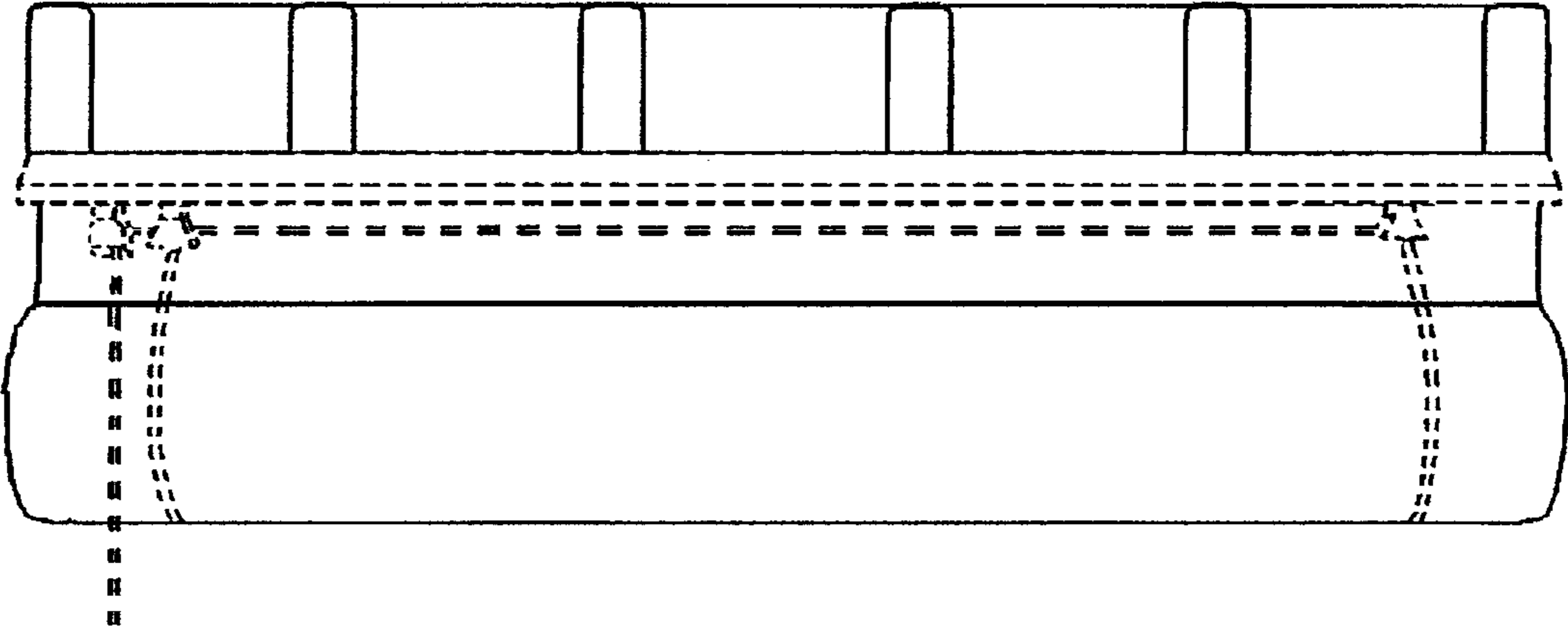


Figure 6

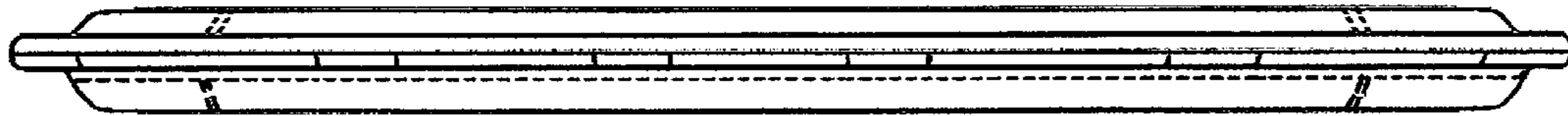


Figure 7

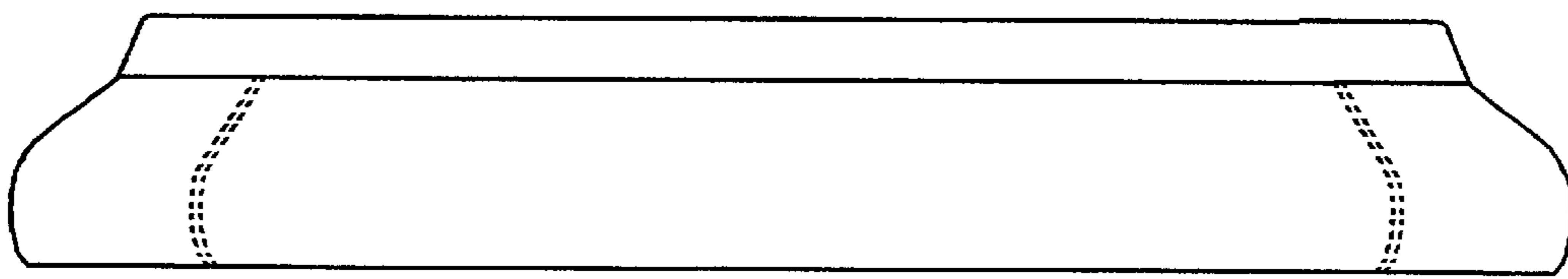


Figure 8

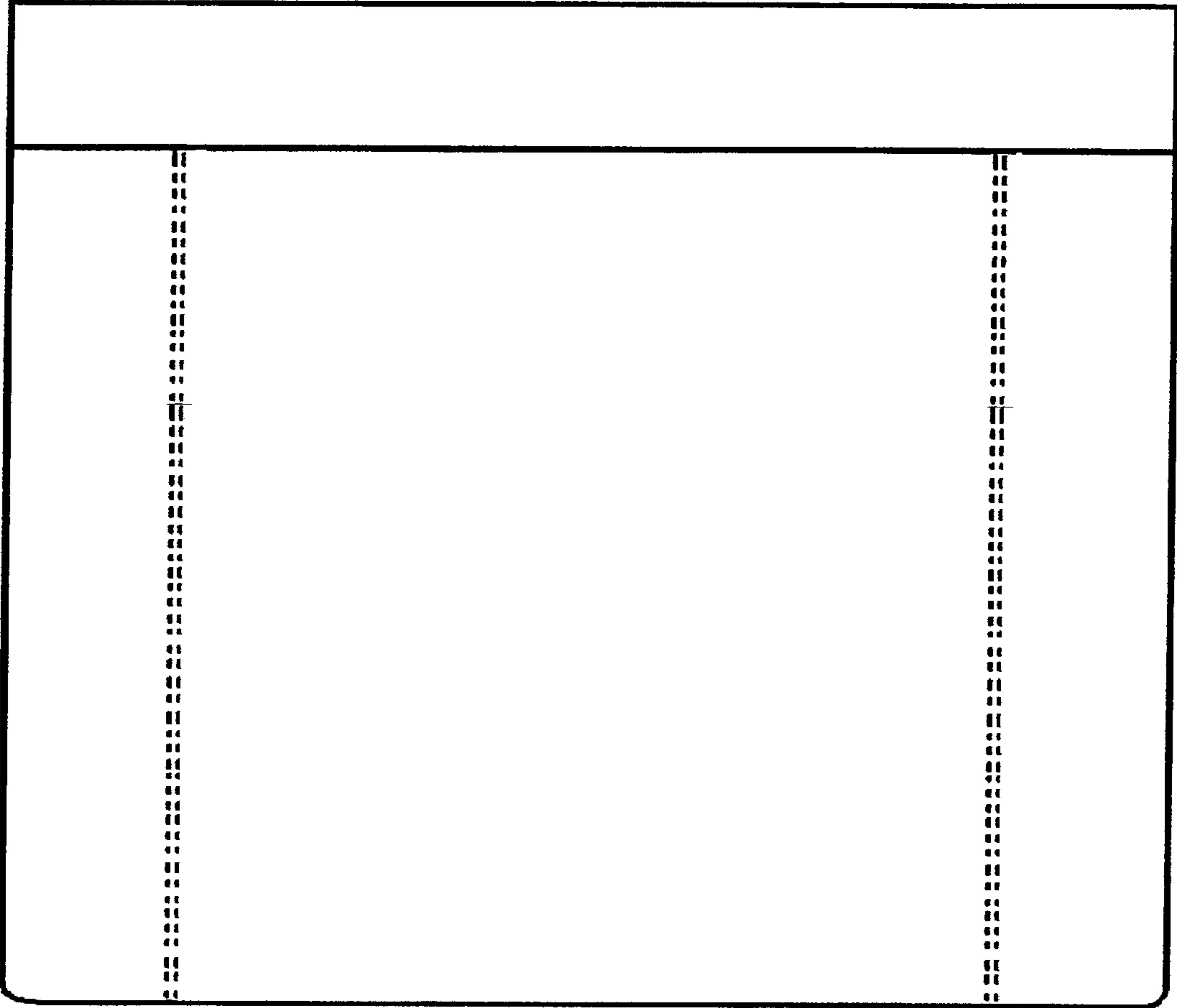


Figure 9

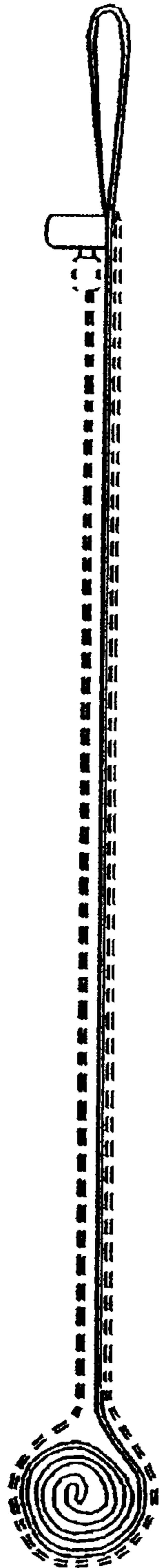


Figure 10