

US00D505288S

(12) **United States Design Patent**
Bankston et al.

(10) **Patent No.:** **US D505,288 S**
(45) **Date of Patent:** **** May 24, 2005**

(54) **VEHICLE INFORMATION SHEET DISPENSER**

(75) Inventors: **William J. Bankston**, Chattanooga, TN (US); **Joe Alegre**, Chattanooga, TN (US)

(73) Assignee: **CarClips Partners**, Red Bank, TN (US)

(**) Term: **14 Years**

(21) Appl. No.: **29/168,488**

(22) Filed: **Oct. 3, 2002**

(51) **LOC (7) Cl.** **06-04**

(52) **U.S. Cl.** **D6/553**

(58) **Field of Search** D6/572, 523, 514, D6/533, 567, 573; D19/25, 86, 88, 90, 100; 206/425, 449; 261/13.1, 45, 86.01, 87.01, 113; 271/45, 282, 283

(56) **References Cited**

U.S. PATENT DOCUMENTS

D159,645 S	8/1950	Knorr
D185,408 S	6/1959	Zimmerman
D205,987 S	10/1966	McCormick
3,824,720 A	7/1974	Langwell
4,154,383 A	5/1979	Bonatzis
4,179,138 A	12/1979	Bagdonovic
4,572,380 A	2/1986	Langwell
4,928,849 A	5/1990	Khozai

5,287,871 A	2/1994	Trice
5,563,579 A	10/1996	Carter
5,630,546 A	* 5/1997	Velch 229/125.37
D381,369 S	7/1997	Sabadina
D414,364 S	* 9/1999	Malcolm, Sr. D6/553
6,276,080 B1	8/2001	Brennan
6,397,504 B1	6/2002	McFetridge

* cited by examiner

Primary Examiner—Brian N Vinson

(74) *Attorney, Agent, or Firm*—Chambliss, Bahner & Stophel, P.C.

(57) **CLAIM**

The ornamental design for a vehicle information sheet dispenser, as shown and described.

DESCRIPTION

FIG. 1 is a perspective view of the preferred vehicle information sheet dispenser.

FIG. 2 is a front view of the preferred vehicle information sheet dispenser.

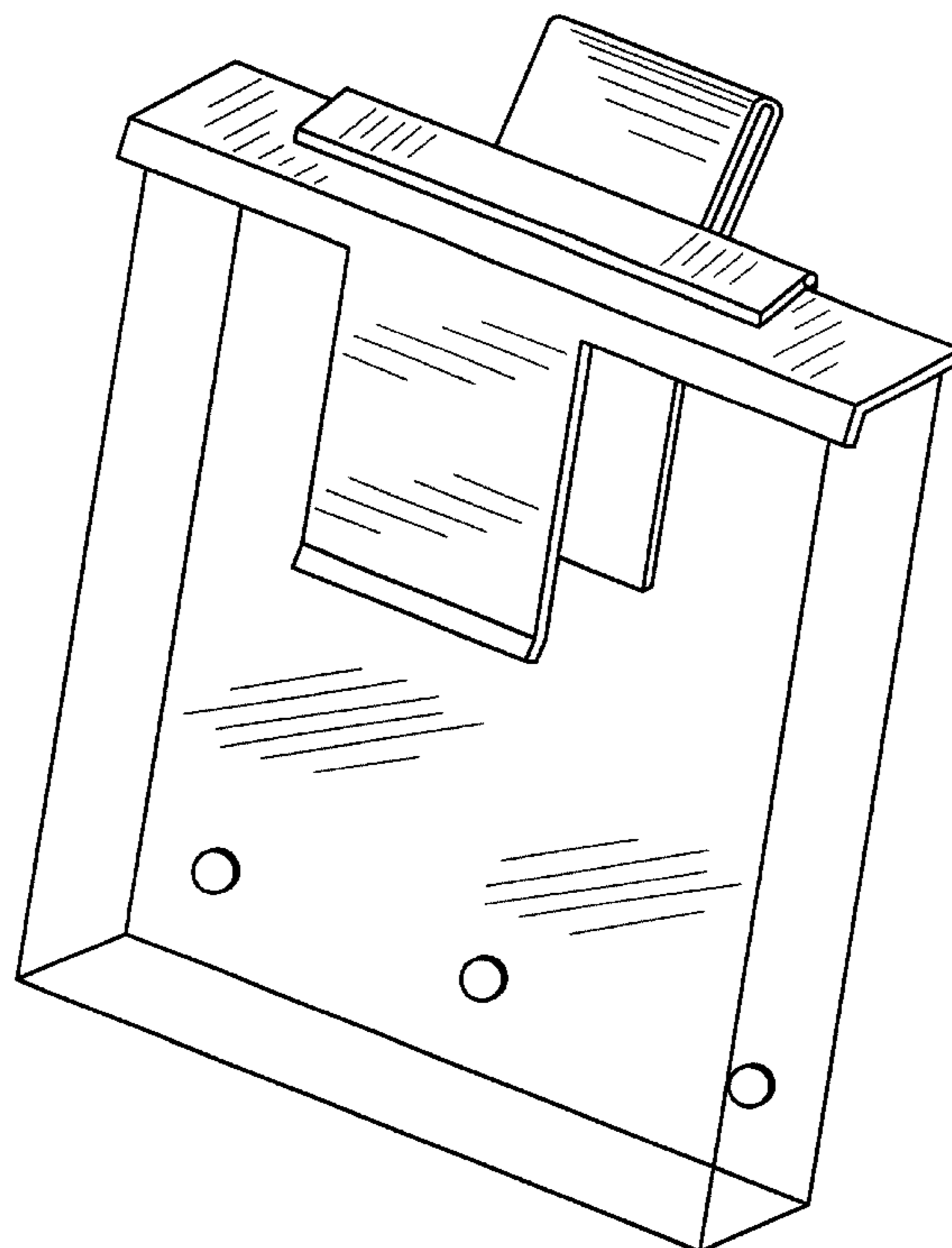
FIG. 3 is a back view of the preferred vehicle information sheet dispenser.

FIG. 4 is a right side view of the preferred vehicle information sheet dispenser. The left side view is omitted because it is a mirror image of the right side view.

FIG. 5 is a top view of the preferred vehicle information sheet dispenser; and,

FIG. 6 is a bottom view of the preferred vehicle information sheet dispenser.

1 Claim, 5 Drawing Sheets



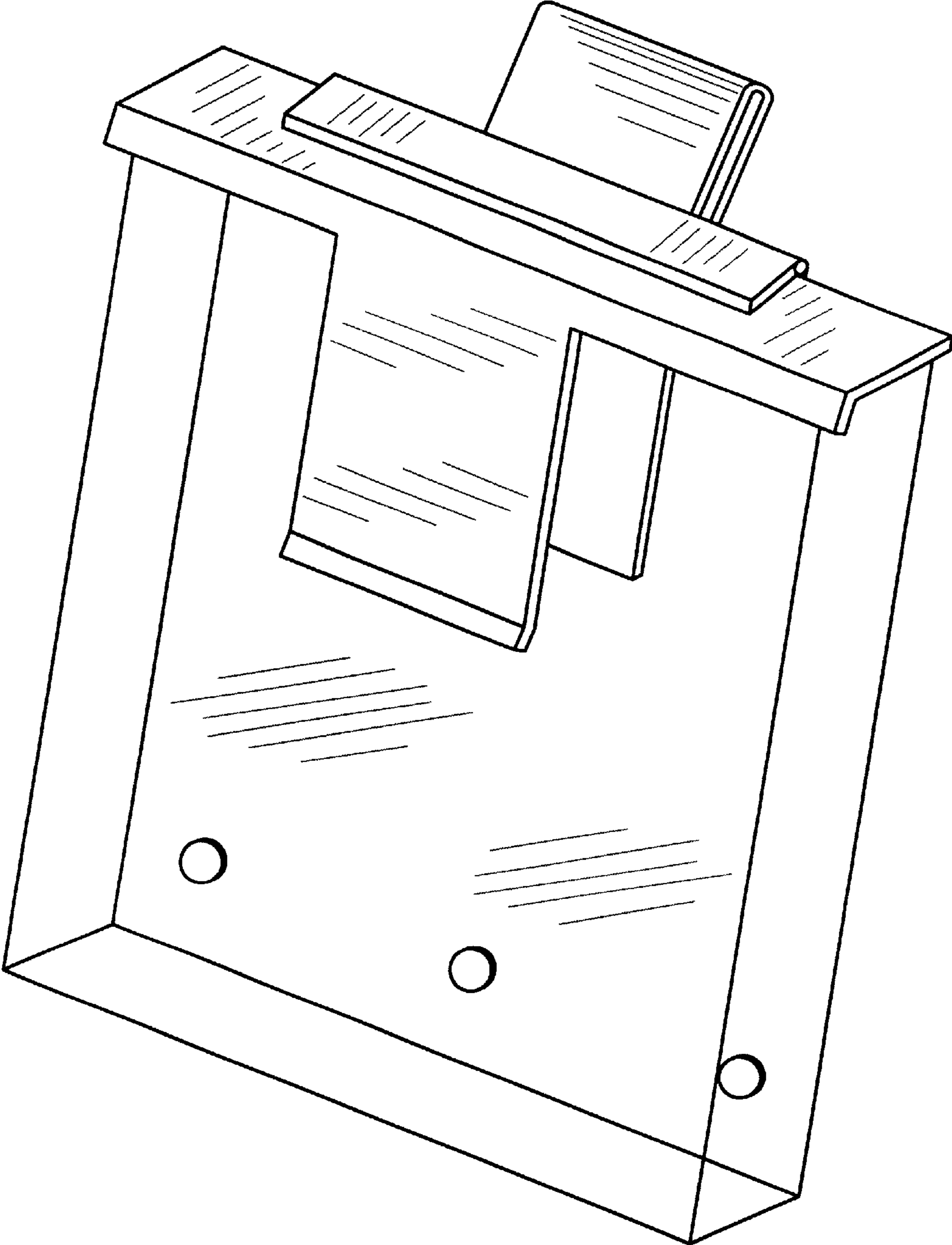


FIGURE 1

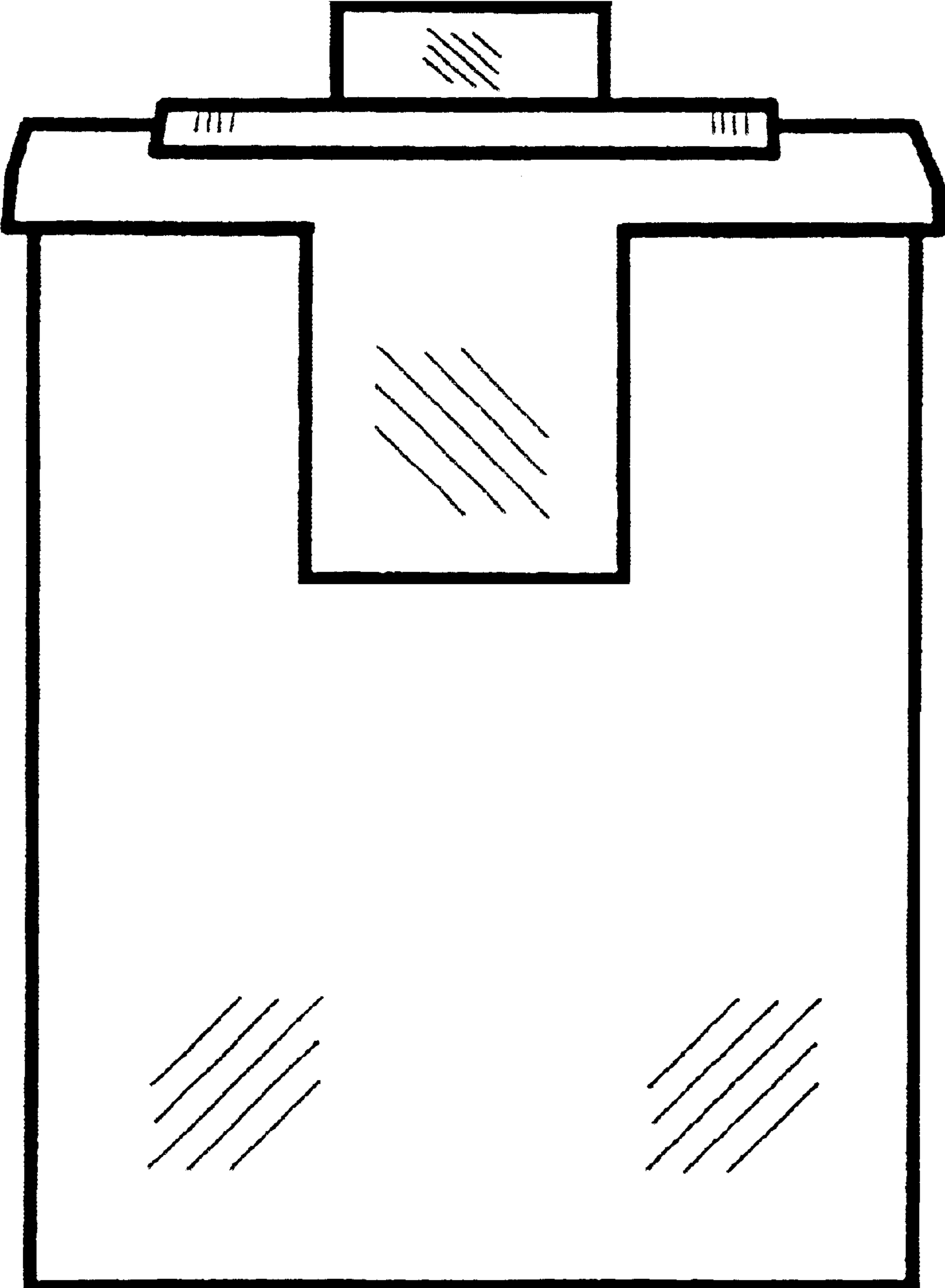


FIGURE 2

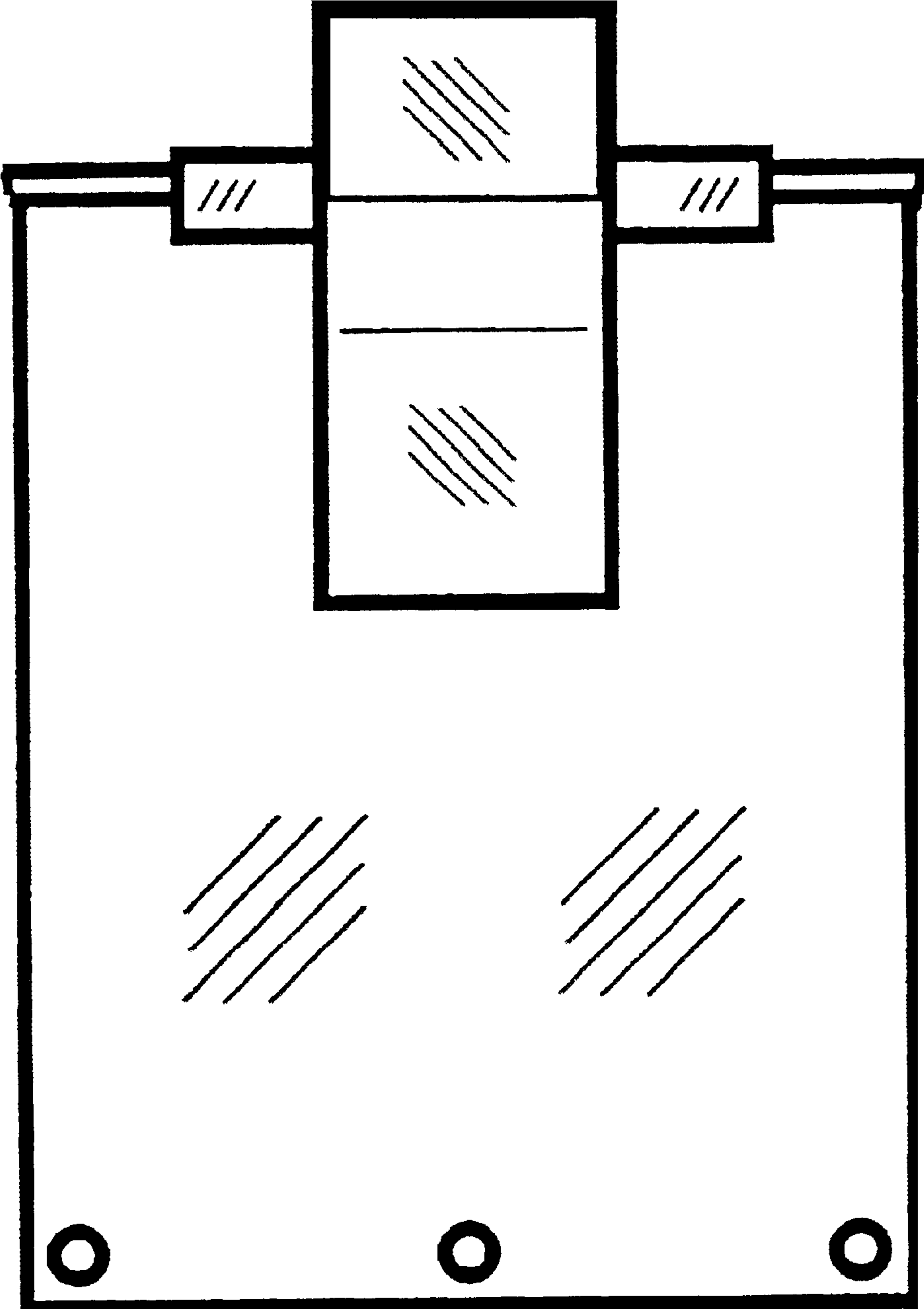


FIGURE 3

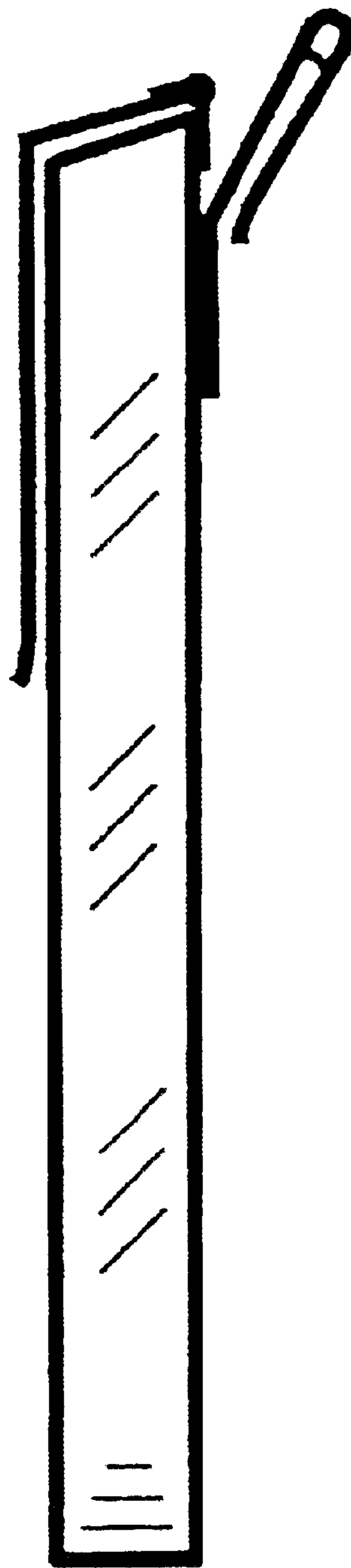


FIGURE 4

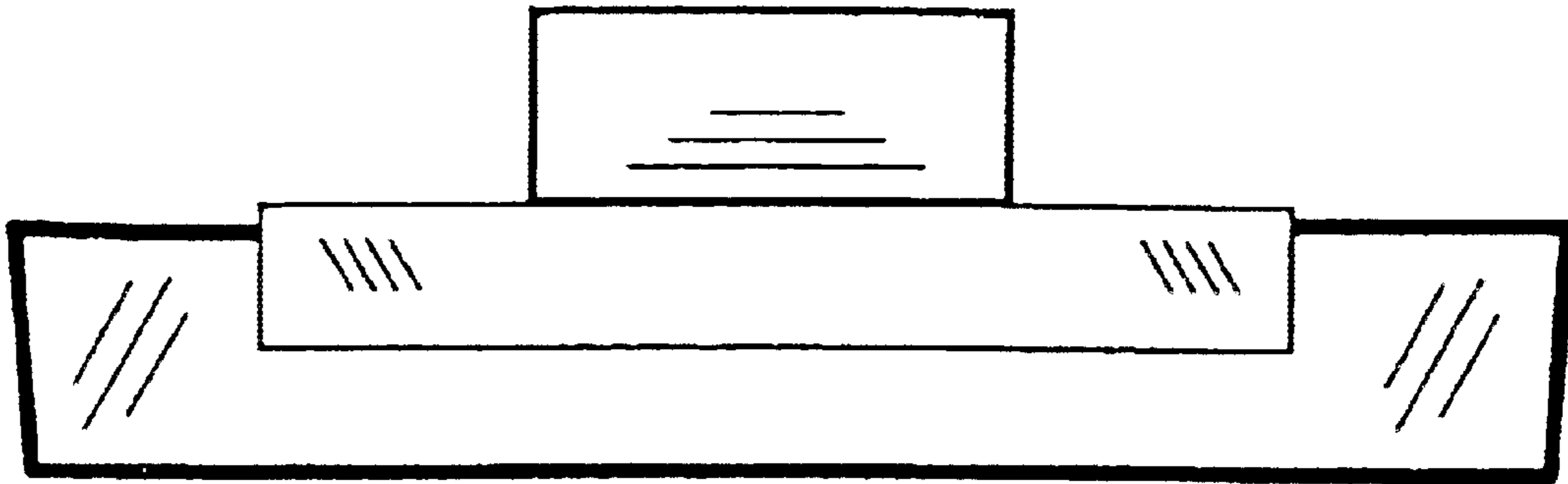


FIGURE 5

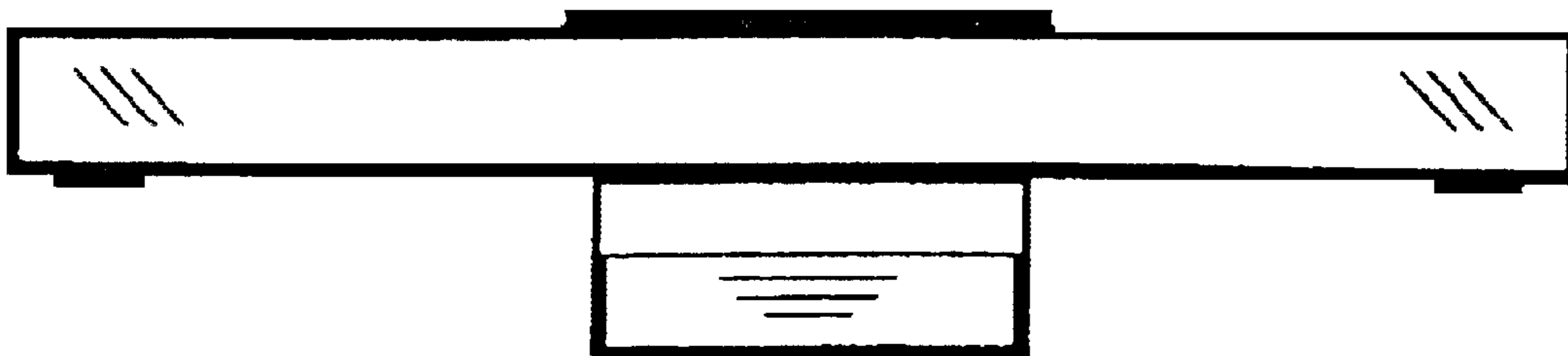


FIGURE 6