



US00D505285S

(12) **United States Design Patent**  
**Hunt et al.**

(10) **Patent No.:** **US D505,285 S**  
(45) **Date of Patent:** **\*\* May 24, 2005**

(54) **MEDIA STORAGE TRAY**

(75) Inventors: **Thomas A. Hunt**, Rancho Santa Fe, CA (US); **Robert B. O'Neill**, Carlsbad, CA (US); **Thomas E. Veloskey**, San Marcos, CA (US)

(73) Assignee: **Spectrum Concepts Inc.**, Carlsbad, CA (US)

(\*\*) Term: **14 Years**

(21) Appl. No.: **29/168,087**

(22) Filed: **Sep. 25, 2002**

(51) **LOC (7) Cl.** ..... **06-06**

(52) **U.S. Cl.** ..... **D6/510; D6/629**

(58) **Field of Search** ..... D6/407, 627-630, D6/449, 450, 466, 553, 555, 572; 206/308.1, 309; 211/40, 42, 43, 41.12; 312/9.1, 9.9, 9.11, 9.16, 9.46, 9.53, 9.54, 9.47, 9.65, 9.51

(56) **References Cited**

**U.S. PATENT DOCUMENTS**

2,616,567 A \* 11/1952 McCulloch ..... 211/41.12  
D209,455 S \* 12/1967 Clark ..... D6/407  
D236,570 S \* 9/1975 Dagard ..... D6/407  
6,332,546 B1 \* 12/2001 Hunt ..... 211/40

\* cited by examiner

*Primary Examiner*—Cathron Brooks

(74) *Attorney, Agent, or Firm*—Duckor Spradling Metzger & Wynne; Bernard L. Kleinke

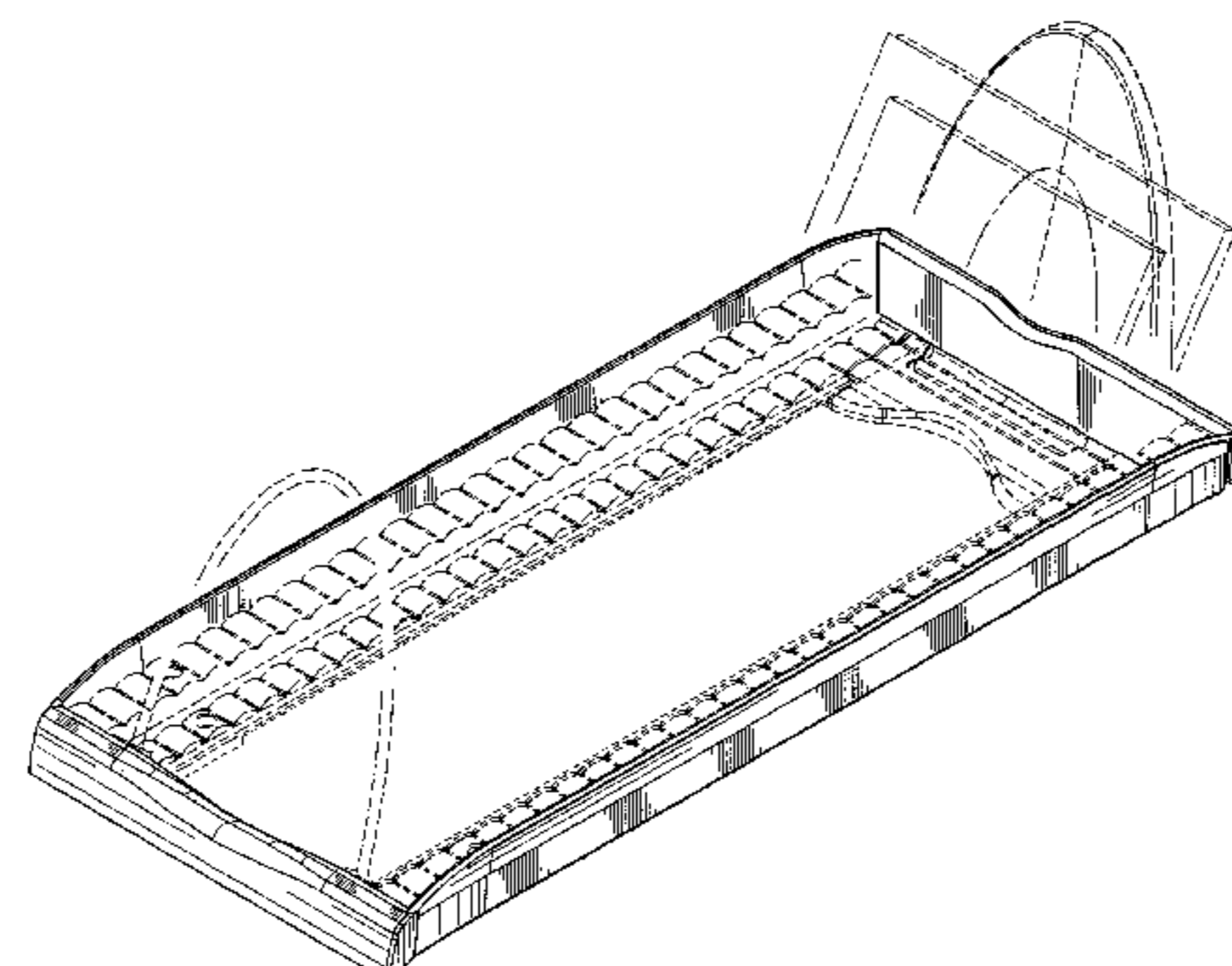
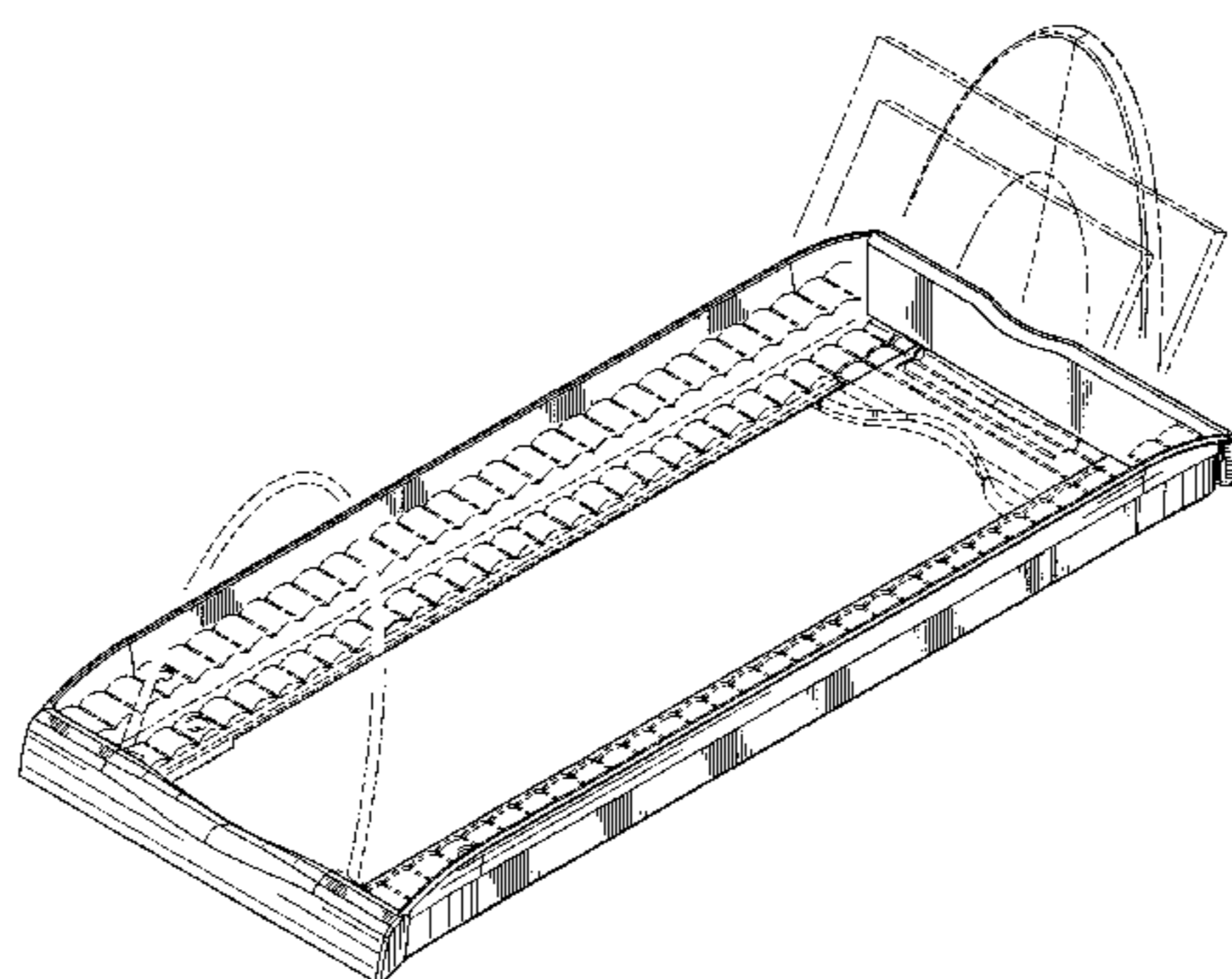
(57) **CLAIM**

The ornamental design for a media storage tray, as shown and described.

**DESCRIPTION**

FIG. 1 is a pictorial view of a first embodiment of a media storage tray illustrating the top, left and front sides thereof; FIG. 2 is an elevational view of the front side of the media storage tray of FIG. 1; FIG. 3 is an elevational view of the rear side of the media storage tray of FIG. 1; FIG. 4 is an elevational view of the left side of the media storage tray of FIG. 1; FIG. 5 is an elevational view of the right side of the media storage tray of FIG. 1; FIG. 6 is a plan view of the top side of the media storage tray of FIG. 1; FIG. 7 is a plan view of the bottom side of the media storage tray of FIG. 1; FIG. 8 is a pictorial view of a second embodiment of a media storage tray illustrating the top, left and front sides thereof; FIG. 9 is an elevational view of the front side of the media storage tray of FIG. 8; FIG. 10 is an elevational view of the rear side of the media storage tray of FIG. 8; FIG. 11 is an elevational view of the left side of the media storage tray of FIG. 8; FIG. 12 is an elevational view of the right side of the media storage tray of FIG. 8; FIG. 13 is a plan view of the top side of the media storage tray of FIG. 8; and, FIG. 14 is a plan view of the bottom side of the media storage tray of FIG. 8. The broken lines shown in FIGS. 1 and 8 are for illustrative purposes only and form no part of the claimed design.

**1 Claim, 8 Drawing Sheets**



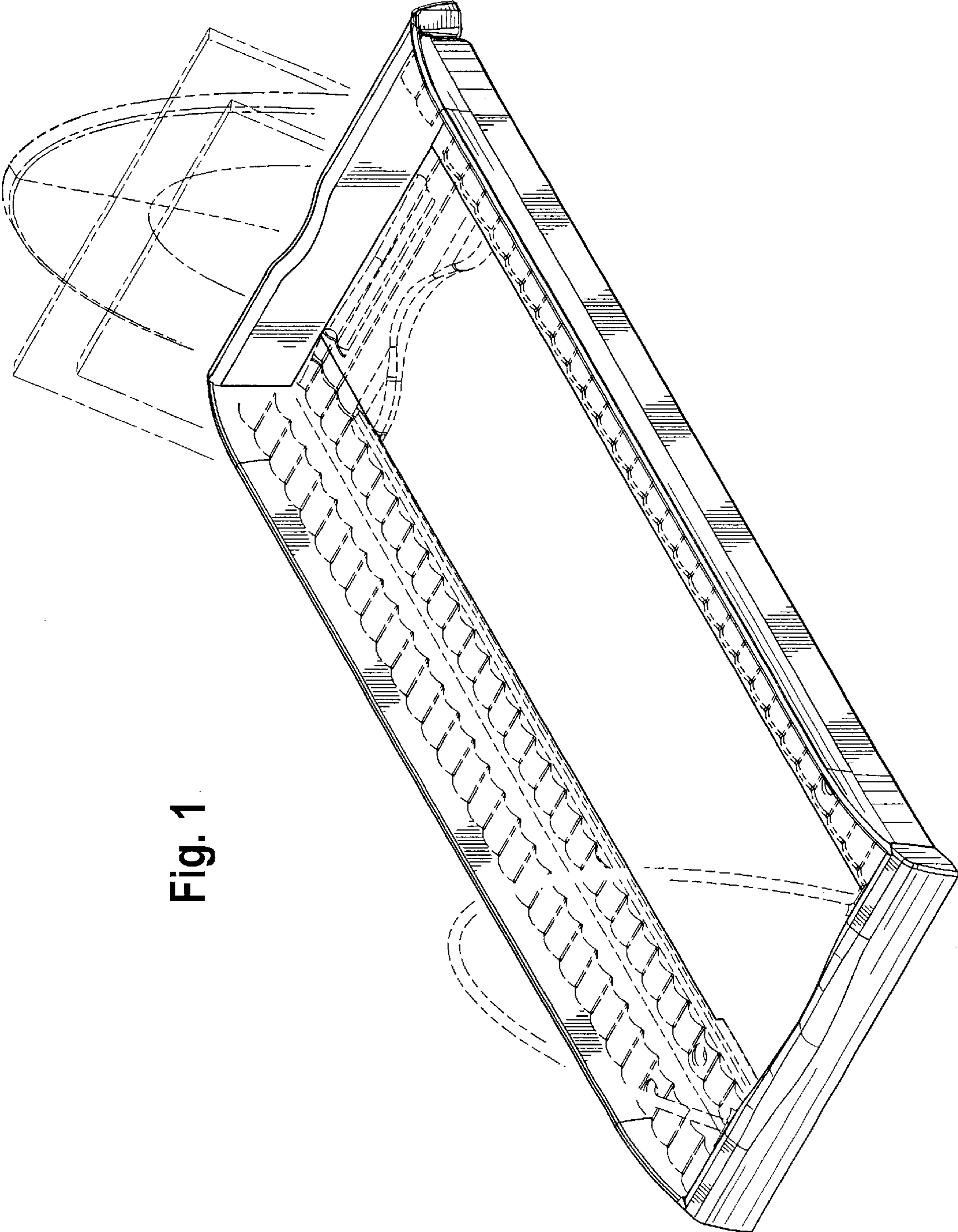


Fig. 1

Fig. 2

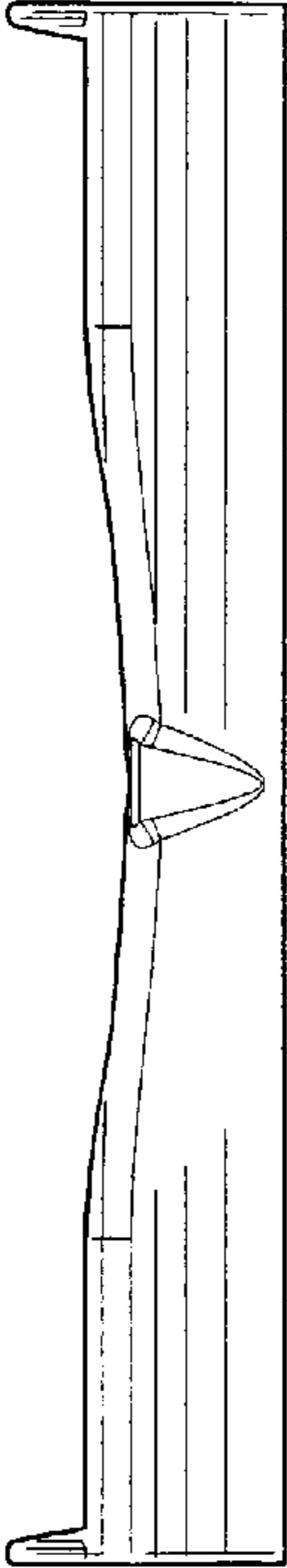


Fig. 3

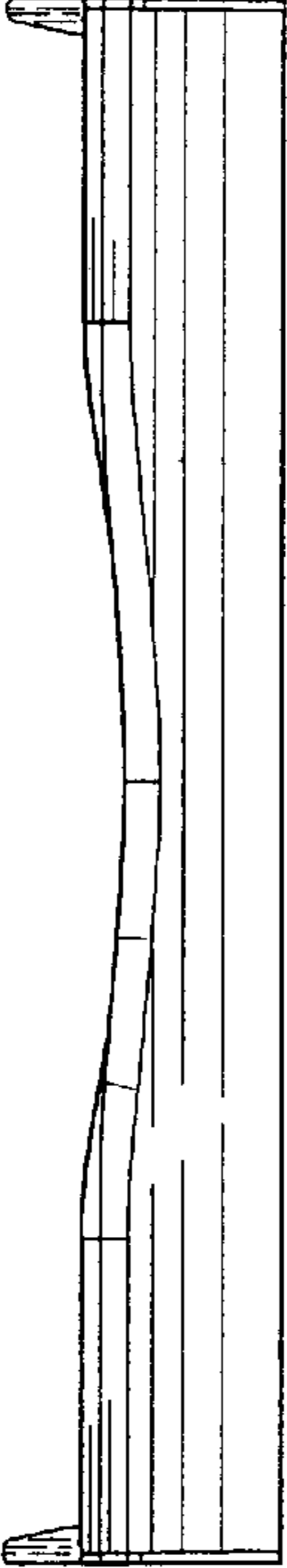


Fig. 4

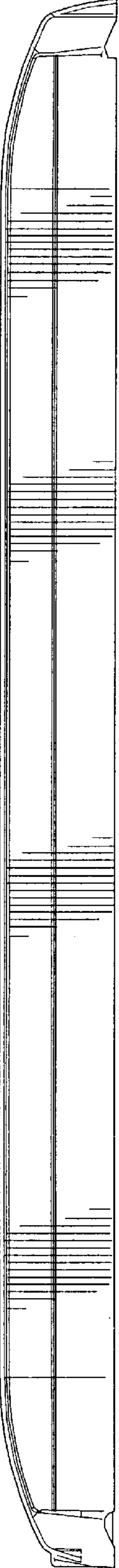


Fig. 5

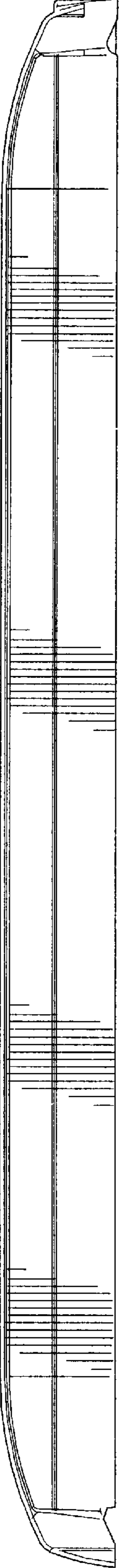
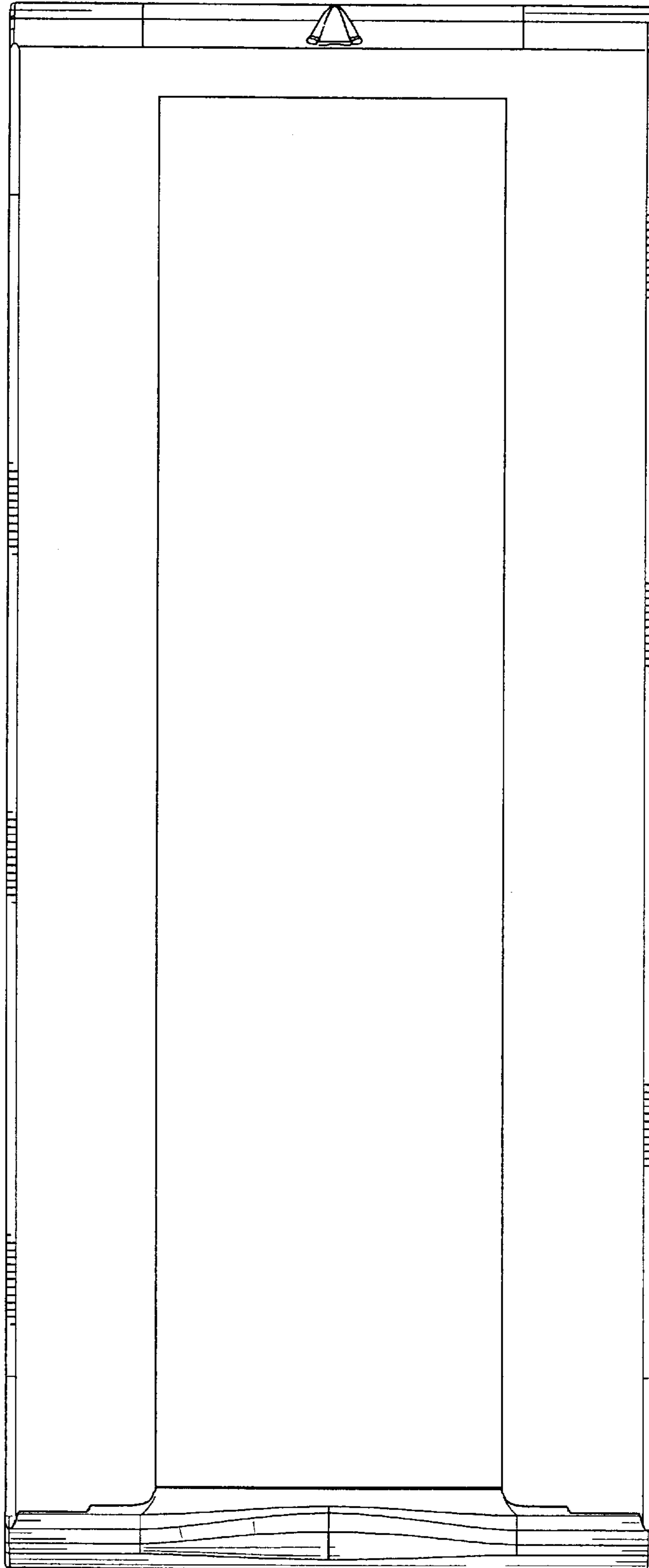
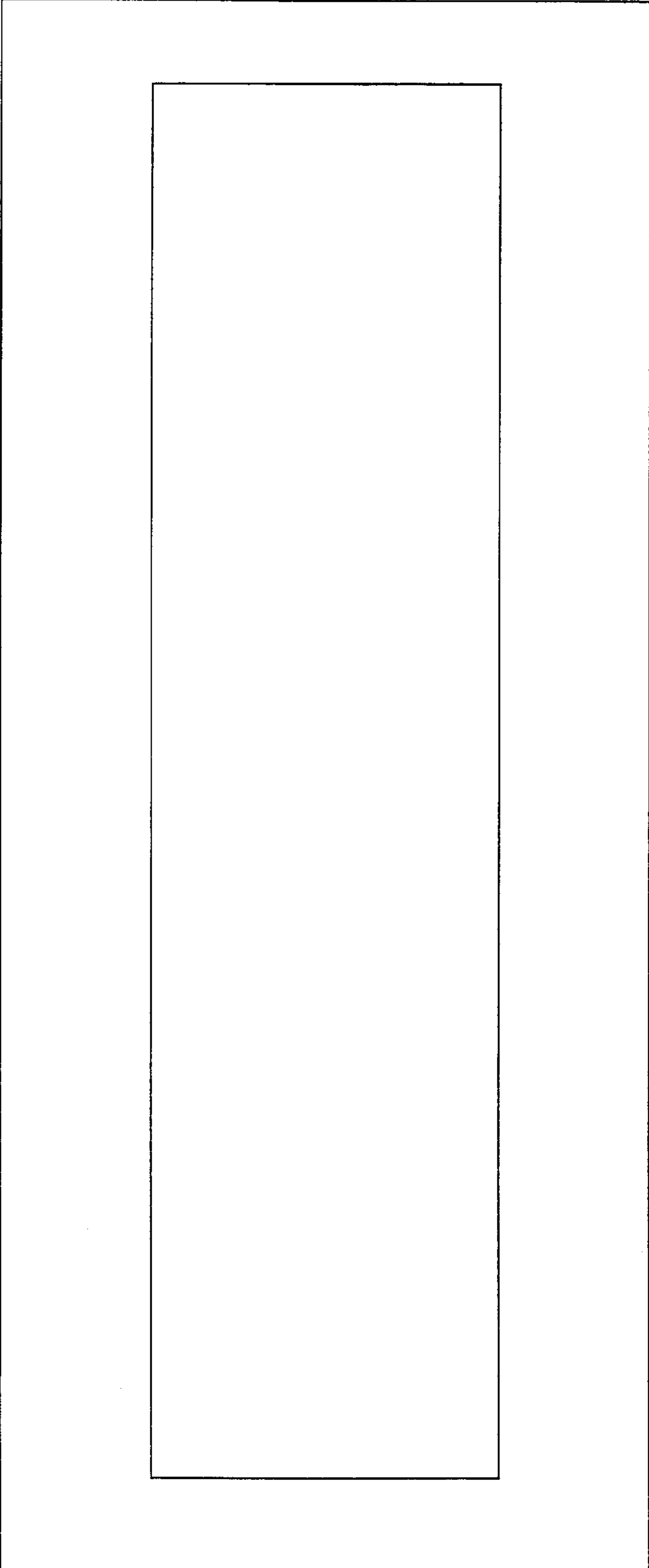


Fig. 6



**Fig. 7**



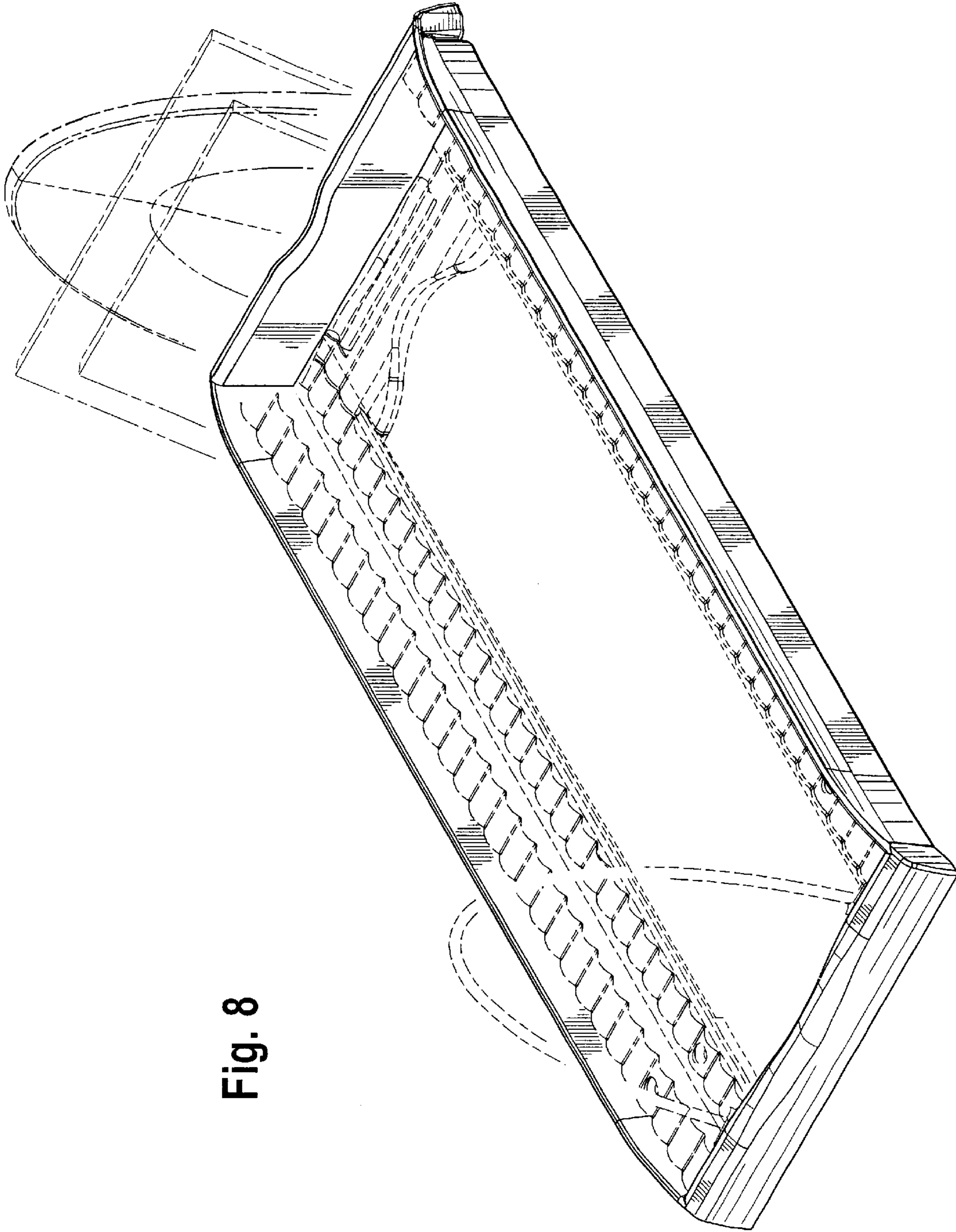


Fig. 8

Fig. 9

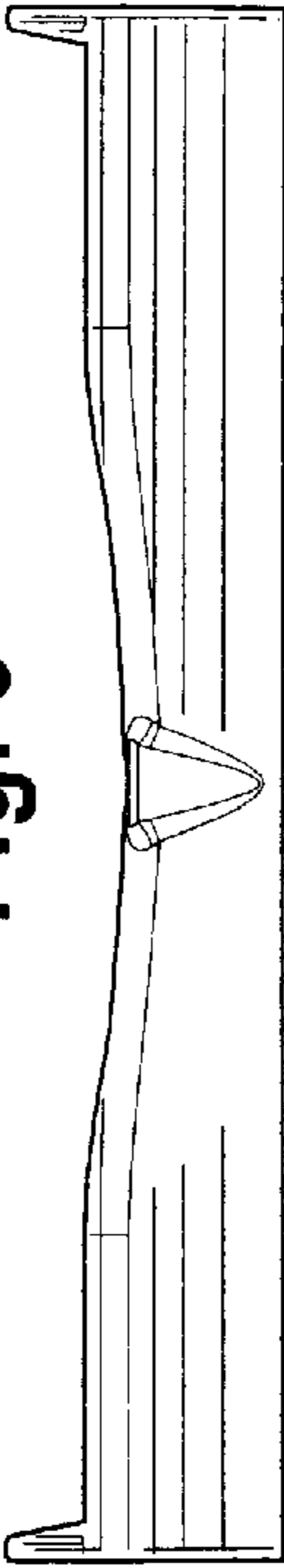


Fig. 10

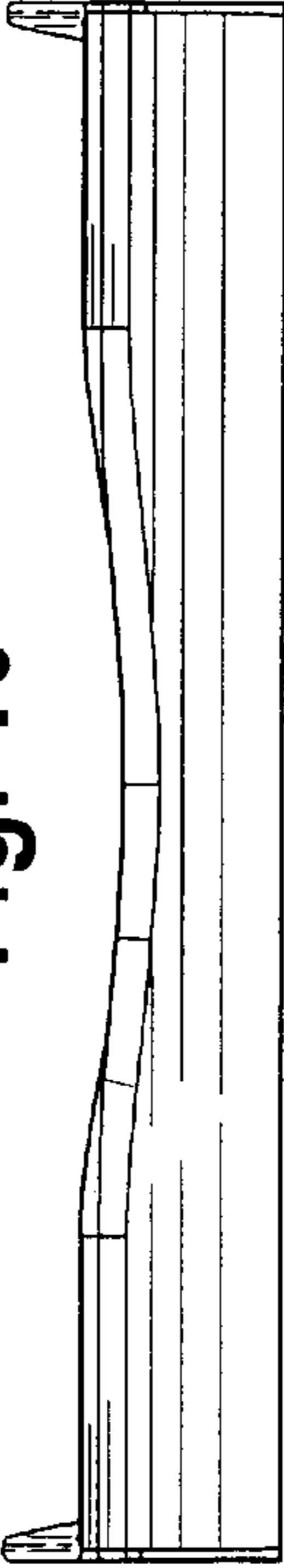


Fig. 11

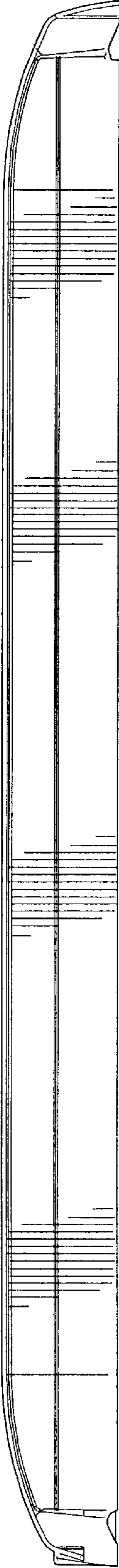


Fig. 12

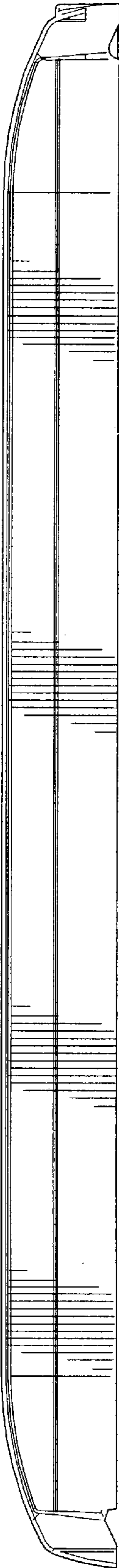
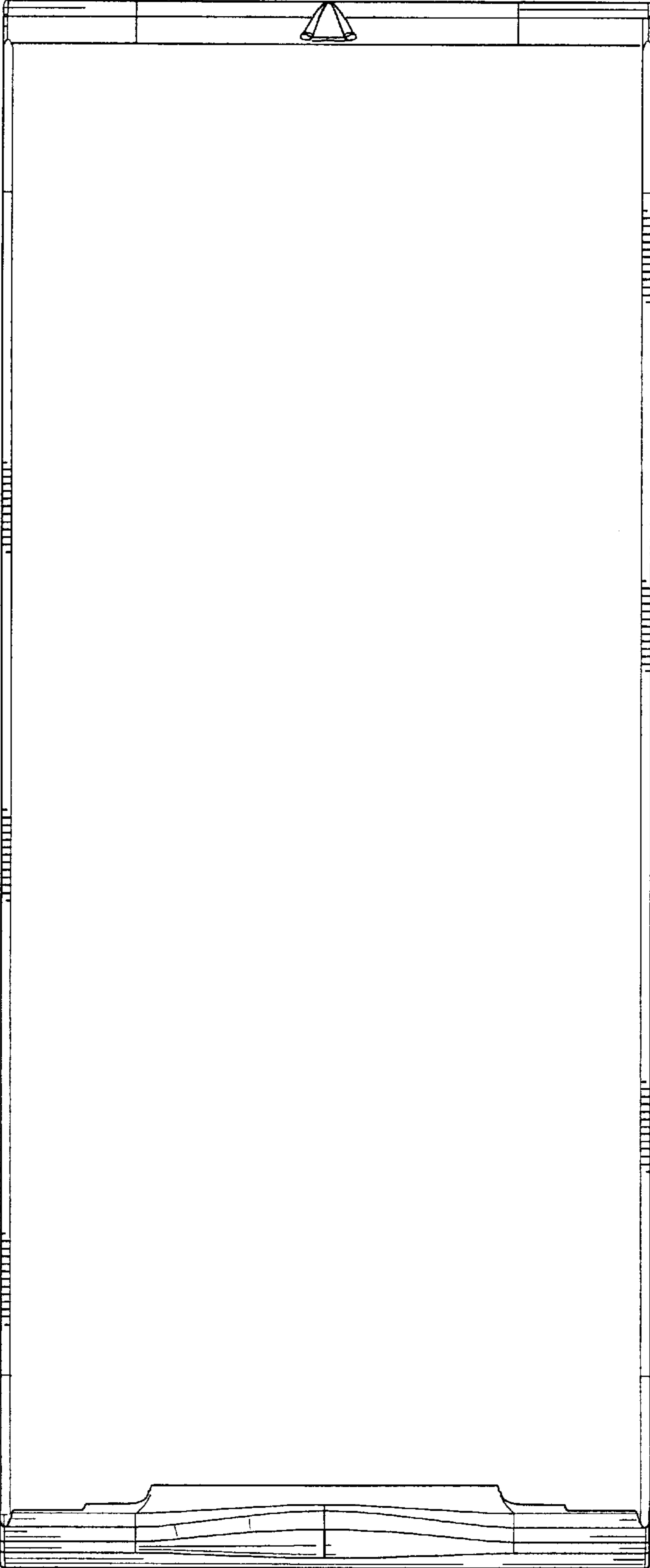


Fig. 13





**Fig. 14**

