

US00D505276S

(12) **United States Design Patent** (10) **Patent No.:** **US D505,276 S**
Cronk et al. (45) **Date of Patent:** **** May 24, 2005**

<p>(54) CHAIR WITH ARMS</p> <p>(75) Inventors: Jeffrey P. Cronk, Tulsa, OK (US); Joseph D. Keitel, Muscatine, IA (US); James M. Groulx, Muscatine, IA (US); Randall E. Green, Muscatine, IA (US)</p> <p>(73) Assignee: HON Technology Inc., Muscatine, IA (US)</p> <p>(**) Term: 14 Years</p> <p>(21) Appl. No.: 29/186,152</p> <p>(22) Filed: Jul. 10, 2003</p>	<p>D375,845 S 11/1996 Mourgue D379,269 S 5/1997 Hutton D380,095 S 6/1997 Diaz-Azcuy D394,558 S * 5/1998 Hutton D6/334 D400,015 S * 10/1998 Hutton D6/334 D403,515 S * 1/1999 Lewis D6/334 D422,422 S 4/2000 Black D431,117 S 9/2000 Hutton D431,118 S 9/2000 Hutton D432,321 S 10/2000 Buehler D433,824 S 11/2000 King D442,374 S 5/2001 Hutton D446,961 S 8/2001 Natuzzi et al. D465,662 S * 11/2002 Hutton D6/334 D468,543 S * 1/2003 O'Hare et al. D6/334 D483,189 S * 12/2003 Cronk et al. D6/334 D486,652 S * 2/2004 Nemeth D6/334</p>
---	---

Related U.S. Application Data

(62) Division of application No. 29/156,256, filed on Feb. 26, 2002, now Pat. No. Des. 483,189.

(51) **LOC (7) Cl.** **06-01**

(52) **U.S. Cl.** **D6/334**

(58) **Field of Search** D6/334, 335, 374,
D6/379, 500, 501, 502; 297/445.1, 446.1

* cited by examiner

Primary Examiner—Gary D. Watson
(74) *Attorney, Agent, or Firm*—Joseph H. Golant; Jones Day

(57) **CLAIM**

The ornamental design for a chair with arms, as shown.

DESCRIPTION

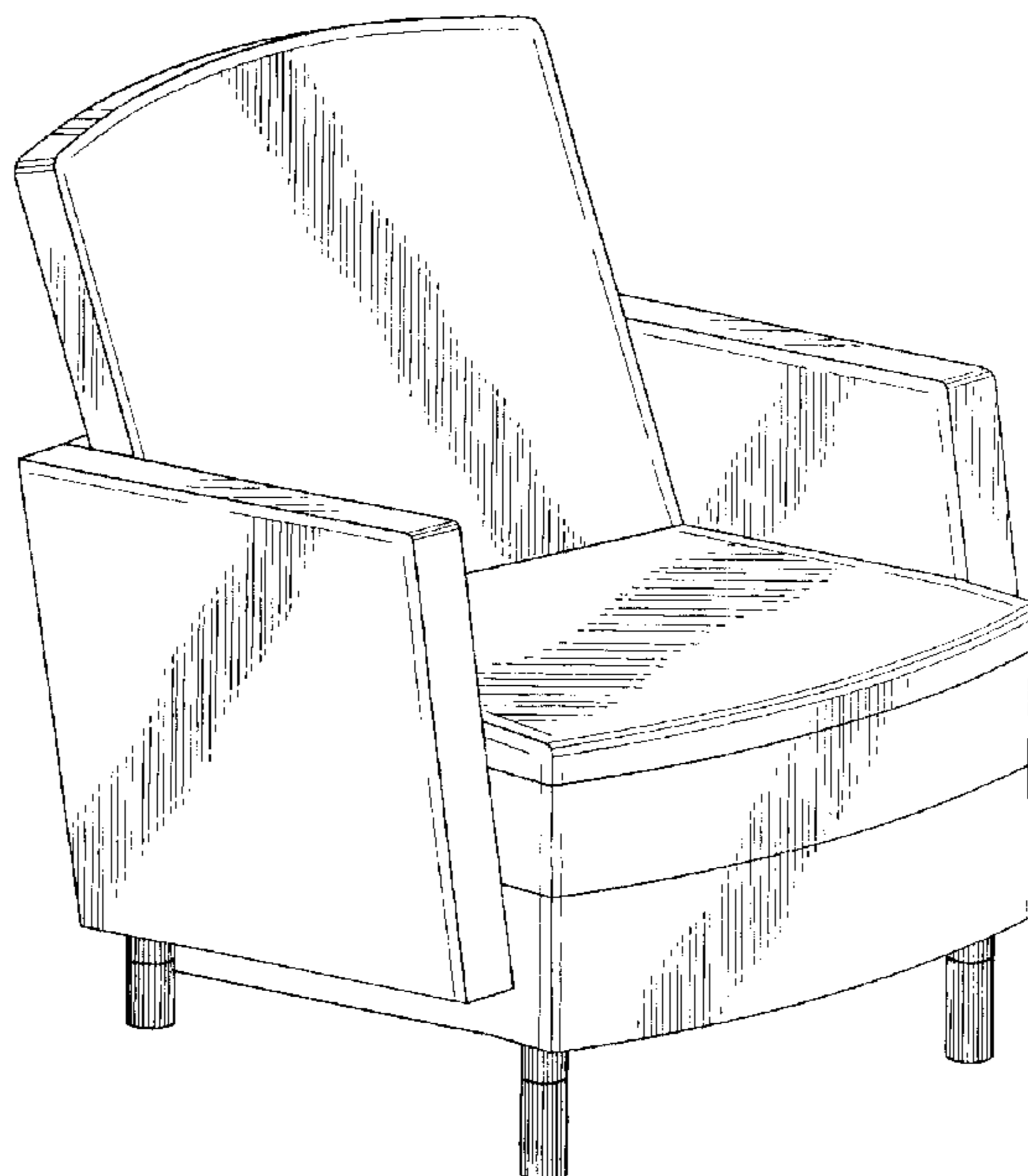
The design is embodied in the chair.
FIG. 1 is a front isometric view of the chair showing the new design:
FIG. 2 is a front view thereof;
FIG. 3 is a left side view thereof;
FIG. 4 is a rear view thereof;
FIG. 5 is a right side view thereof;
FIG. 6 is a top view thereof; and,
FIG. 7 is a bottom view thereof.

1 Claim, 7 Drawing Sheets

(56) **References Cited**

U.S. PATENT DOCUMENTS

D156,857 S	*	1/1950	Wallance	D6/334
D182,895 S		5/1958	Hoven et al.		
D190,805 S		7/1961	Deskey		
D231,876 S		6/1974	Kellum		
D293,630 S		1/1988	Stewart		
D293,631 S		1/1988	Offredi		
D360,310 S		7/1995	Stamberg et al.		
D367,194 S		2/1996	Hannum		
D367,841 S		3/1996	Garelick		
D372,610 S		8/1996	Hannum		



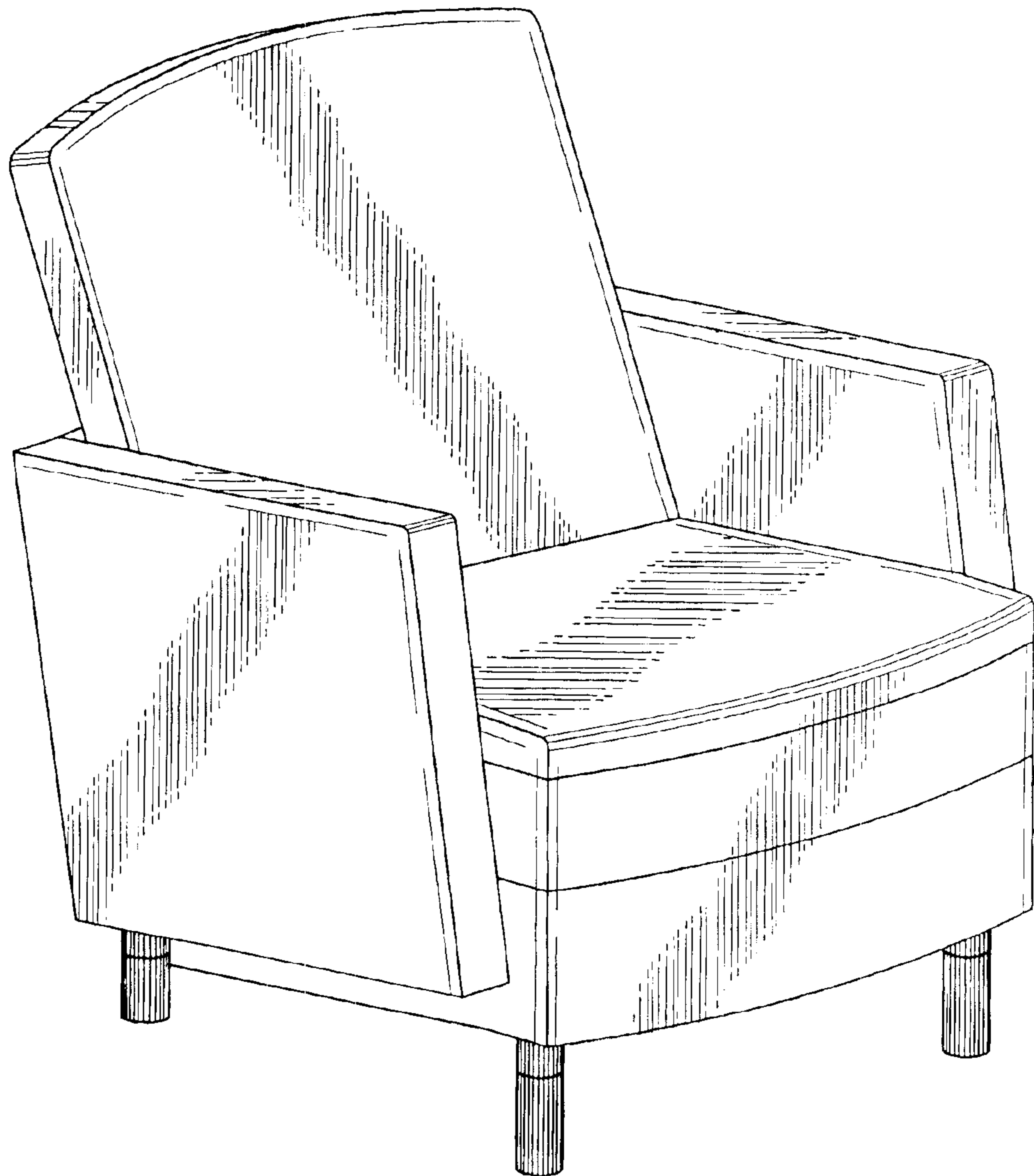


Fig. 1

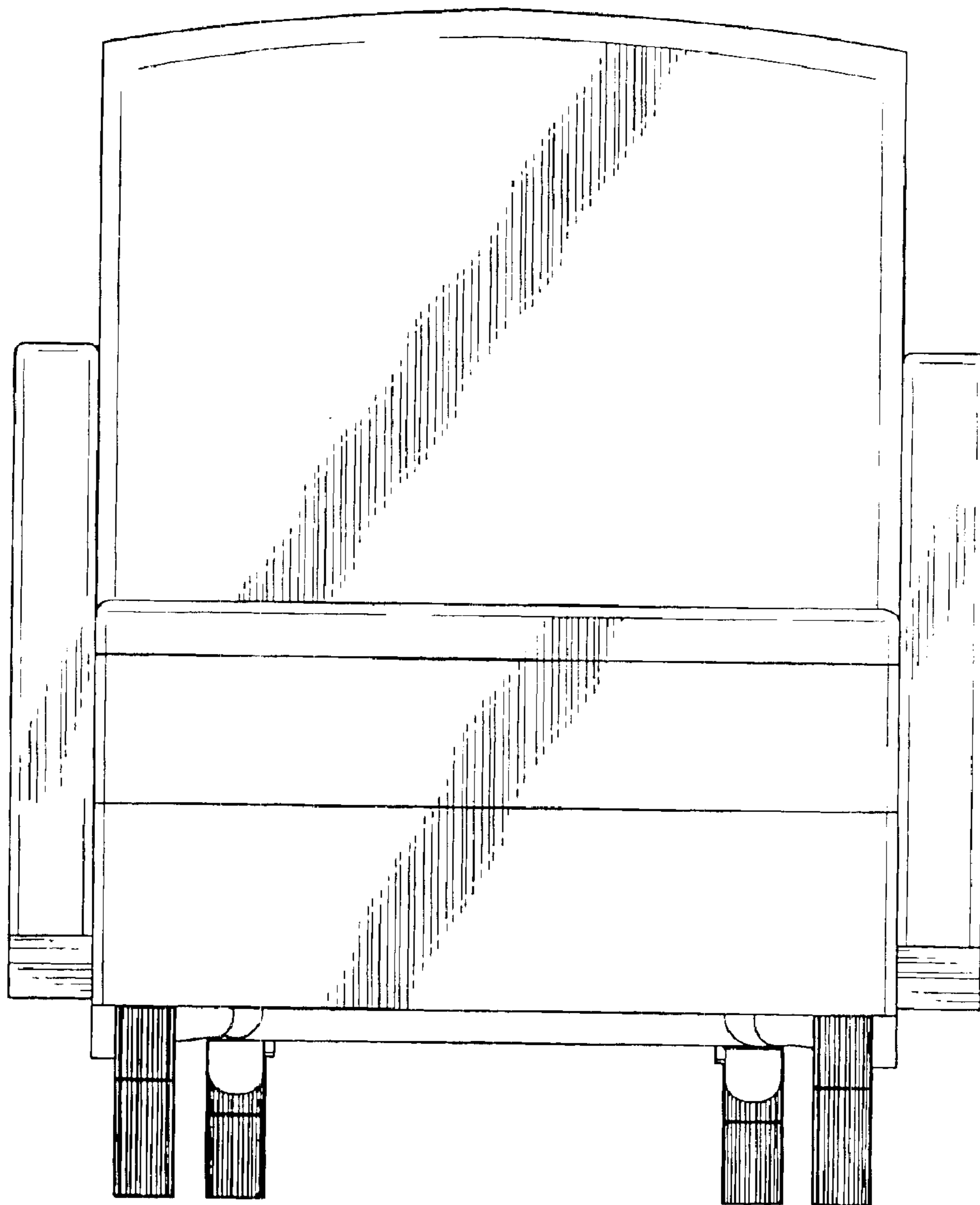


Fig. 2

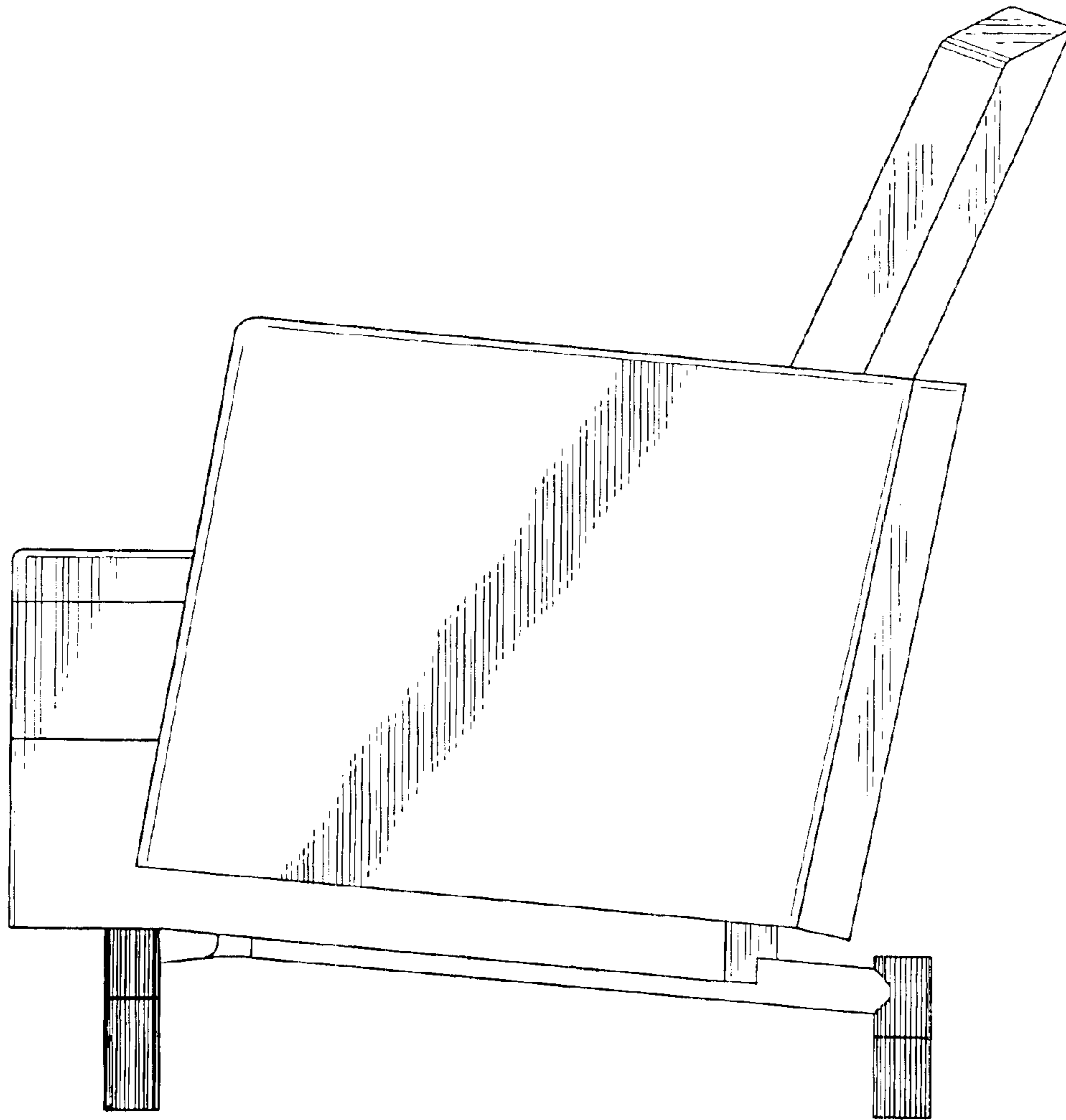


Fig. 3

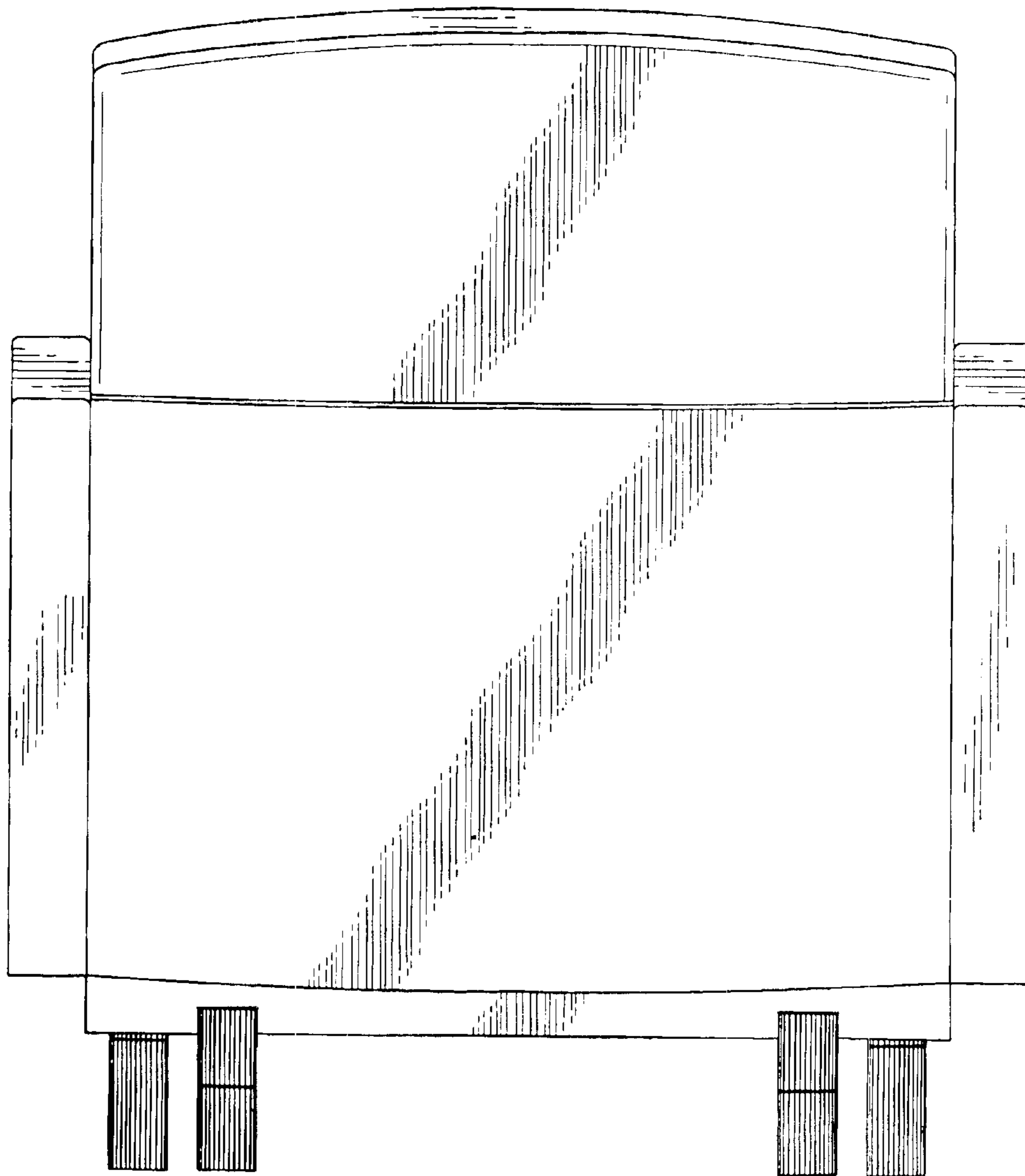


Fig. 4

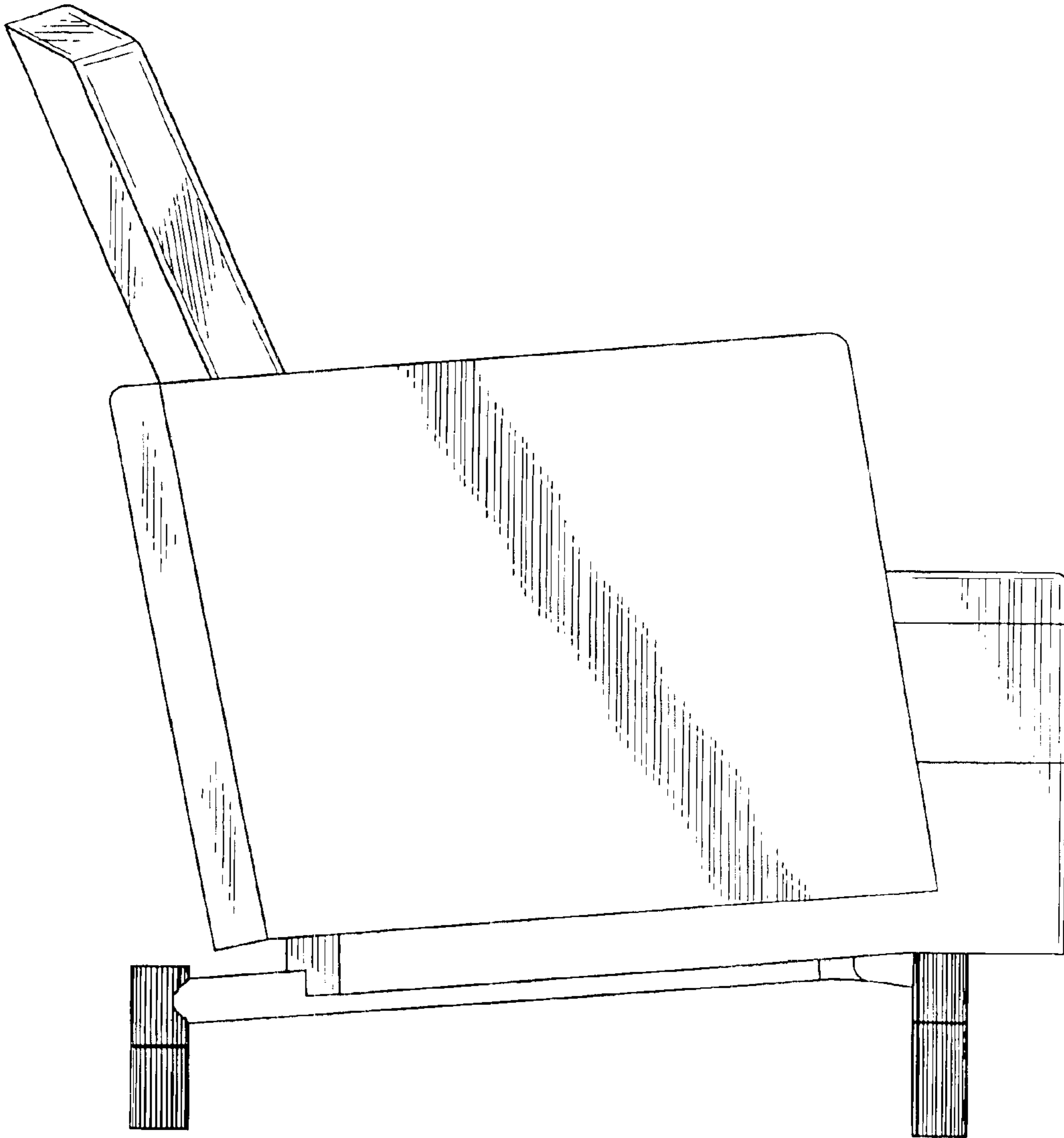


Fig. 5

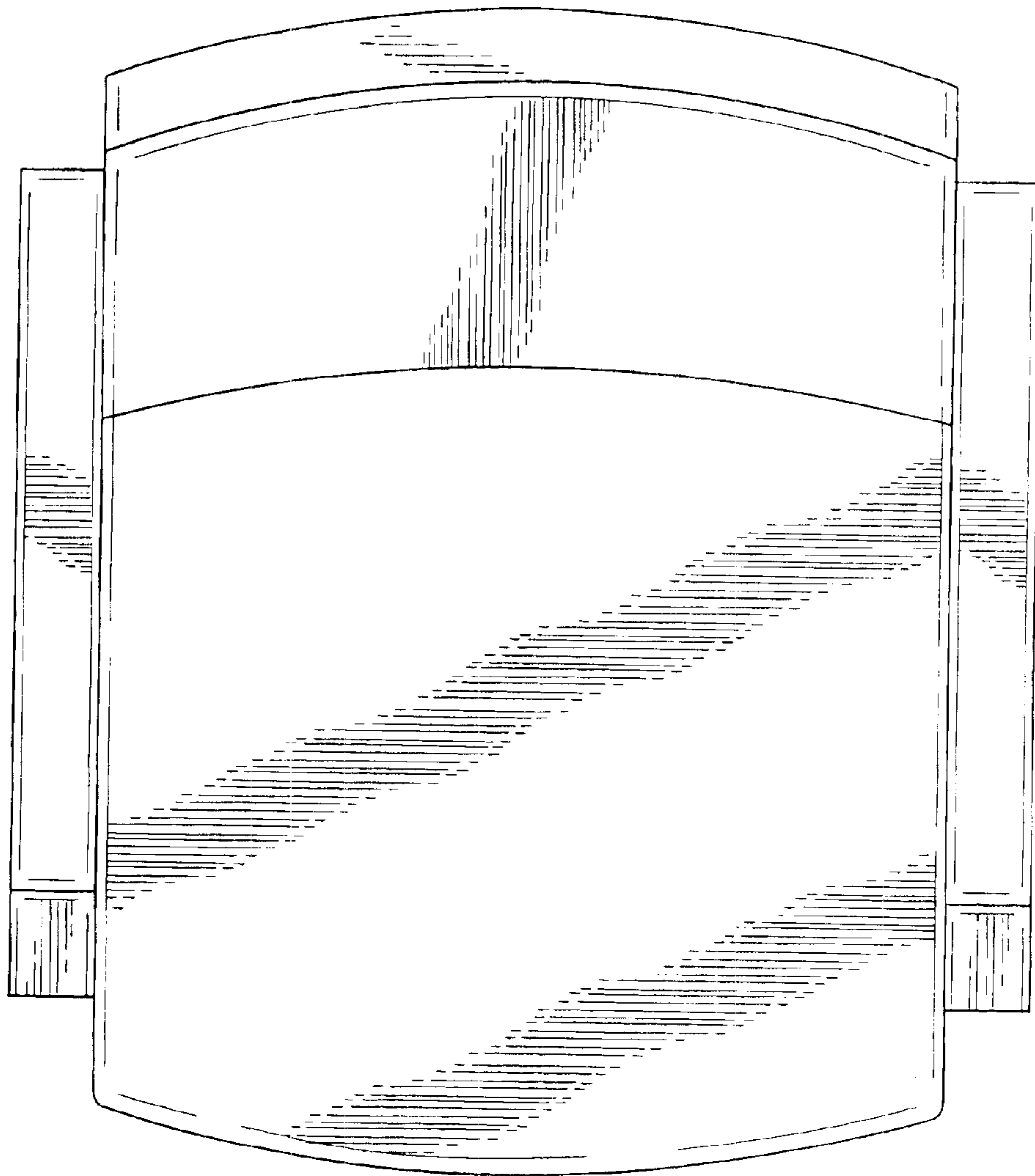


Fig. 6

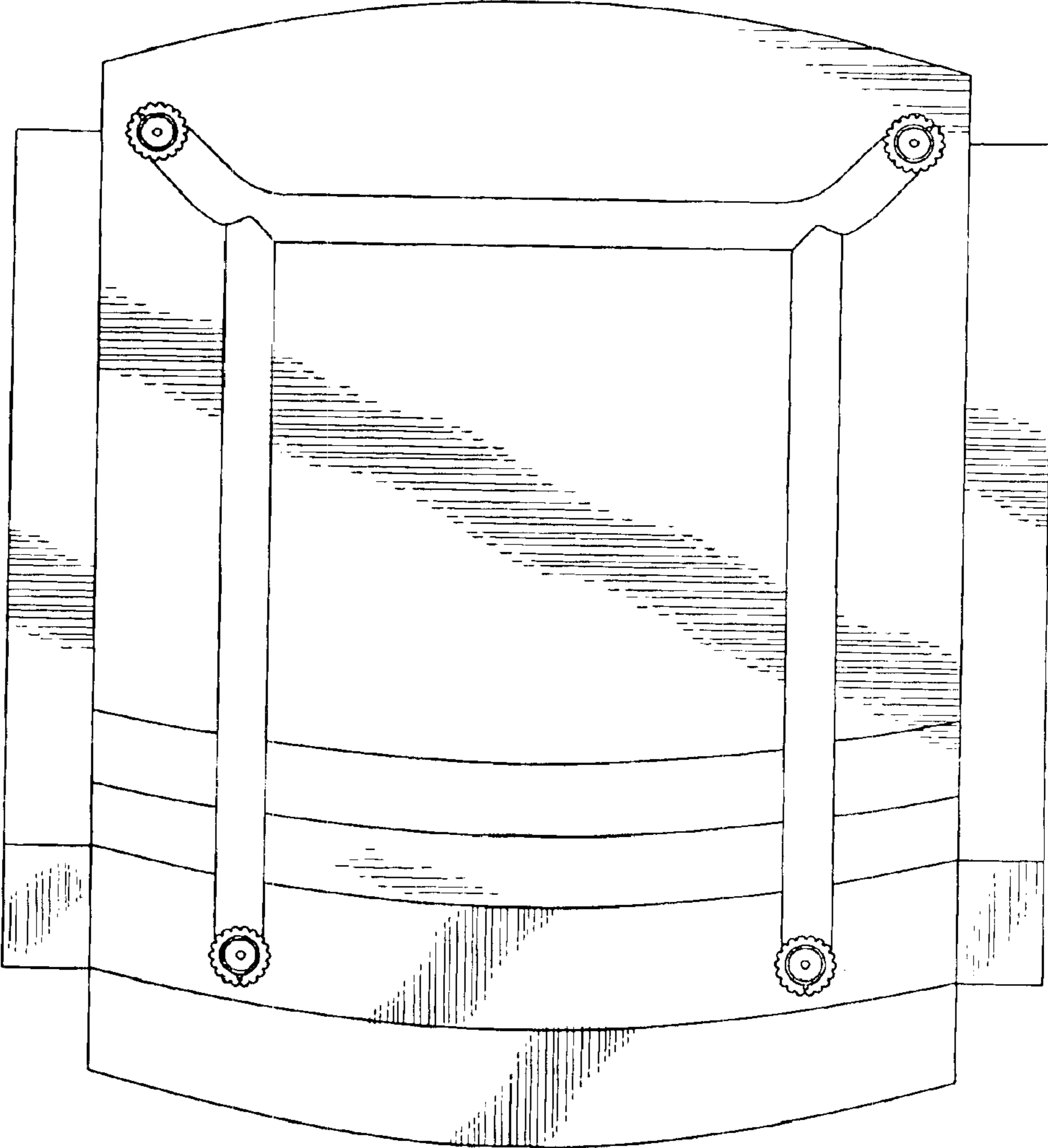


Fig. 7