



US00D505274S

(12) **United States Design Patent**
Lai

(10) **Patent No.: US D505,274 S**

(45) **Date of Patent: ** May 24, 2005**

(54) **HANGER RACK CONNECTOR FOR USE IN A BATHROOM**

(76) **Inventor: Ming-Hsiao Lai**, No. 8, Lane 2, Kung Chi Village, Ta Tsuen Hsiang, Chang-Hua Hsien (TW)

(**) **Term: 14 Years**

(21) **Appl. No.: 29/199,471**

(22) **Filed: Feb. 17, 2004**

(51) **LOC (7) Cl. 06-08**

(52) **U.S. Cl. D6/323**

(58) **Field of Search** D6/323, 320, 328; D8/107, 300, 367; 16/414, 417, 433, 441; 223/85, 97; 211/106.01, 30, 32, 33; 294/81.56, 82.1, 85, 86.4, 26, 28; 248/205.1

(56) **References Cited**

U.S. PATENT DOCUMENTS

253,509	A	*	2/1882	Chester	16/414
453,870	A	*	6/1891	Stevens	16/414
1,601,160	A	*	9/1926	Busch	16/417
D79,773	S	*	10/1929	Warner	D6/323
1,755,301	A	*	4/1930	McCullough	16/417
2,275,007	A	*	3/1942	Caestecker	248/205.1
D144,010	S	*	2/1946	Van Doren	D6/323

D281,838	S	*	12/1985	Thompson	D6/323
D389,326	S	*	1/1998	Moore	D6/323
D448,654	S	*	10/2001	Snell	D8/367
D454,480	S	*	3/2002	Ou-Young	D8/367
D488,943	S	*	4/2004	Bates	D6/524
D493,348	S	*	7/2004	Bertani	D8/300

* cited by examiner

Primary Examiner—Nanda Bondade

Assistant Examiner—Shanda C. Hill

(74) *Attorney, Agent, or Firm*—Harrison & Egbert

(57) **CLAIM**

The ornamental design for a hanger rack connector for use in a bathroom, as shown and described.

DESCRIPTION

FIG. 1 is a top perspective view of a hanging rack connector for use in a bathroom, showing my new design.

FIG. 2 is a front view thereof;

FIG. 3 is a back view thereof;

FIG. 4 is a side view thereof;

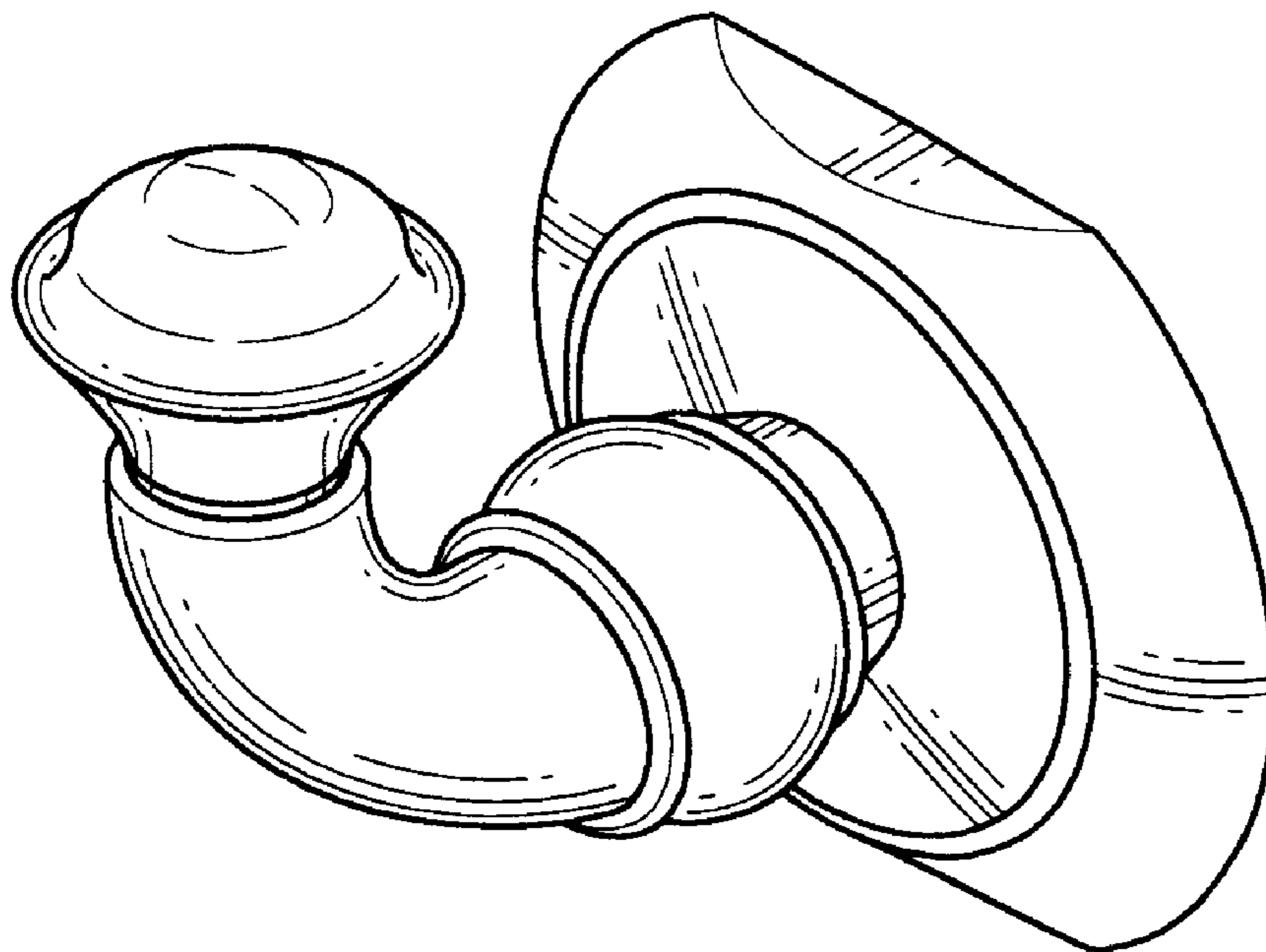
FIG. 5 is an opposite side view thereof;

FIG. 6 is a top view thereof;

FIG. 7 is a bottom view thereof; and,

FIG. 8 is a perspective view thereof, with the base being rotated.

1 Claim, 5 Drawing Sheets



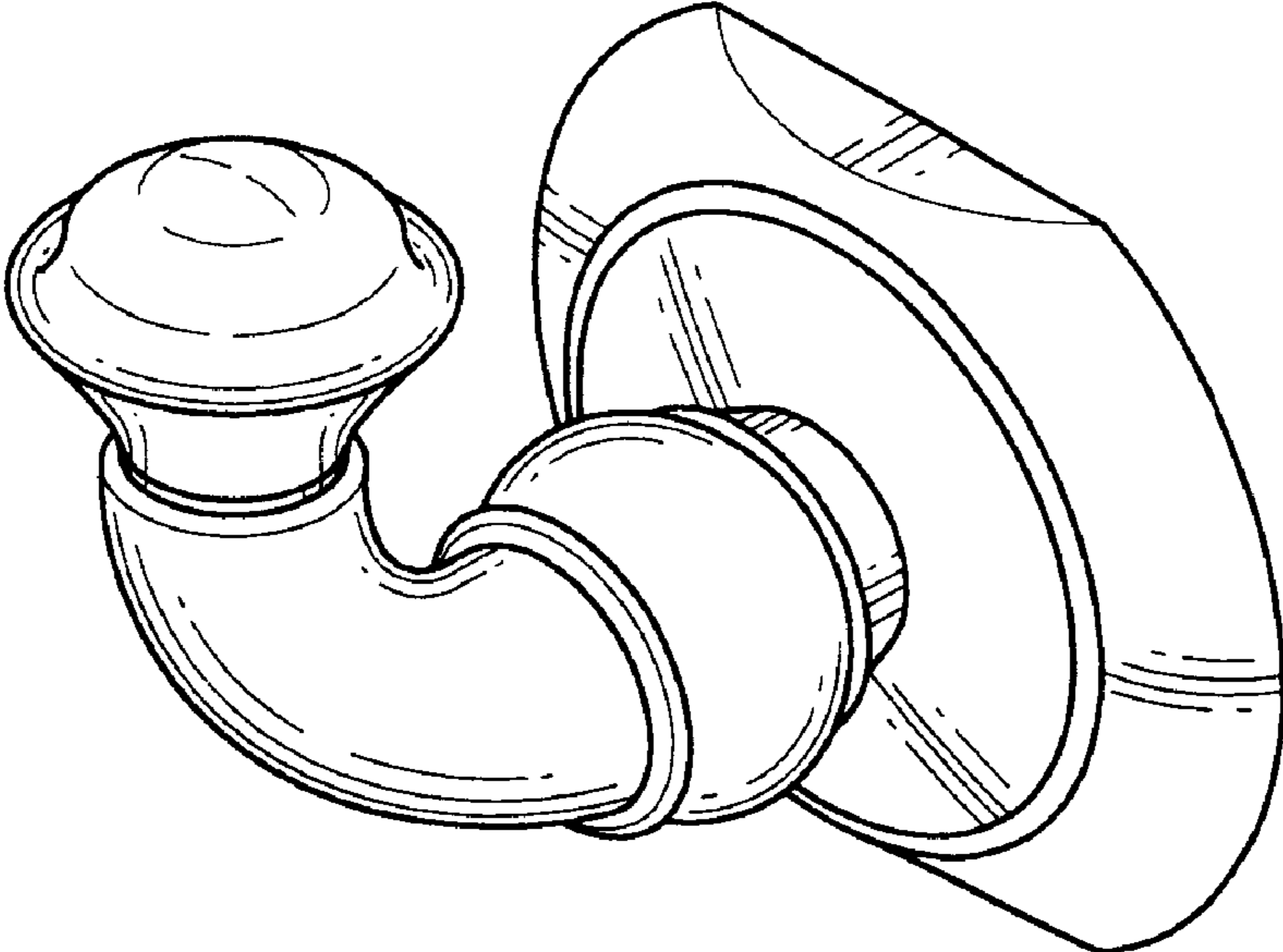


FIG.1

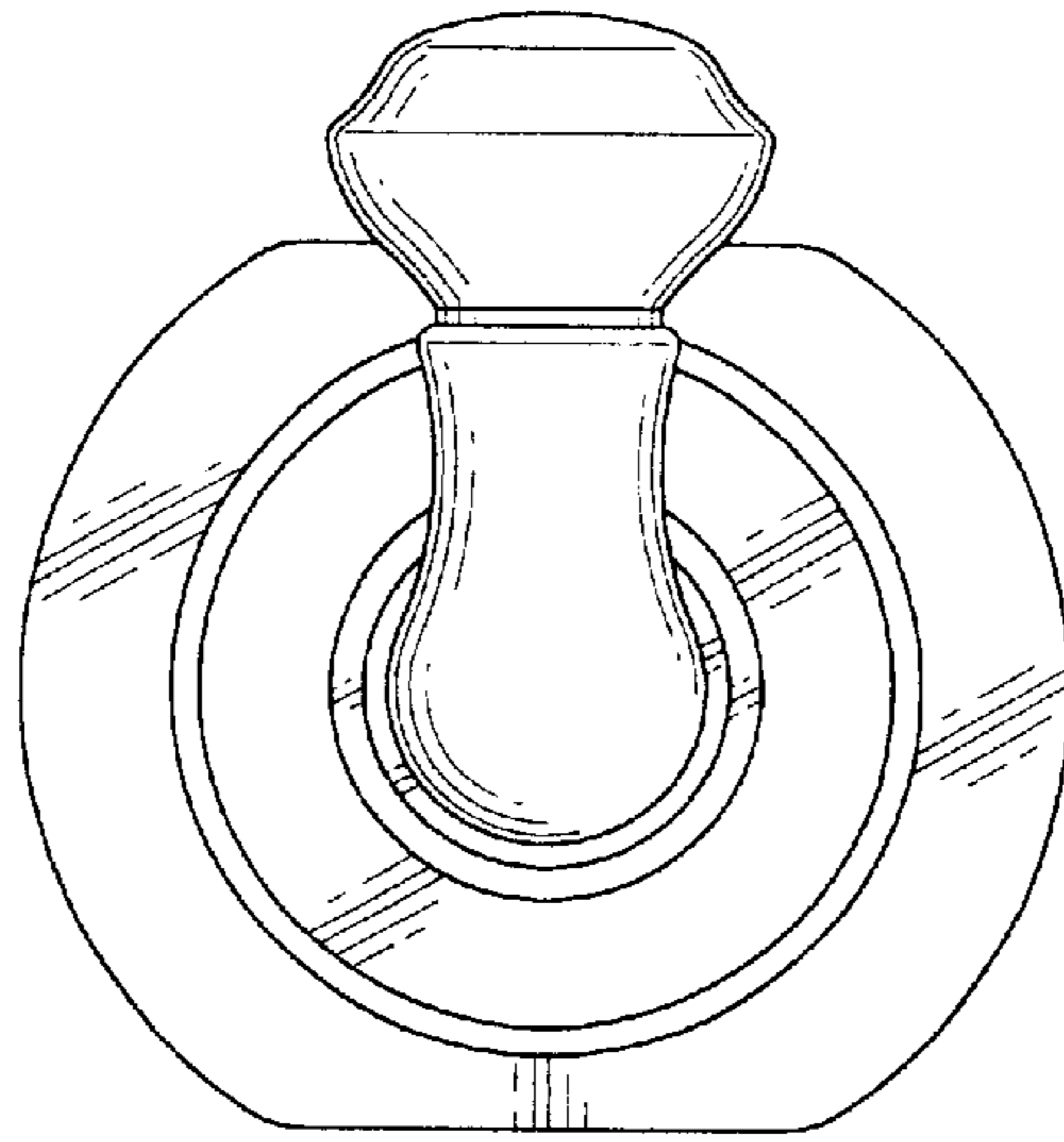


FIG. 2

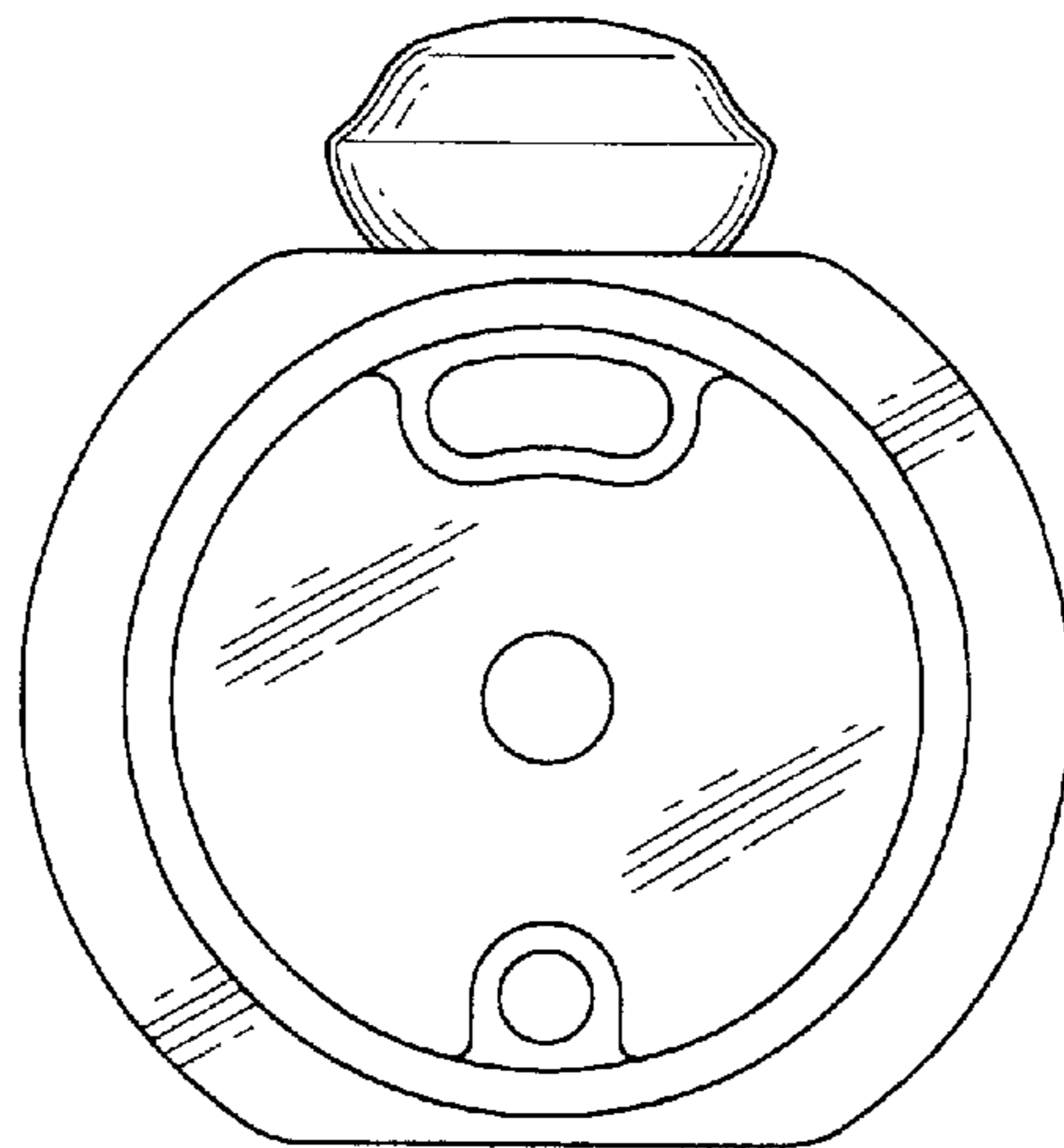


FIG. 3

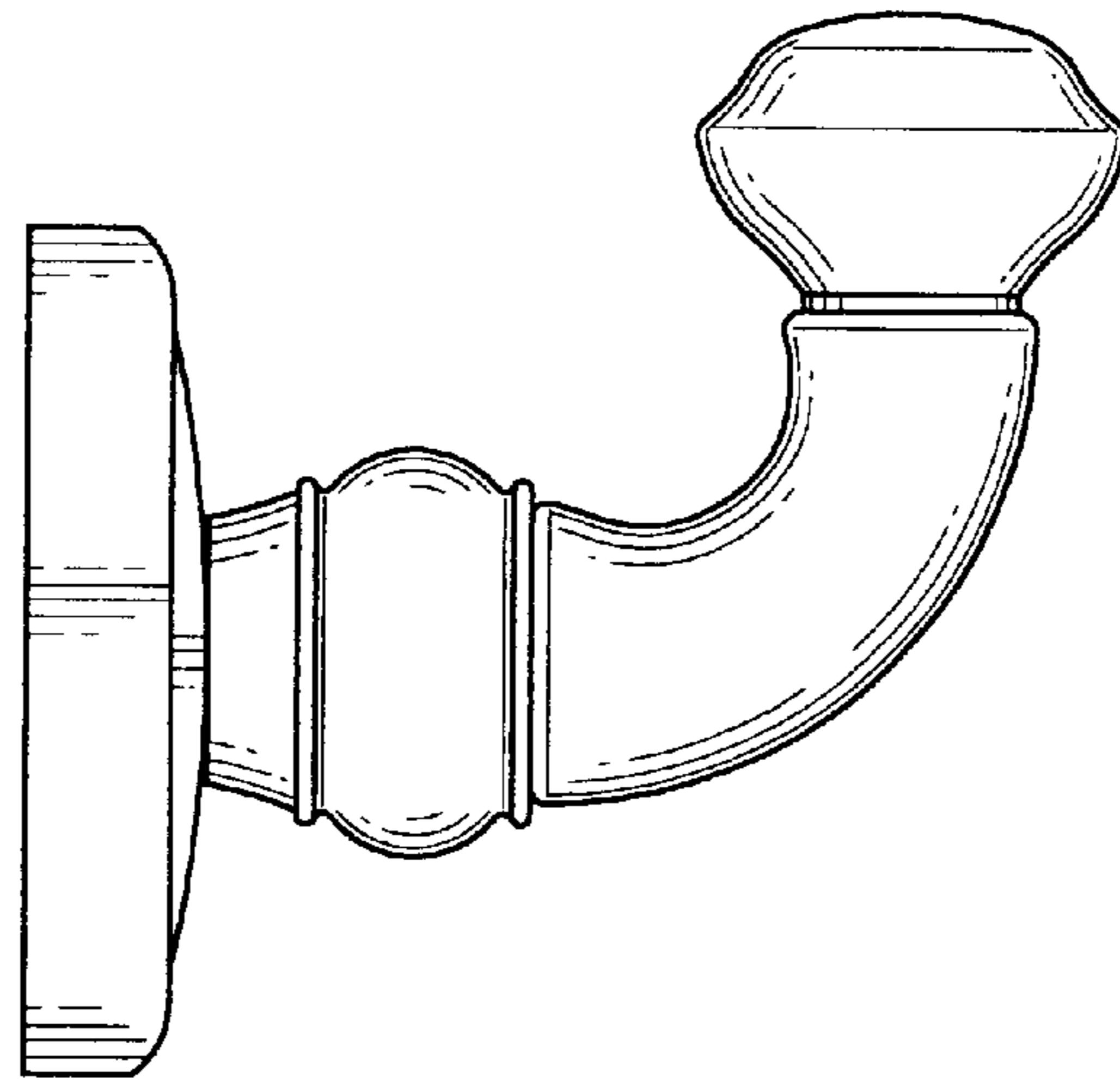


FIG. 4

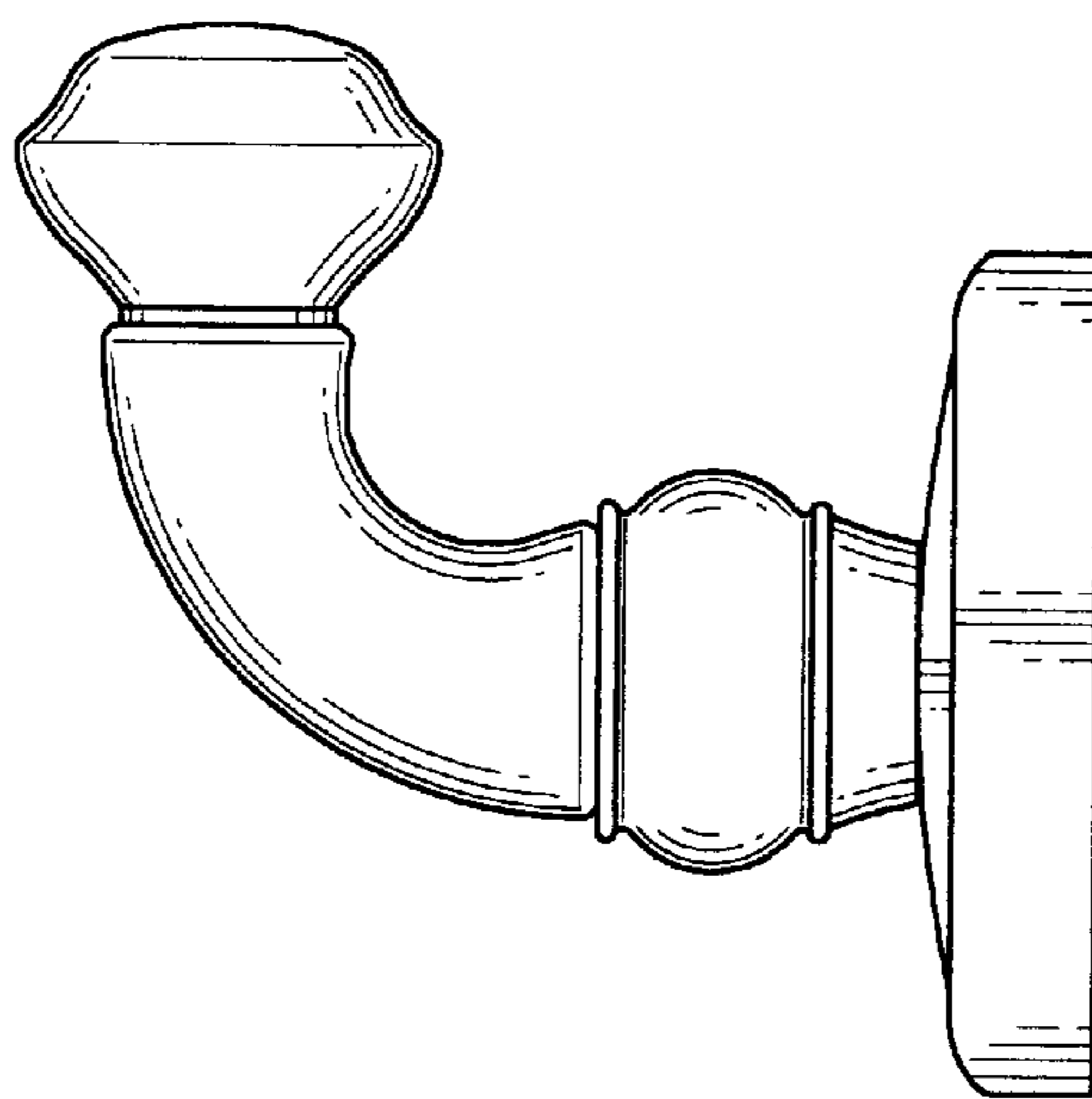


FIG. 5

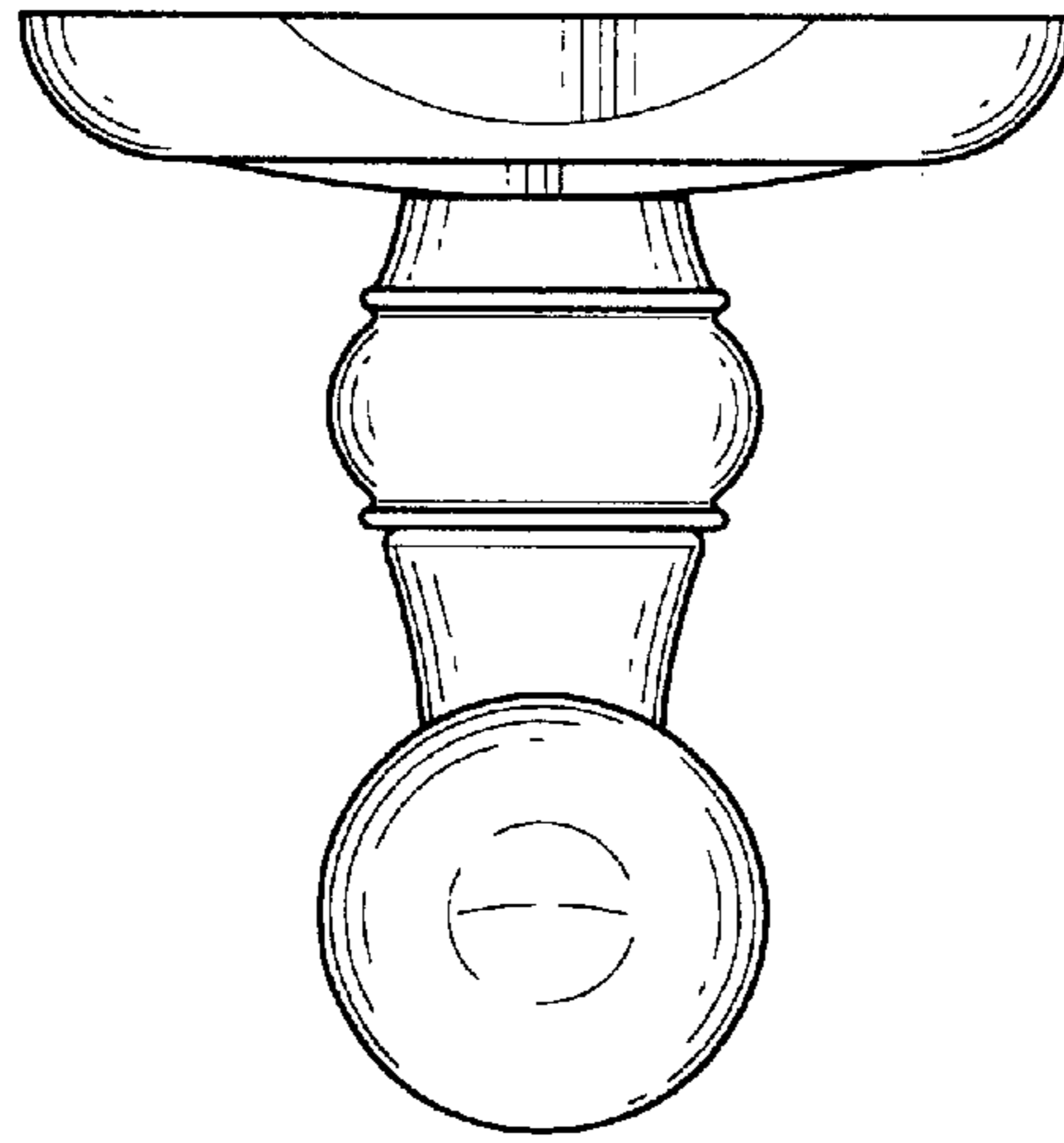


FIG. 6

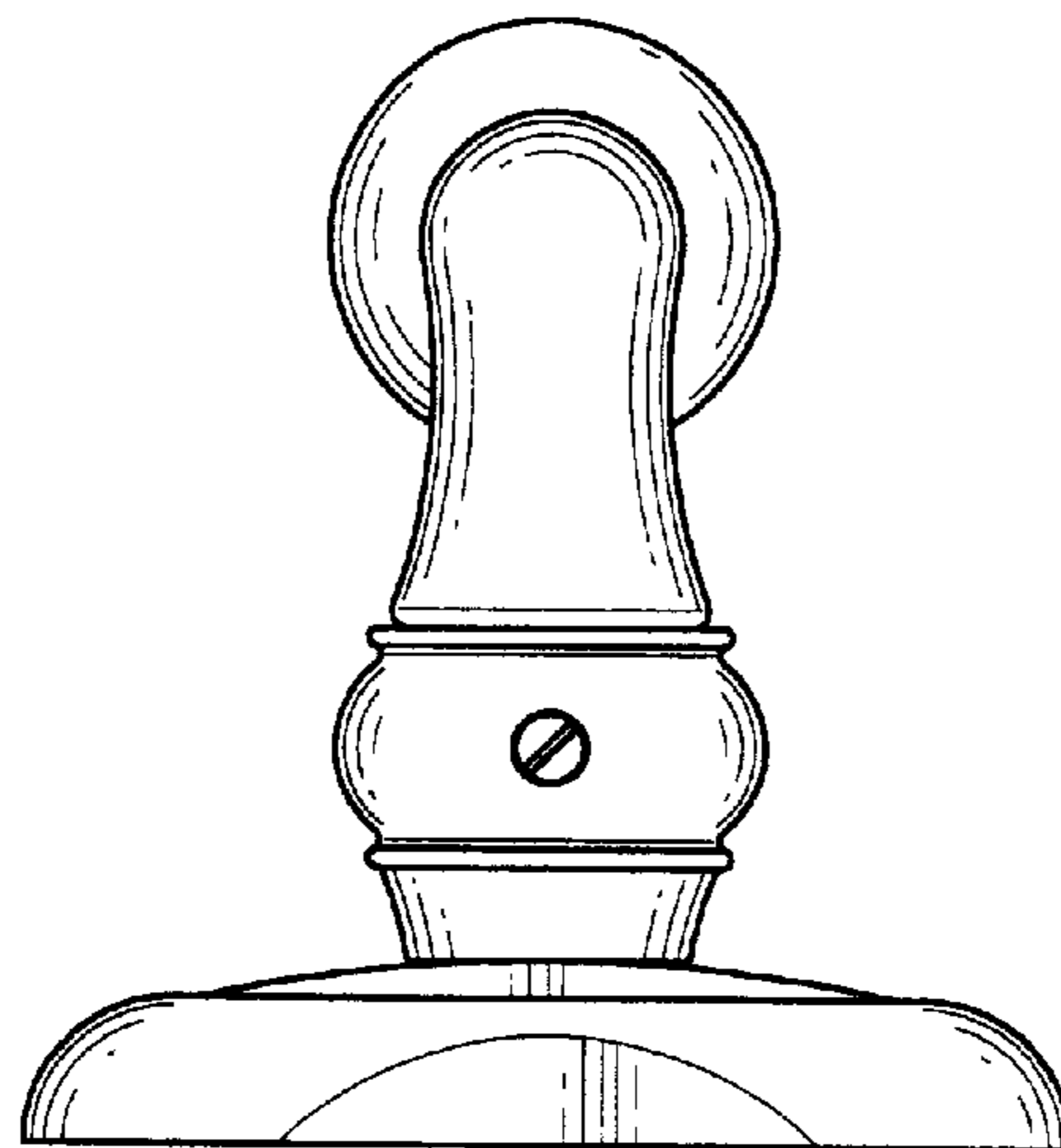


FIG. 7

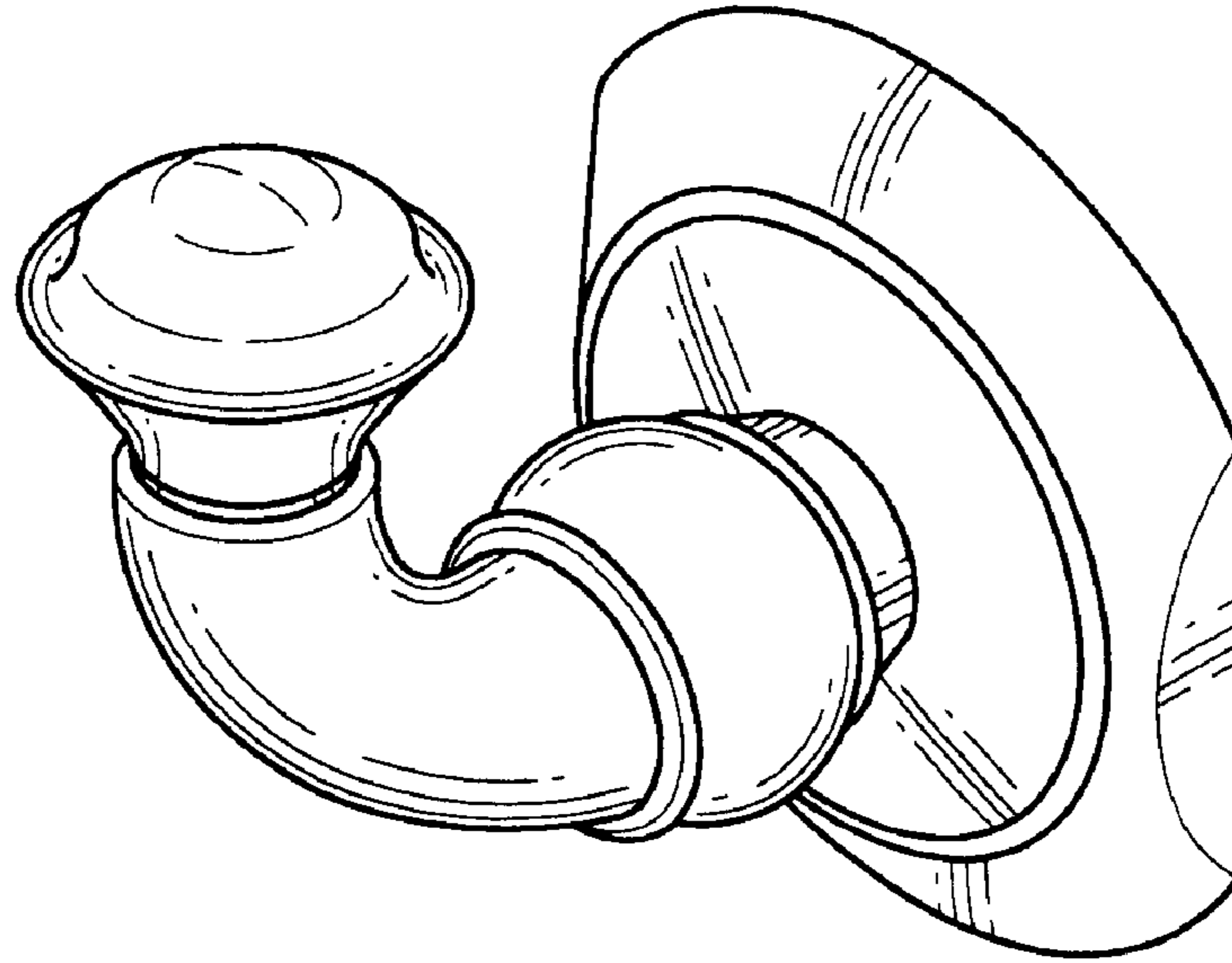


FIG.8