



US00D505265S

(12) **United States Design Patent**
Lee

(10) **Patent No.:** **US D505,265 S**
(45) **Date of Patent:** **** May 24, 2005**

(54) **DIY HAIR COLOR DYEING BRUSH**

2004/0035435 A1 * 2/2004 Glucksman et al. 132/114

(76) Inventor: **Youth Lee**, 13F, No. 232, Sec. 3,
Ba-DE Road, Taipei 105 (TW)

(**) Term: **14 Years**

(21) Appl. No.: **29/206,335**

(22) Filed: **May 29, 2004**

(51) **LOC (7) Cl.** **04-02**

(52) **U.S. Cl.** **D4/114; D4/136**

(58) **Field of Search** D4/114, 116, 134,
D4/136, 138; D28/7, 20, 25, 28, 30, 63;
15/143.1, 159.1, 186-188, 110; D24/214;
132/112-114, 116, 120, 142, 208, 212,
271, 313; 401/28, 268, 270, 278, 279, 282,
284, 290, 291; 601/136, 137, 154

(56) **References Cited**

U.S. PATENT DOCUMENTS

- 5,297,882 A * 3/1994 Kornides 132/112 X
- 5,927,290 A * 7/1999 Thirupathi 132/116
- 5,975,089 A * 11/1999 Simon 132/113
- 6,357,449 B1 * 3/2002 Chu et al. 132/112
- D466,305 S * 12/2002 Seo D4/114

OTHER PUBLICATIONS

Hong Kong Enterprise, Mar. 1987, Ying Fat Plastic Factory Ltd., Hairbrushes—Item Nos. CB1401R, CB1400R, and CB1402R, p. 297.*

* cited by examiner

Primary Examiner—Alan P. Douglas
Assistant Examiner—Lavone D. Tabor

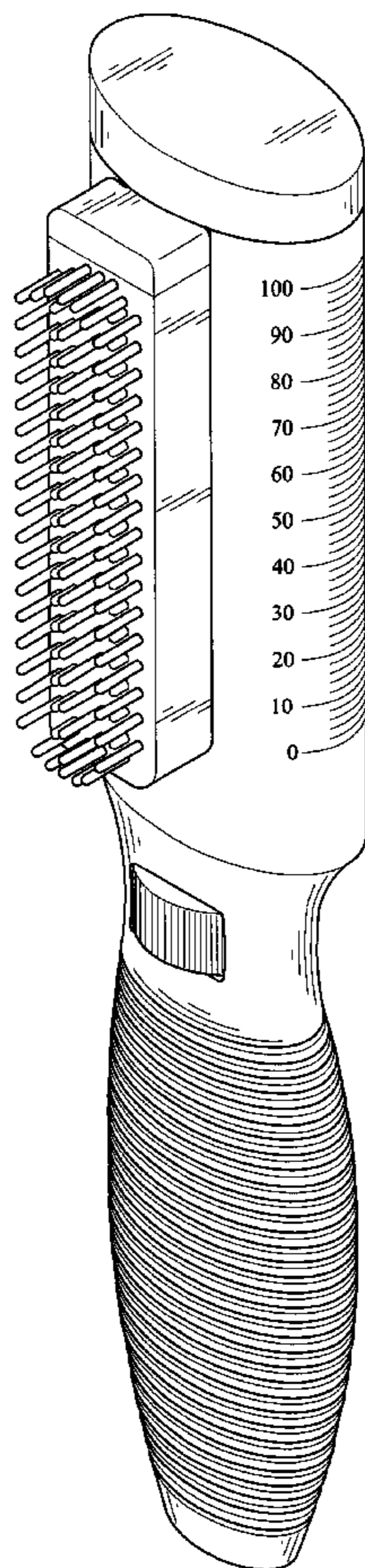
(57) **CLAIM**

The ornamental design for DIY hair color dyeing brush, as shown and described.

DESCRIPTION

FIG. 1 is a perspective view of DIY hair color dyeing brush showing my new design;
FIG. 2 is a front elevational view thereof;
FIG. 3 is a rear elevational view thereof;
FIG. 4 is a left side elevational view thereof;
FIG. 5 is a right side elevational view thereof;
FIG. 6 is a top view thereof; and,
FIG. 7 is a bottom view thereof.

1 Claim, 7 Drawing Sheets



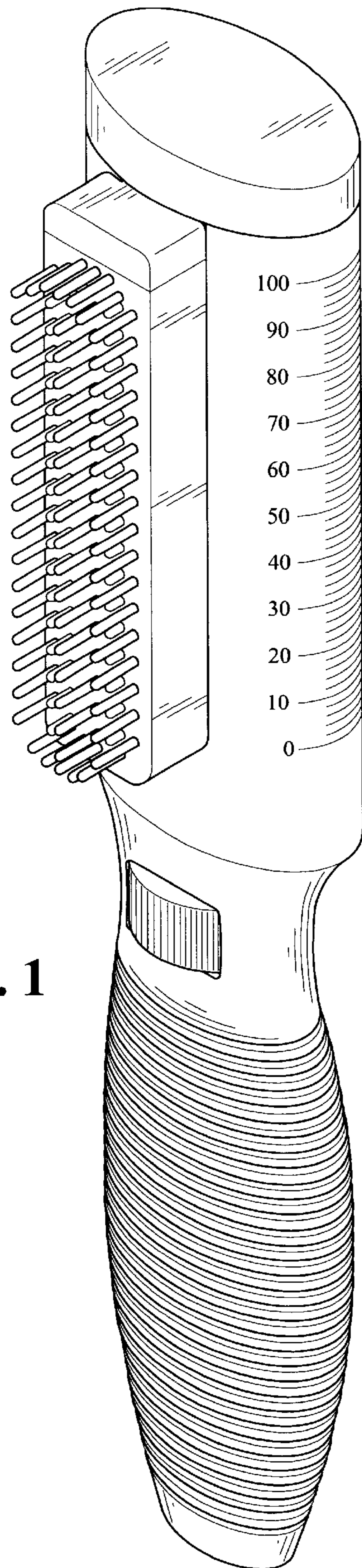


FIG. 1

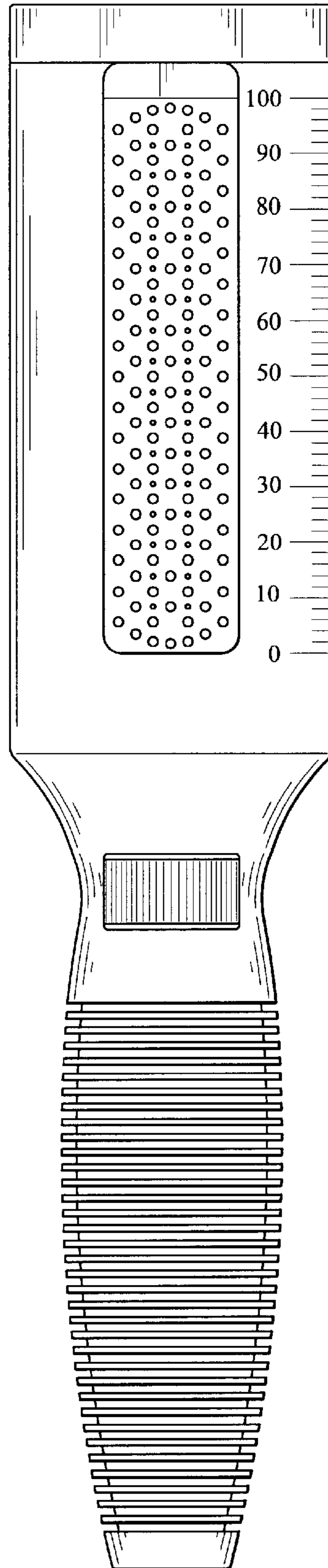


FIG. 2

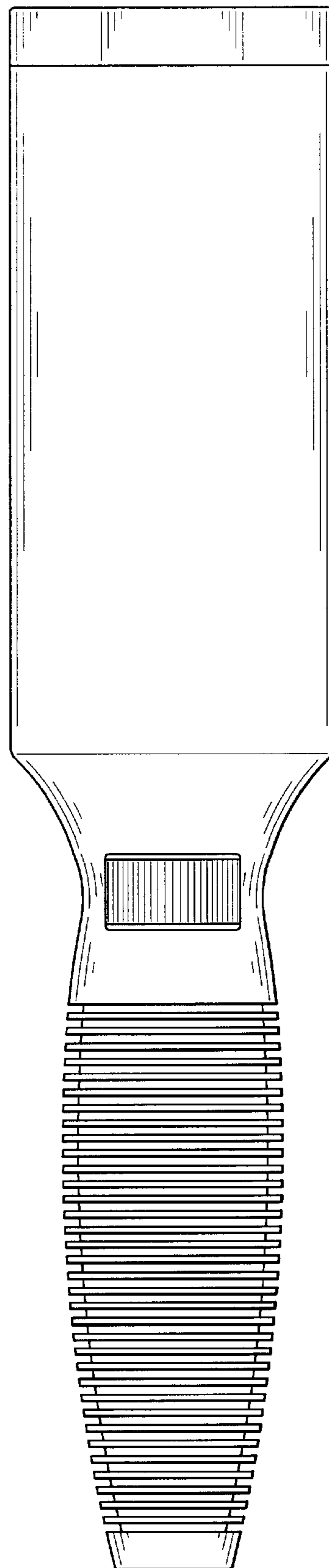


FIG. 3

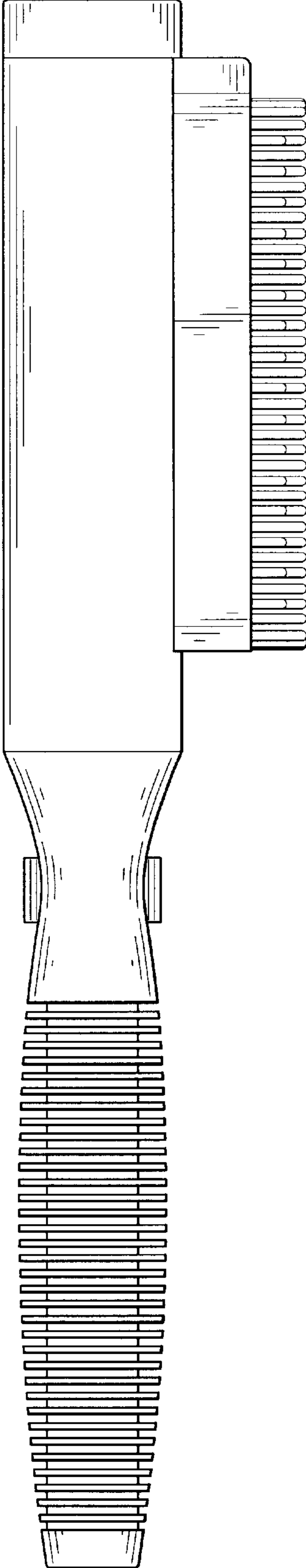


FIG. 4

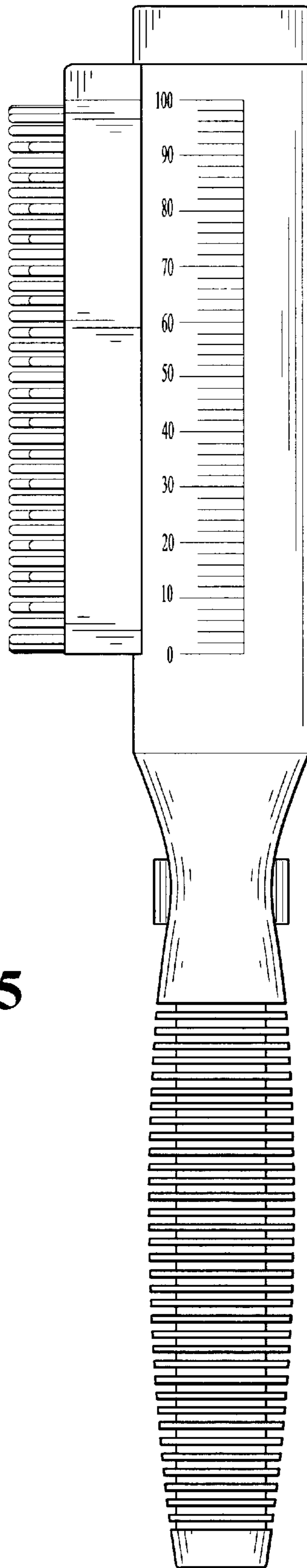


FIG. 5

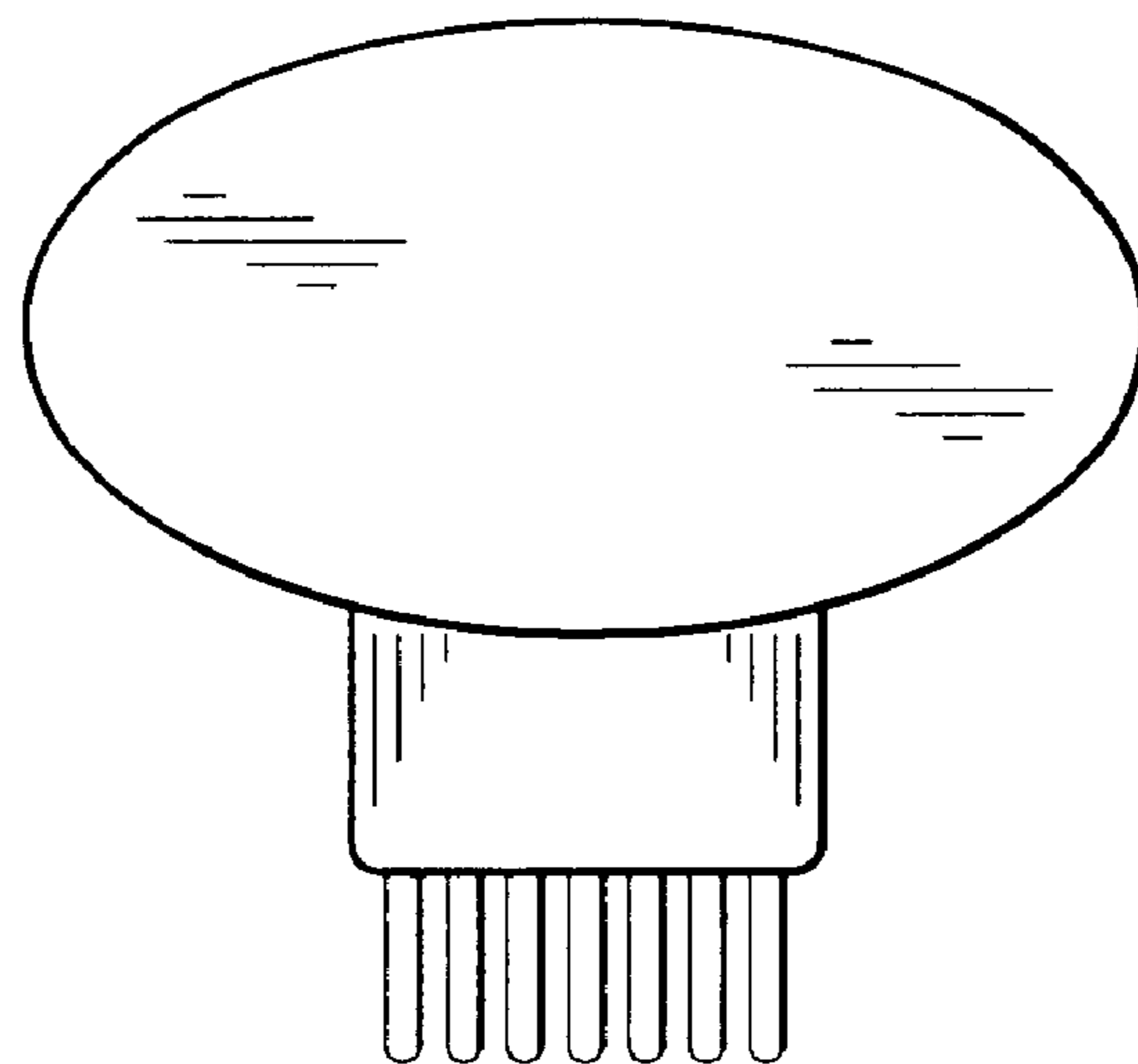


FIG. 6

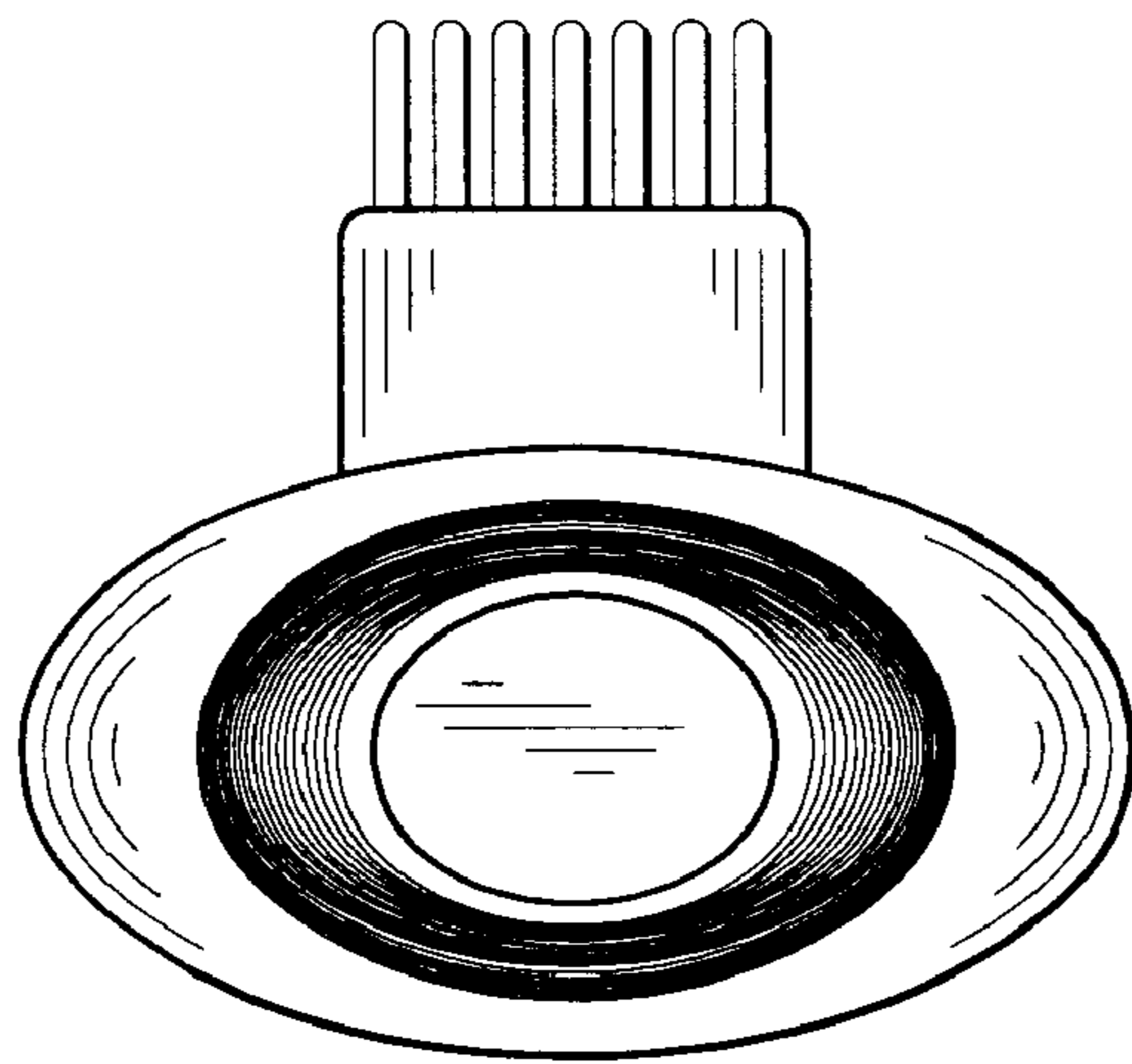


FIG. 7