

US00D505241S

(12) **United States Design Patent**
Childress

(10) **Patent No.:** **US D505,241 S**

(45) **Date of Patent:** **** May 24, 2005**

(54) **CURVED BODY OF CHEESE MADE OF OVAL-SHAPED PRECUT SLICES OF CHEESE**

D488,611 S 4/2004 Childress
D488,612 S 4/2004 Childress
D488,911 S 4/2004 Childress

(75) Inventor: **Dennis J. Childress**, Monett, MO (US)

(73) Assignee: **Schreiber Foods, Inc.**, Green Bay, WI (US)

(**) Term: **14 Years**

(21) Appl. No.: **29/200,599**

(22) Filed: **Mar. 1, 2004**

Related U.S. Application Data

(63) Continuation-in-part of application No. 29/182,184, filed on May 21, 2003, now Pat. No. Des. 496,520.

(51) **LOC (7) Cl.** **01-01**

(52) **U.S. Cl.** **D1/121; D1/199**

(58) **Field of Search** D1/121, 127-130; 426/130, 115, 144, 106, 129; 206/449, 499, 815, 555; 425/224; D21/386, 390

(56) **References Cited**

U.S. PATENT DOCUMENTS

2,643,414	A	6/1953	Bolton	
2,907,109	A	* 10/1959	John	425/224
3,410,691	A	11/1968	Stanley	
3,410,698	A	11/1968	Sosin	
D227,352	S	* 6/1973	Mong et al.	D9/713
4,046,923	A	9/1977	Meng et al.	
4,278,693	A	7/1981	Dingethal et al.	
4,427,705	A	1/1984	Wyslotsky et al.	
4,866,911	A	9/1989	Grindrod et al.	
D408,614	S	* 4/1999	Bailey	D1/199
5,945,145	A	8/1999	Narsutis et al.	
6,299,919	B1	* 10/2001	Knaus et al.	426/115

OTHER PUBLICATIONS

A picture of an elongated body of cheese comprising offset ribbons of cheese, undated.

Pending U.S. Appl. No. 10/443,374.

Pending U.S. Appl. No. 29/182,184.

Pending U.S. Appl. No. 29/182,186.

Pending U.S. Appl. No. 29/200,600.

Pending U.S. Appl. No. 29/200,602.

Pending U.S. Appl. No. 29/200,612.

Pending U.S. Appl. No. 29/200,601.

* cited by examiner

Primary Examiner—Pamela Burgess

(74) *Attorney, Agent, or Firm*—Brinks Hofer Gilson & Lione

(57) **CLAIM**

The ornamental design for a curved body of cheese made of oval-shaped precut slices of cheese, as shown and described.

DESCRIPTION

FIG. 1 is a perspective view of a curved body of cheese made of oval-shaped precut slices of cheese showing my new design, the broken away area indicating indeterminate height of the stack such that the stack may contain any number of slices of cheese;

FIG. 2 is a front elevational view thereof;

FIG. 3 is a first side elevational view thereof;

FIG. 4 is a rear elevational view thereof;

FIG. 5 is a second side elevational view thereof;

FIG. 6 is a top plan view thereof; and,

FIG. 7 is a bottom plan view thereof.

1 Claim, 3 Drawing Sheets

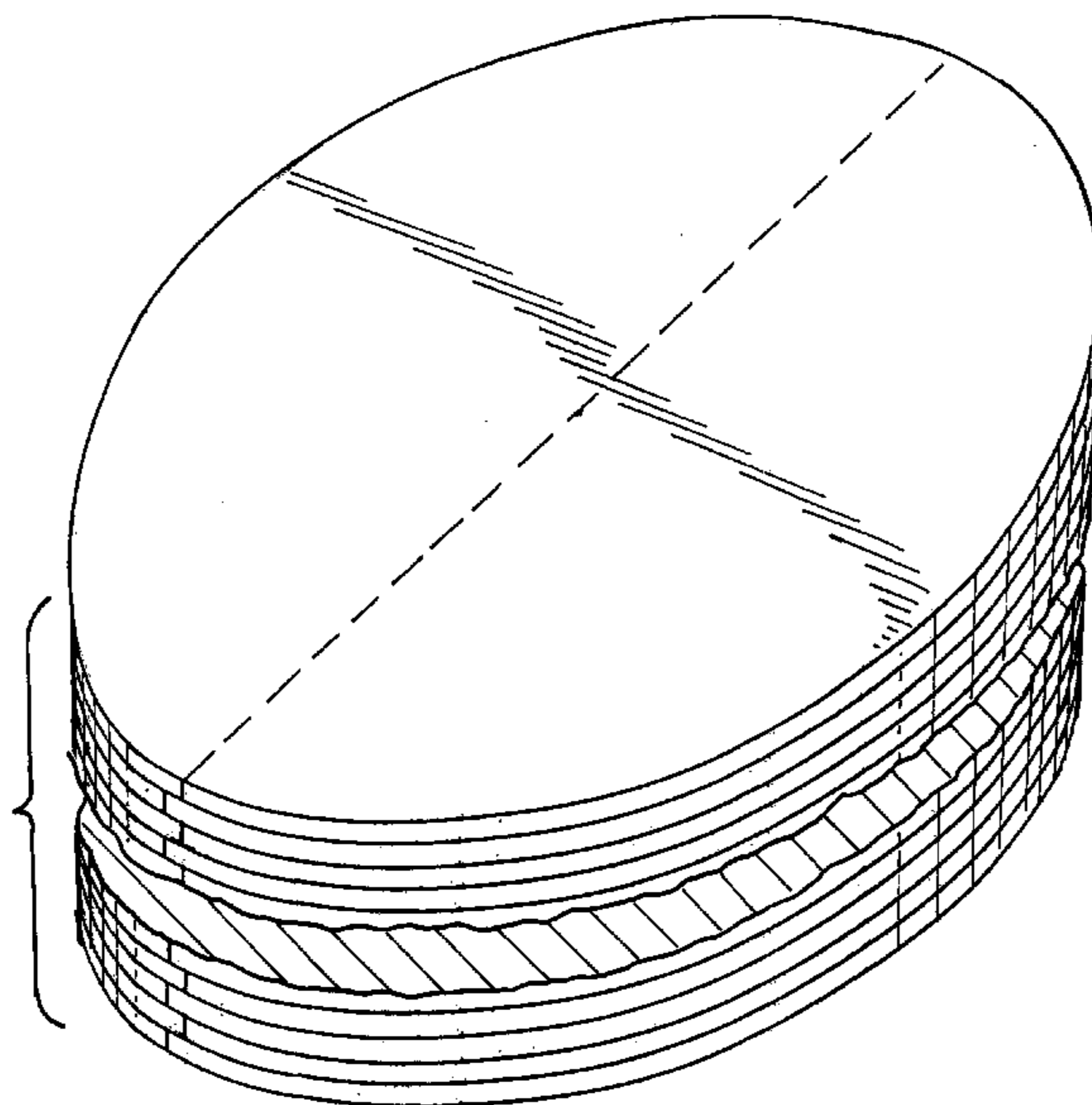


FIG. 1

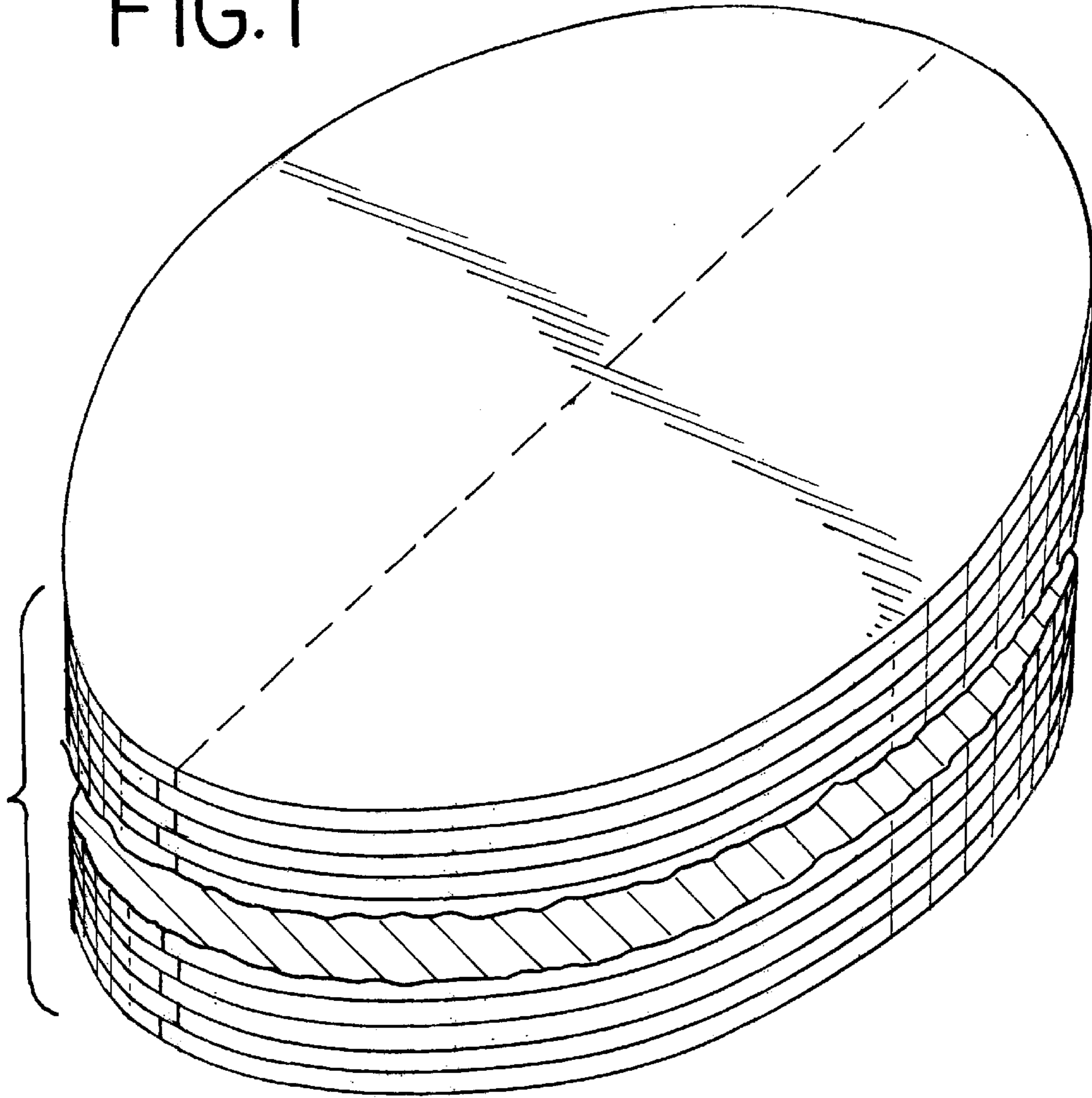


FIG. 2

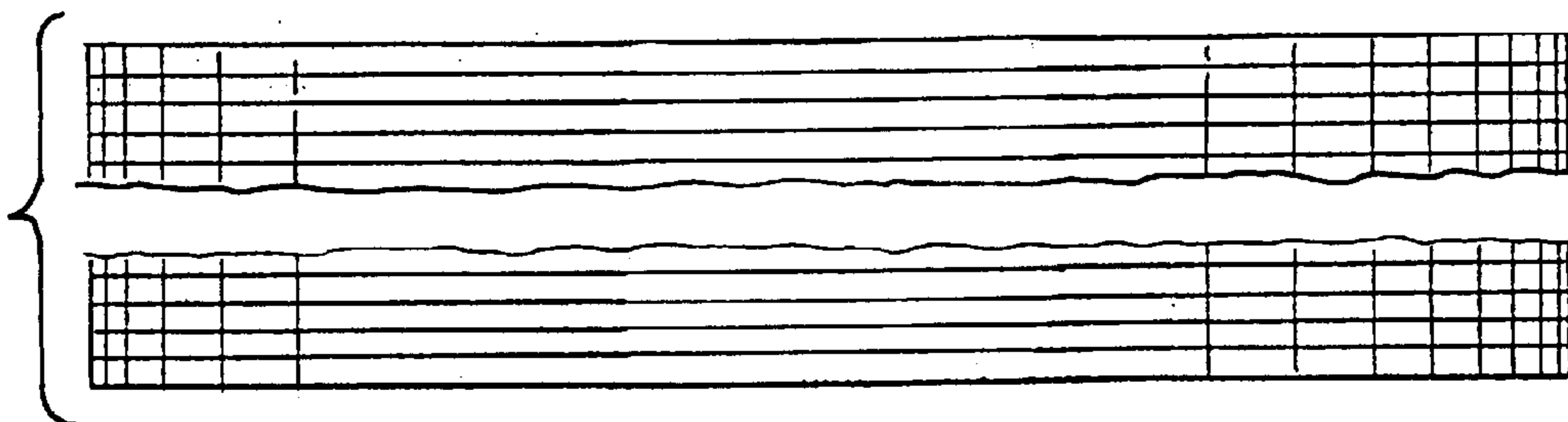


FIG.3

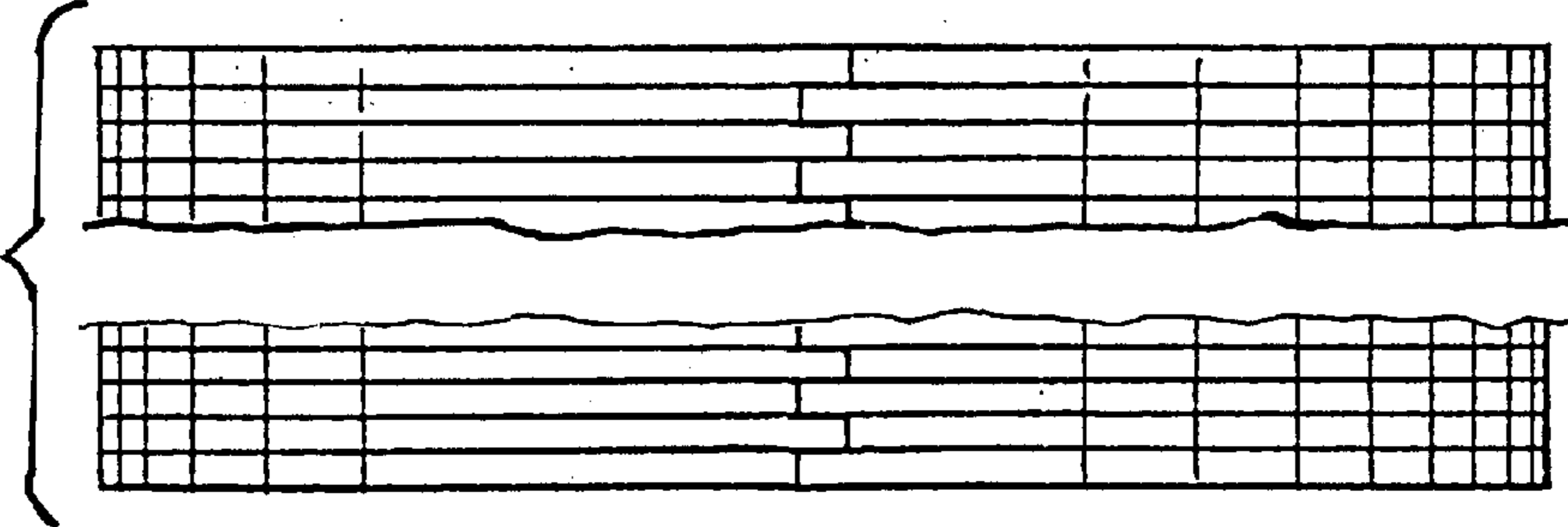


FIG.4

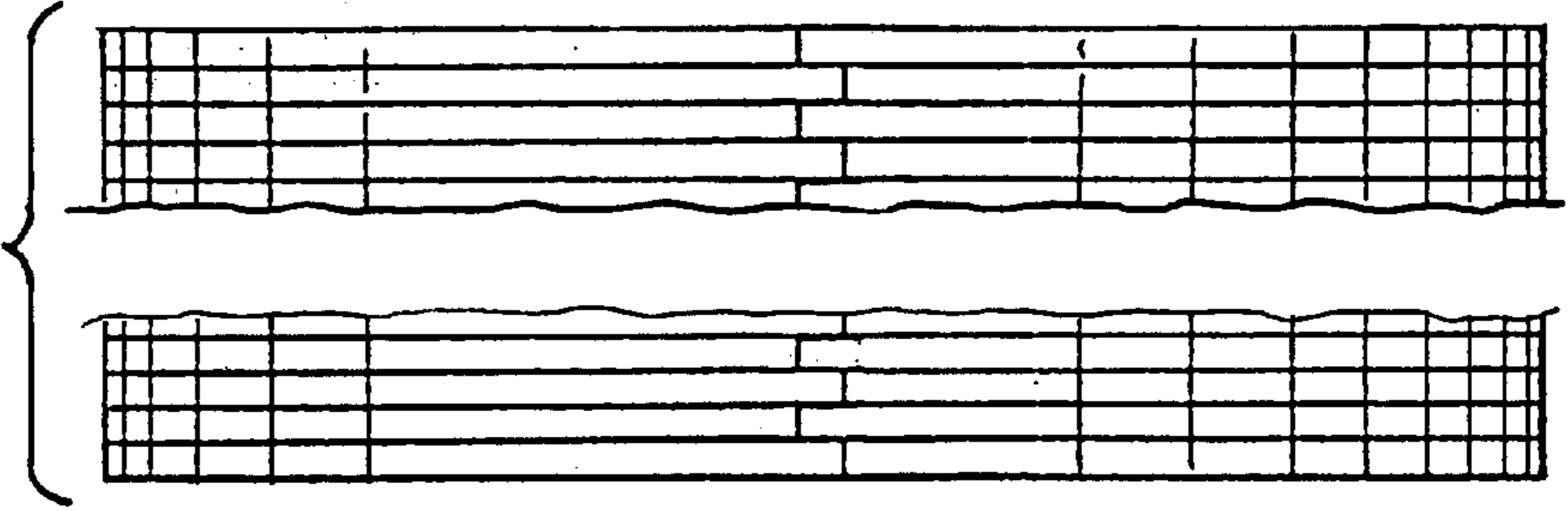


FIG.5

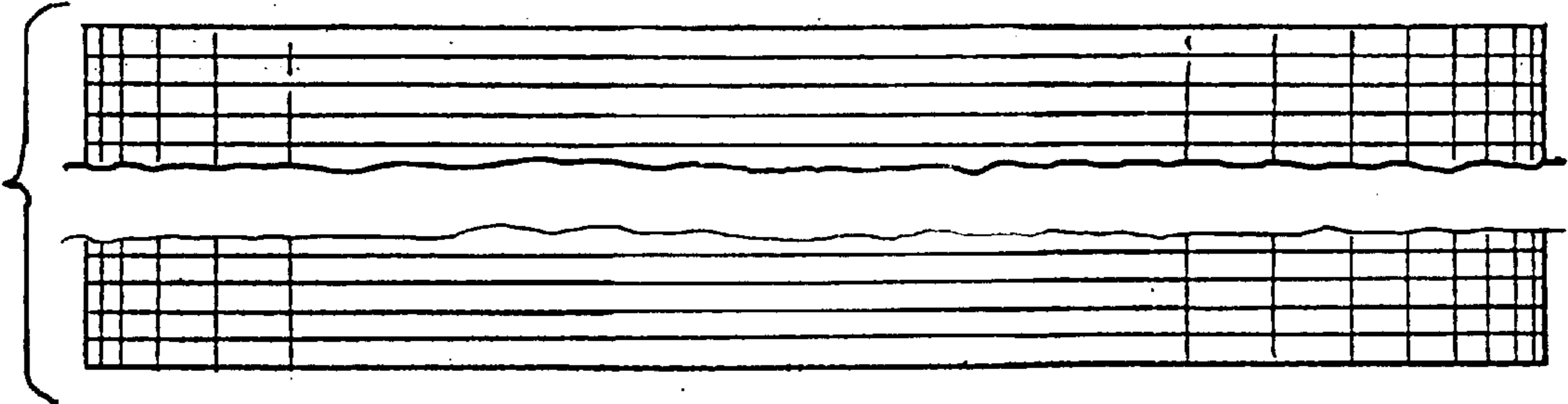


FIG.6

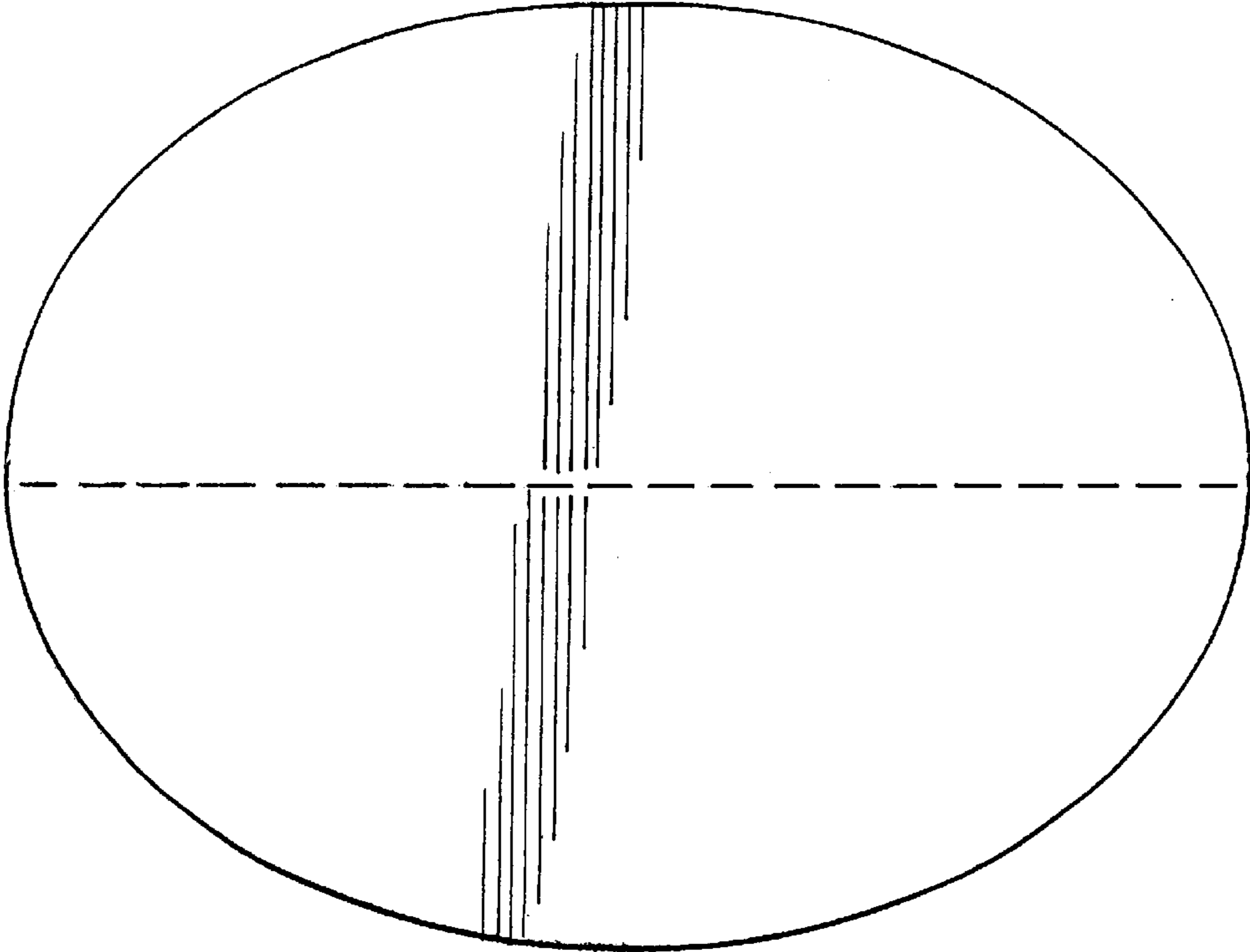


FIG.7

