

US00D505239S

(12) **United States Design Patent** (10) **Patent No.:** **US D505,239 S**  
**Green et al.** (45) **Date of Patent:** **\*\* May 17, 2005**

(54) **ENCLOSURE FOR LIFT CONTROL**

D376,244 S 12/1996 Feider et al.  
D384,478 S 9/1997 Prehn et al.  
D395,478 S 6/1998 Santarsiero  
D472,359 S 3/2003 Green et al.

(75) Inventors: **Steven D. Green**, Madison, IN (US);  
**Mike Kilhefner**, Madison, IN (US);  
**Douglas J. Brown**, Madison, IN (US)

\* cited by examiner

(73) Assignee: **Delaware Capital Formation, Inc.**,  
Wilmington, DE (US)

*Primary Examiner*—Holly Baynham  
(74) *Attorney, Agent, or Firm*—Frost Brown Todd LLC

(\*\*) Term: **14 Years**

(57) **CLAIM**

(21) Appl. No.: **29/153,927**

The ornamental design for an enclosure for lift control, as shown and described.

(22) Filed: **Oct. 26, 2001**

**DESCRIPTION**

(51) **LOC (7) Cl.** ..... **12-05**  
(52) **U.S. Cl.** ..... **D34/35**  
(58) **Field of Search** ..... D34/35; D15/30;  
180/89.12, 89.13, 89.17; 280/43.23, 43.17;  
200/43.05

FIG. 1 is a front perspective view of the enclosure for lift control of the present invention looking at the front and left side;  
FIG. 2 is a front elevational view thereof;  
FIG. 3 is a right side elevational view thereof;  
FIG. 4 is a left side elevational view thereof;  
FIG. 5 is a top plan view thereof;  
FIG. 6 is a bottom plan view thereof; and,  
FIG. 7 is a rear elevational view thereof.

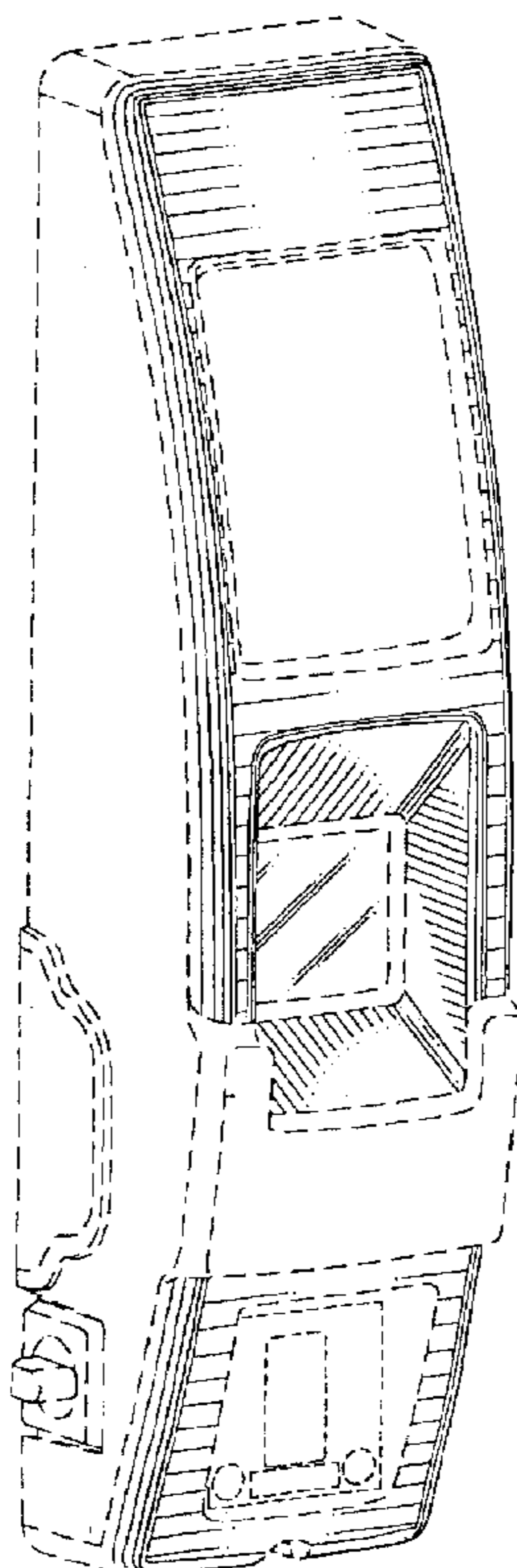
(56) **References Cited**

**U.S. PATENT DOCUMENTS**

3,180,962 A \* 4/1965 Driscoll ..... 200/302.1  
3,417,212 A \* 12/1968 Driscoll ..... 200/43.08  
D223,242 S \* 4/1972 Haynes ..... D34/35  
D235,987 S 7/1975 Mono  
D277,795 S 2/1985 Griffiths  
D359,947 S 7/1995 Greene  
D374,535 S \* 10/1996 Feider et al. .... D34/35

The broken lines immediately adjacent the shaded areas represent the bounds of the claim and all other broken lines are for illustrative purposes only. None of the broken lines form a part of the claimed design.

**1 Claim, 6 Drawing Sheets**



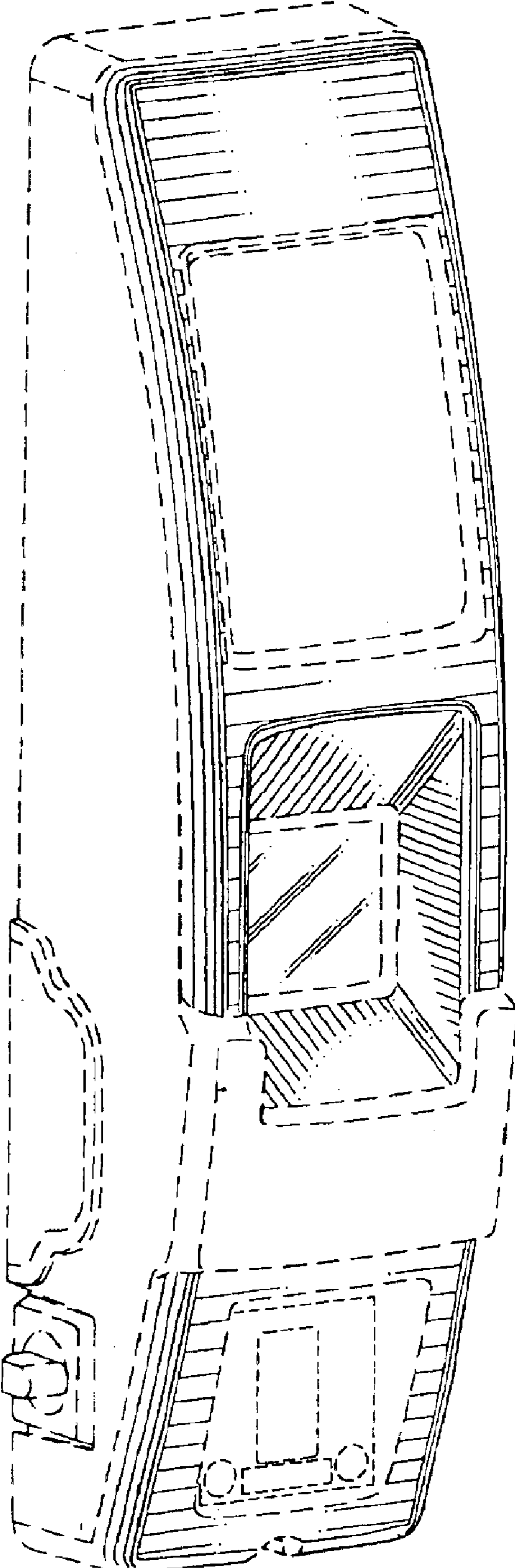


FIG. 1

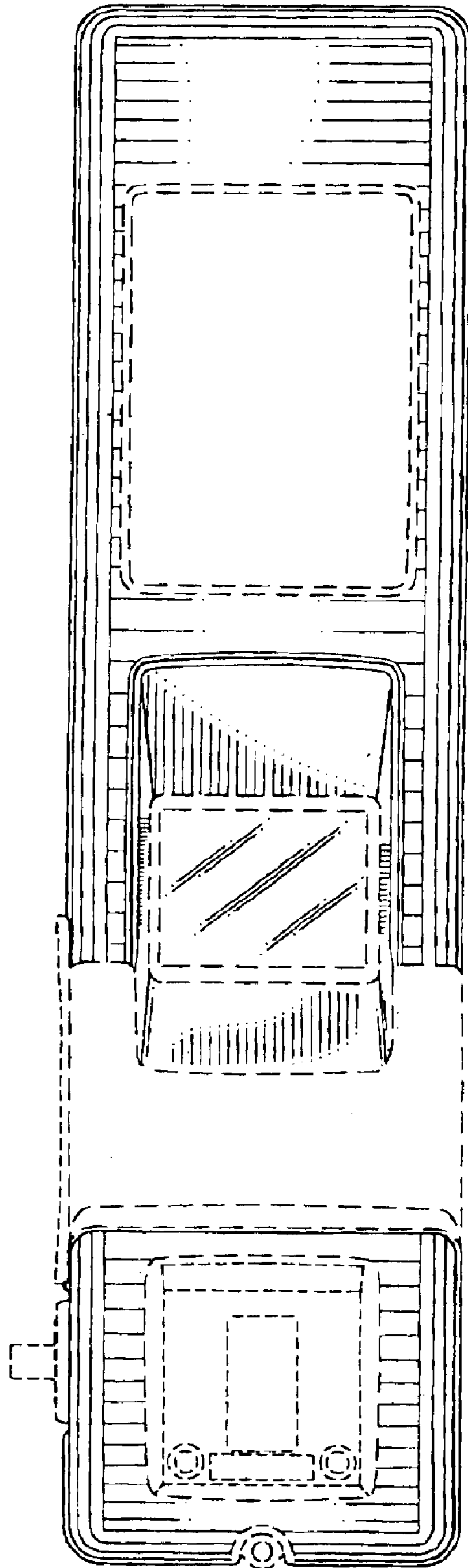


FIG. 2

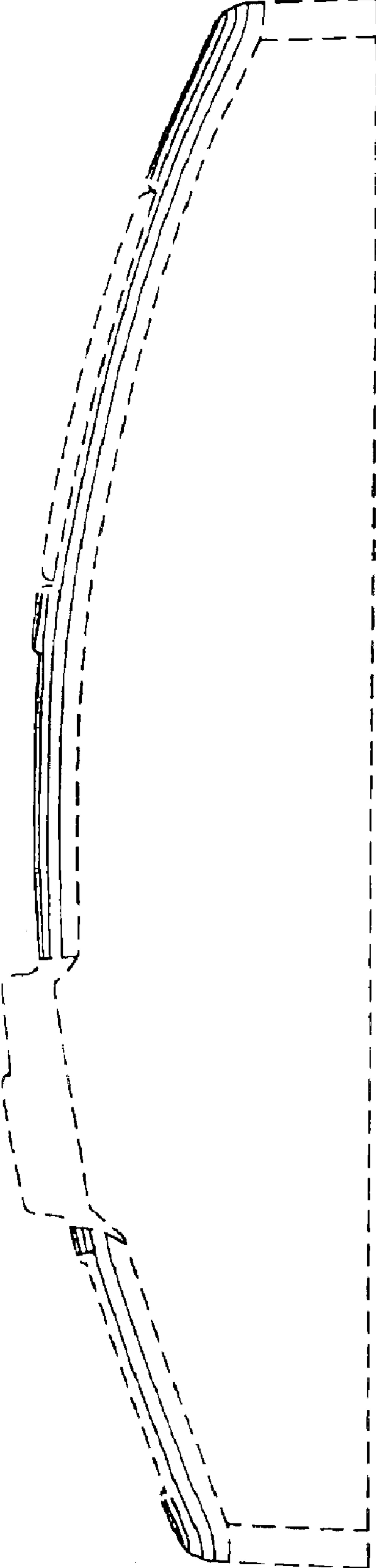


FIG. 3

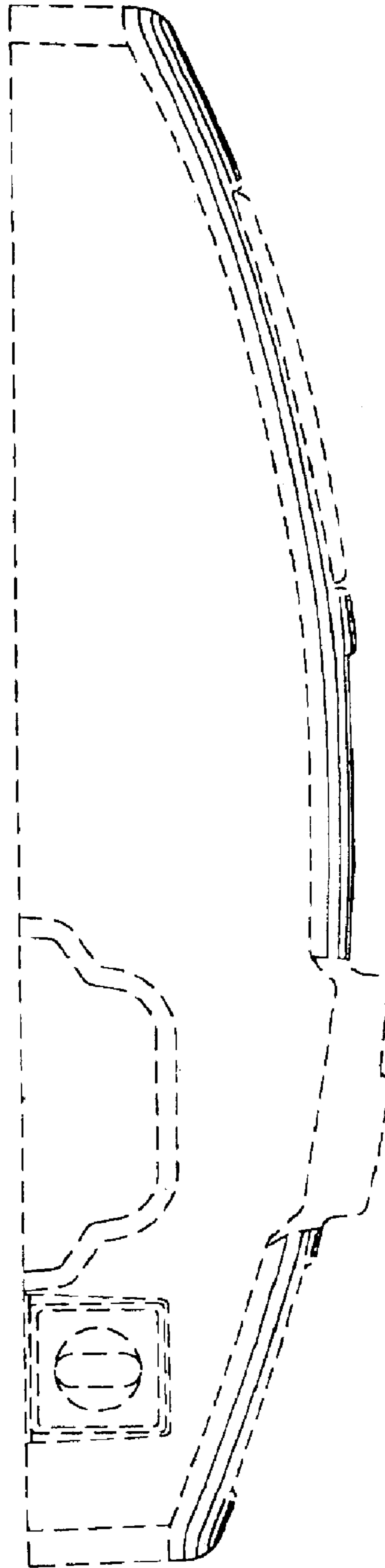


FIG. 4

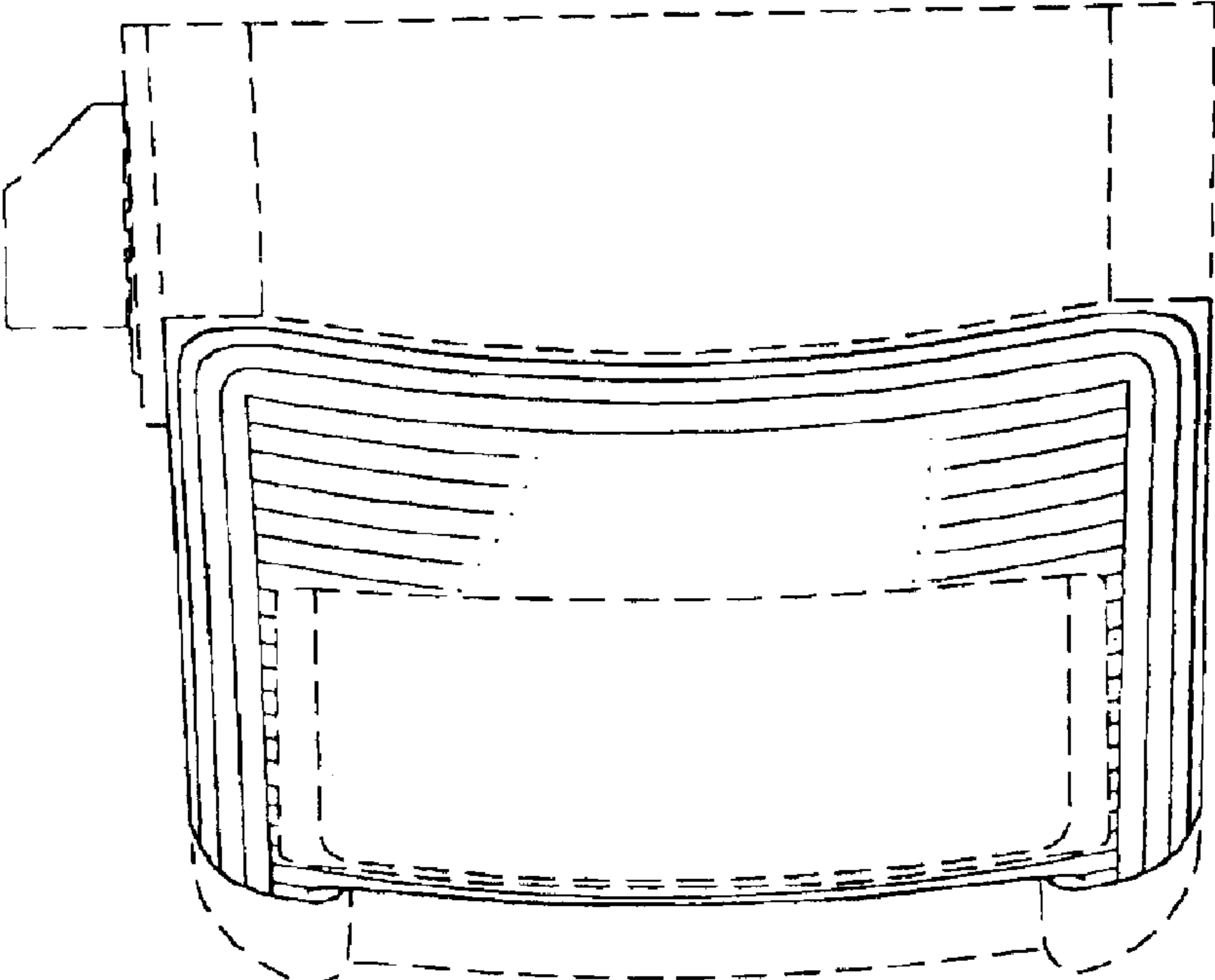


FIG. 5

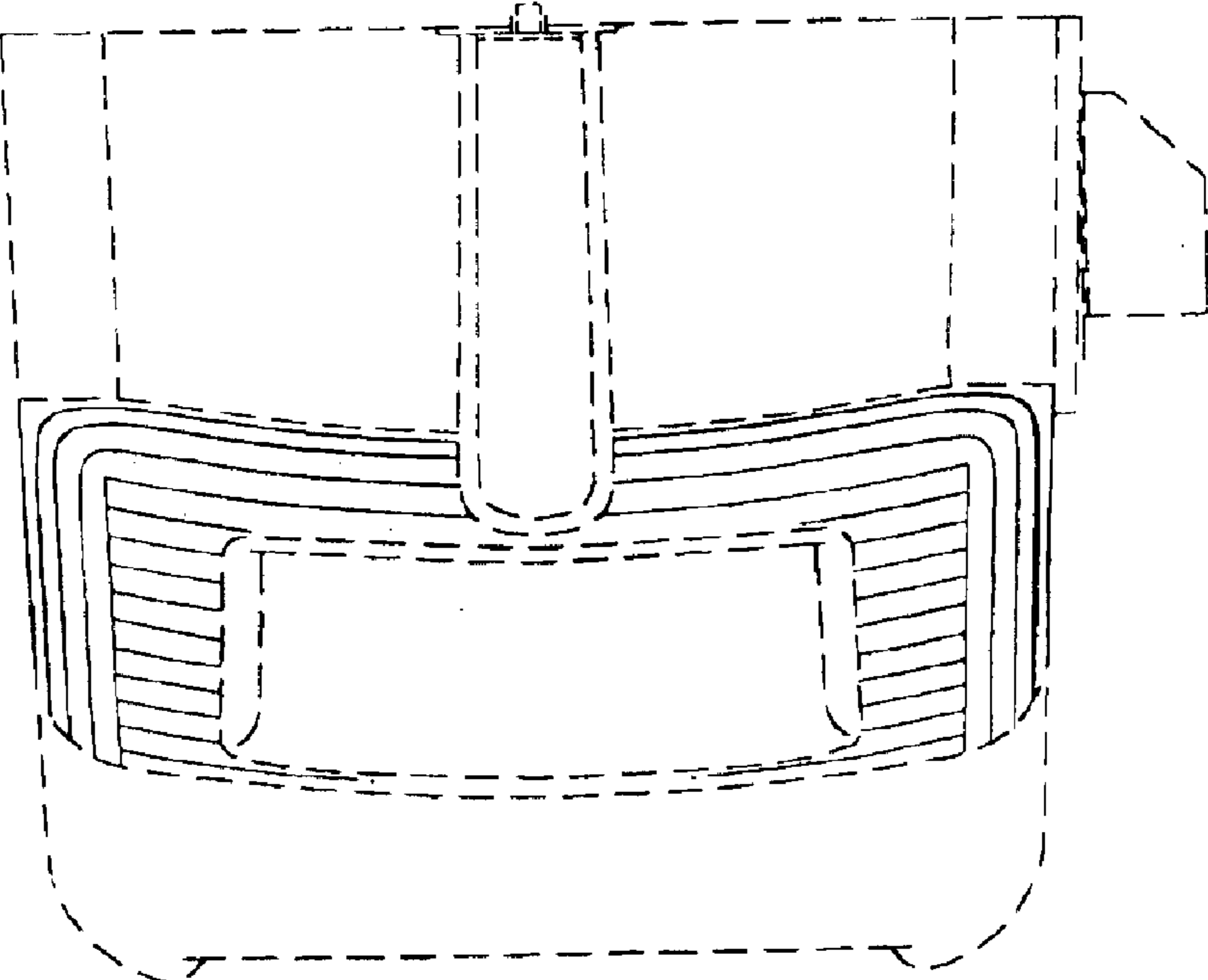


FIG. 6

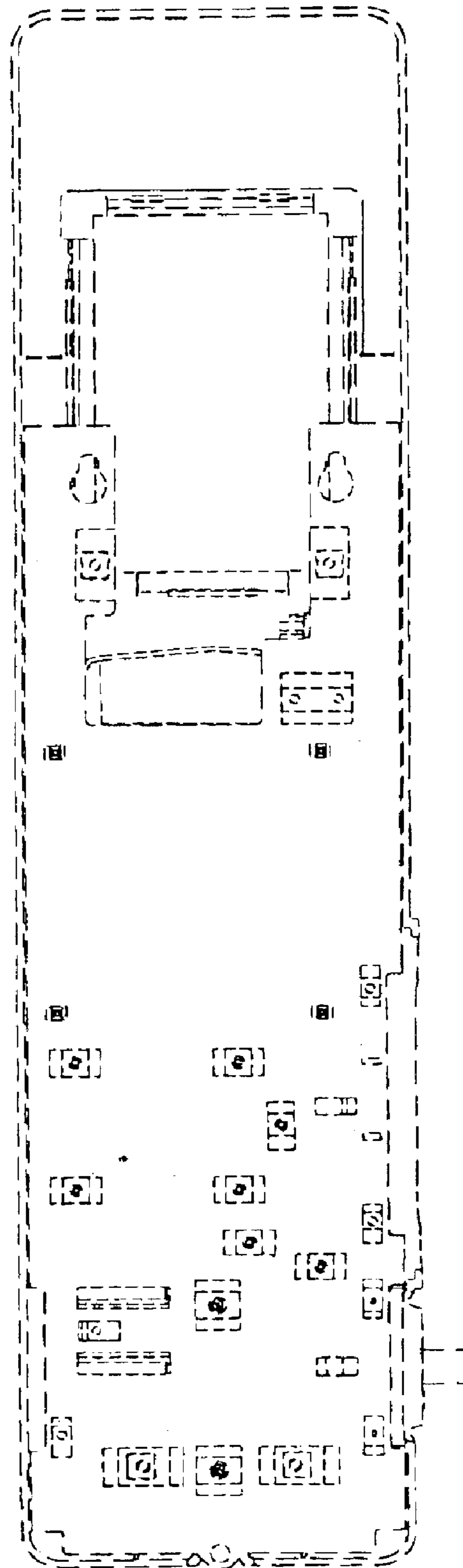


FIG. 7