



US00D505237S

(12) **United States Design Patent** (10) **Patent No.:** **US D505,237 S**
Schmidt et al. (45) **Date of Patent:** **** May 17, 2005**

(54) **MODULAR DRAWERS** D474,563 S 5/2003 Bresciani D29/109

(75) Inventors: **Duane A. Schmidt**, Newburgh, IN (US); **Allan R. Steinkuhl**, Evansville, IN (US); **Joseph L. Coleman**, Evansville, IN (US)

* cited by examiner

Primary Examiner—Holly Baynham
 (74) *Attorney, Agent, or Firm*—Stephen Krefman; Robert O. Rice; John F. Colligan

(73) Assignee: **Whirlpool Corporation**, Benton Harbor, MI (US)

(57) **CLAIM**

The ornamental design for modular drawers, as shown and described.

(**) Term: **14 Years**

DESCRIPTION

(21) Appl. No.: **29/173,442**

The characteristic feature of the ornamental design resides in the use of a pattern on the modular drawers.

(22) Filed: **Dec. 30, 2002**

FIG. 1 is a left front perspective view of the design of the modular drawers;

(51) **LOC (7) Cl.** **12-02**

(52) **U.S. Cl.** **D34/27**

FIG. 2 is a front elevational view thereof. The ornamental design is not visible in a rear view, top plan view or bottom view; and,

(58) **Field of Search** D34/12-27; D14/189, D14/193; D6/432, 396, 397, 441, 443, 446, 448, 510; D29/109

FIG. 3 is an enlarged view of the pattern on the modular drawers of the embodiment as shown in FIG. 1.

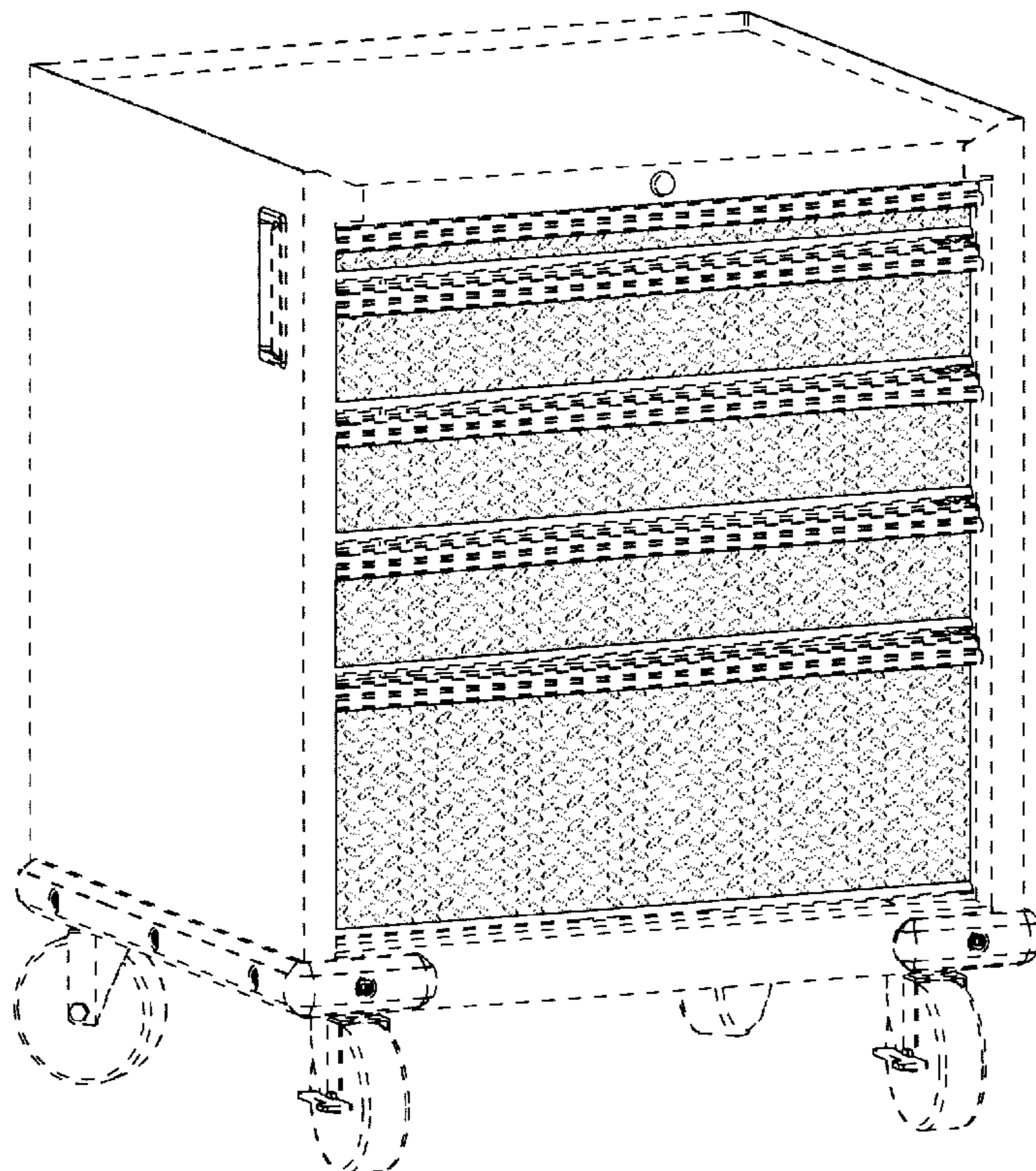
(56) **References Cited**

U.S. PATENT DOCUMENTS

D95,158 S	4/1935	Surerus	
D409,613 S	* 5/1999	McGee et al.	D14/189
D413,457 S	* 9/1999	Verbeek et al.	D6/445
D419,333 S	* 1/2000	Verbeek et al.	D6/445
D471,377 S	3/2003	Gledhill et al.	D6/432

Those portions of modular drawers in broken lines, specifically the surfaces of the modular drawers at the top and bottom edges of the drawers and surfaces extending back from the drawers including other surfaces of the modular drawers are for illustrative purposes only and are not part of the claimed invention.

1 Claim, 2 Drawing Sheets



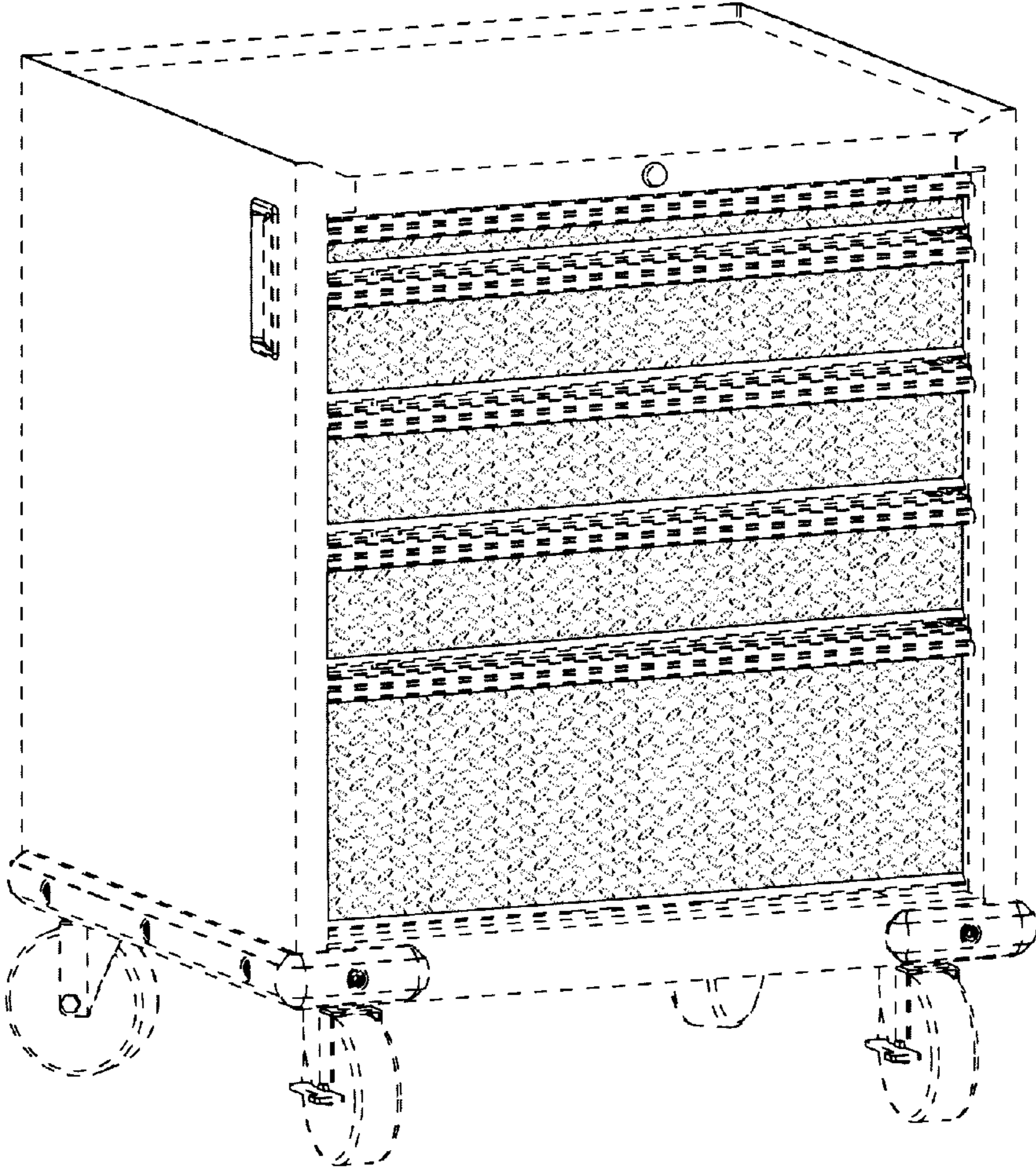


Fig. 1

Fig. 2

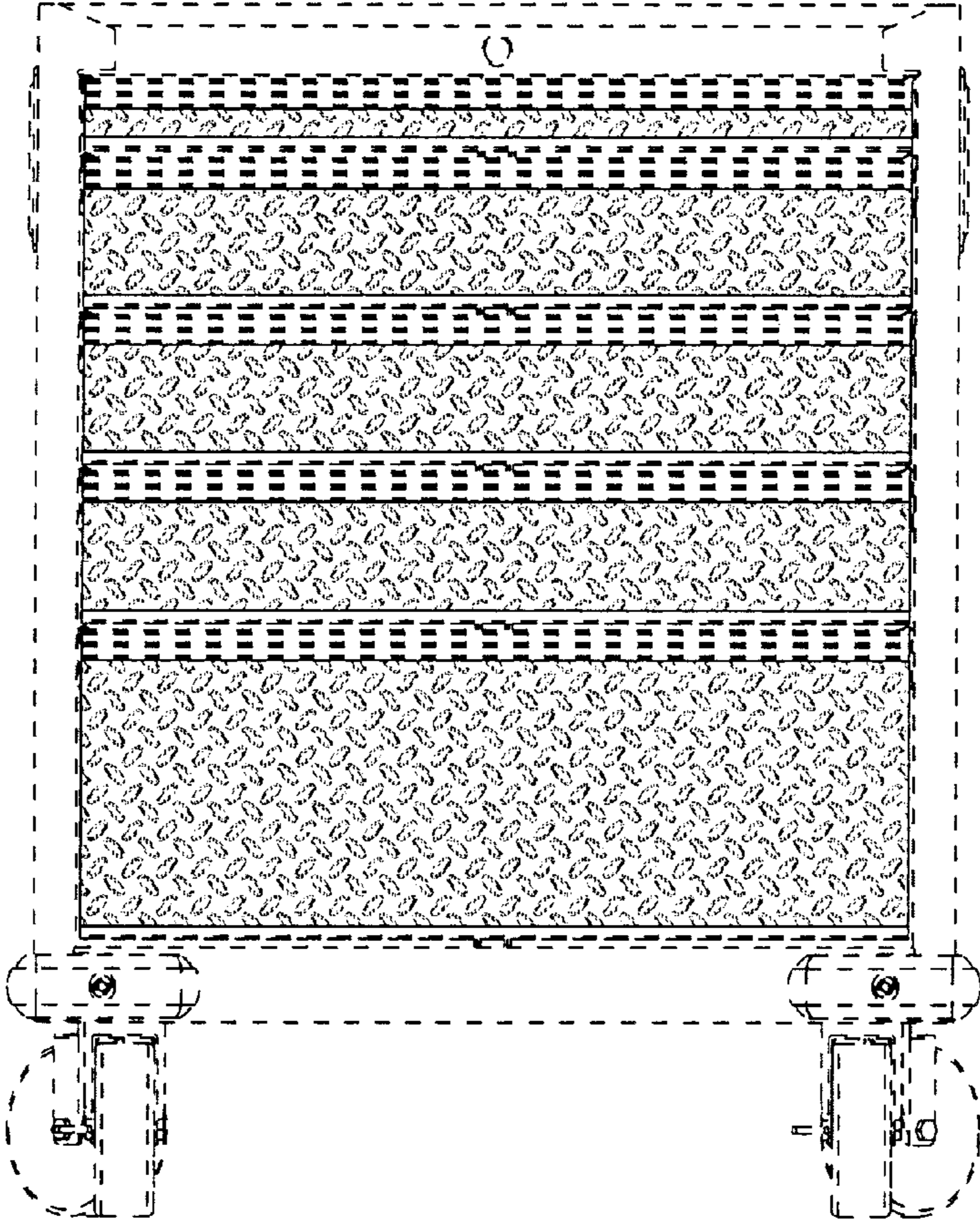


Fig. 3

