

US00D505235S

(12) **United States Design Patent**
Libman et al.

(10) **Patent No.:** **US D505,235 S**
(45) **Date of Patent:** **** May 17, 2005**

(54) **MOP**

(75) Inventors: **Robert J. Libman**, Champaign, IL (US); **Enzo Berti**, Dolo/Venice (IT)

(73) Assignee: **The Libman Company**, Arcola, IL (US)

(**) Term: **14 Years**

(21) Appl. No.: **29/182,259**

(22) Filed: **May 22, 2003**

(51) **LOC (7) Cl.** **04-01**

(52) **U.S. Cl.** **D32/44**

(58) **Field of Search** D32/44; 15/116.1, 15/116.2, 119.1, 119.2

(56) **References Cited**

U.S. PATENT DOCUMENTS

3,483,583	A	*	12/1969	Baumgartner	15/119.2
D336,699	S	*	6/1993	Murphy	D32/44
D351,267	S		10/1994	Libman		
D401,702	S		11/1998	Berti		
D446,897	S	*	8/2001	Cann	D32/44

OTHER PUBLICATIONS

Home Trends, Mar. 1996, Fuller Brush Sponge Mop—Item No. SFB118, p. 113.*

* cited by examiner

Primary Examiner—Alan P. Douglas
Assistant Examiner—Lavone D. Tabor
(74) *Attorney, Agent, or Firm*—Banner & Witcoff, Ltd.

(57) **CLAIM**

The ornamental design for a mop, as shown and described.

DESCRIPTION

FIG. 1 is a perspective view of a mop in accordance with the present invention;

FIG. 2 is a side view of the mop seen in FIG. 1; the opposite side view being a mirror image thereof;

FIG. 3 is a front view of the mop.

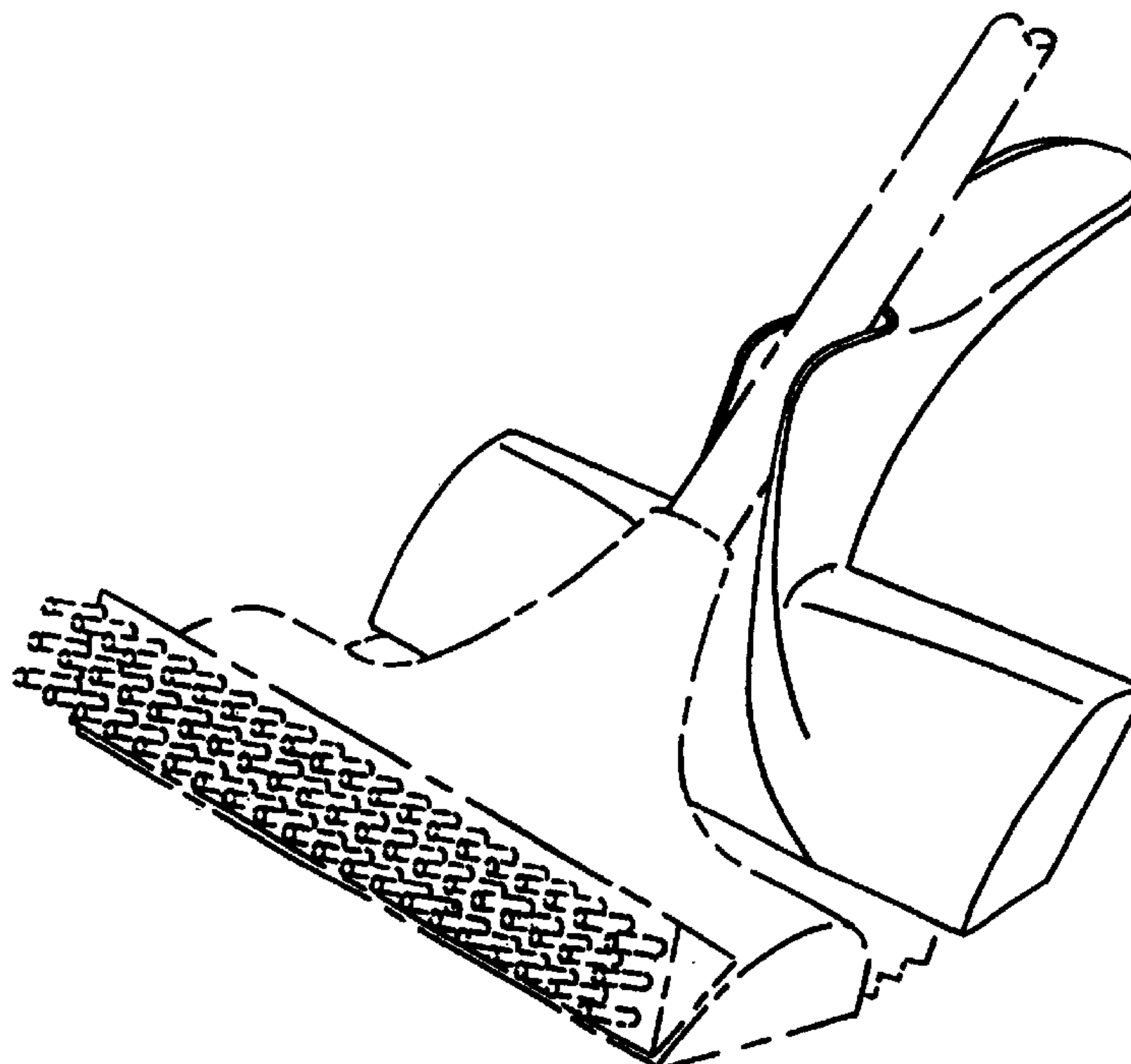
FIG. 4 is another perspective view of the mop as seen in FIG. 1, with the unclaimed portions shown in FIG. 1 removed to show the underlying detail;

FIG. 5 is another view of the mop seen in FIG. 2, with the unclaimed portions shown in FIG. 2 removed to show the underlying detail; and

FIG. 6 is another view of the mop as seen in FIG. 3, with the unclaimed portions shown in FIG. 3 removed to show the underlying detail.

The broken lines are for environmental purposes, and do not form part of the claimed design.

1 Claim, 4 Drawing Sheets



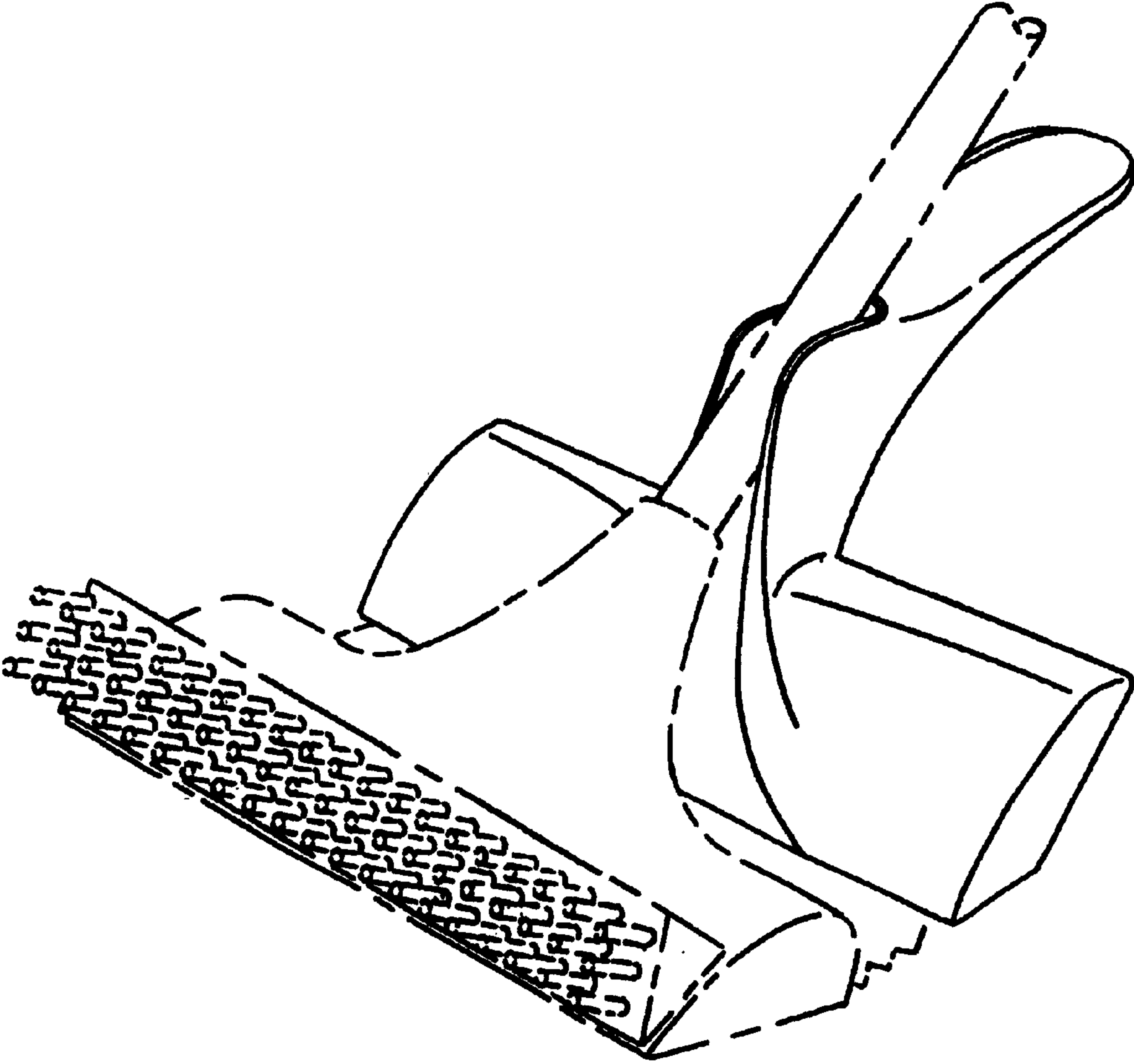


FIG. 1

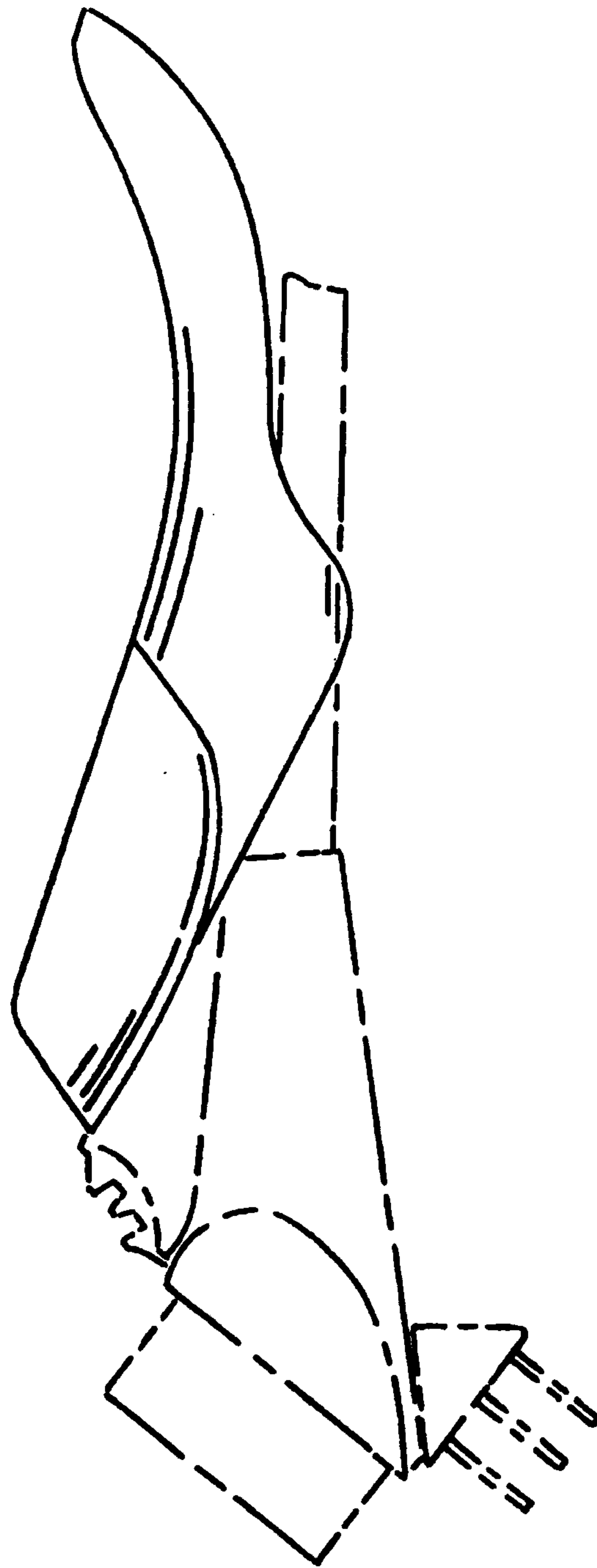


FIG. 2

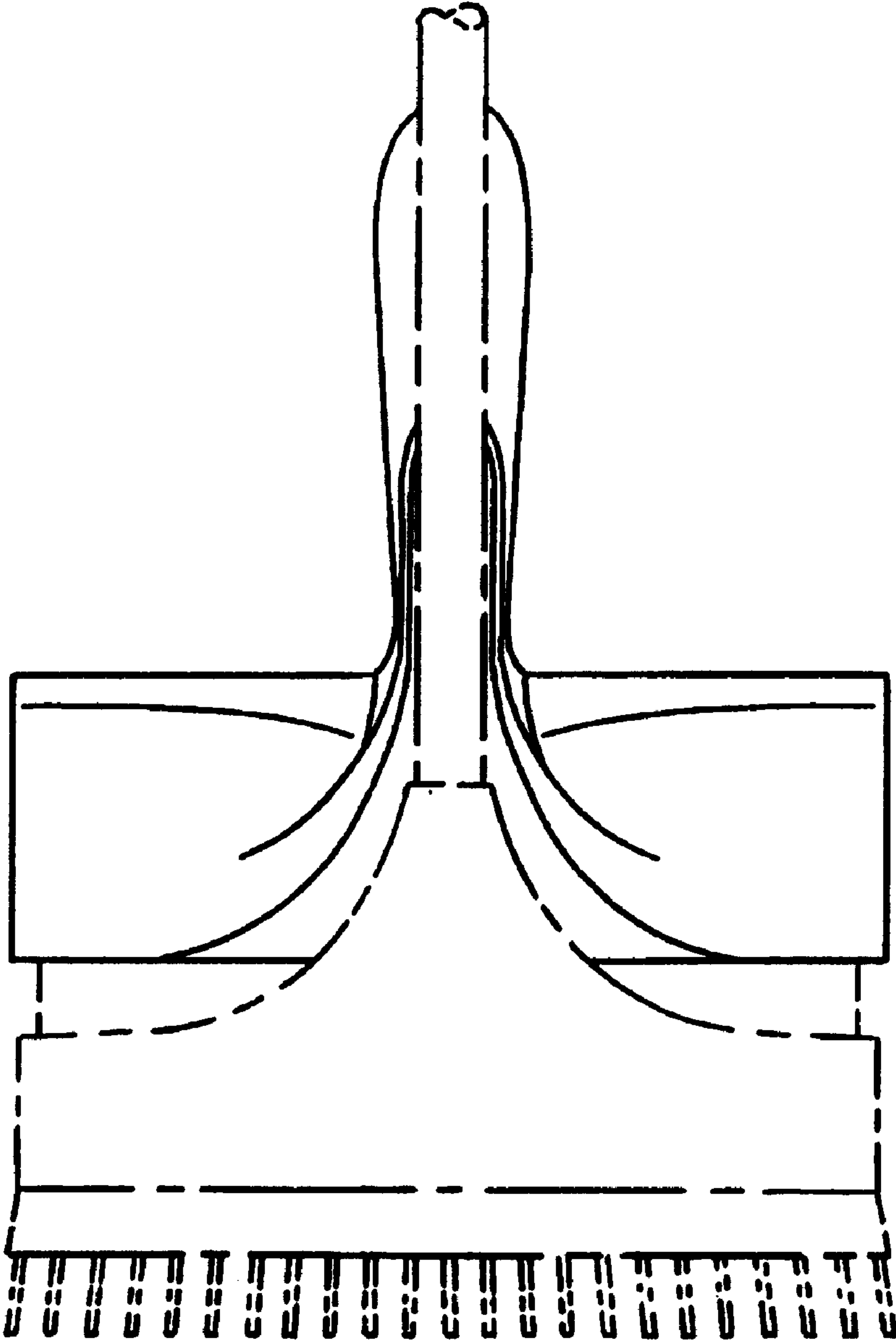


FIG. 3

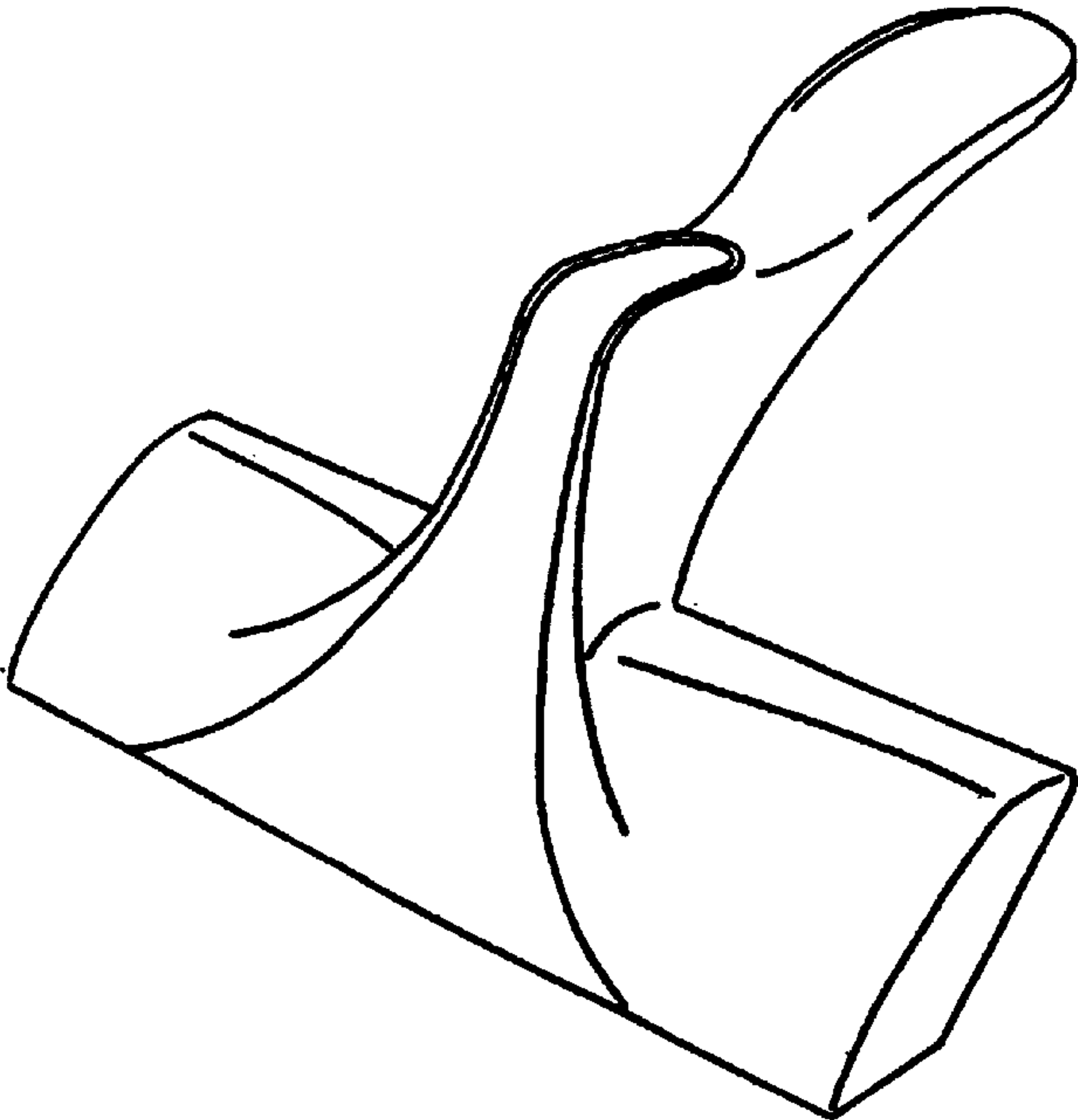


FIG. 4

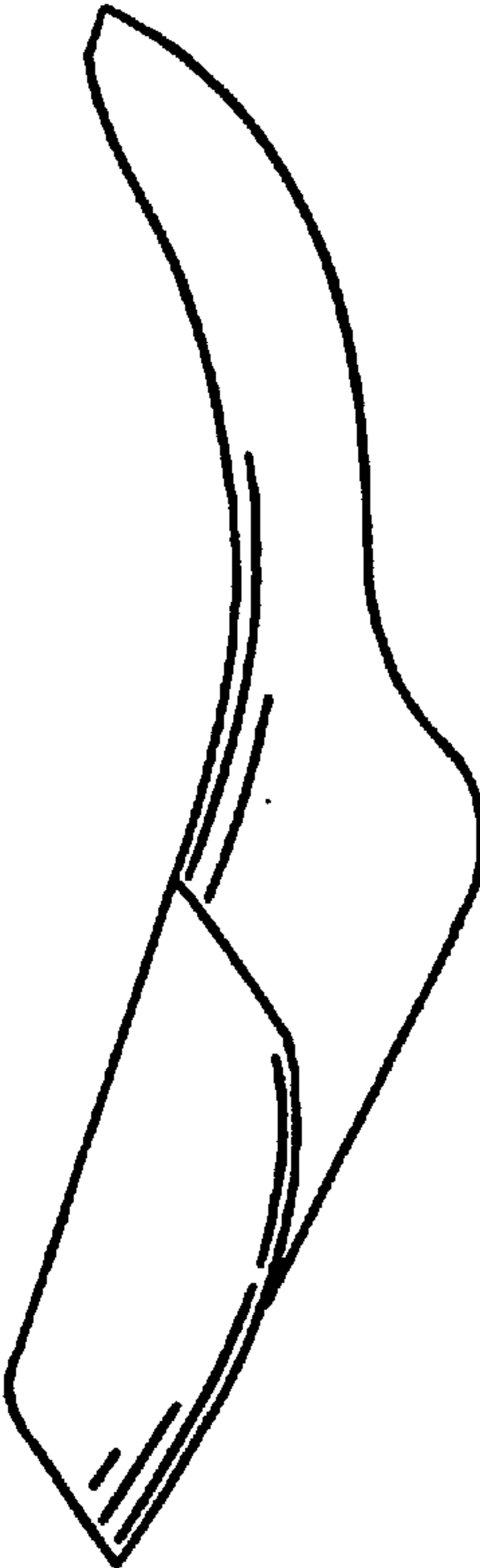


FIG. 5

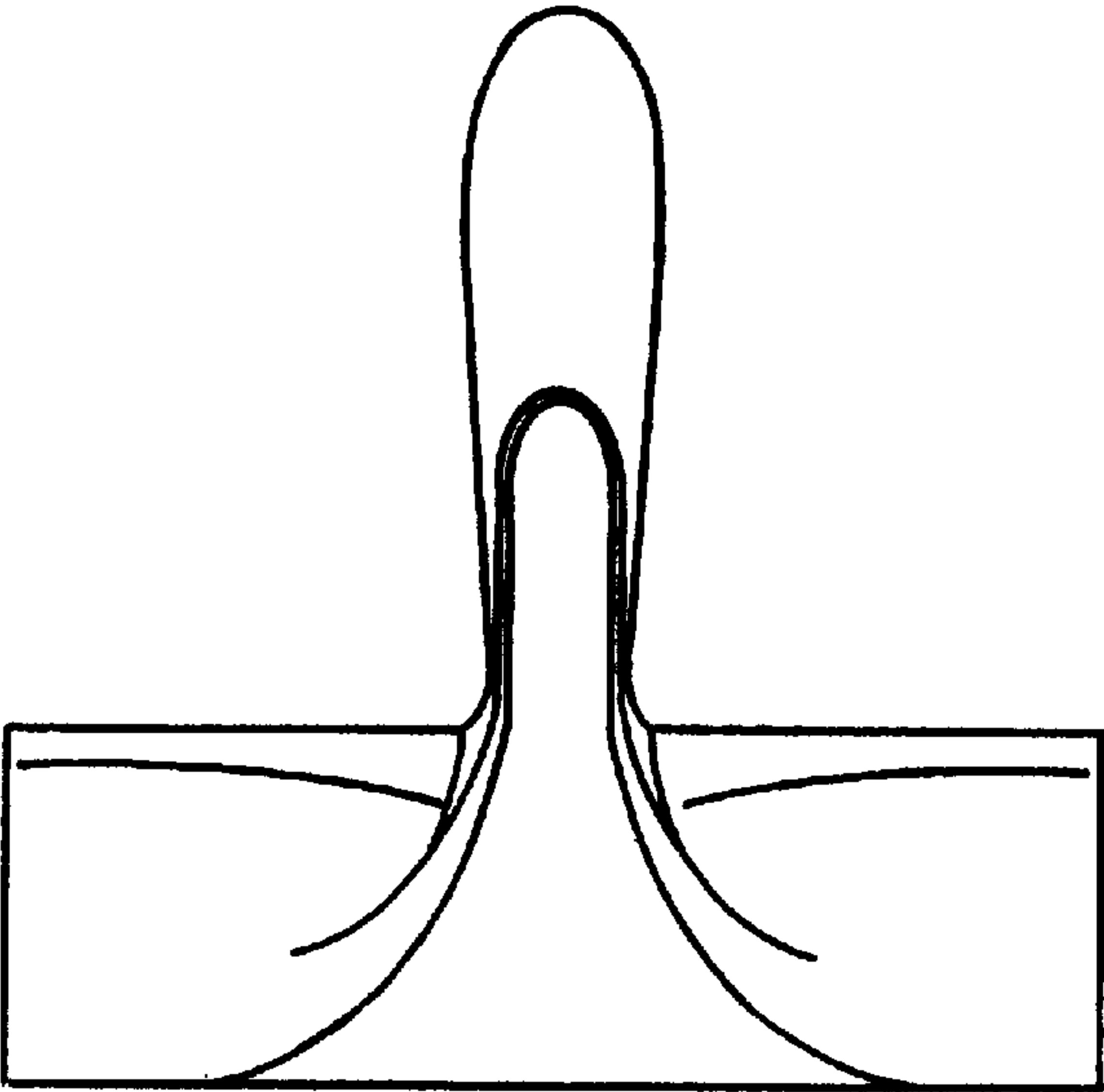


FIG. 6