

US00D505231S

(12) **United States Design Patent**
Jones

(10) **Patent No.:** **US D505,231 S**

(45) **Date of Patent:** **** May 17, 2005**

(54) **COLLAR**

(76) **Inventor:** **Robin J. Jones**, 207 Grand Ave.,
Chillicothe, OH (US) 45601

(**) **Term:** **14 Years**

(21) **Appl. No.:** **29/207,712**

(22) **Filed:** **Jun. 17, 2004**

(51) **LOC (7) Cl.** **30-04**

(52) **U.S. Cl.** **D30/152; D11/5**

(58) **Field of Search** D30/152; 119/854-856,
119/858-859, 860, 863-865, 653-654;
2/151, 154; D11/3-8, 25, 109, 44, 81, 99

(56) **References Cited**

U.S. PATENT DOCUMENTS

D58,409 S	*	7/1921	Sturm	D11/5
D131,052 S	*	1/1942	Oppenheim	D30/152
2,462,465 A	*	2/1949	Casella	279/2.14
D177,090 S	*	3/1956	Garber	D11/44
D243,411 S	*	2/1977	Johnson	D30/152
5,363,809 A	*	11/1994	Roe	119/792
5,474,033 A	*	12/1995	Mitchell, Jr.	119/860
6,325,024 B1	*	12/2001	Masukawa	119/858
D452,662 S	*	1/2002	Connelly	D11/3

D463,995 S	*	10/2002	Duncan	D11/109
D481,176 S	*	10/2003	Kellner	D30/152

* cited by examiner

Primary Examiner—Pamela Burgess
(74) *Attorney, Agent, or Firm*—Jenner & Block LLP

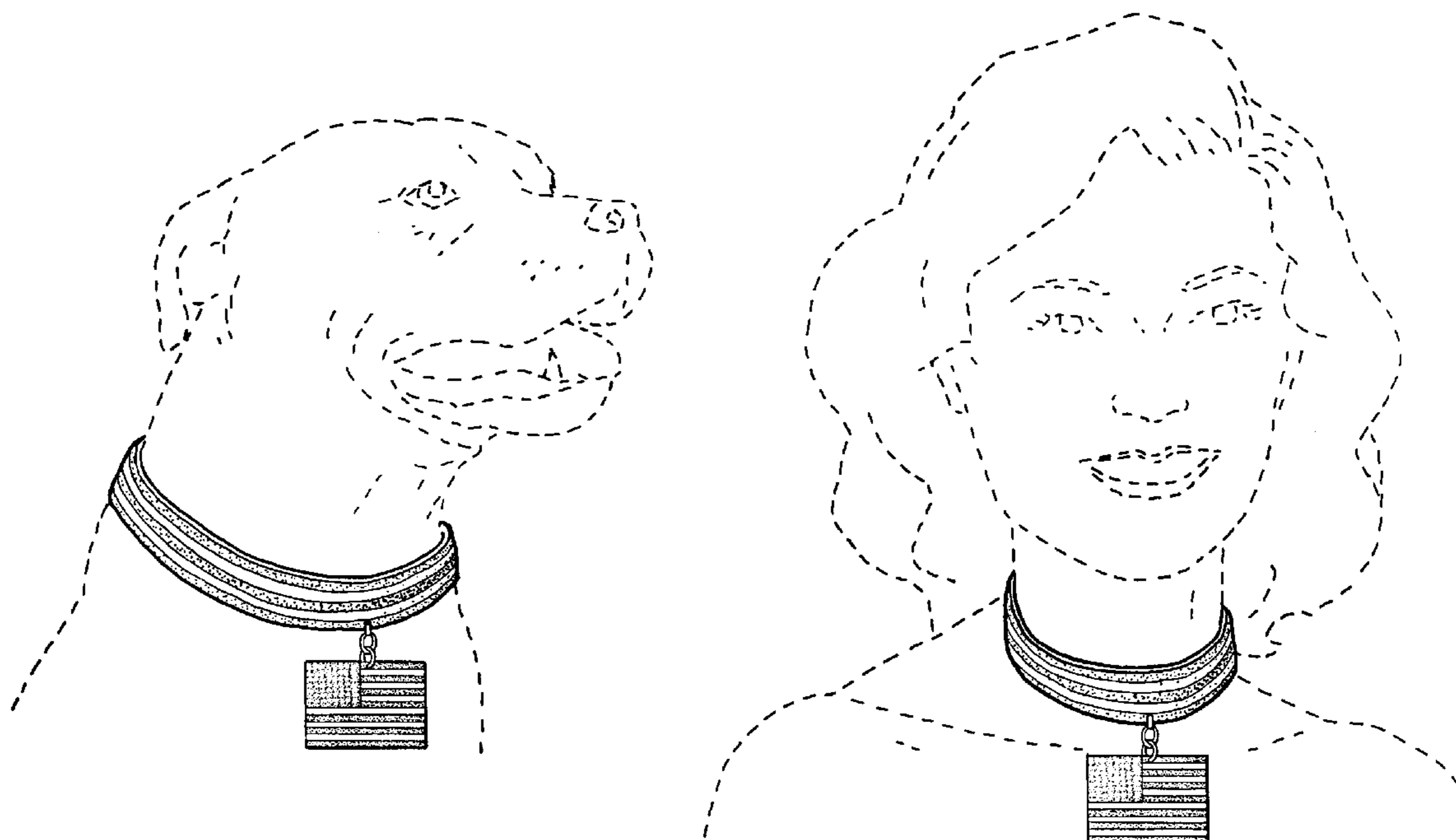
(57) **CLAIM**

The ornamental design for a collar, as shown and described.

DESCRIPTION

FIG. 1 is a front, top perspective view of a collar showing my new design;
FIG. 2 is a front elevational view thereof;
FIG. 3 is a top plan view thereof;
FIG. 4 is a bottom plan view thereof;
FIG. 5 is a rear elevational view thereof;
FIG. 6 is a left side elevational view thereof;
FIG. 7 is a right side elevational view thereof;
FIG. 8 is a front perspective view thereof, the broken lines showing a dog are for illustrative purposes only, forming no part of the claimed design; and,
FIG. 9 is a front perspective view thereof, the broken lines showing a woman are for illustrative purposes only, forming no part of the claimed design.

1 Claim, 7 Drawing Sheets



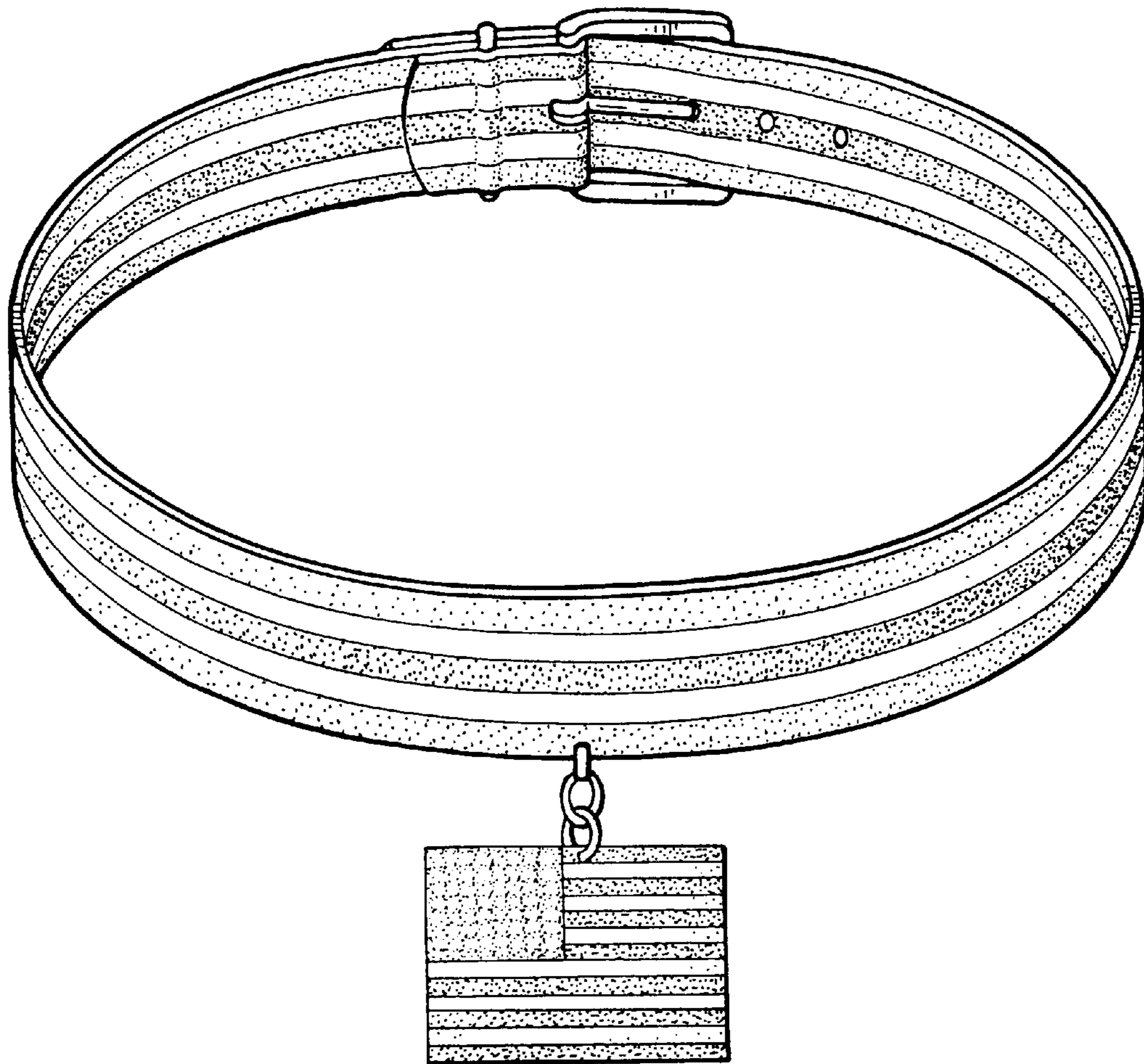


FIG. 1

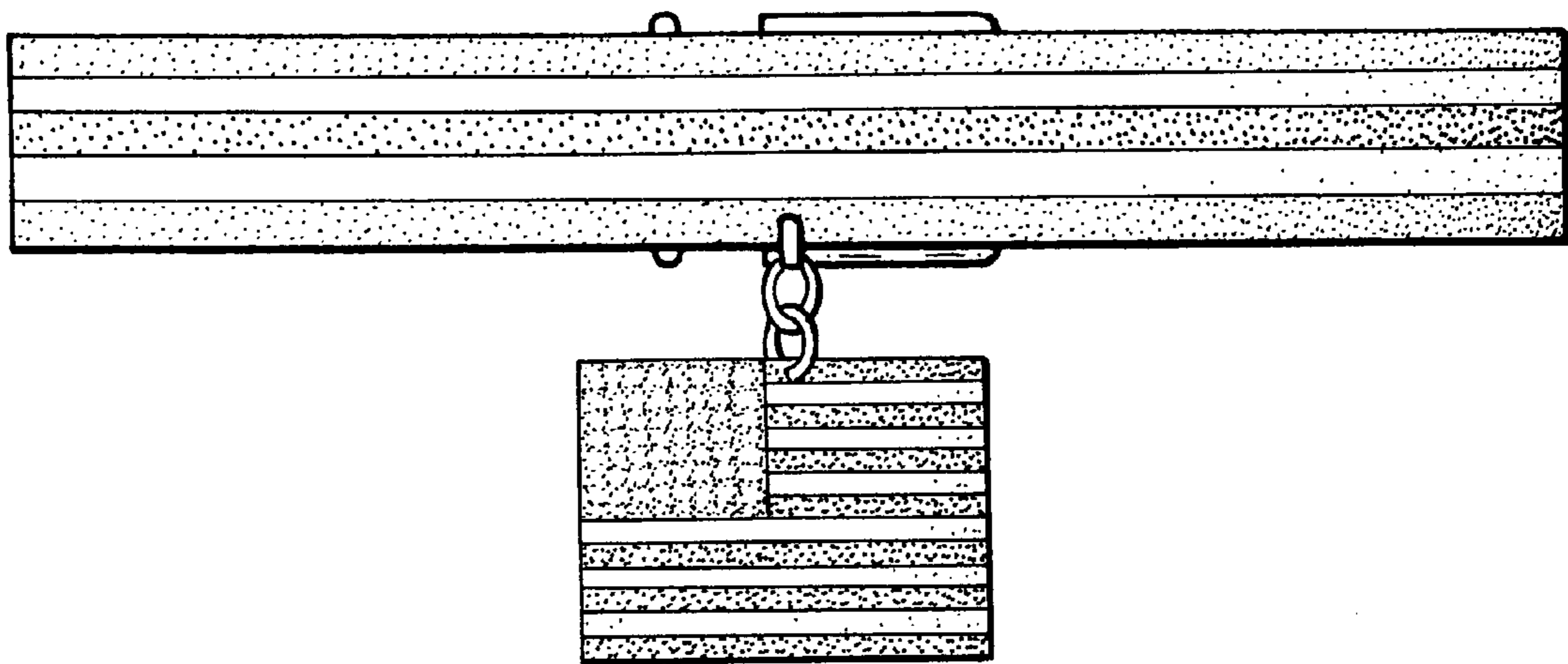


FIG. 2

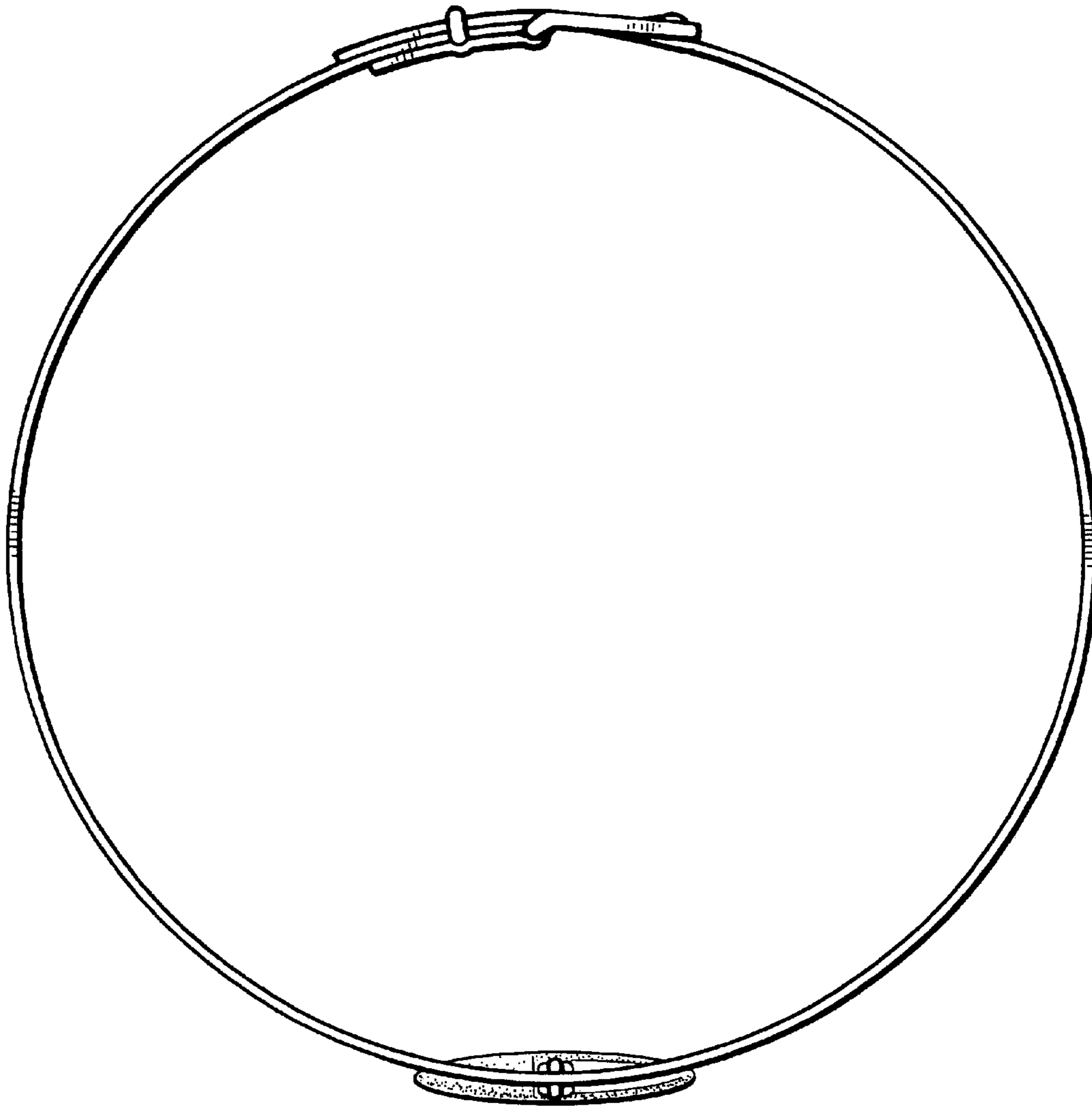


FIG. 3



FIG.4

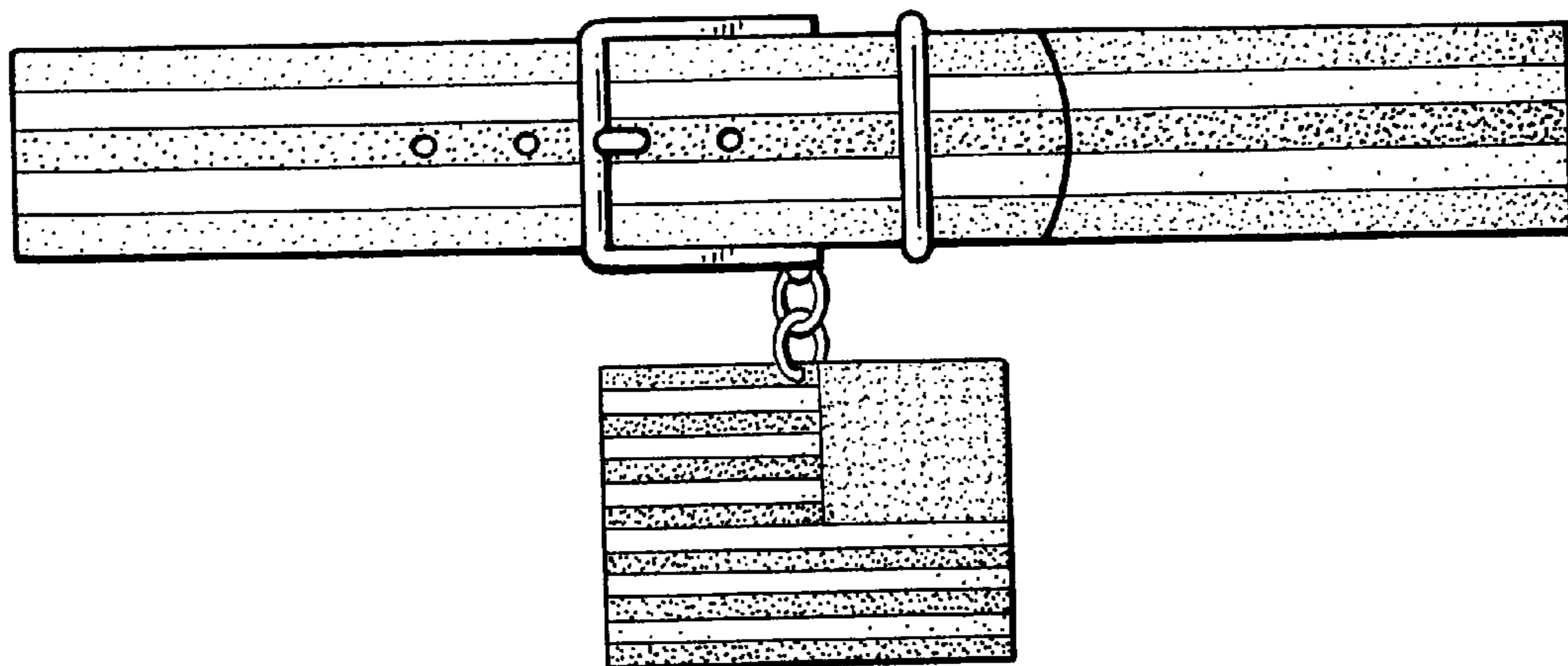


FIG. 5

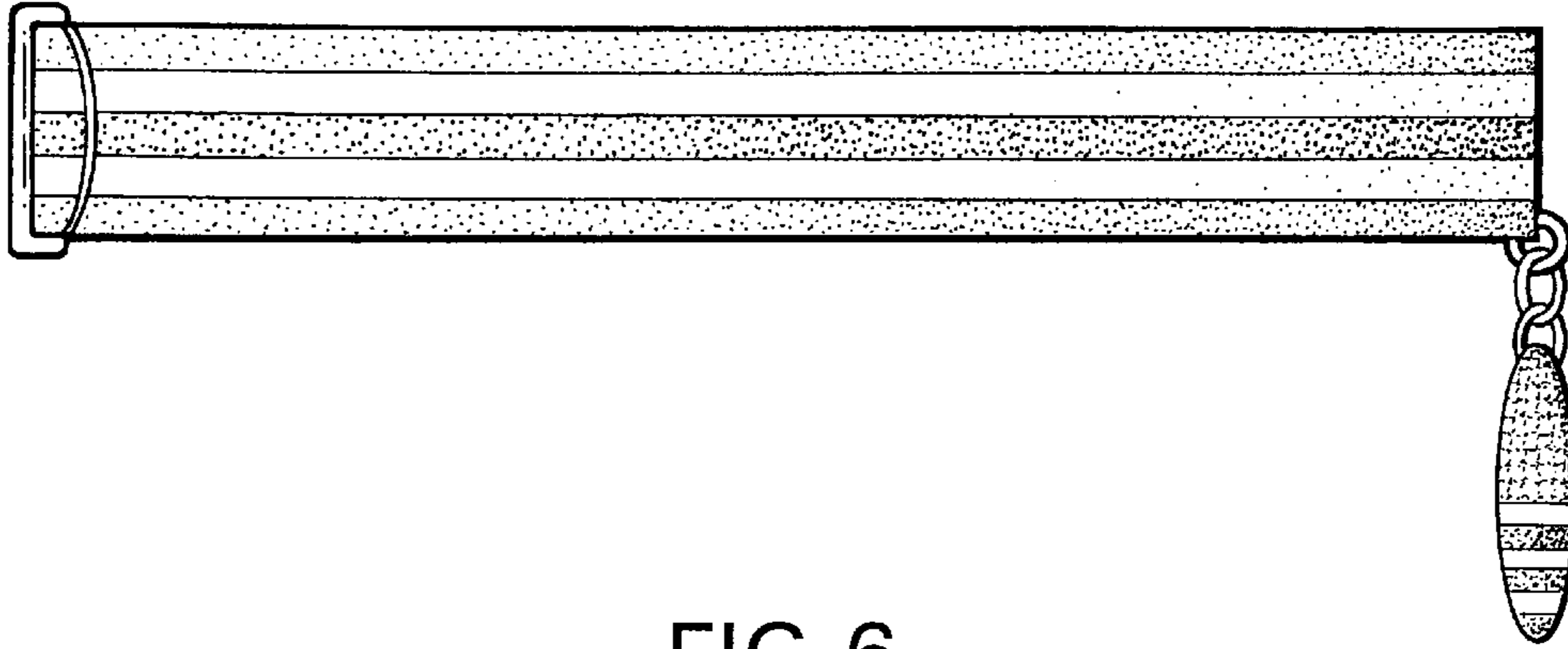


FIG. 6

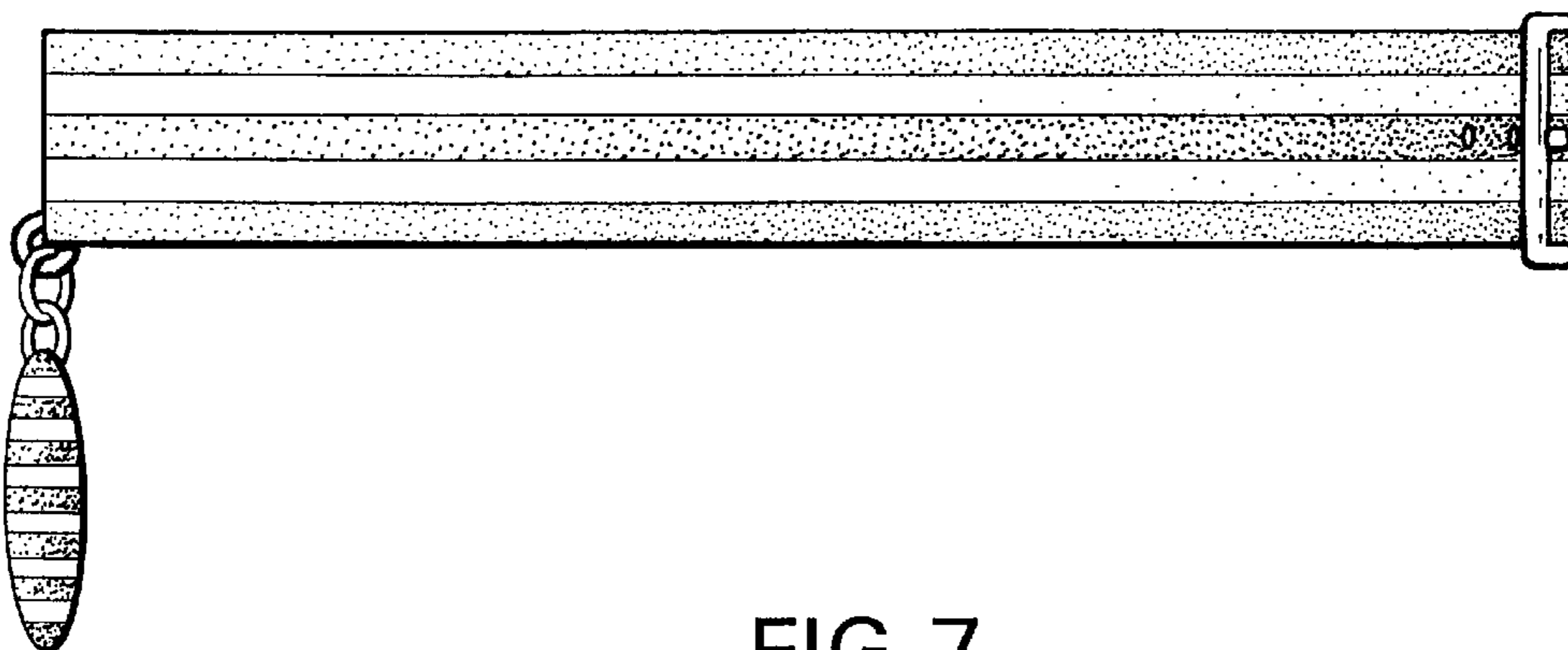


FIG. 7

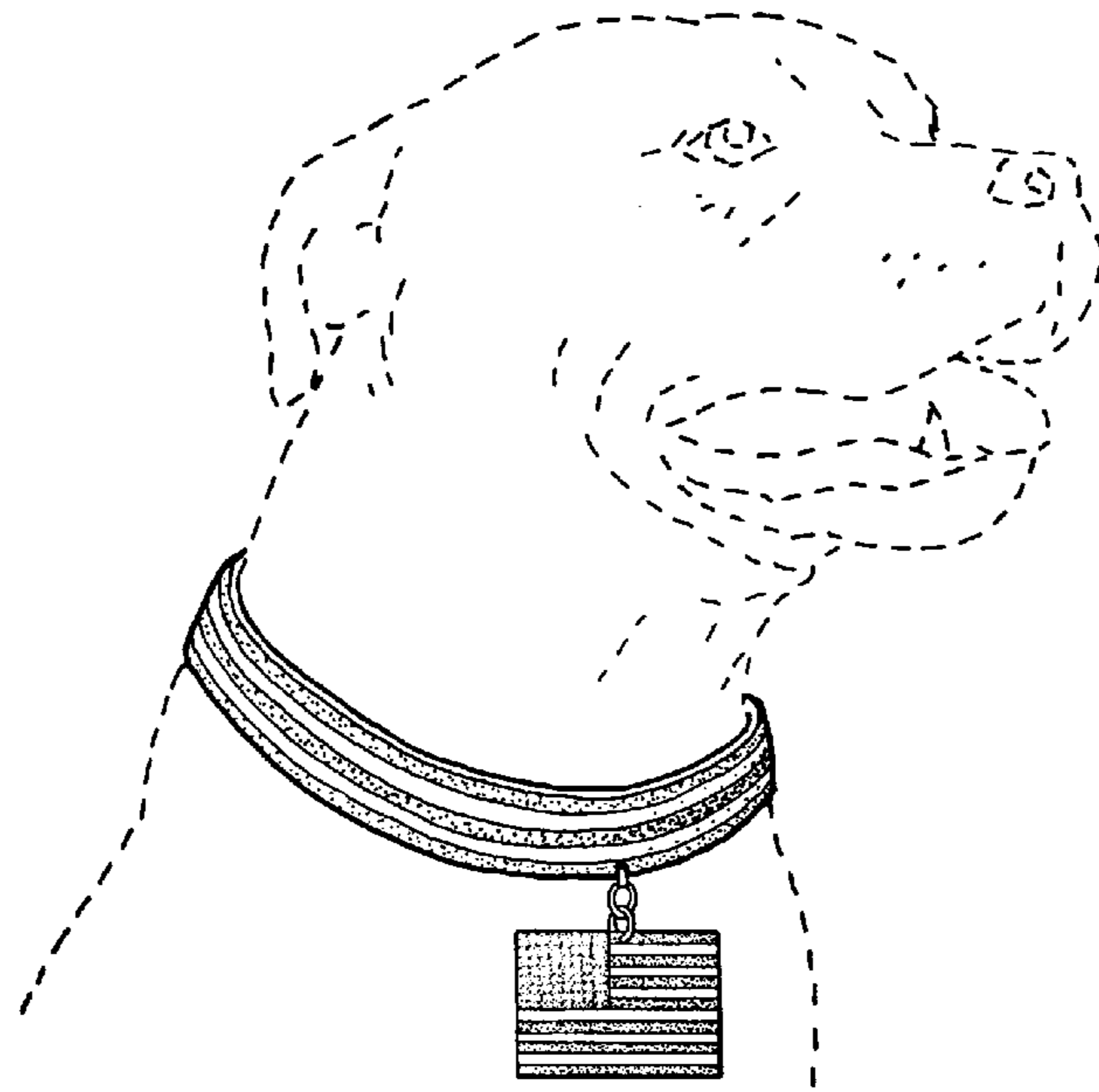


FIG. 8

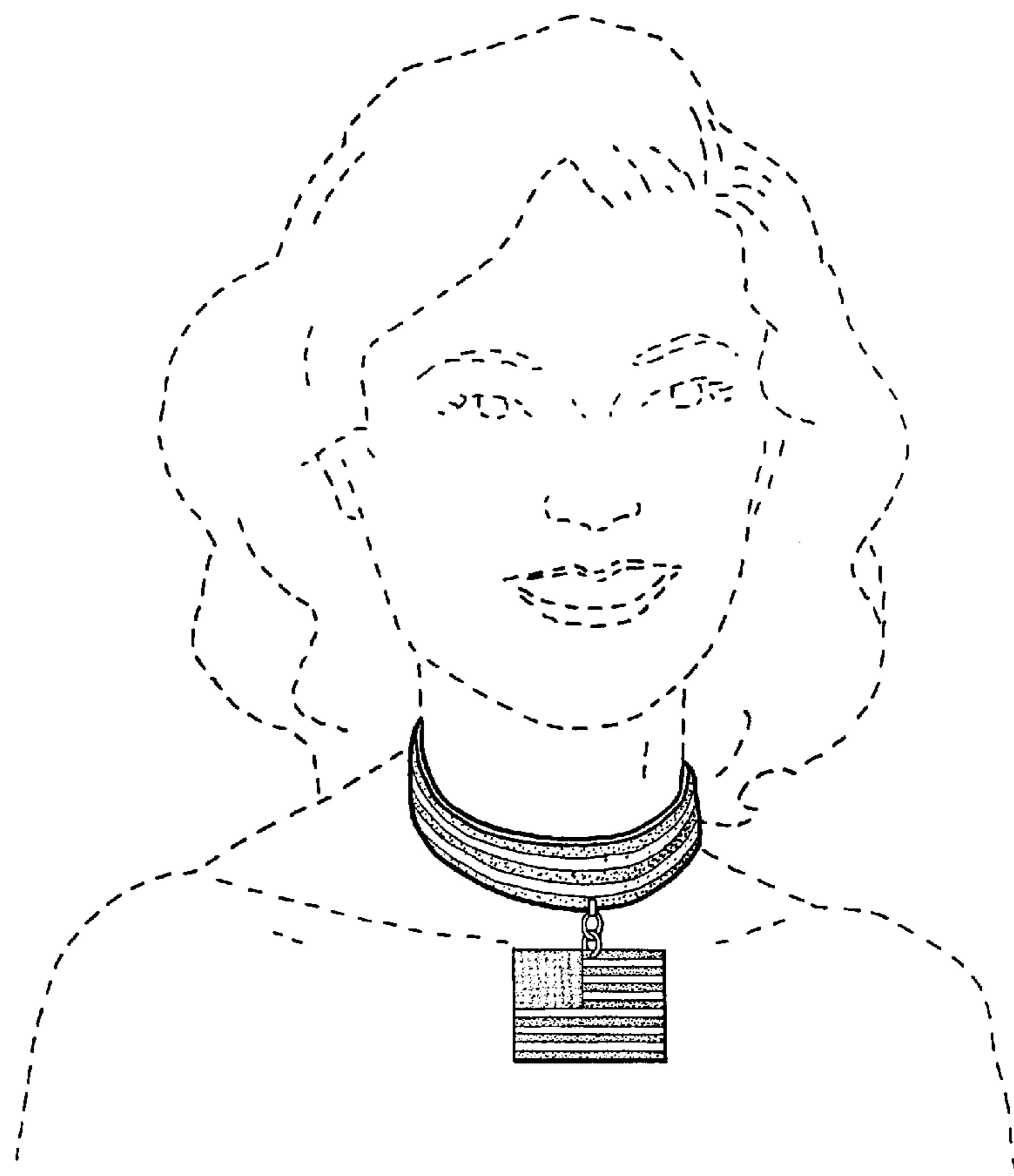


FIG. 9