

US00D505229S

(12) **United States Design Patent**
Barton et al.

(10) **Patent No.:** **US D505,229 S**
(45) **Date of Patent:** **** May 17, 2005**

(54) **HORSE LICK SUPPORT**

D257,542 S * 11/1980 Gorretta D30/131

(76) Inventors: **Peter Clarence Barton**, c/o Press-Tech Engineering, Unit 5, Mounts Road, Wednesbury, West Midlands WS10 0BU (GB); **Stephen Paul Barton**, c/o Press-Tech Engineering, Unit 5, Mounts Road, Wednesbury, West Midlands WS10 0BU (GB)

* cited by examiner

Primary Examiner—Alan P. Douglas
Assistant Examiner—Susan M Lee
(74) *Attorney, Agent, or Firm*—Smith-Hill and Bedell

(**) Term: **14 Years**

(57) **CLAIM**

The new and ornamental design for a horse lick support, as shown and described.

(21) Appl. No.: **29/208,272**

DESCRIPTION

(22) Filed: **Jun. 24, 2004**

FIG. 1 is a perspective view of a horse lick support showing our new design and wherein a basin or bowl is illustrated in dashed lines,

(51) **LOC (7) Cl.** **30-03**

(52) **U.S. Cl.** **D30/133**; 119/51.3

(58) **Field of Search** D30/133, 121;
119/51.03, 58, 60; 248/155.1–155.4, 174–75;
211/48, 49.1, 63, 69.9, 88.01; D6/313,
490, 553, 475, 567

FIG. 2 is a perspective view thereof without the bowl,

FIG. 3 is a left side elevation thereof, the right side elevation being a mirror image of FIG. 3,

FIG. 4 is a top plan view thereof,

FIG. 5 is a front elevation thereof; and,

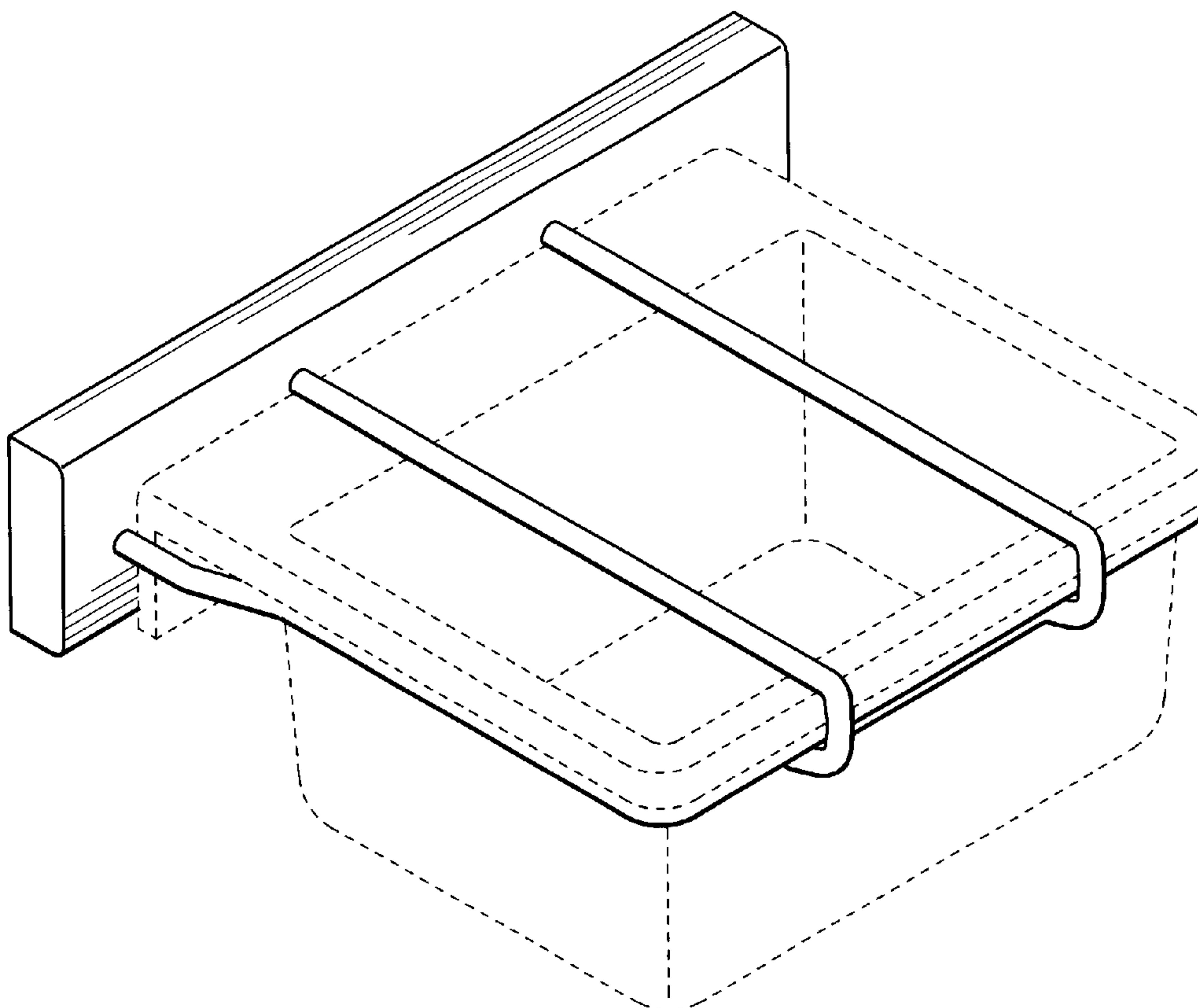
FIG. 6 is a bottom plan view thereof.

(56) **References Cited**

U.S. PATENT DOCUMENTS

D118,124 S * 12/1939 MacLean D30/121

1 Claim, 3 Drawing Sheets



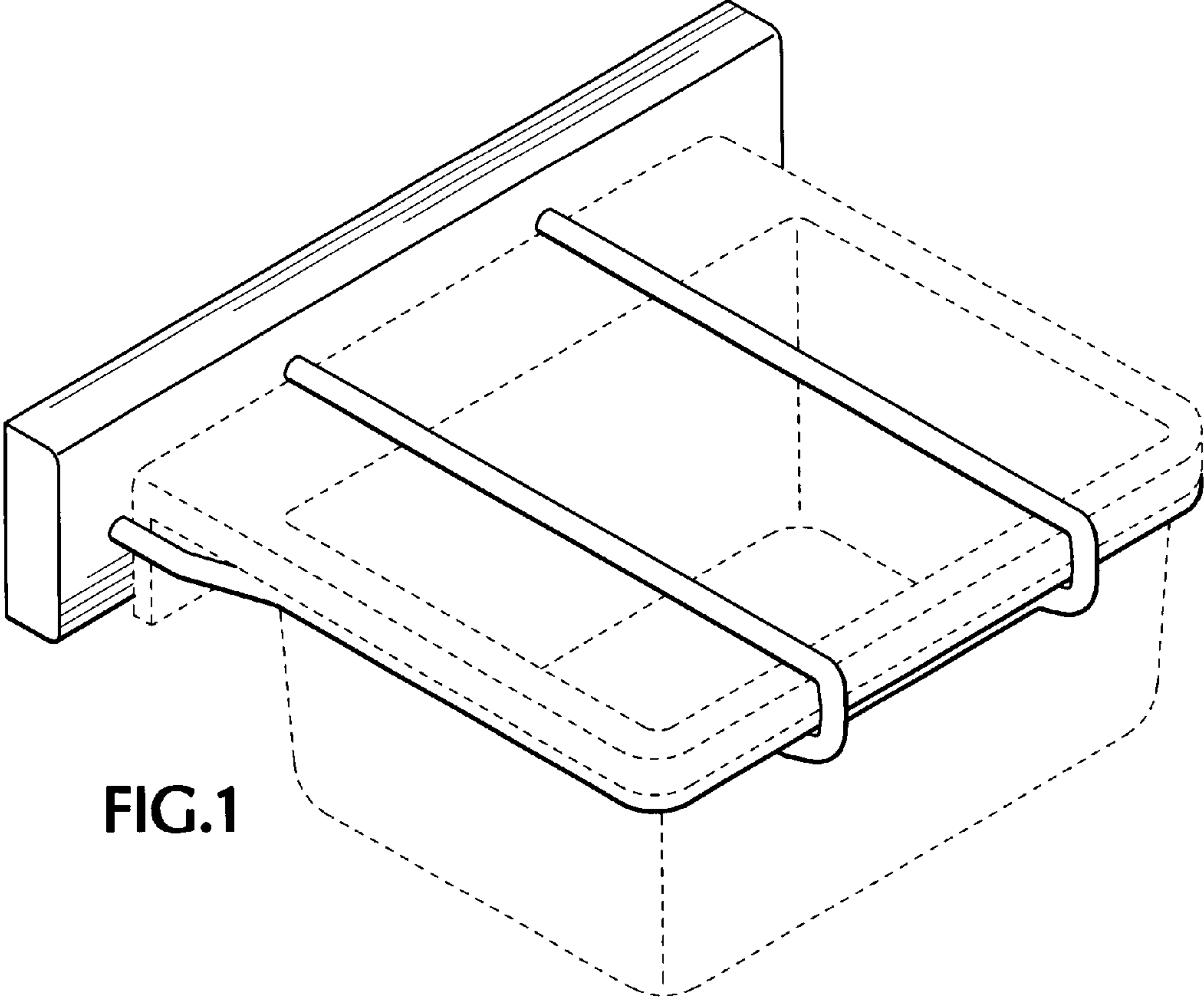


FIG.1

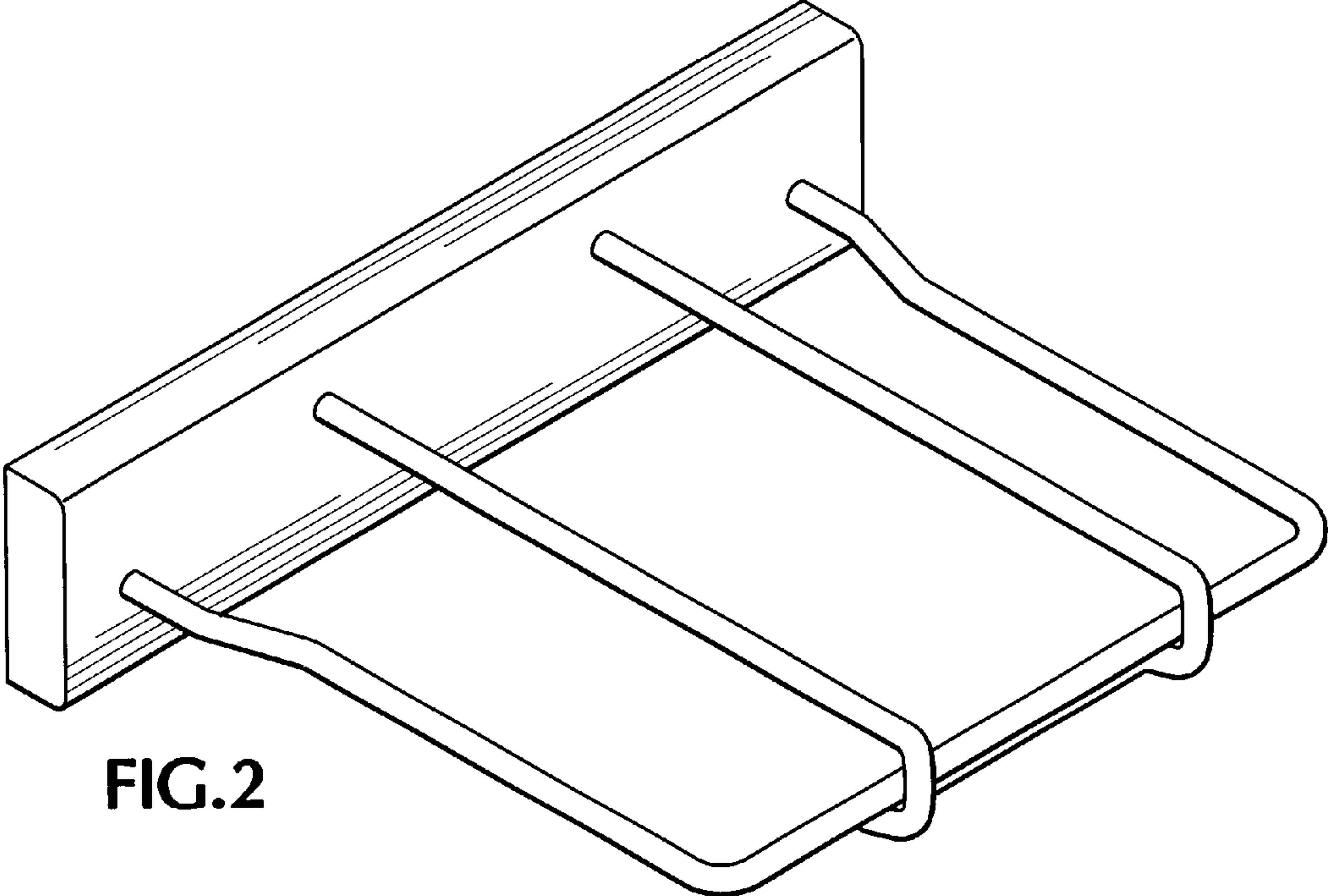


FIG.2

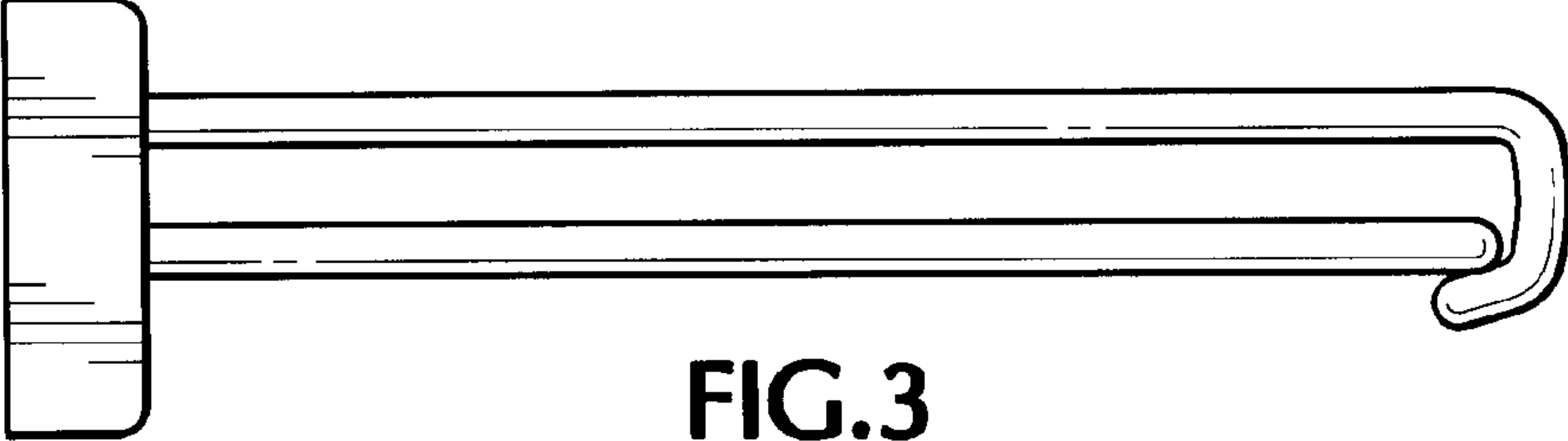


FIG.3

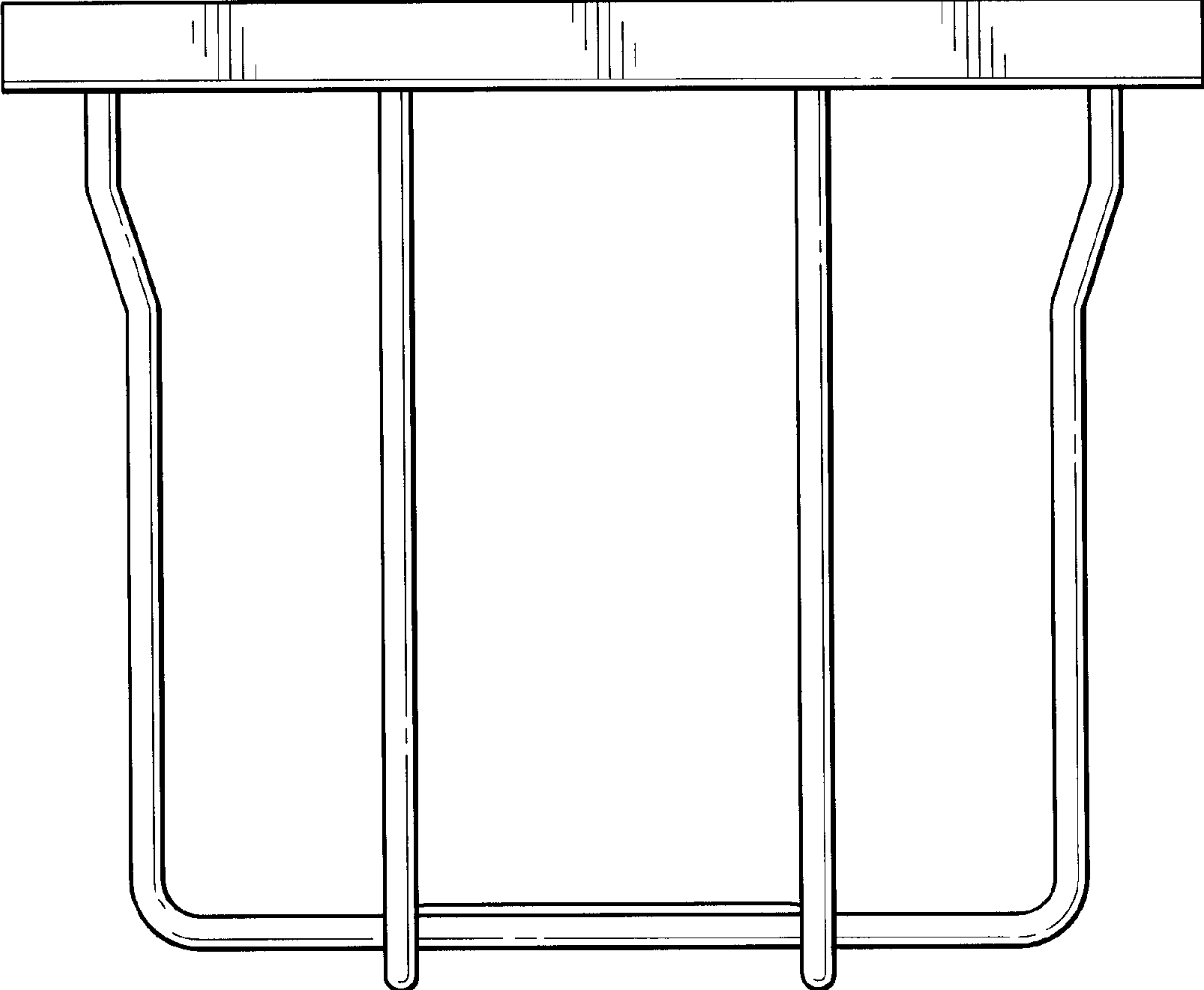


FIG.4

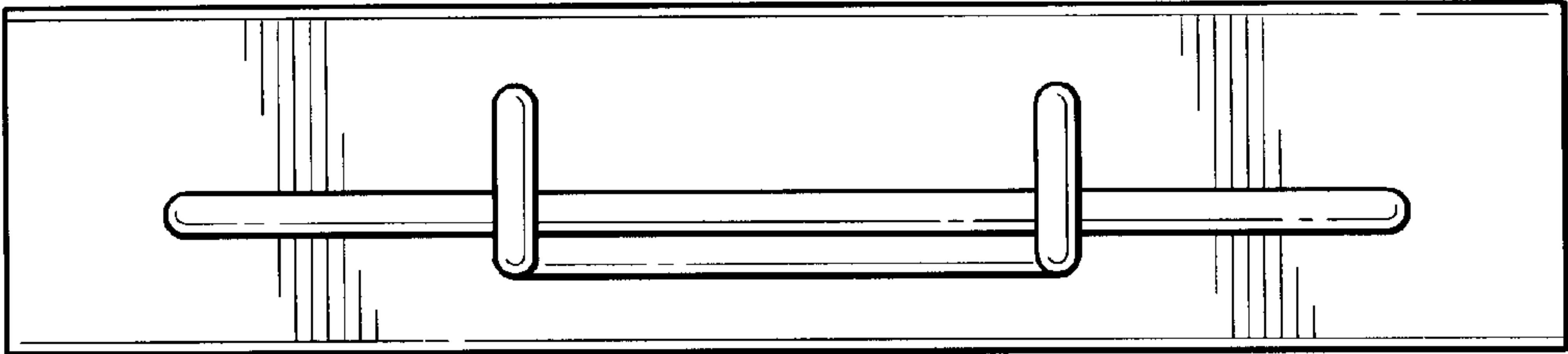


FIG. 5

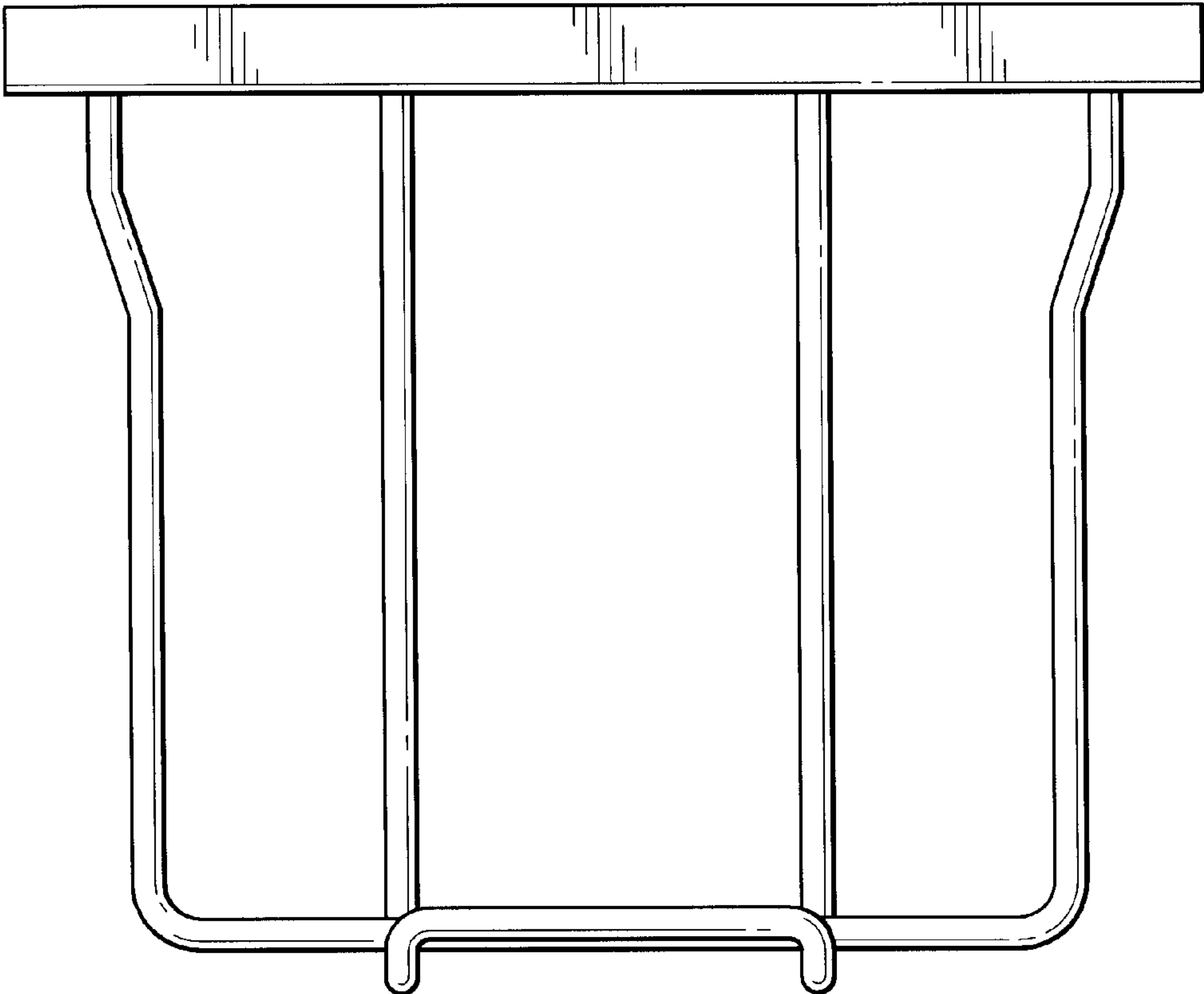


FIG. 6