



US00D505225S

(12) **United States Design Patent** (10) **Patent No.:** **US D505,225 S**
Pavic (45) **Date of Patent:** **** May 17, 2005**

(54) **RECEIVER FOR TOBACCO SMOKER'S WASTE**

Primary Examiner—Jennifer Rivard
(74) *Attorney, Agent, or Firm*—Donald O. Mon

(76) **Inventor:** **Zdenko Pavic**, 1035 W. 23rd St., Apt. 1, San Pedro, CA (US) 90731

(57) **CLAIM**

I claim the ornamental design for a receiver for tobacco smoker's waste, as shown and described.

(**) **Term:** **14 Years**

(21) **Appl. No.:** **29/194,742**

DESCRIPTION

(22) **Filed:** **Nov. 25, 2003**

(51) **LOC (7) Cl.** **27-03**

FIG. 1 is a perspective view of the invention with a portion of a container, to which it is removably attached, shown in broken lines.

(52) **U.S. Cl.** **D27/103; D27/125**

FIG. 2 is a front elevation view of the invention;

(58) **Field of Search** D27/102, 103, D27/104, 125, 126, 135; 220/911; 131/231, 235.1, 238, 240.1, 241, 242

FIG. 3 is a right side elevation view thereof;

FIG. 4 is a left side elevation view thereof;

(56) **References Cited**

U.S. PATENT DOCUMENTS

2,152,285	A	*	3/1939	Schirmer	220/911
3,620,225	A	*	11/1971	Bailey et al.	131/235.1
4,133,319	A	*	1/1979	Bloomfield	220/911
6,606,996	B1	*	8/2003	Thornell et al.	131/241
D493,011	S	*	7/2004	Foote	D27/104

FIG. 5 is a top plan view thereof;

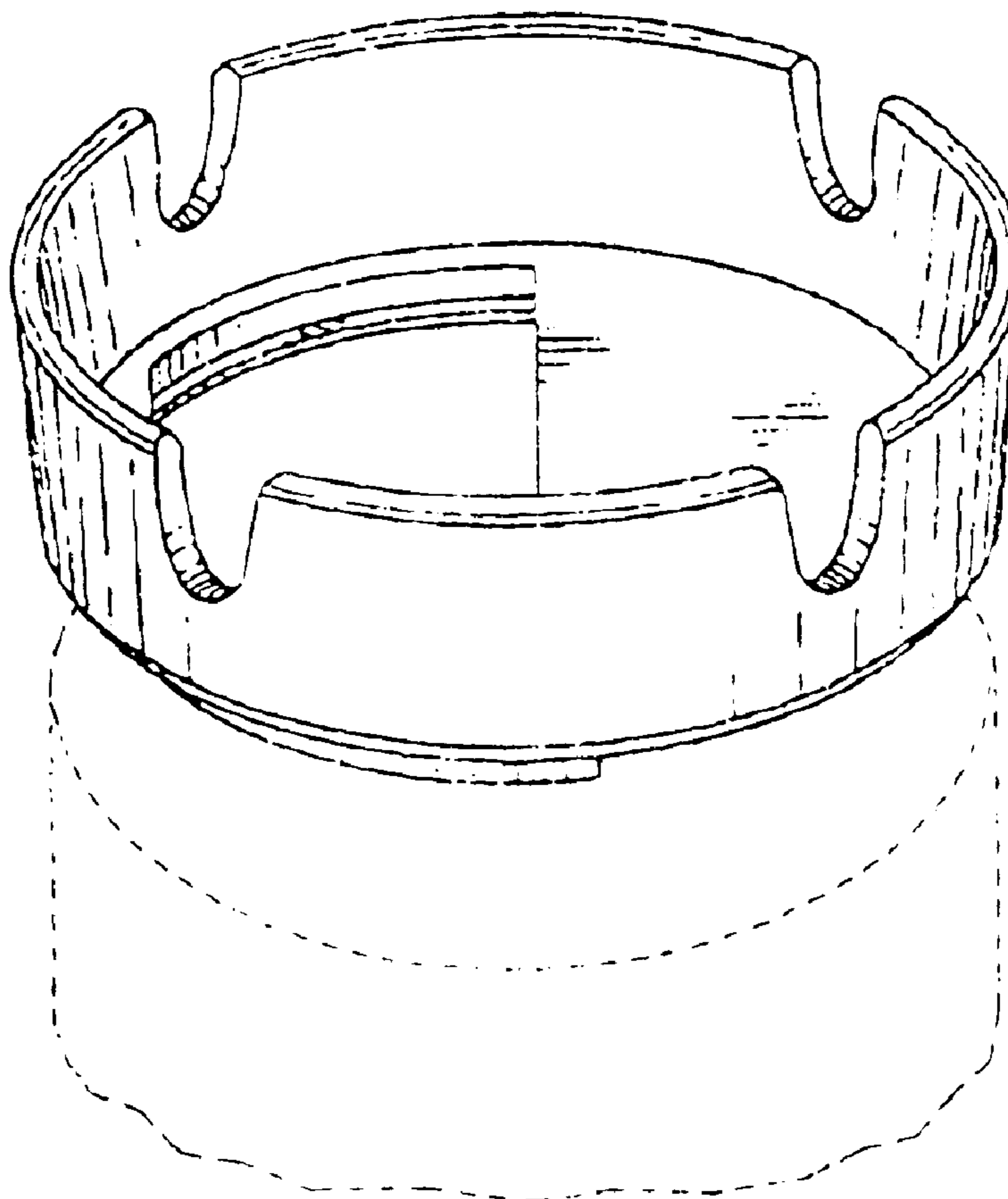
FIG. 6 is a rear elevation view thereof; and,

FIG. 7 is a bottom plan view thereof.

The broken line disclosure of the container is shown for illustrative purposes only and forms no part of the claimed design.

* cited by examiner

1 Claim, 2 Drawing Sheets



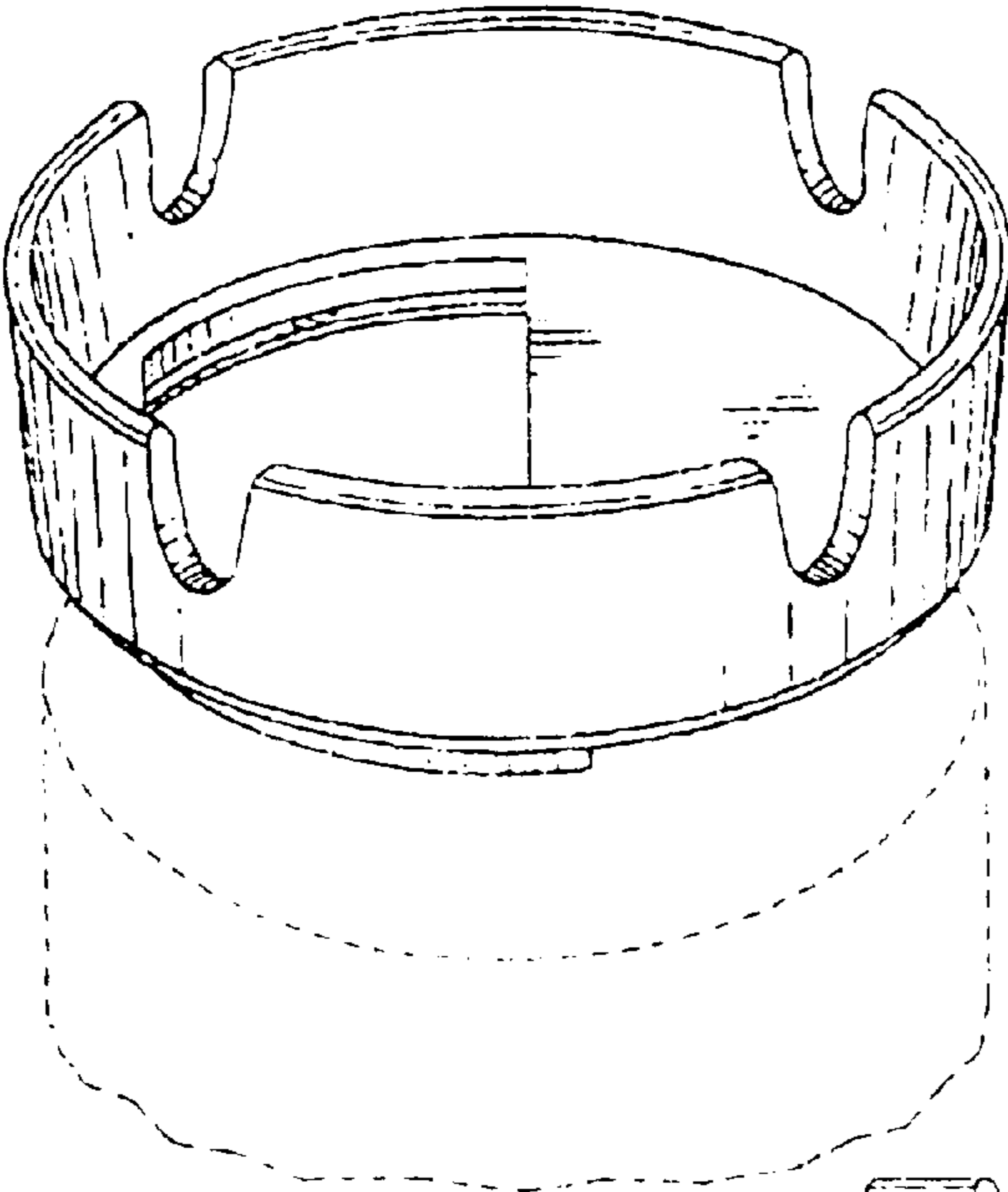


FIG. 1

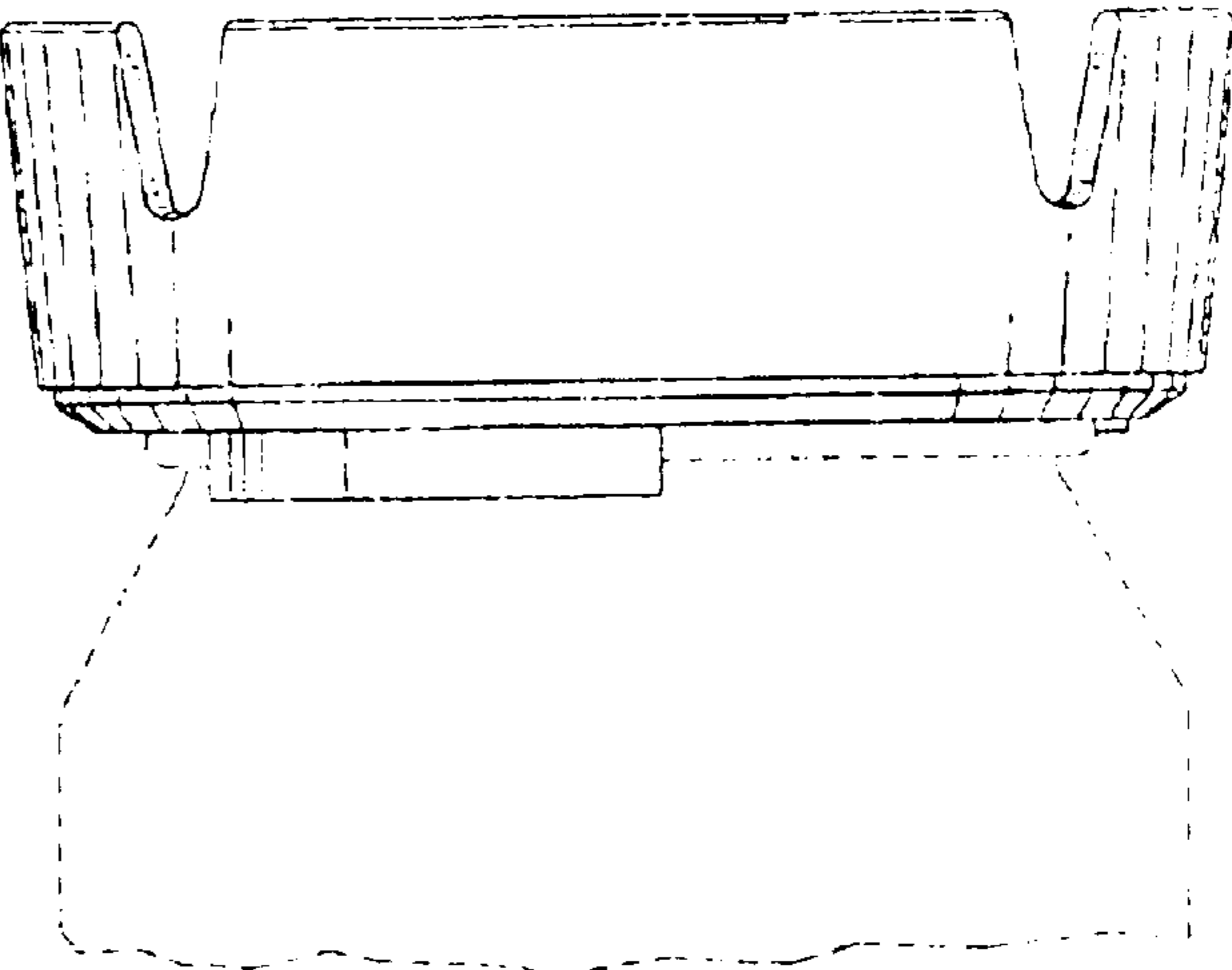


FIG. 2

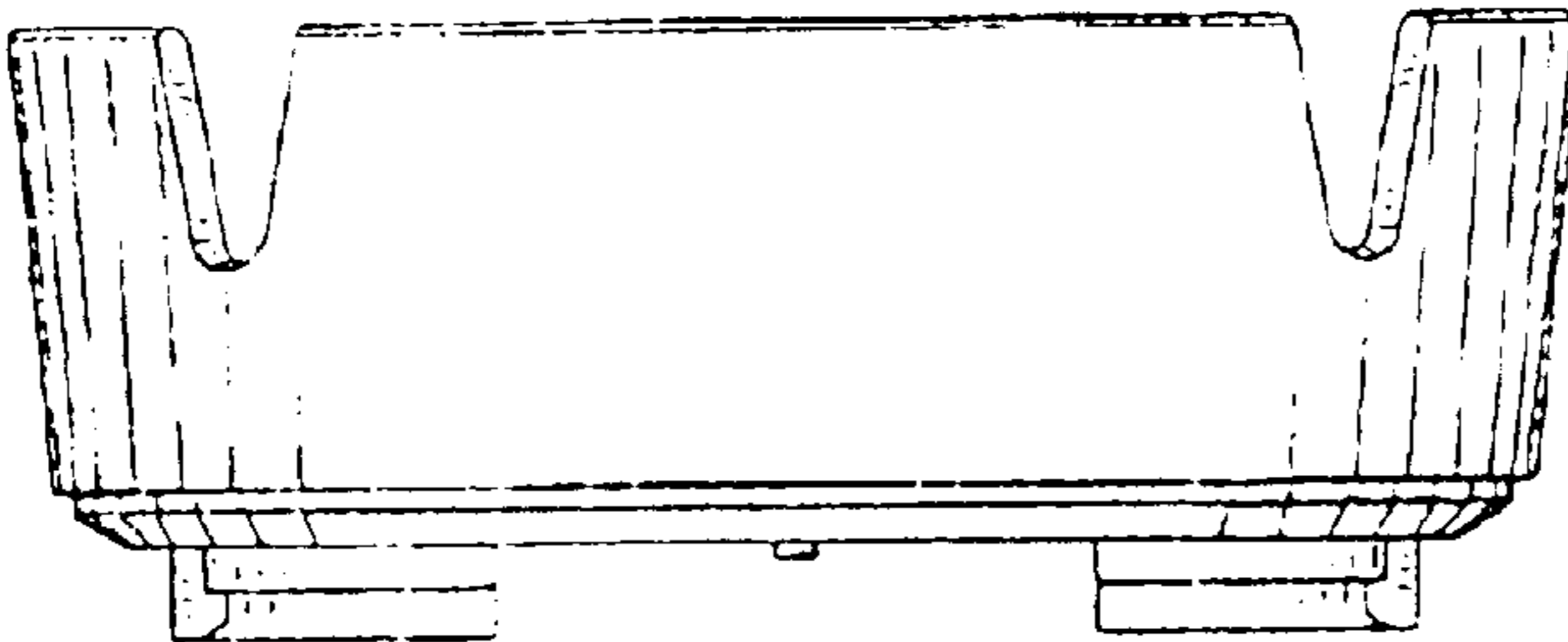


FIG. 3

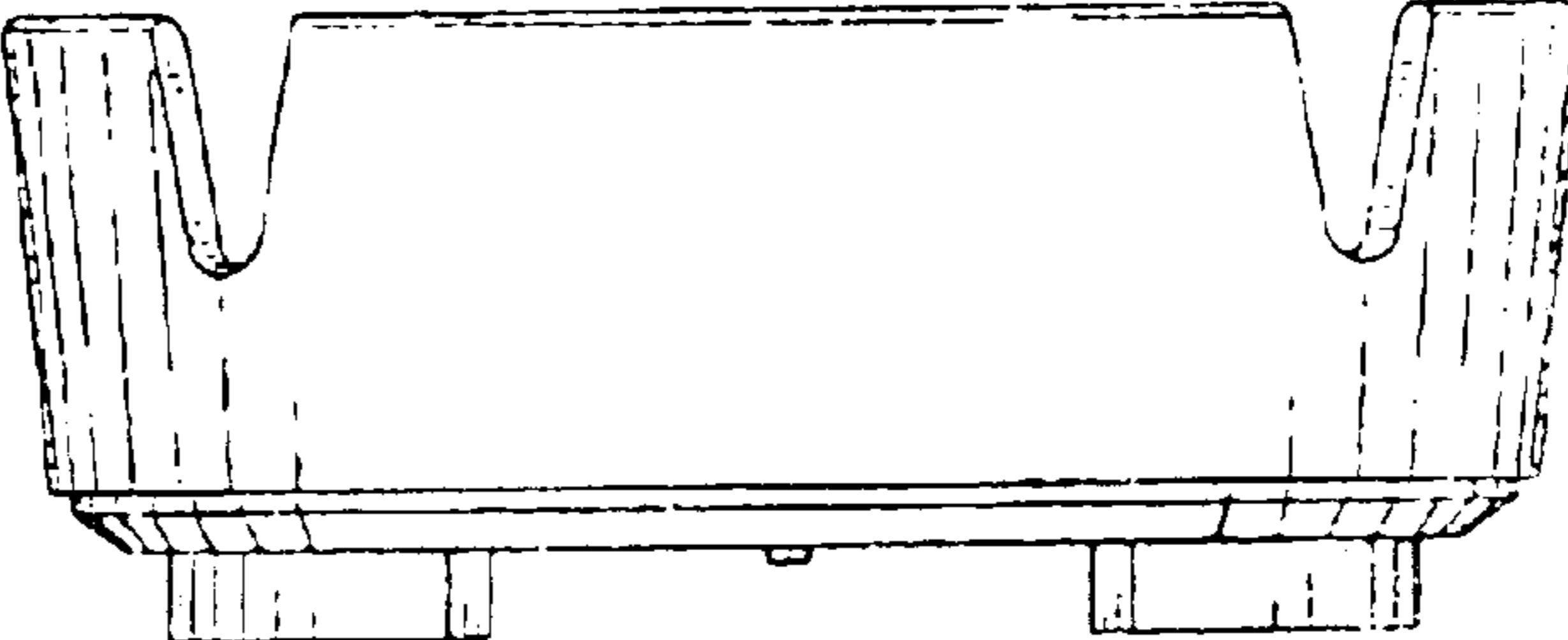


FIG. 4

FIG. 5

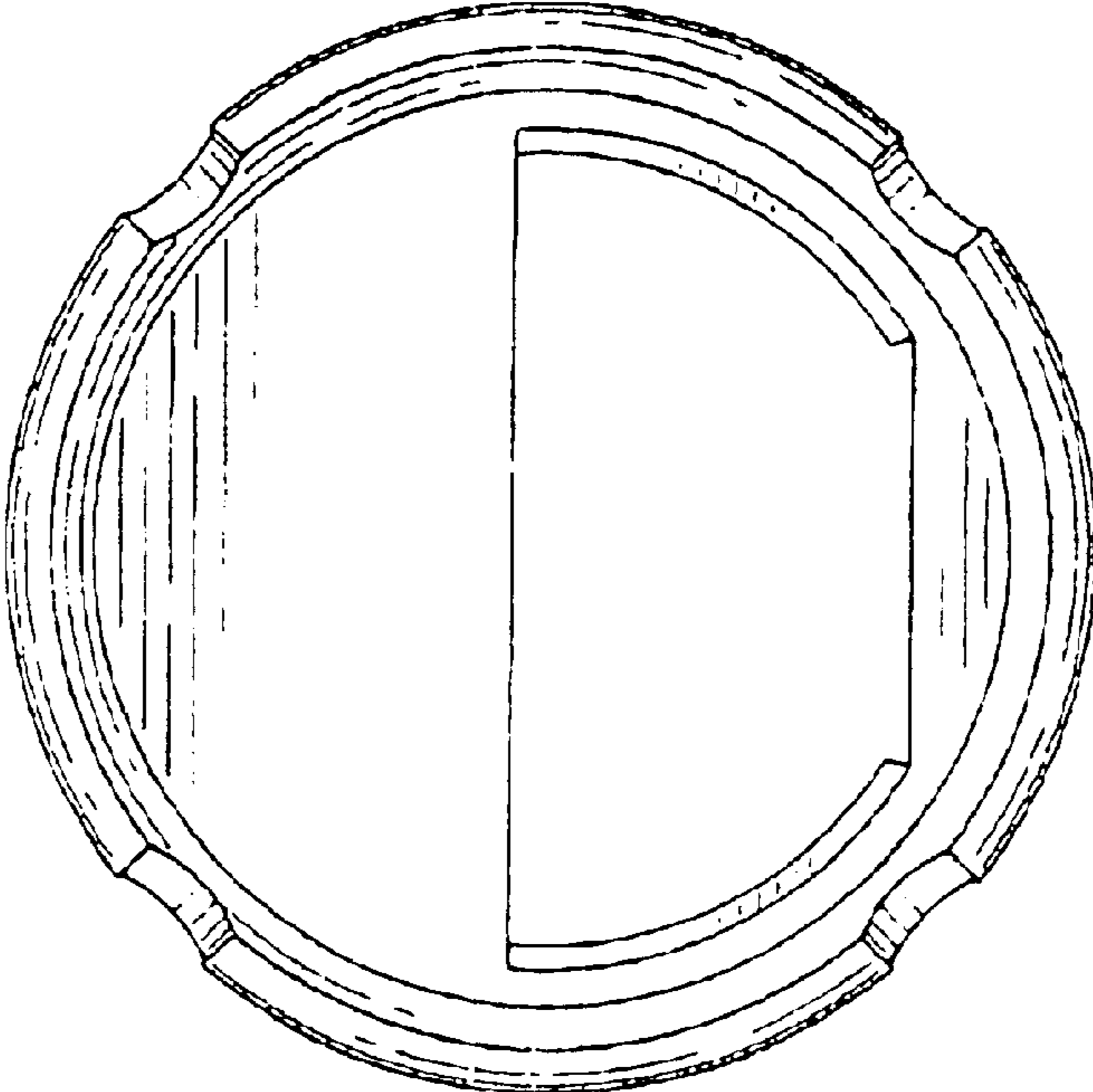


FIG. 6

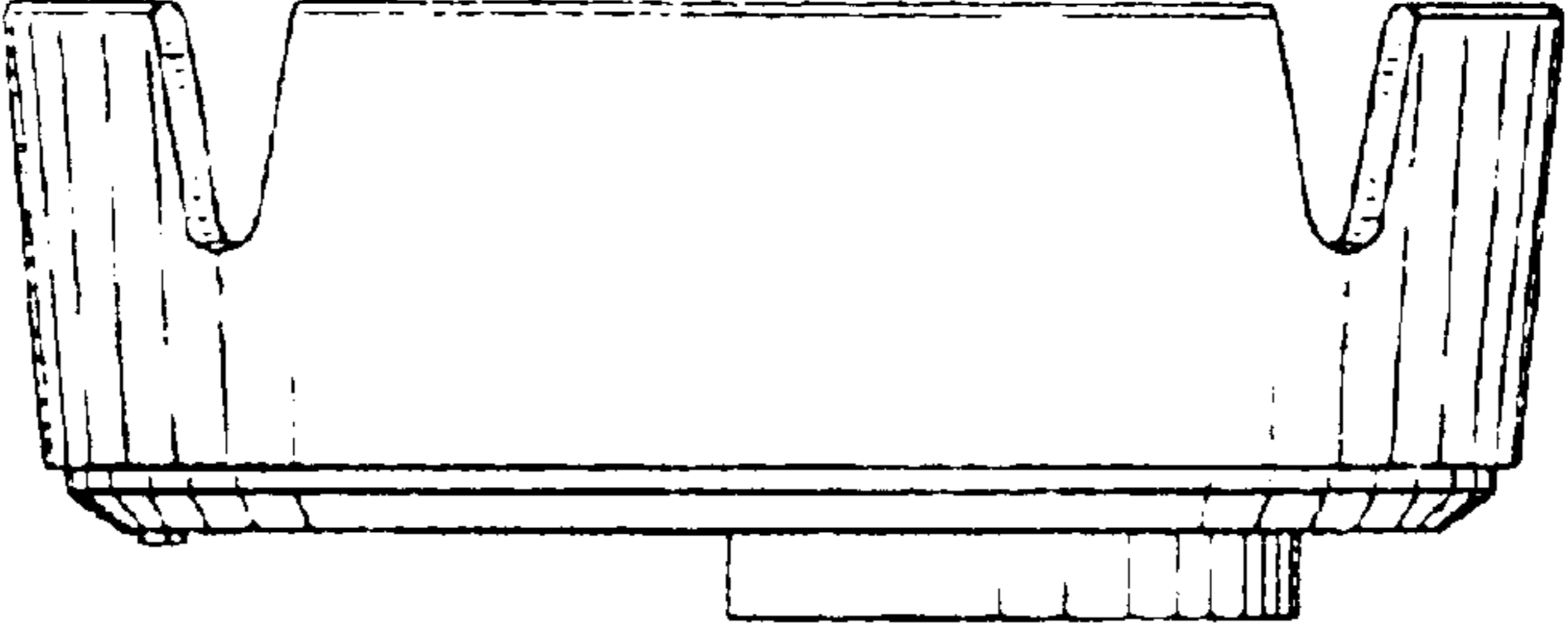


FIG. 7

