

US00D505224S

(12) **United States Design Patent**
Smith et al.

(10) **Patent No.:** **US D505,224 S**
(45) **Date of Patent:** **** May 17, 2005**

(54) **CLEAR LOWER LENS AND BASE FOR A LIGHT**

(75) Inventors: **Kenneth Smith**, Porum, OK (US);
William Greg Bland, Tulsa, OK (US)

(73) Assignee: **Optronics, Inc.**, Muskogee, OK (US)

(**) Term: **14 Years**

(21) Appl. No.: **29/188,036**

(22) Filed: **Aug. 12, 2003**

(51) **LOC (7) Cl.** **26-99**

(52) **U.S. Cl.** **D26/142**

(58) **Field of Search** D26/76, 77, 118,
D26/138, 142; 362/147, 404-408, 217,
225, 382, 268

(56) **References Cited**

U.S. PATENT DOCUMENTS

D380,854 S	*	7/1997	Bray	D26/142
D441,128 S	*	4/2001	Lee	D26/142
D493,565 S	*	7/2004	Smith et al.	D26/118

OTHER PUBLICATIONS

Item BI, Taiwan Lighting 1997, p. 322.*

* cited by examiner

Primary Examiner—Jennifer Rivard

(74) *Attorney, Agent, or Firm*—Head, Johnson & Kachigian

(57) **CLAIM**

The ornamental design for a clear lower lens and base for a light, as shown and described.

DESCRIPTION

FIG. 1 is a top view of a clear lower lens and base for a light constructed in accordance with the present invention;

FIG. 2 is a right side view of the clear lower lens and base for a light shown in FIG. 1;

FIG. 3 is a bottom view of the clear lower lens and base for a light shown in FIG. 1;

FIG. 4 is a front view of the clear lower lens and base for a light shown in FIG. 1; and,

FIG. 5 is a perspective view of the clear lower lens and base for a light shown in FIG. 1.

The left side view is a mirror image of the right side view shown in FIG. 2.

The rear view is a mirror image of the front view shown in FIG. 4.

1 Claim, 2 Drawing Sheets

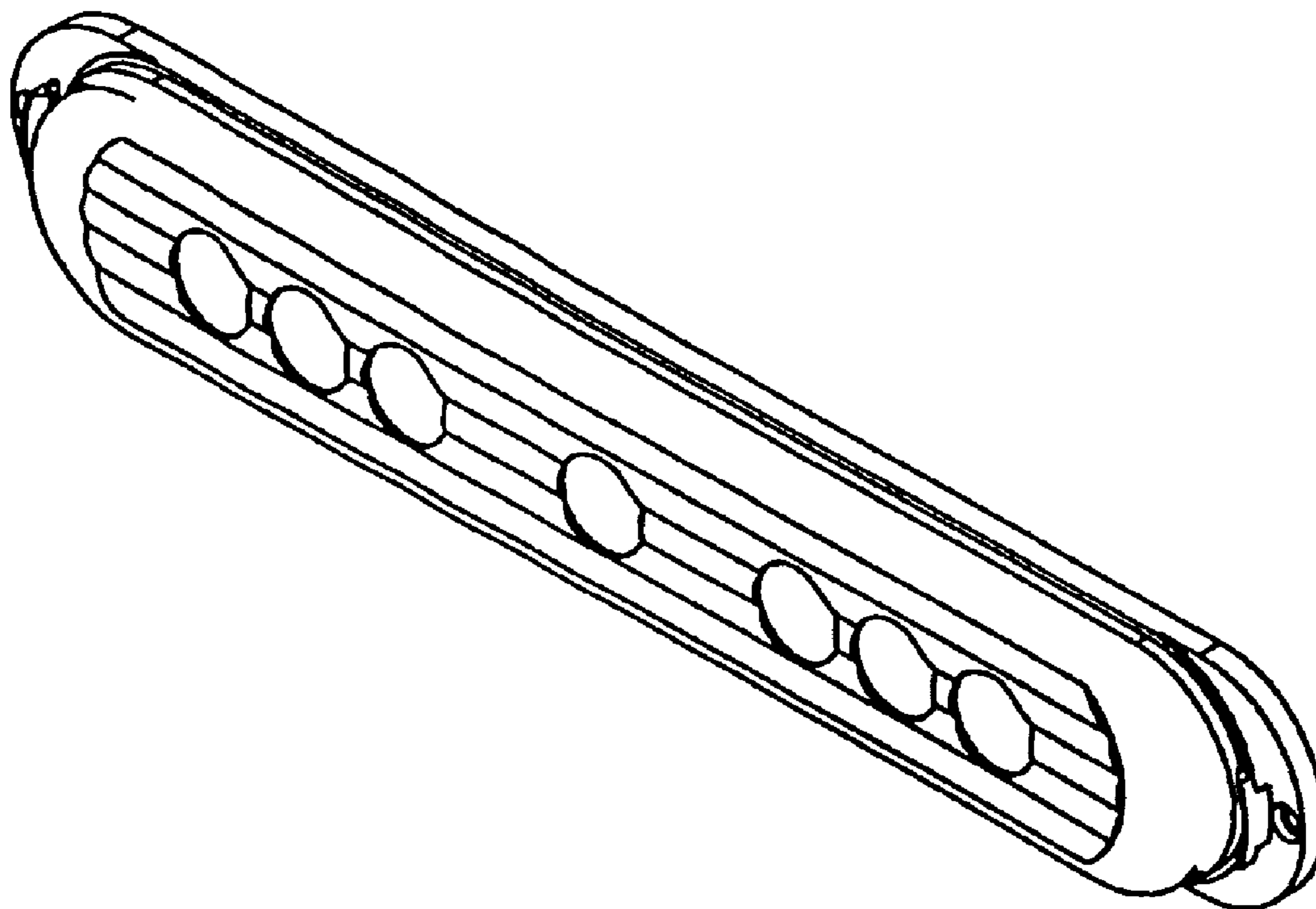


FIG 1

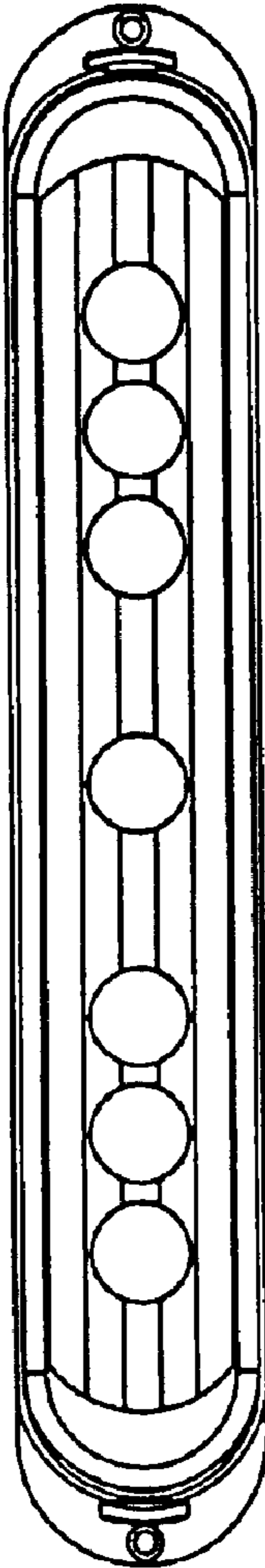


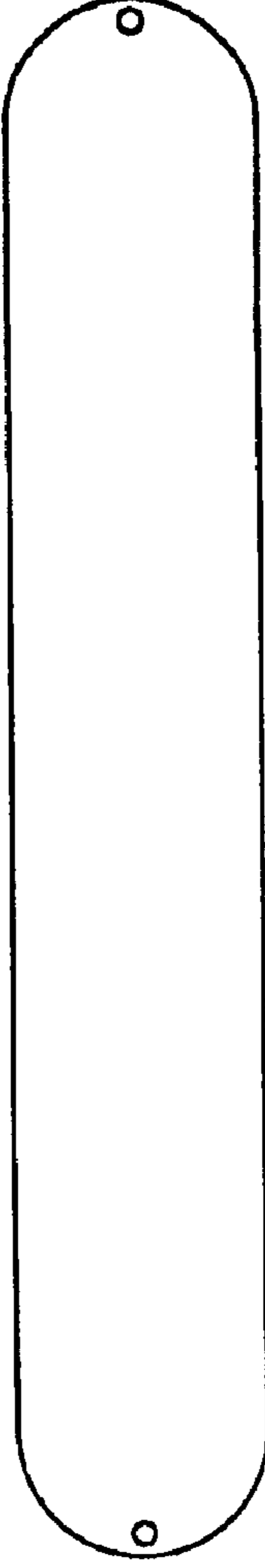
FIG 2



FIG 4



FIG 3



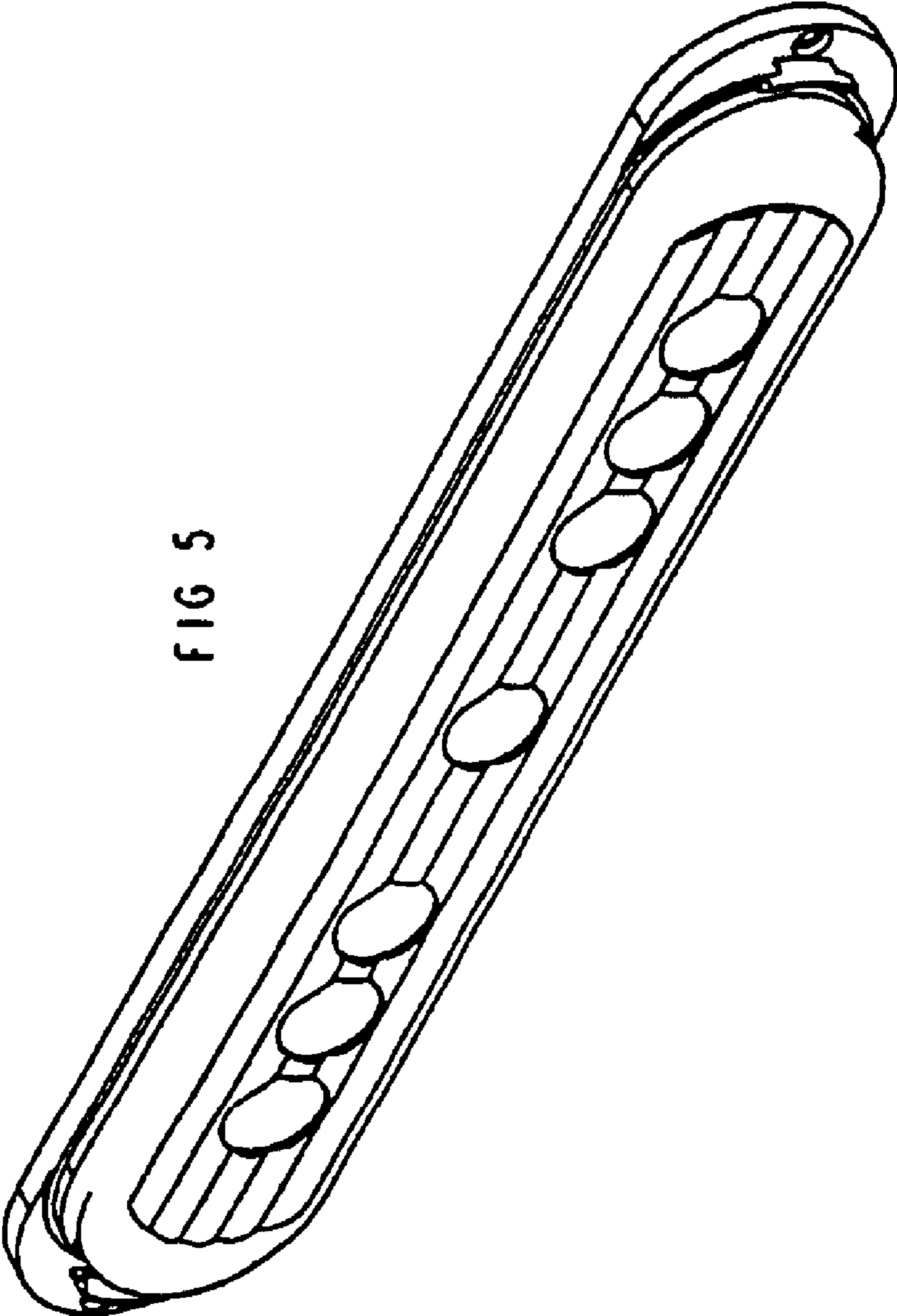


FIG 5