

US00D505220S

(12) **United States Design Patent**
Stekelenburg

(10) **Patent No.:** **US D505,220 S**

(45) **Date of Patent:** **** May 17, 2005**

(54) **WORK LIGHT**

(75) **Inventor:** **Albert Stekelenburg, Taipei (TW)**

(73) **Assignee:** **All-Line Inc., Taipei (TW)**

(**) **Term:** **14 Years**

(21) **Appl. No.:** **29/186,328**

(22) **Filed:** **Jul. 15, 2003**

(51) **LOC (7) Cl. 26-03**

(52) **U.S. Cl. D26/61**

(58) **Field of Search** D26/60-66; 362/269,
362/277, 279, 282, 285, 287, 289, 290,
410-414

(56) **References Cited**

U.S. PATENT DOCUMENTS

D369,227 S * 4/1996 Sumer D26/63
D388,209 S * 12/1997 Grossman et al. D26/63

D403,455 S * 12/1998 Duennes D26/50
D449,398 S * 10/2001 Tsao D26/63

* cited by examiner

Primary Examiner—Clare E Heflin

(74) *Attorney, Agent, or Firm*—Troxell Law Office, PLLC

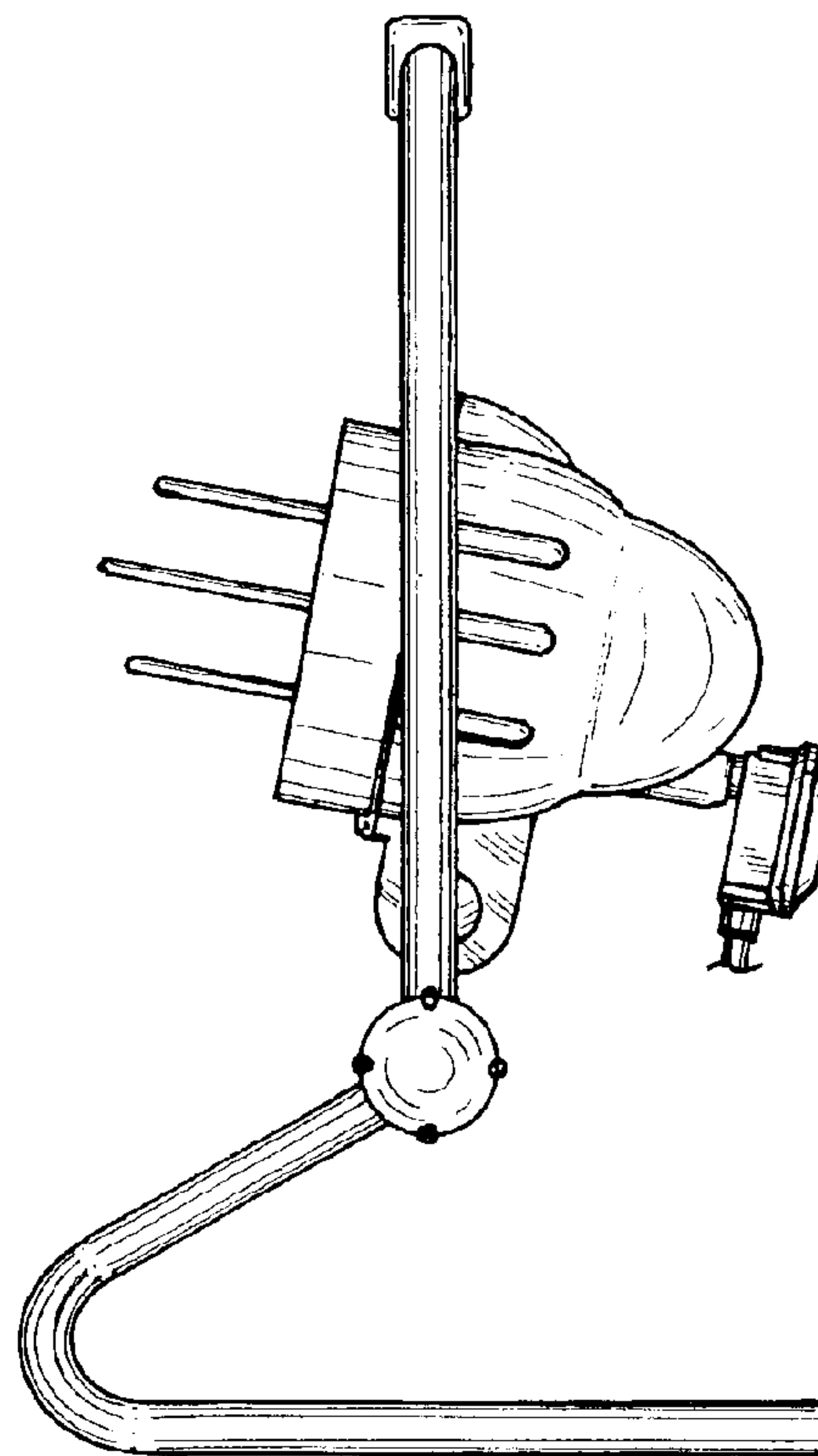
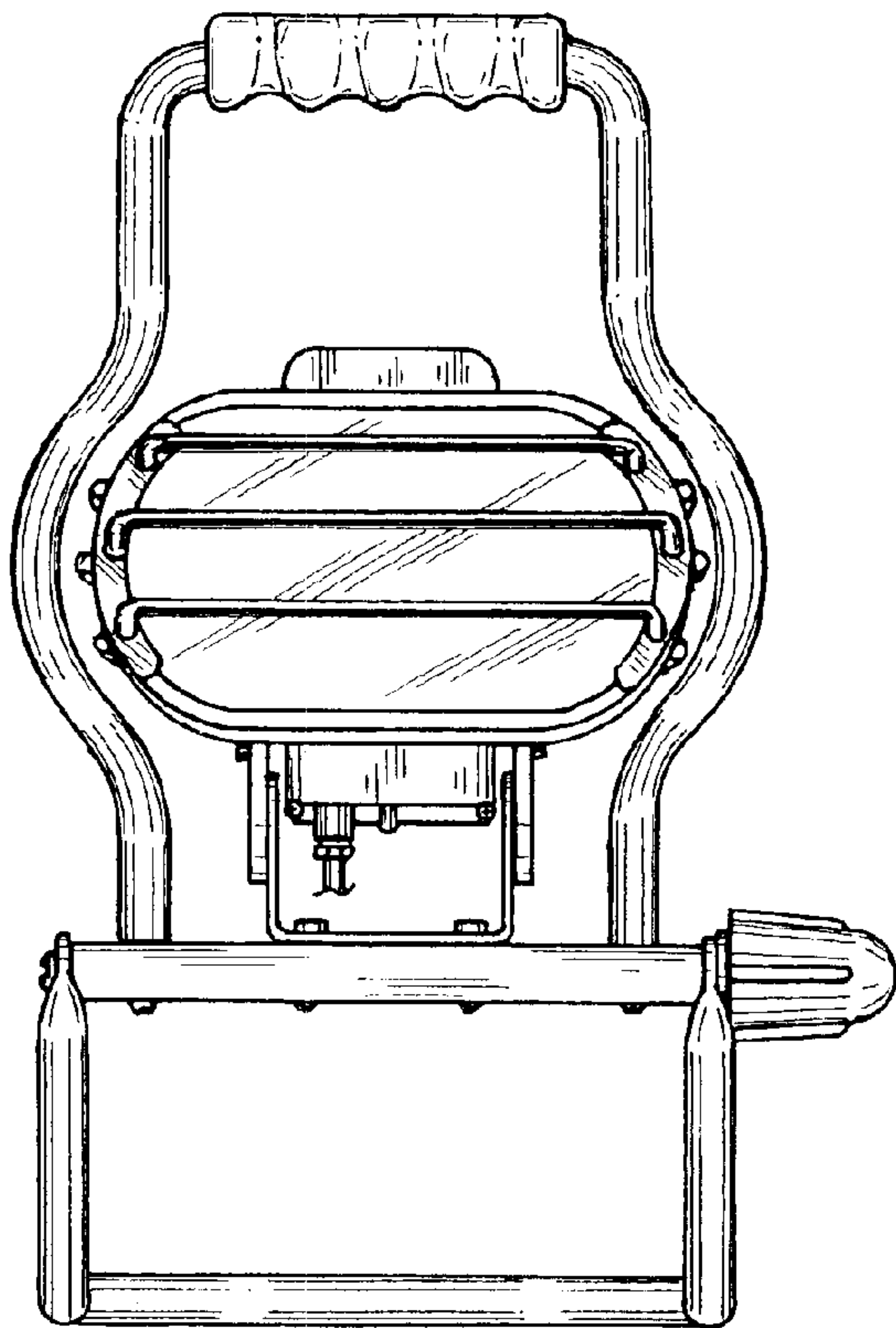
(57) **CLAIM**

The ornamental design for a work light, as shown and described.

DESCRIPTION

FIG. 1 is a front view of a work light showing of my new design;
FIG. 2 is a right side elevational view thereof;
FIG. 3 is a top view thereof;
FIG. 4 is a bottom view thereof;
FIG. 5 is a left side view thereof; and,
FIG. 6 is a rear view thereof.

1 Claim, 3 Drawing Sheets



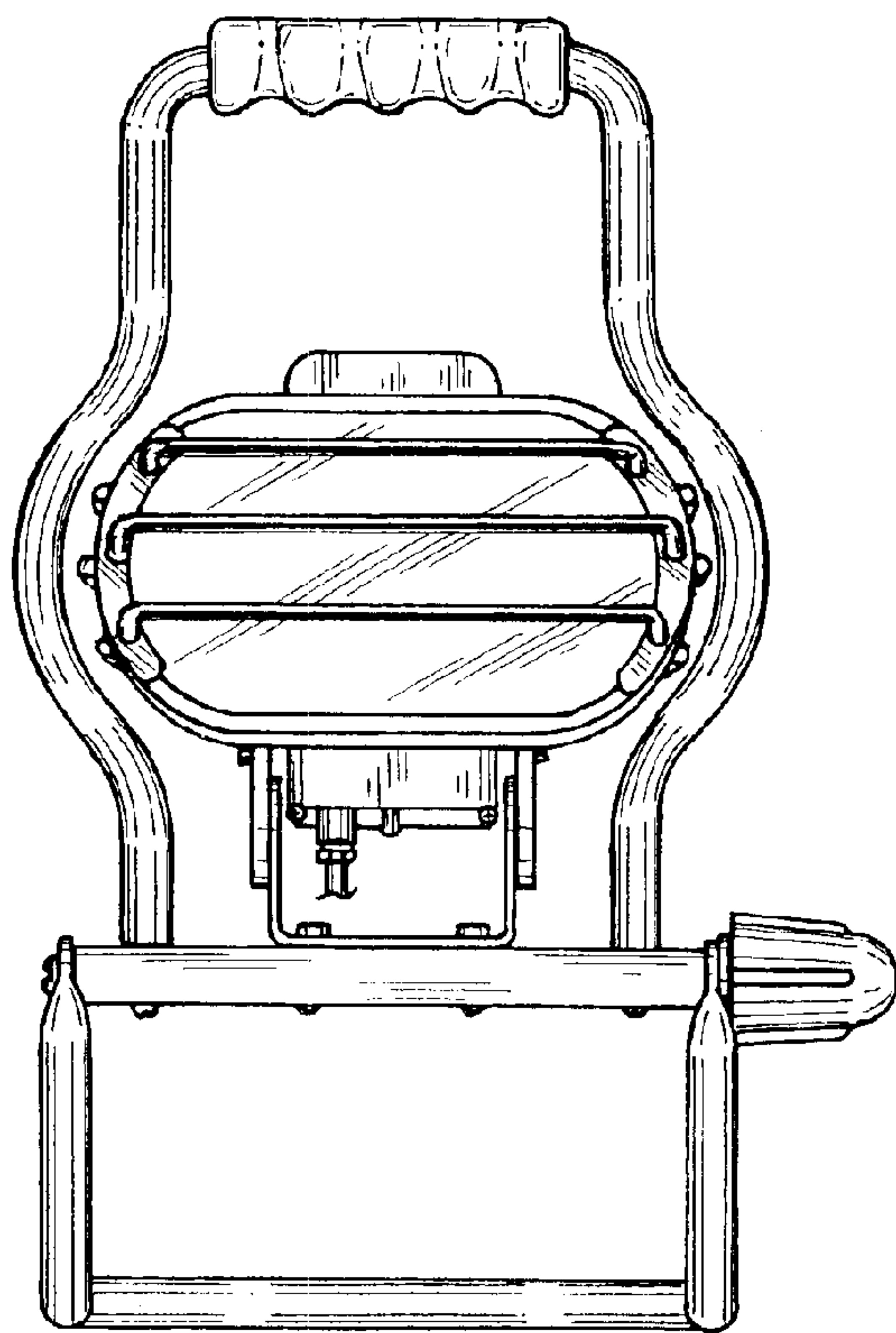


FIG. 1

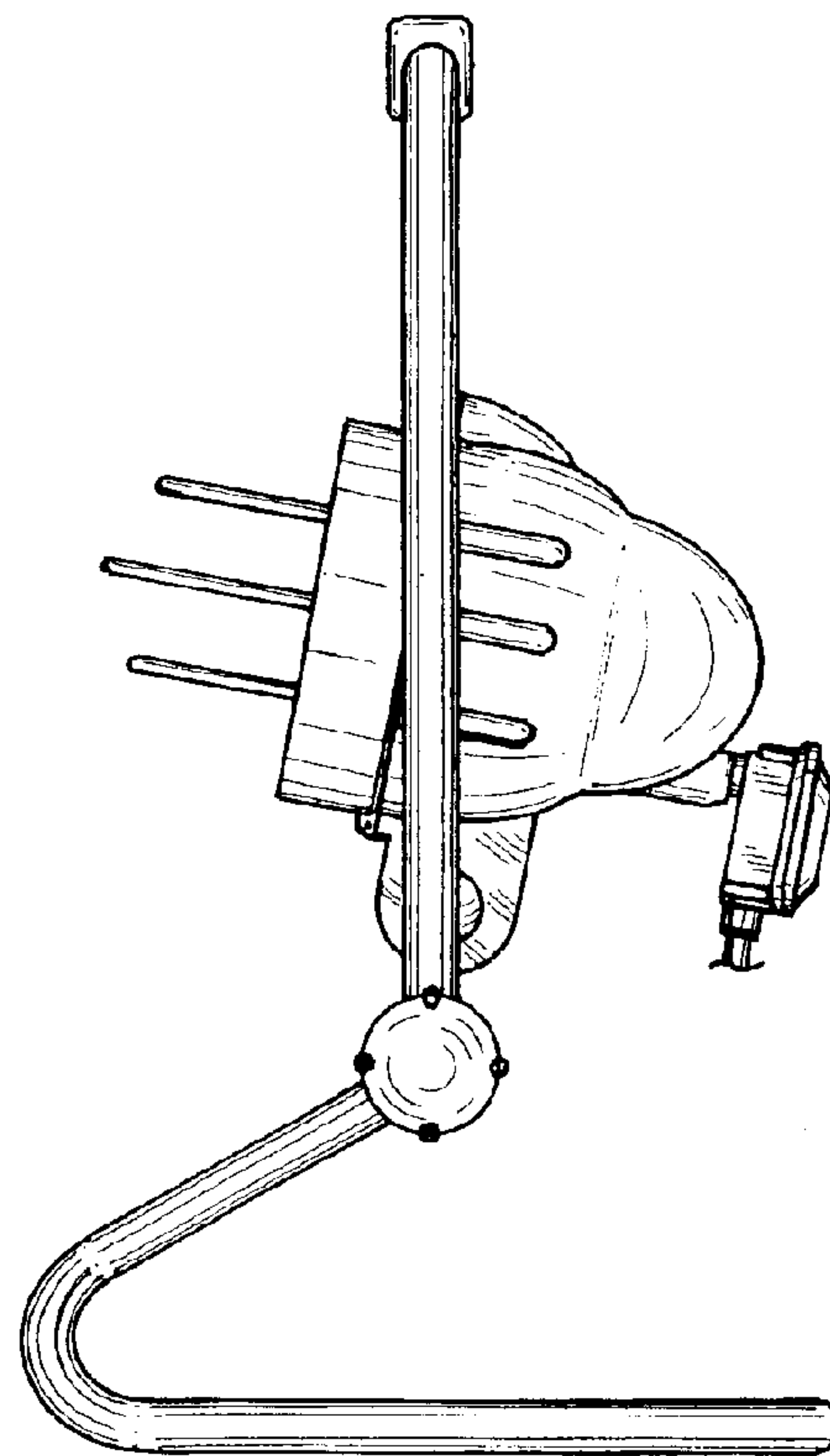


FIG. 2

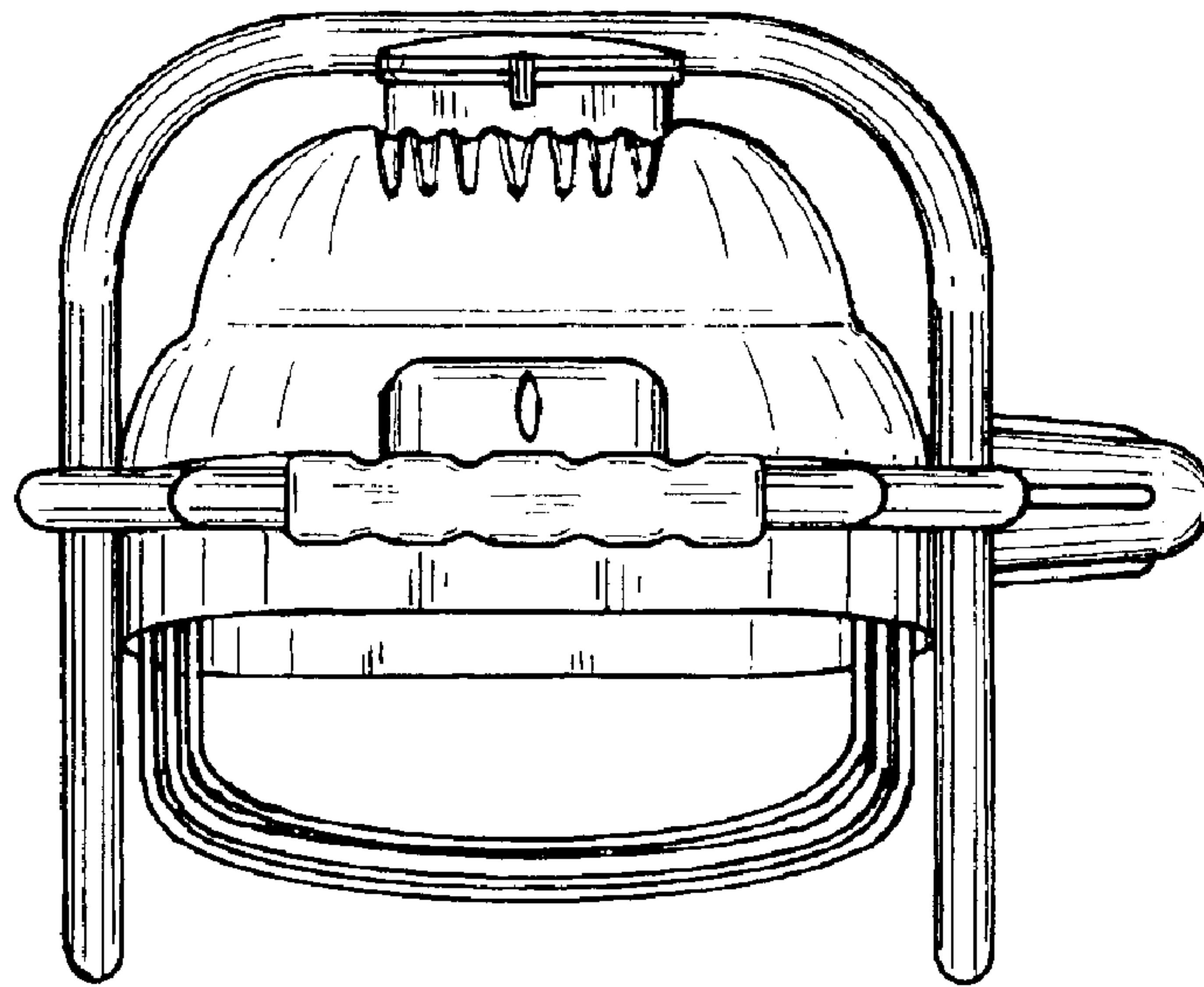


FIG. 3

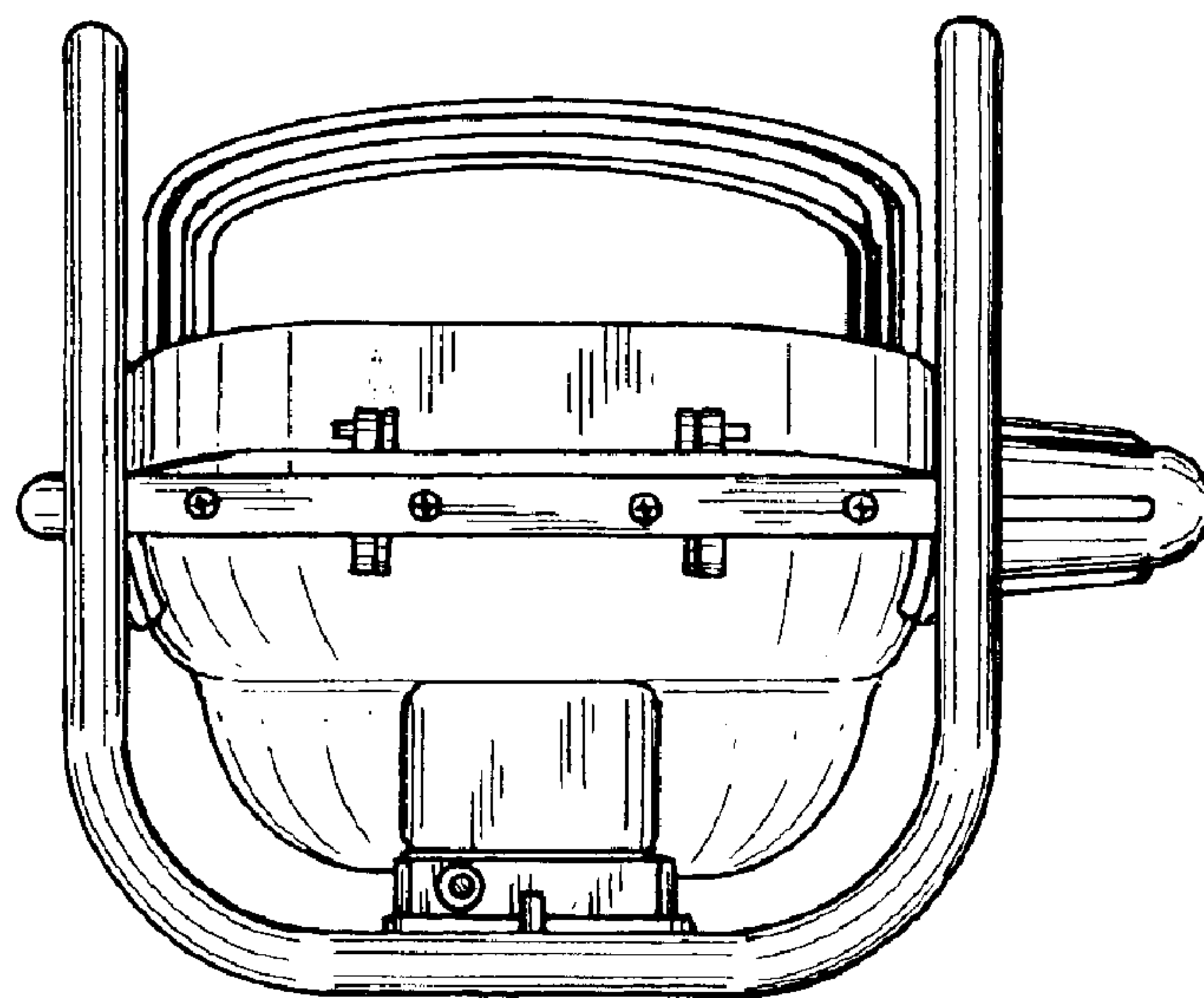


FIG. 4

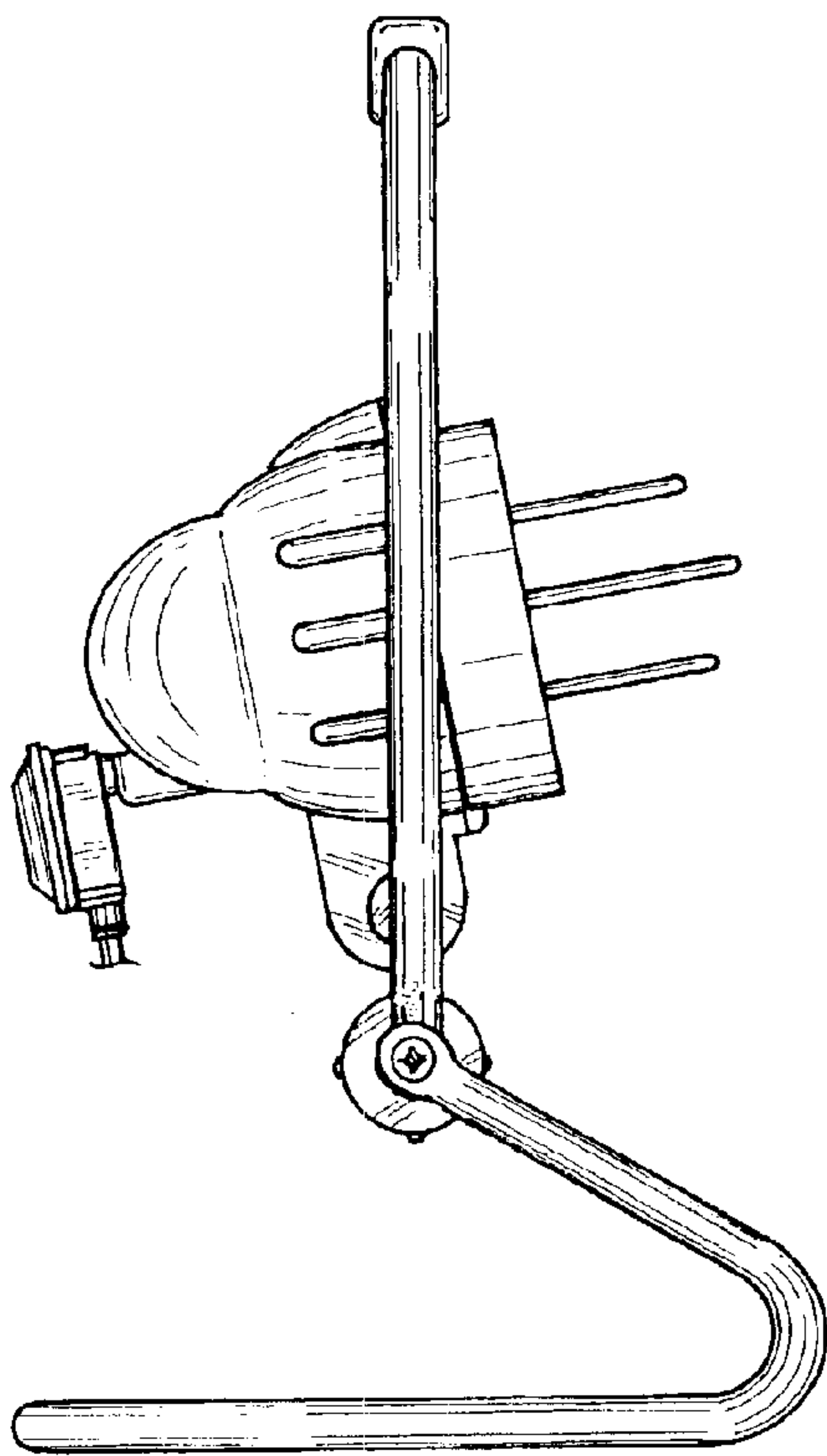


FIG. 5

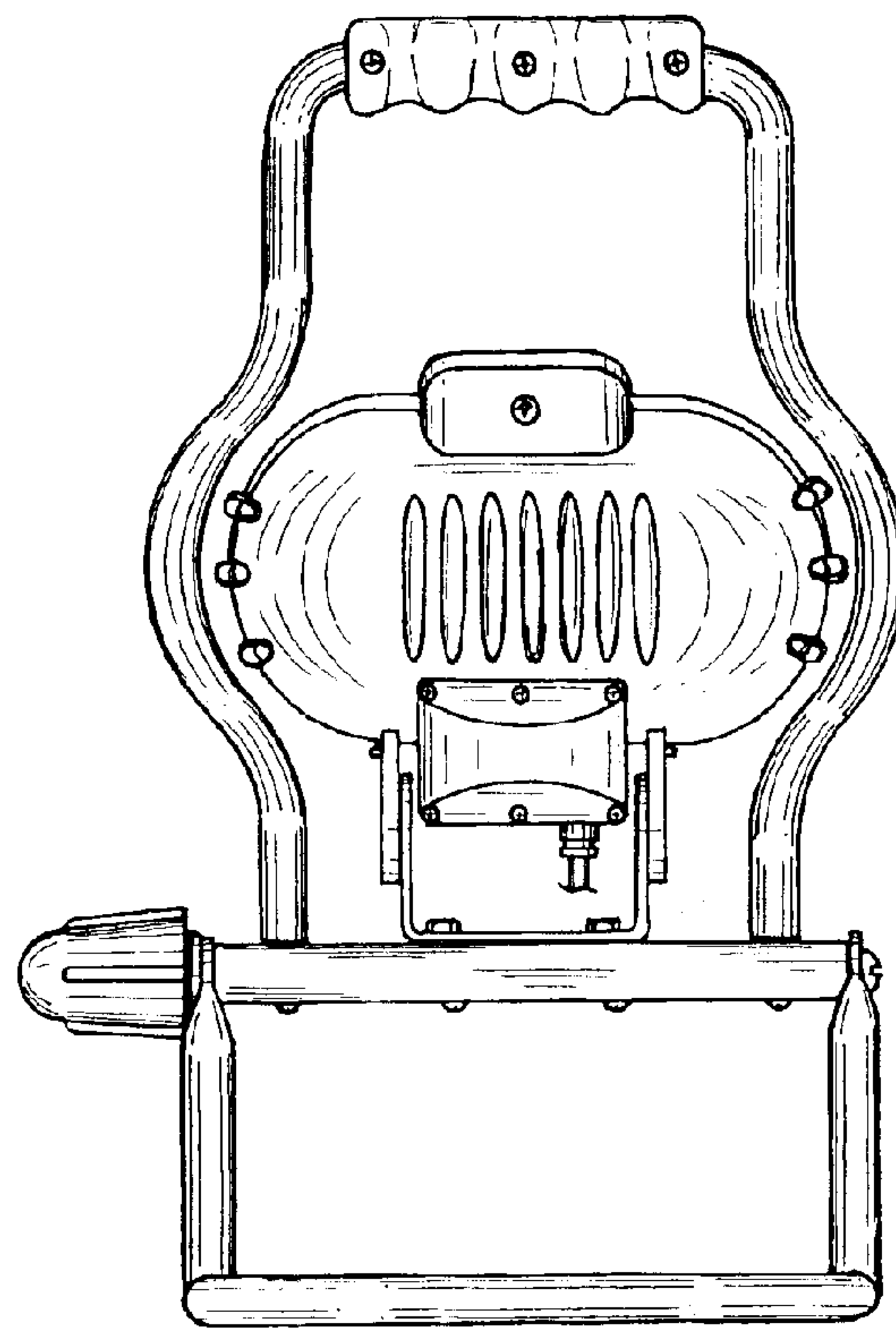


FIG. 6