

US00D505219S

(12) **United States Design Patent**
Jacquelin

(10) **Patent No.:** **US D505,219 S**

(45) **Date of Patent:** **** May 17, 2005**

(54) **MAGNIFYING LAMP HEAD**

(76) **Inventor:** **Patrick Henri Jacquelin**, Flat A, 50
Redcliffe Gardens, London (GB), SW10
9HB

(**) **Term:** **14 Years**

(21) **Appl. No.:** **29/187,620**

(22) **Filed:** **Aug. 5, 2003**

(51) **LOC (7) Cl.** **26-05**

(52) **U.S. Cl.** **D26/51; D26/61**

(58) **Field of Search** D26/51, 56, 61,
D26/63, 65; D16/135; 362/275, 287, 401,
402, 410, 413, 414, 419, 427, 251

(56) **References Cited**

U.S. PATENT DOCUMENTS

- D200,549 S * 3/1965 Nunn, Jr. D10/114
- D213,530 S * 3/1969 Kahn D26/36
- D334,759 S * 4/1993 Meyer et al. D16/135

- 5,613,771 A * 3/1997 Siverling 362/401
- D382,577 S * 8/1997 Waldmann D16/135
- D448,782 S * 10/2001 Wright D16/135

* cited by examiner

Primary Examiner—Clare E Heflin

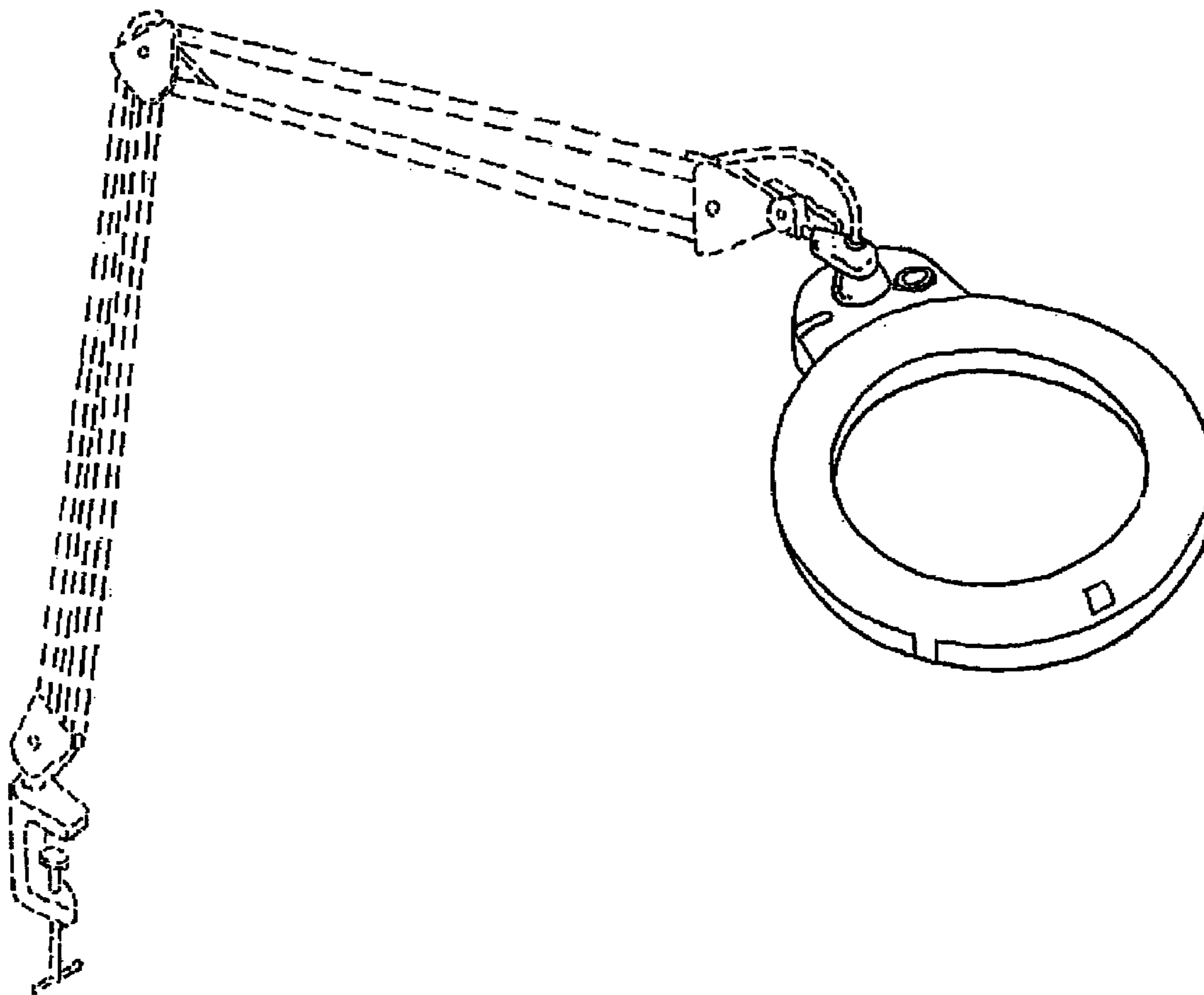
(57) **CLAIM**

I claim the ornamental design for the magnifying lamp head,
as shown and described.

DESCRIPTION

FIG. 1 is a perspective view of the magnifying lamp head showing my new design;
 FIG. 2 is a left side elevation view thereof (The right side being symmetrical to this);
 FIG. 3 is a top plan view thereof; and,
 FIG. 4 is a front elevation view thereof.
 The broken lines shown on the drawings are for illustrative purposes only and form no part of the claimed design.

1 Claim, 4 Drawing Sheets



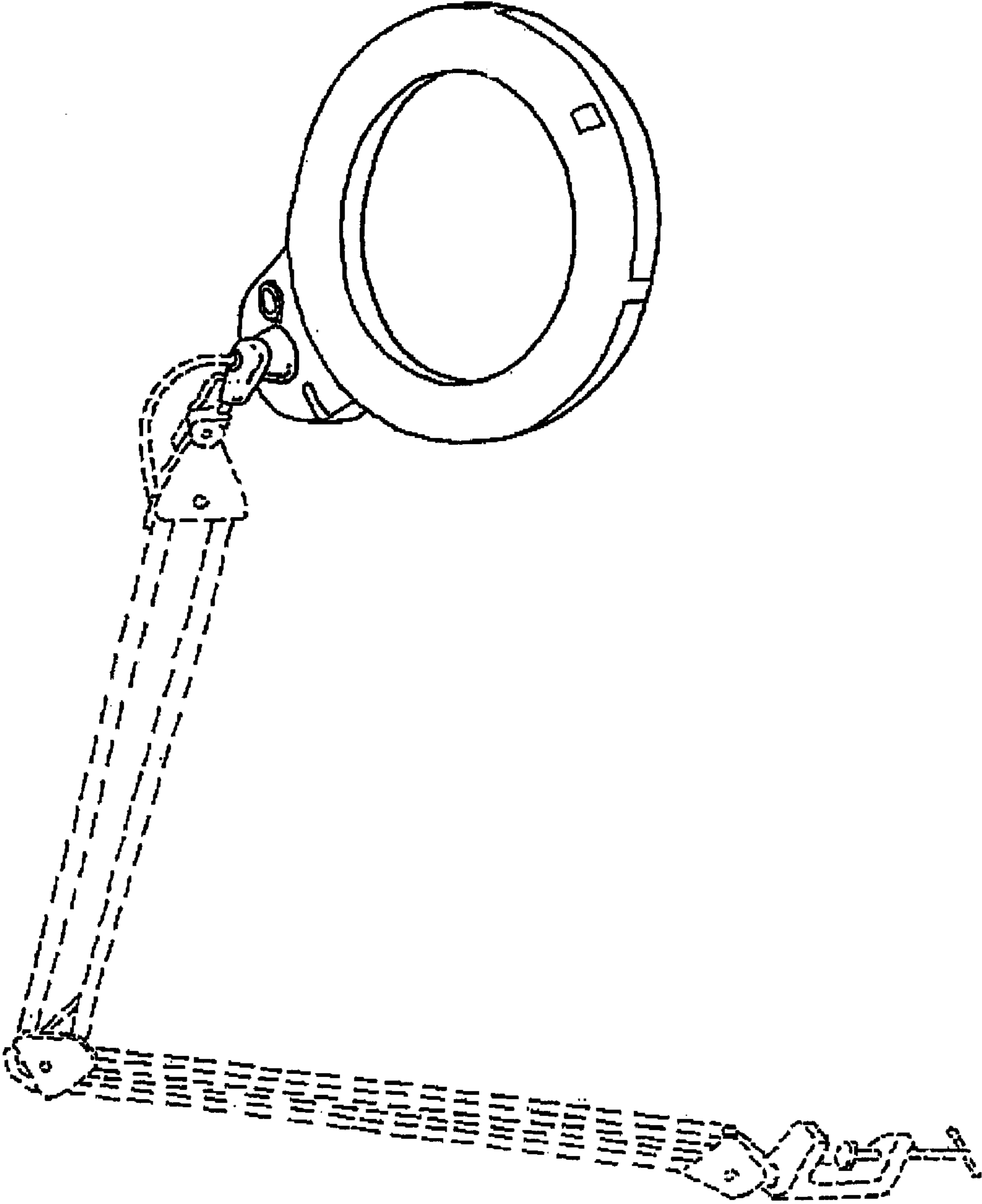


Fig.1

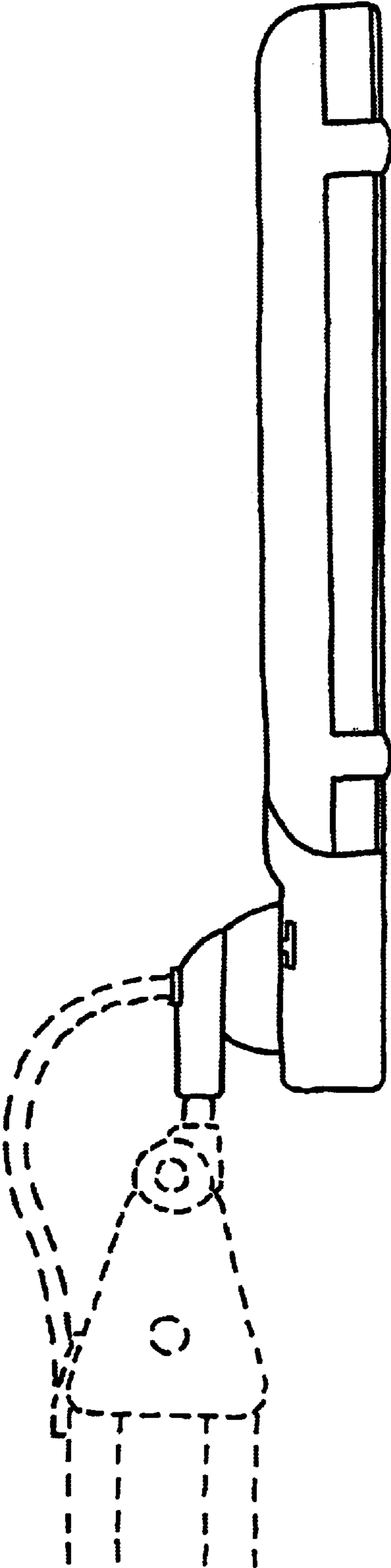


Fig.2

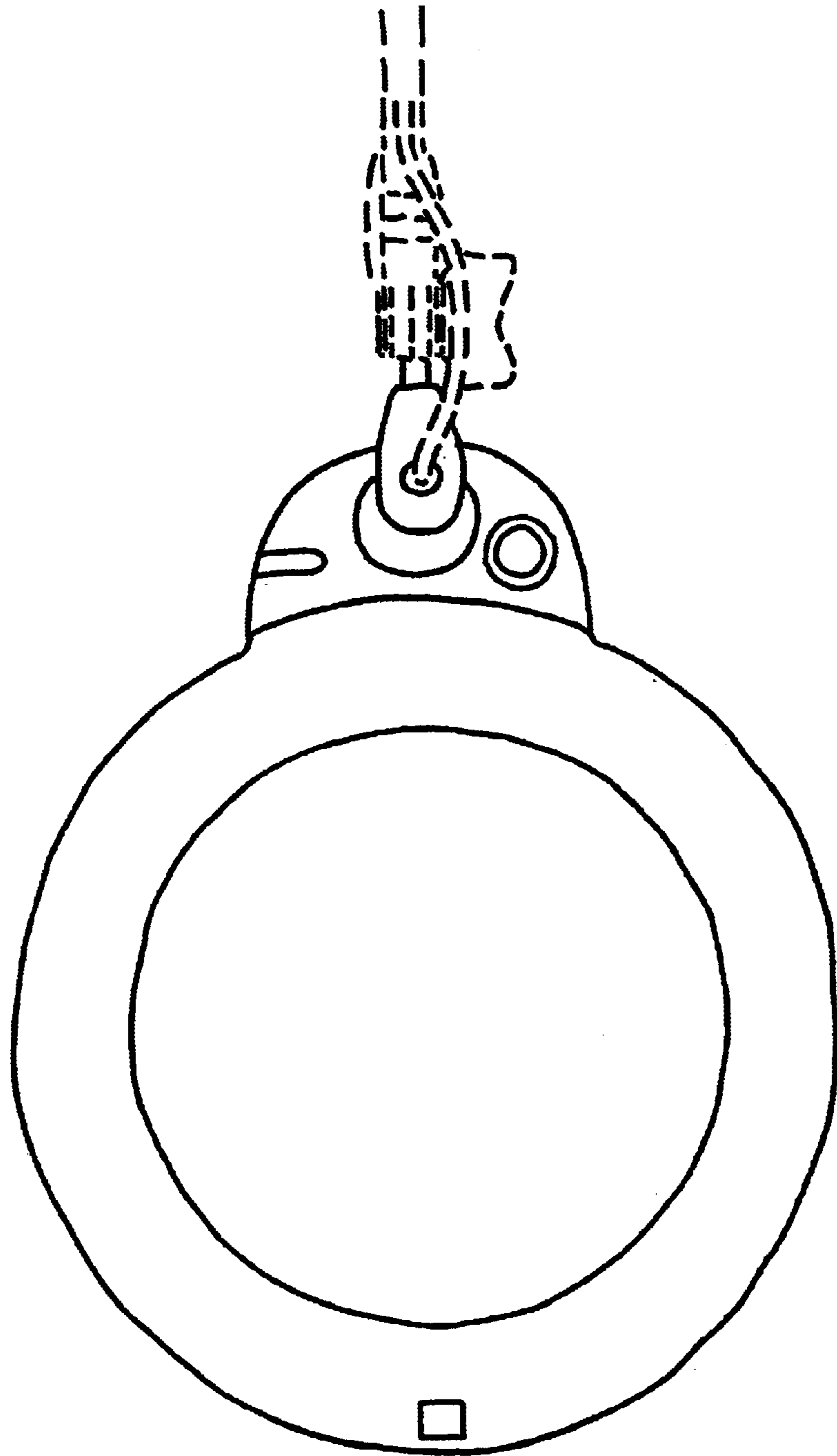


Fig.3

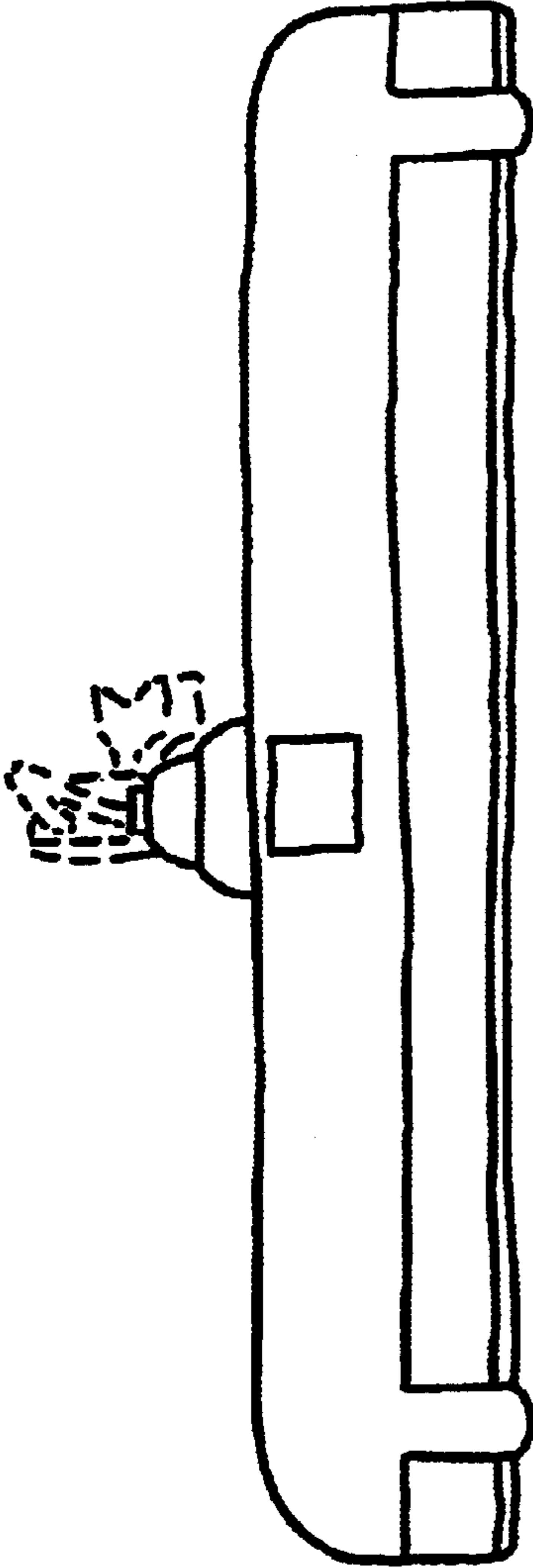


Fig.4