

US00D505217S

(12) **United States Design Patent**  
**Bayat et al.**

(10) **Patent No.:** **US D505,217 S**  
(45) **Date of Patent:** **\*\* May 17, 2005**

(54) **RECHARGEABLE LED TASK LAMP**

(75) Inventors: **Bijan Bayat**, Dallas, TX (US); **James Newton**, Dallas, TX (US)

(73) Assignee: **Bayco Products, Inc.**, Plano, TX (US)

(\*\*) Term: **14 Years**

(21) Appl. No.: **29/211,601**

(22) Filed: **Aug. 18, 2004**

(51) **LOC (7) Cl.** ..... **26-02**

(52) **U.S. Cl.** ..... **D26/42**

(58) **Field of Search** ..... D26/37-50; 362/157,  
362/158, 171-174, 183-208

(56) **References Cited**

**U.S. PATENT DOCUMENTS**

D335,756 S	*	5/1993	Gaynor	.....	D26/42
D393,915 S	*	4/1998	Yuen	.....	D26/42
D409,776 S	*	5/1999	Ghode et al.	.....	D26/42
D414,576 S	*	9/1999	Yuen	.....	D26/42
D441,888 S	*	5/2001	Haneda et al.	.....	D26/42

\* cited by examiner

*Primary Examiner*—Marcus A. Jackson

(74) *Attorney, Agent, or Firm*—Stephen S. Mosher

(57) **CLAIM**

The ornamental design for a rechargeable LED task lamp, as shown and described.

**DESCRIPTION**

FIG. 1 is a first perspective view of a rechargeable LED task lamp;

FIG. 2 is a front view of the rechargeable LED task lamp;

FIG. 3 is a top view of the rechargeable LED task lamp;

FIG. 4 is a bottom view of the rechargeable LED task lamp;

FIG. 5 is a back view of the rechargeable LED task lamp;

FIG. 6 is a first side view of the rechargeable LED task lamp;

FIG. 7 is a second side view of the rechargeable LED task lamp; and,

FIG. 8 is a perspective view of the a second embodiment of

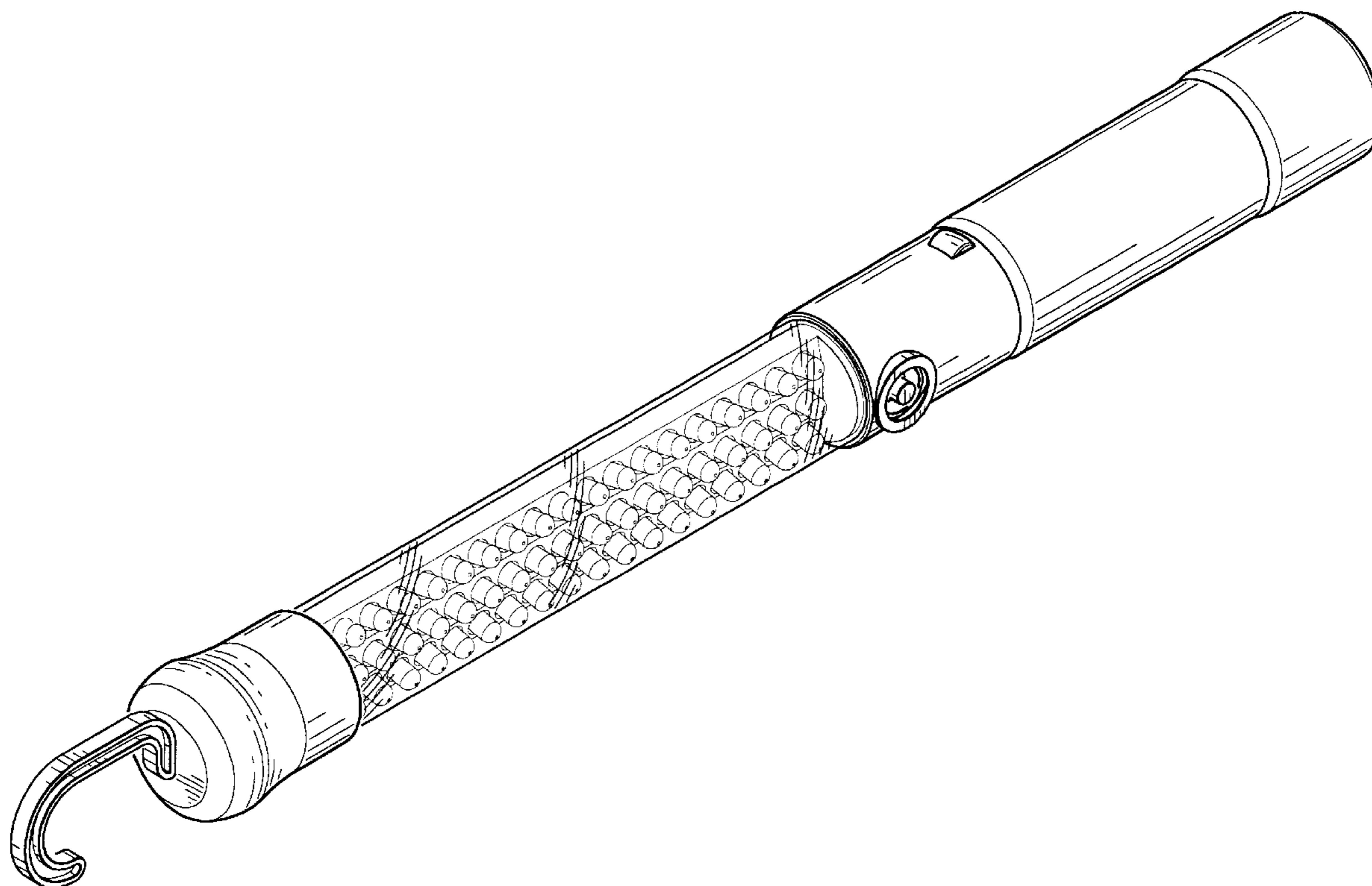
FIG. 1, the only difference being the length of the illuminating

portion of the rechargeable LED task lamp, it being understood

that all other surfaces are the same as those of the first

embodiment shown in FIG. 1.

**1 Claim, 2 Drawing Sheets**



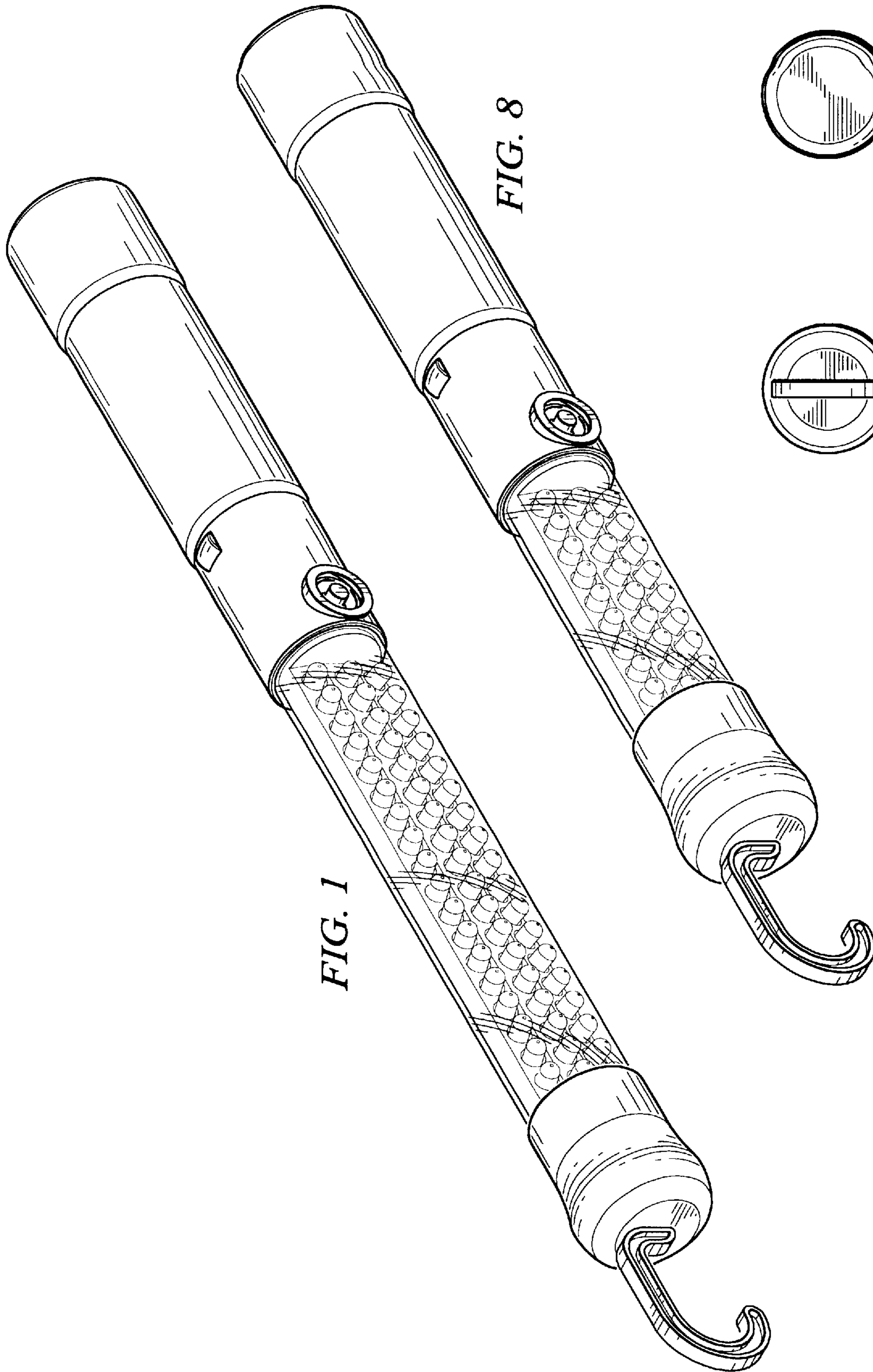


FIG. 1

FIG. 8

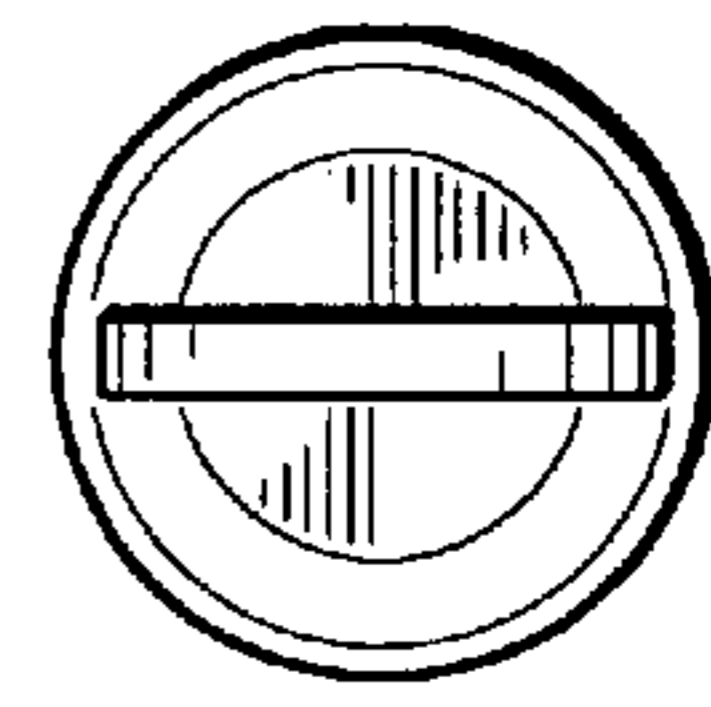


FIG. 3

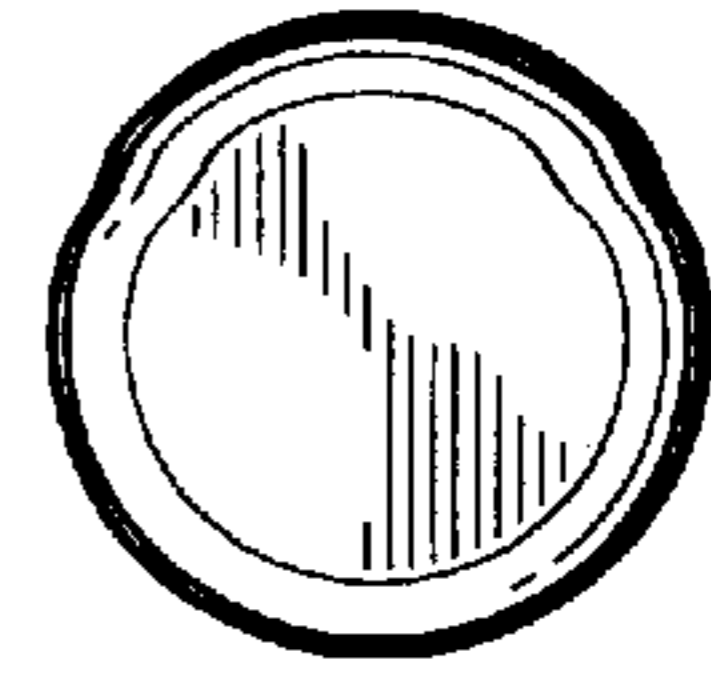


FIG. 4

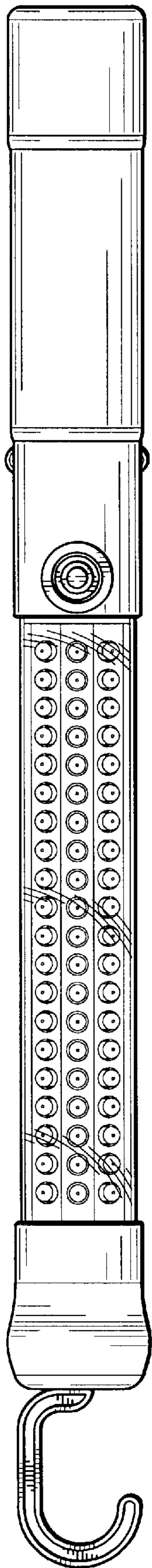


FIG. 2

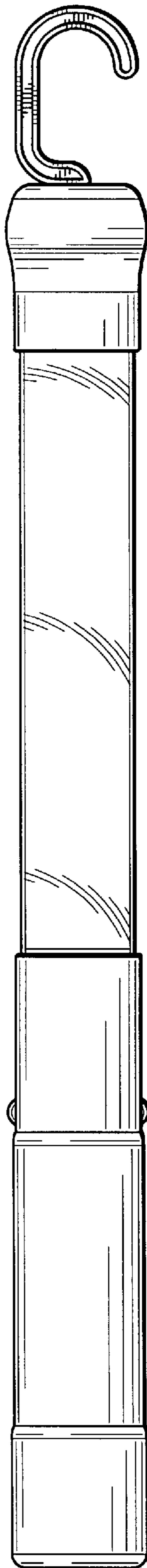


FIG. 5

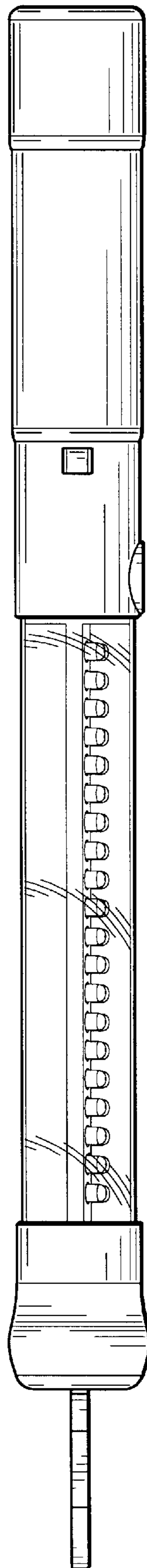


FIG. 6

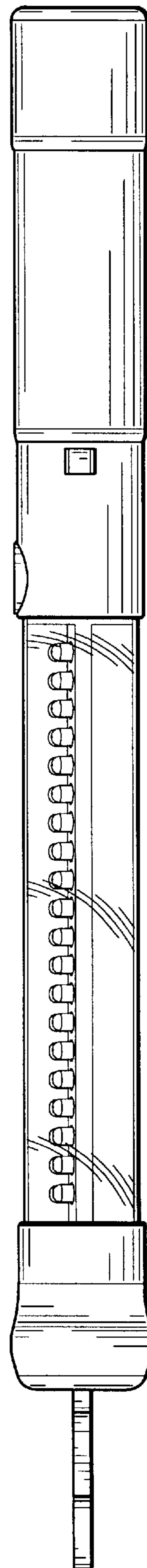


FIG. 7